



US00D626632S

(12) **United States Design Patent**
Hanna et al.

(10) **Patent No.:** **US D626,632 S**
(45) **Date of Patent:** **** Nov. 2, 2010**

(54) **PLUMBING FITTING**

(75) Inventors: **Ken S. Hanna**, Adell, WI (US); **Herbert V. Kohler, Jr.**, Kohler, WI (US)

(73) Assignee: **Kohler Co.**, Kohler, WI (US)

(**) Term: **14 Years**

(21) Appl. No.: **29/350,460**

(22) Filed: **Nov. 17, 2009**

(51) **LOC (9) Cl.** **23-01**

(52) **U.S. Cl.** **D23/254**

(58) **Field of Classification Search** D23/238–243,
D23/250, 252, 254; 4/676–677; D8/350–353,
D8/308; 137/350–353

See application file for complete search history.

(56) **References Cited**

U.S. PATENT DOCUMENTS

D494,254 S * 8/2004 Citterio D23/245
D536,065 S 1/2007 Wang

OTHER PUBLICATIONS

- Danze. Shower Mixer. Danze.com online.
- Danze. Shower Mixer. Danze.com online.
- Dornbracht. “Lulu”. Single lever lavatory and single lever vessel tall (and alternative configurations).
- Dornbracht. “MEM”. Single lever lavatory and alternative configurations.
- Hansgrohe. “Massaud”. Single control and widespread.
- Hansgrohe. “Axor Starck”. Lav mixer and sheet flow spout.
- Zuchetti Aguablu. zut.za5432 ws and alternative configurations.
- Jado. “Glance”. Single control lav and widespread.
- Danze. “Sirius” lavatory (various configurations).
- Lacava. “Waterblade” single control lav (various configurations).
- Newform. “E-go-n” lavatory (various configurations).
- Newform. “Base” lavatory.
- Hastings. “Fantini+Riviera Ribbon” widespread sink faucet.
- Dornbracht. “Tara”. Single control lav and widespread valve (and various configurations).
- Grohe. “Allure”. Lavatory with various configurations.
- Grohe. “Lineare”. Lavatory.

- Hansgrohe. “Axor Citterio M”. Single-hole faucet and widespread.
- Hansgrohe. “Axor Citterio”. Lav mixer and widespread.
- Toto. “Lloyd”. Widespread lavatory faucet.
- Toto. “Soiree”. Widespread lavatory faucet.
- Toto. “Renesse”. Single control and widespread lav (various configurations).
- Zucchetti. “Soft” lavatory.
- Zucchetti. “Wosh” lavatory.
- Delta. “Urban Collection—Arzo”. Single Control and widespread faucets.
- Gessi Rettangolo. Lavatories with various configurations.
- Moen Showhouse. “Level”. Single control and widespread configurations.

(Continued)

Primary Examiner—Robert A Delehanty
(74) *Attorney, Agent, or Firm*—Quarles & Brady LLP

(57) **CLAIM**

The ornamental design for a plumbing fitting, as shown and described.

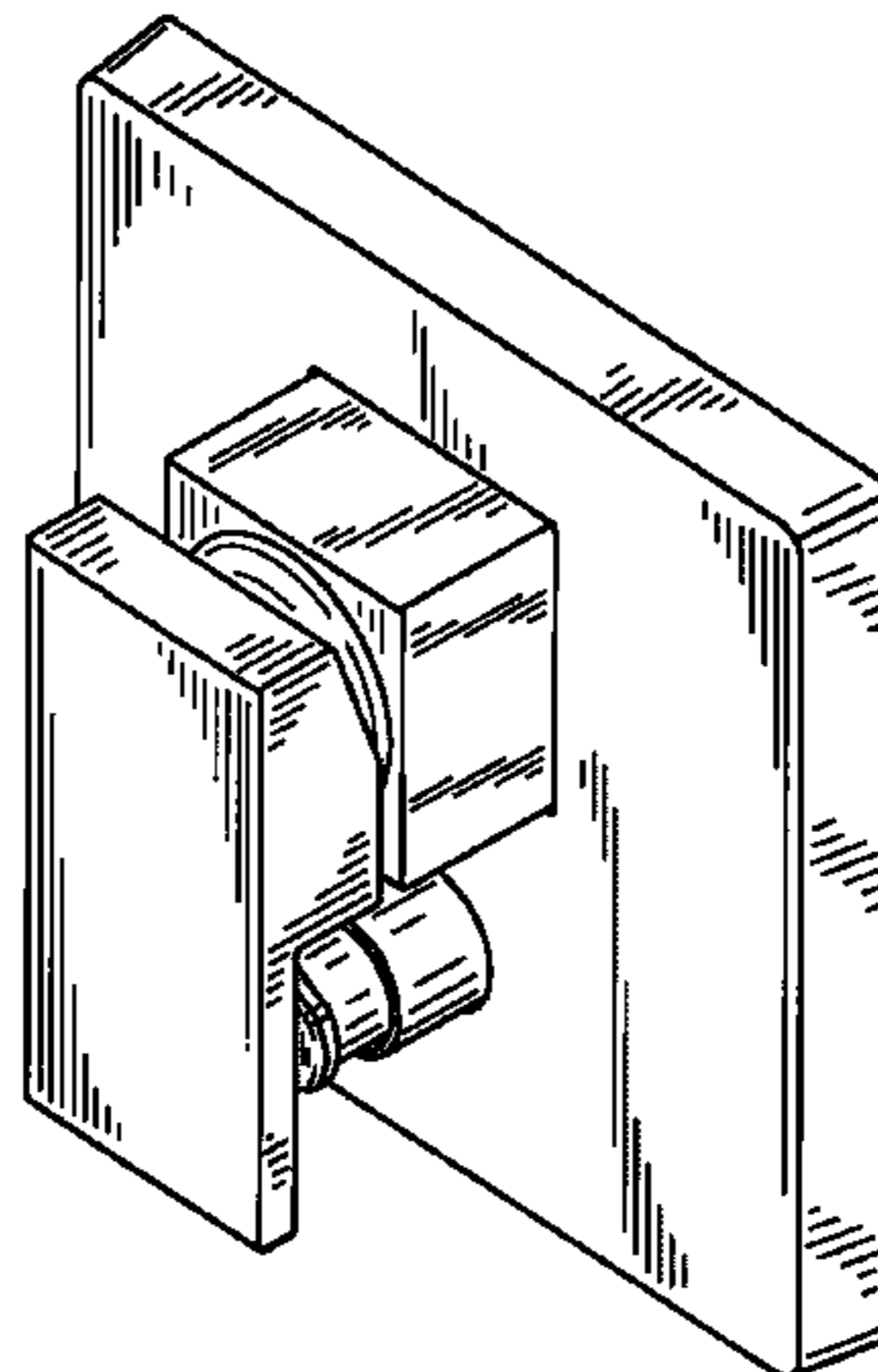
DESCRIPTION

- FIG. 1 is a right, top, front perspective view of a plumbing fitting according to our new design;
- FIG. 2 is a front elevational view thereof;
- FIG. 3 is a right side elevational view thereof;
- FIG. 4 is a left side elevational view thereof;
- FIG. 5 is a top plan view thereof;
- FIG. 6 is a bottom plan view thereof; and,
- FIG. 7 is a rear elevational view thereof.

The broken line representations in the figures are for the purpose of illustration only, and form no part of the claimed design.

In a preferred embodiment, the nature of this product is a plumbing fitting, such as a shower and/or bath control.

1 Claim, 5 Drawing Sheets



OTHER PUBLICATIONS

Moen Showhouse. "Destiny". Single Control lavatory.

Moen Showhouse. "Solace". Single and widespread lavatories.

KWC. "Qbix / Qbix Art". Lavatories with various configurations.

Brizo. "Loki". Single Control Lavatory.

American Standard. "Moments". Lavatories with various configurations.

Hastings. "Plano". Lavatory.

Newform. Lavatories (various configurations).

Hastings Tile & Bath. "Plano Shower". Hastings TileBath.com online catalog.

Hastings Tile & Bath. "Plano In-Wall". Hastings TileBath.com online catalog.

* cited by examiner

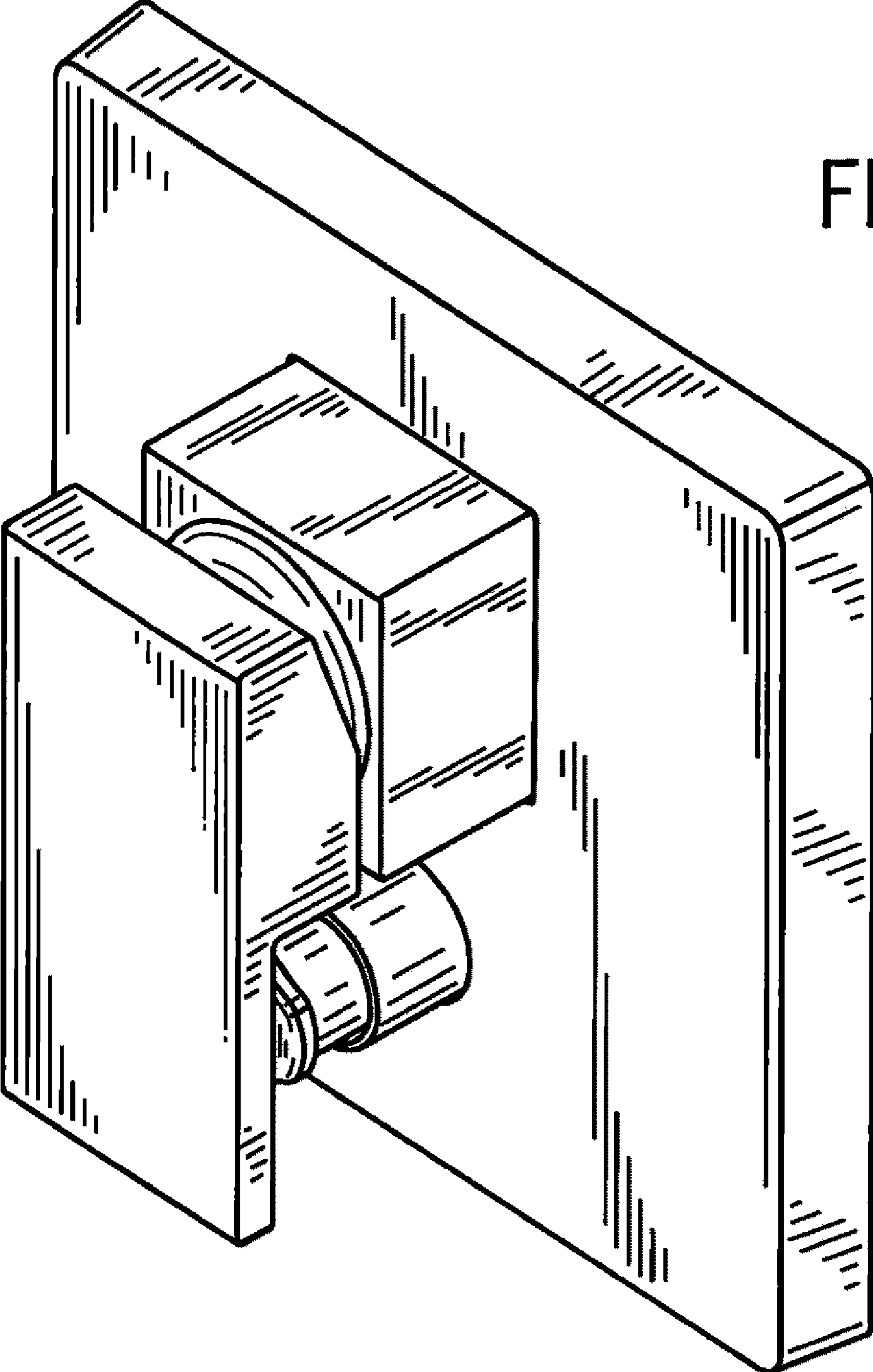


FIG. 1

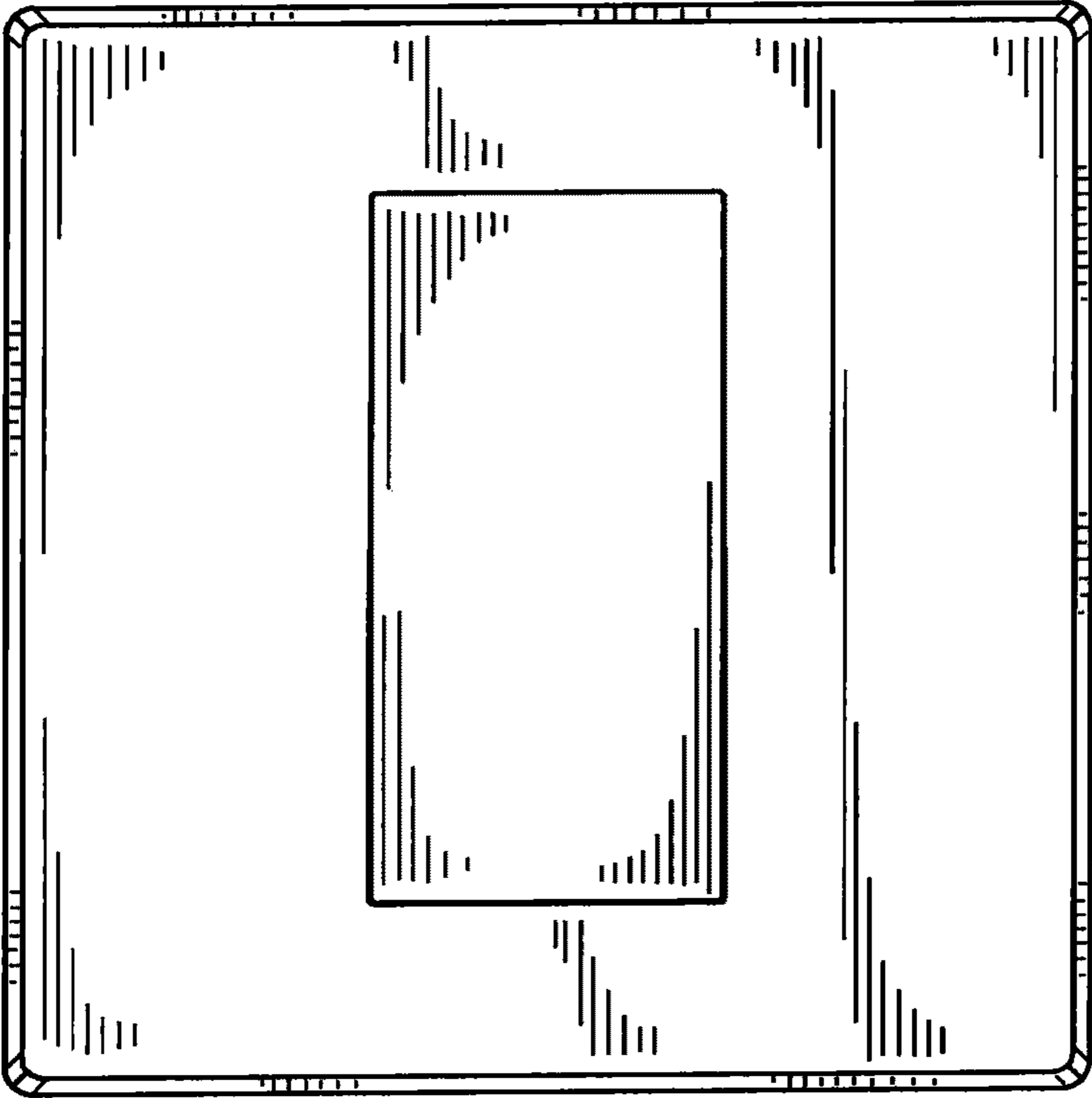


FIG. 2

FIG. 3

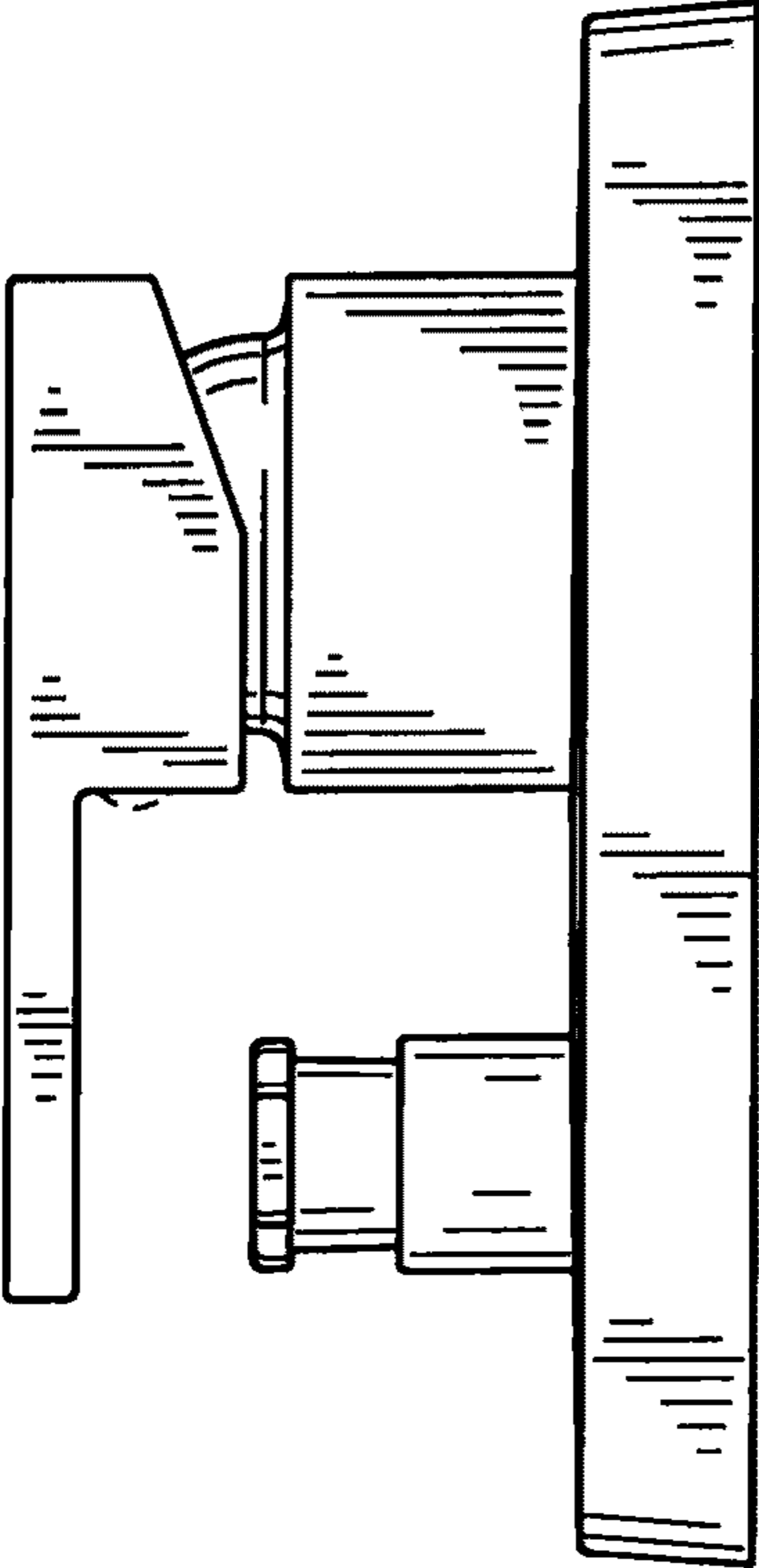
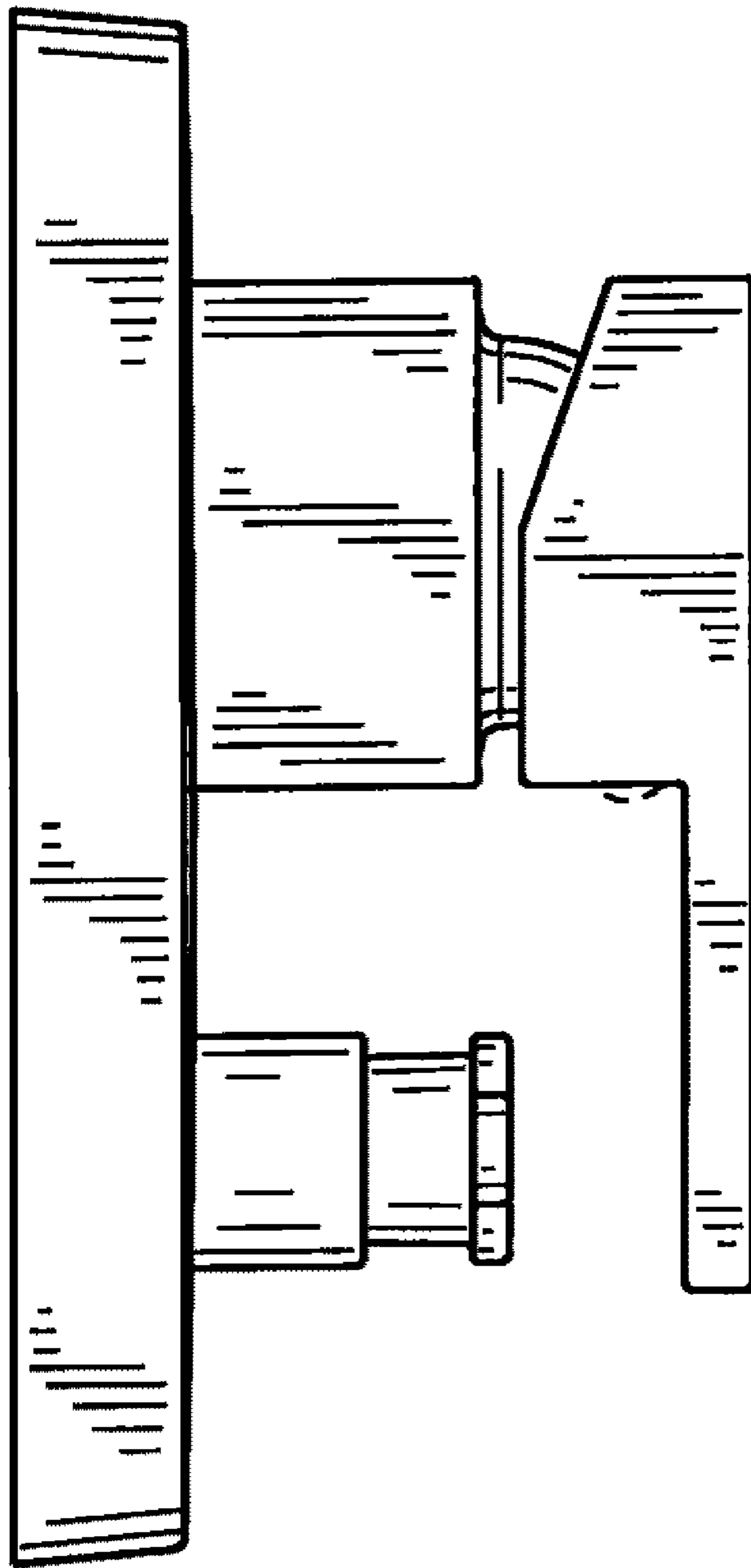


FIG. 4



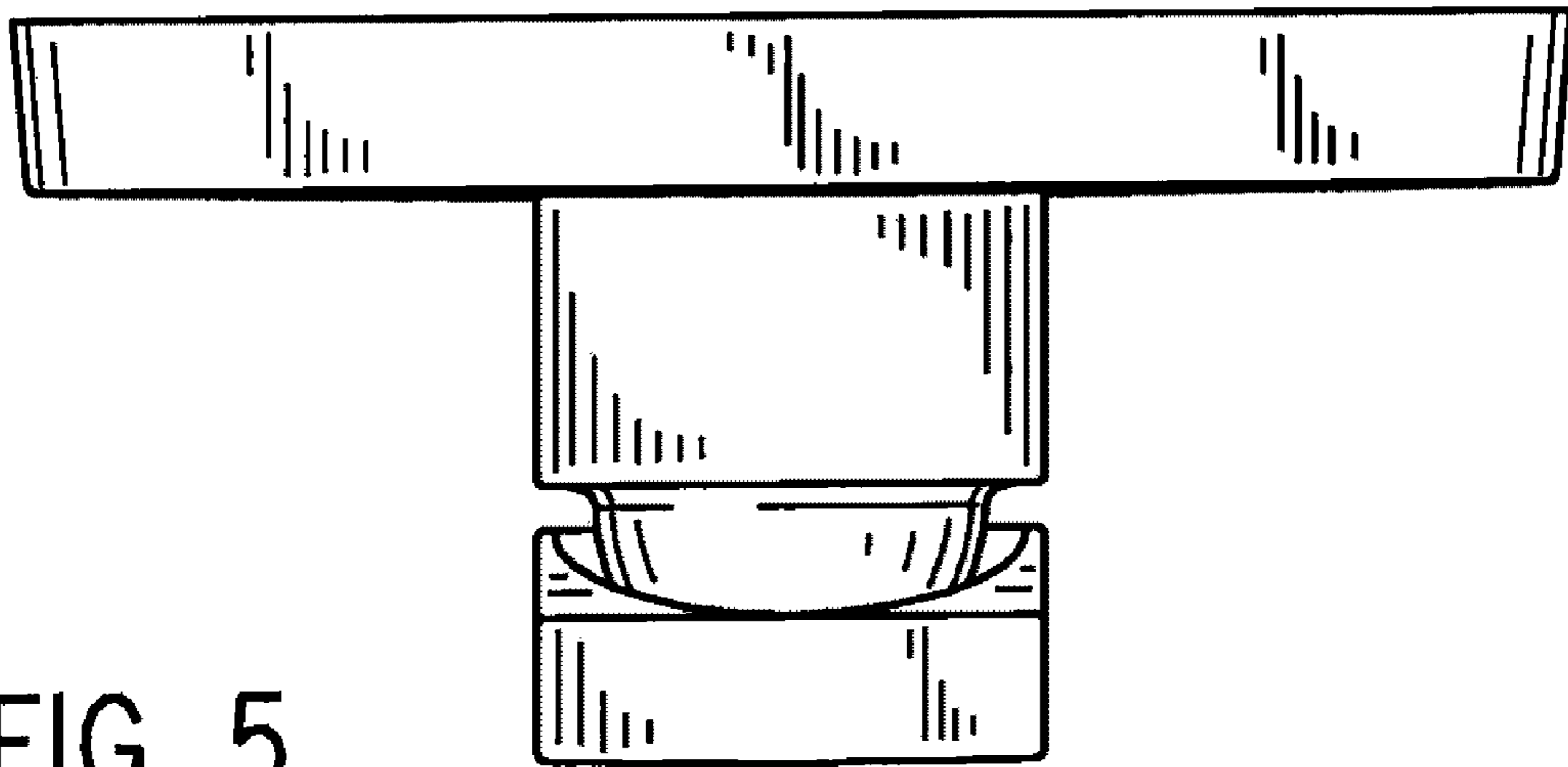
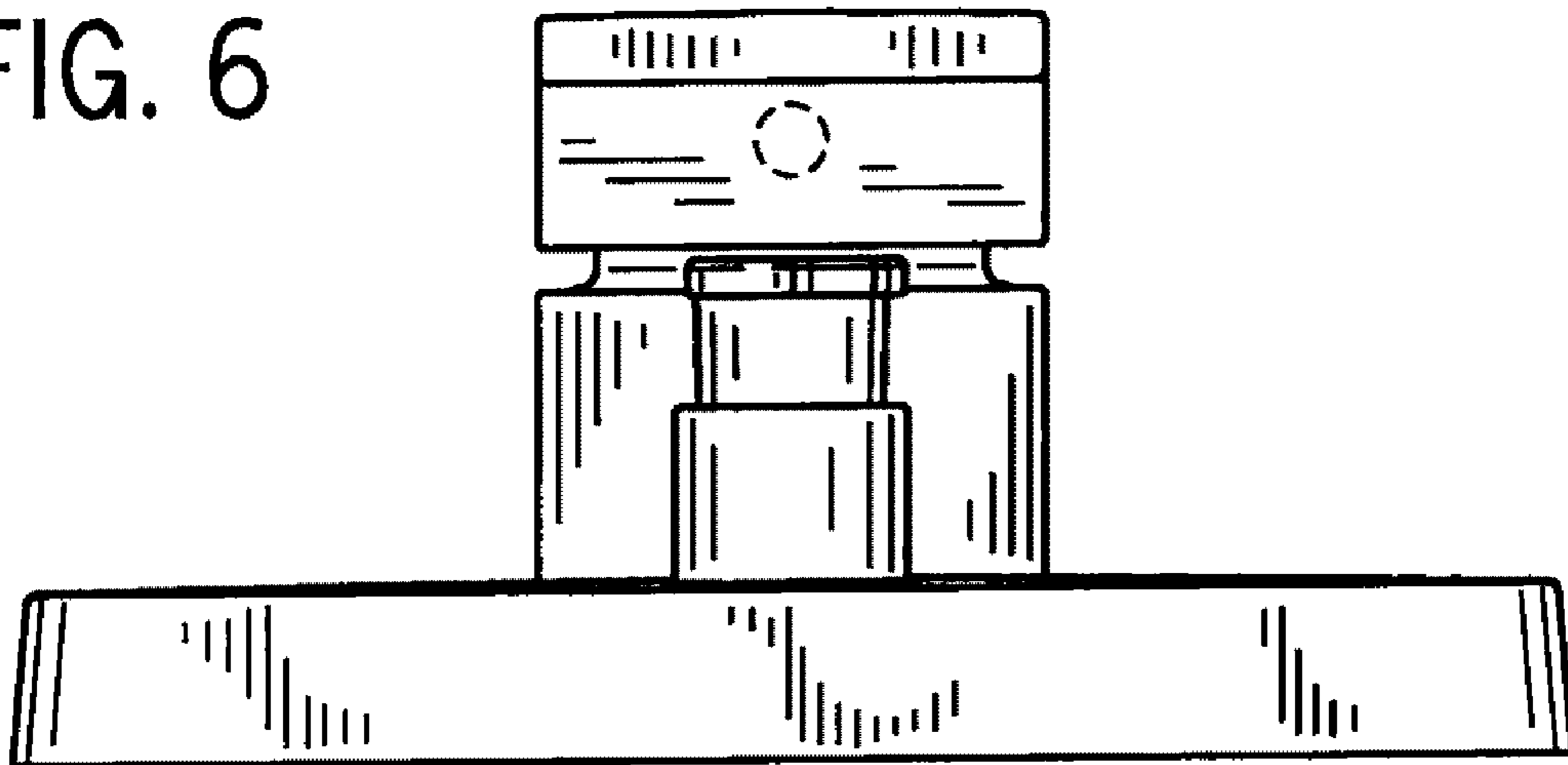


FIG. 5

FIG. 6



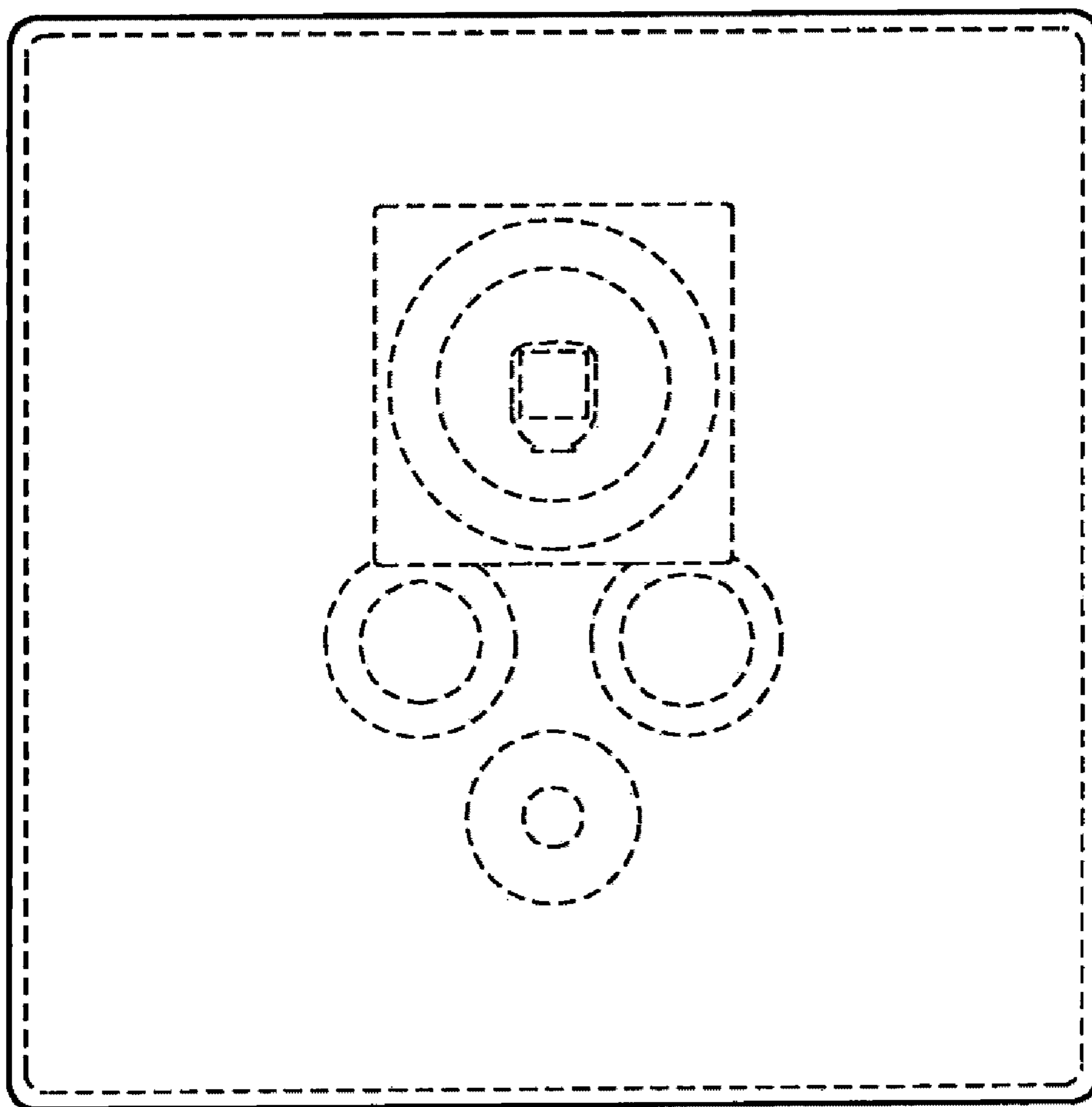


FIG. 7