



US00D626630S

(12) **United States Design Patent**
Wilson et al.

(10) **Patent No.:** **US D626,630 S**

(45) **Date of Patent:** **** Nov. 2, 2010**

(54) **REFILL HEAD**

(75) Inventors: **John R. Wilson**, Naperville, IL (US);
Conrad L. Jahrling, Chicago, IL (US)

(73) Assignee: **Sloan Valve Company**, Franklin Park,
IL (US)

(**) Term: **14 Years**

(21) Appl. No.: **29/320,349**

(22) Filed: **Jun. 25, 2008**

(51) **LOC (9) Cl.** **23-01**

(52) **U.S. Cl.** **D23/249**

(58) **Field of Classification Search** D23/233–237,
D23/244–249; 251/38, 40, 45, 46, 120, 121,
251/123; 138/40, 41, 42, 45, 46
See application file for complete search history.

(56) **References Cited**

U.S. PATENT DOCUMENTS

3,656,499 A * 4/1972 Nelson et al. 137/270
3,791,618 A * 2/1974 Nelson et al. 251/37
4,327,891 A 5/1982 Allen et al.
5,150,877 A * 9/1992 Whiteside et al. 251/40
5,295,655 A 3/1994 Wilson et al.

5,335,694 A * 8/1994 Whiteside 137/625.37
5,649,686 A * 7/1997 Wilson 251/40
5,865,420 A * 2/1999 Wilson 251/40

* cited by examiner

Primary Examiner—Cathron C. Brooks

Assistant Examiner—Maurice Stevens

(74) *Attorney, Agent, or Firm*—Foley & Lardner LLP

(57) **CLAIM**

We claim the ornamental design for a refill head, as shown and described.

DESCRIPTION

FIG. 1 is a top perspective view of a refill head showing our new design;

FIG. 2 is a bottom perspective view thereof;

FIG. 3 is a side view thereof;

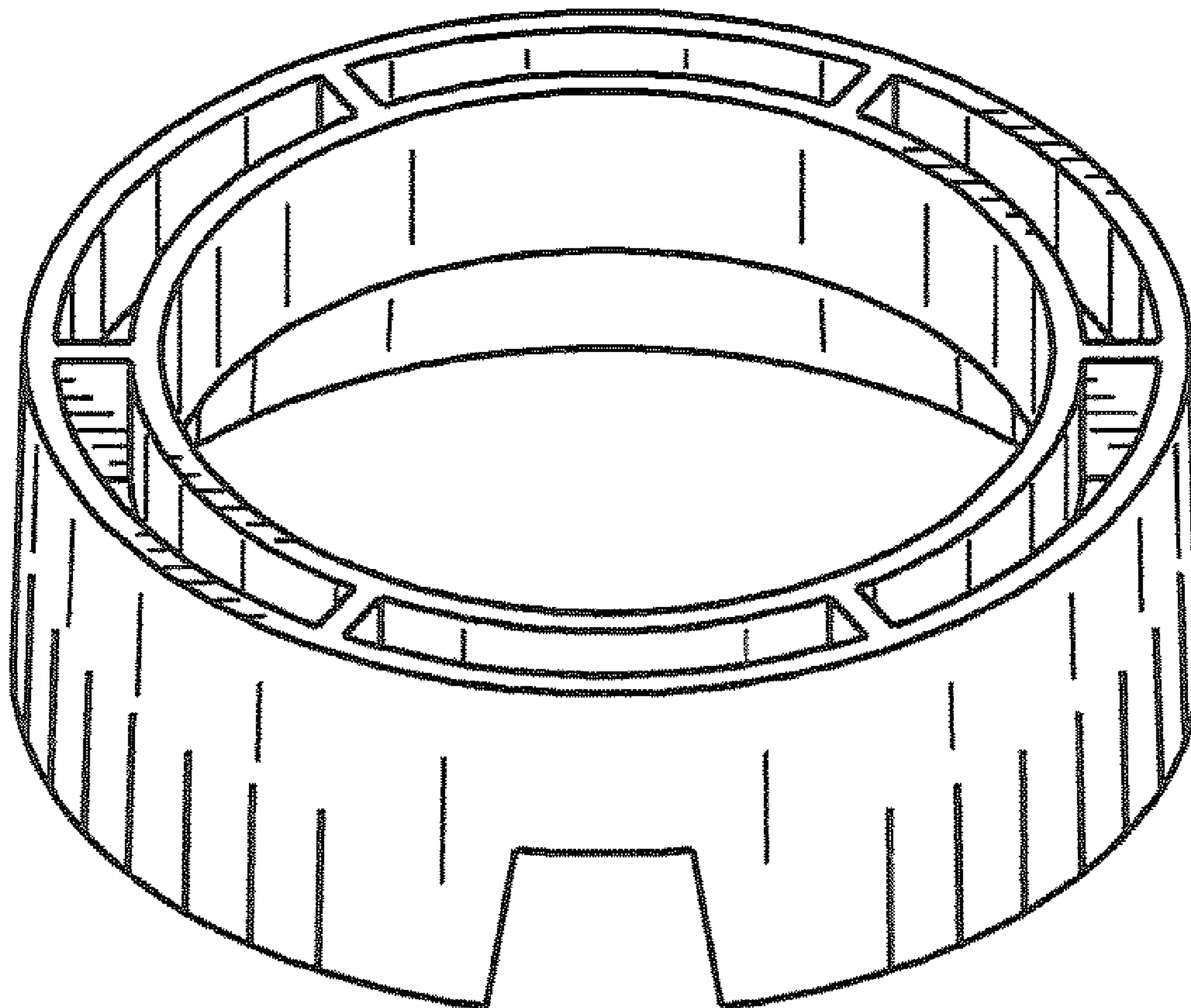
FIG. 4 is a top view thereof;

FIG. 5 is another side view thereof;

FIG. 6 is another side view thereof; and,

FIG. 7 is a bottom view thereof.

1 Claim, 2 Drawing Sheets



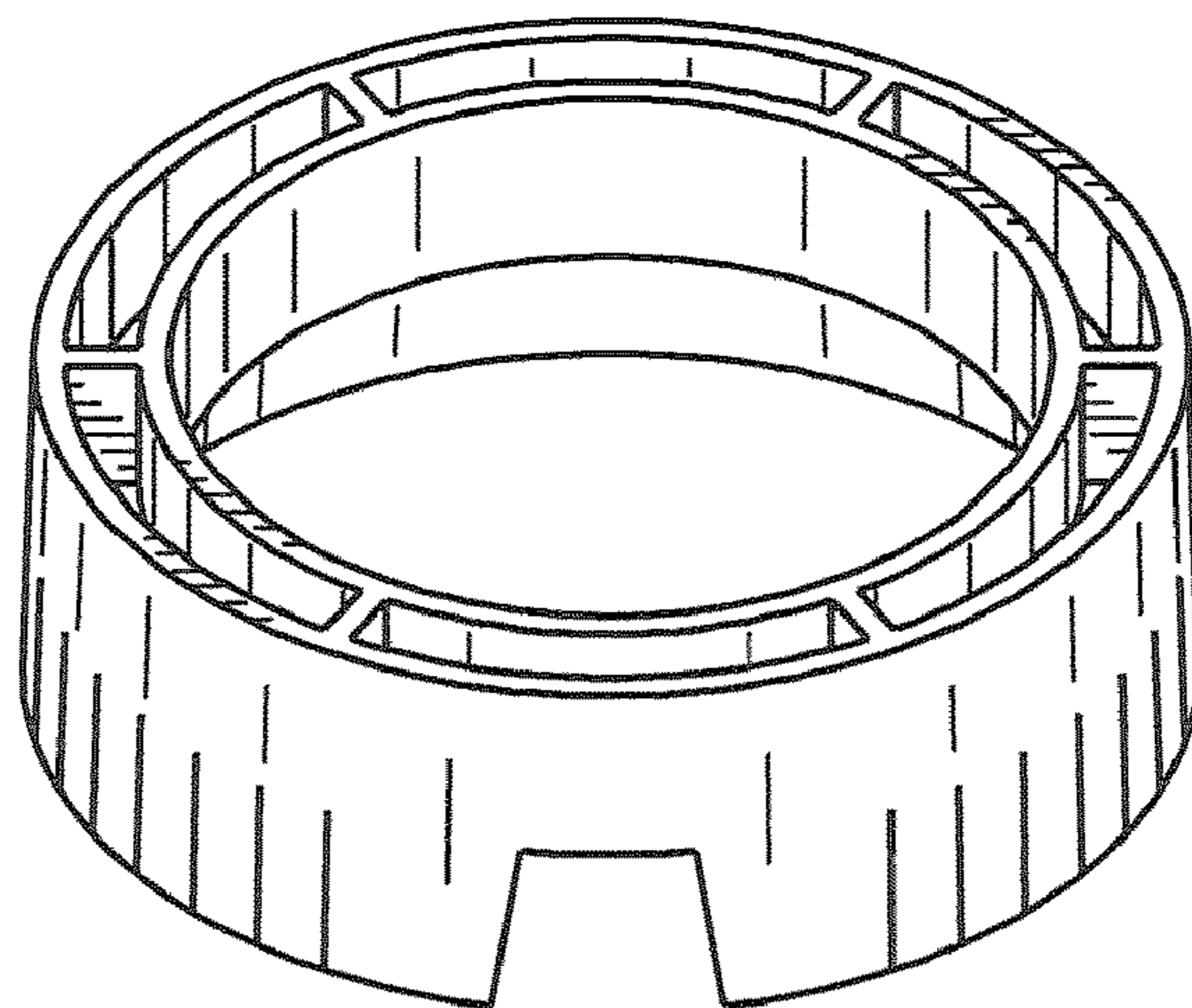


FIG. 1

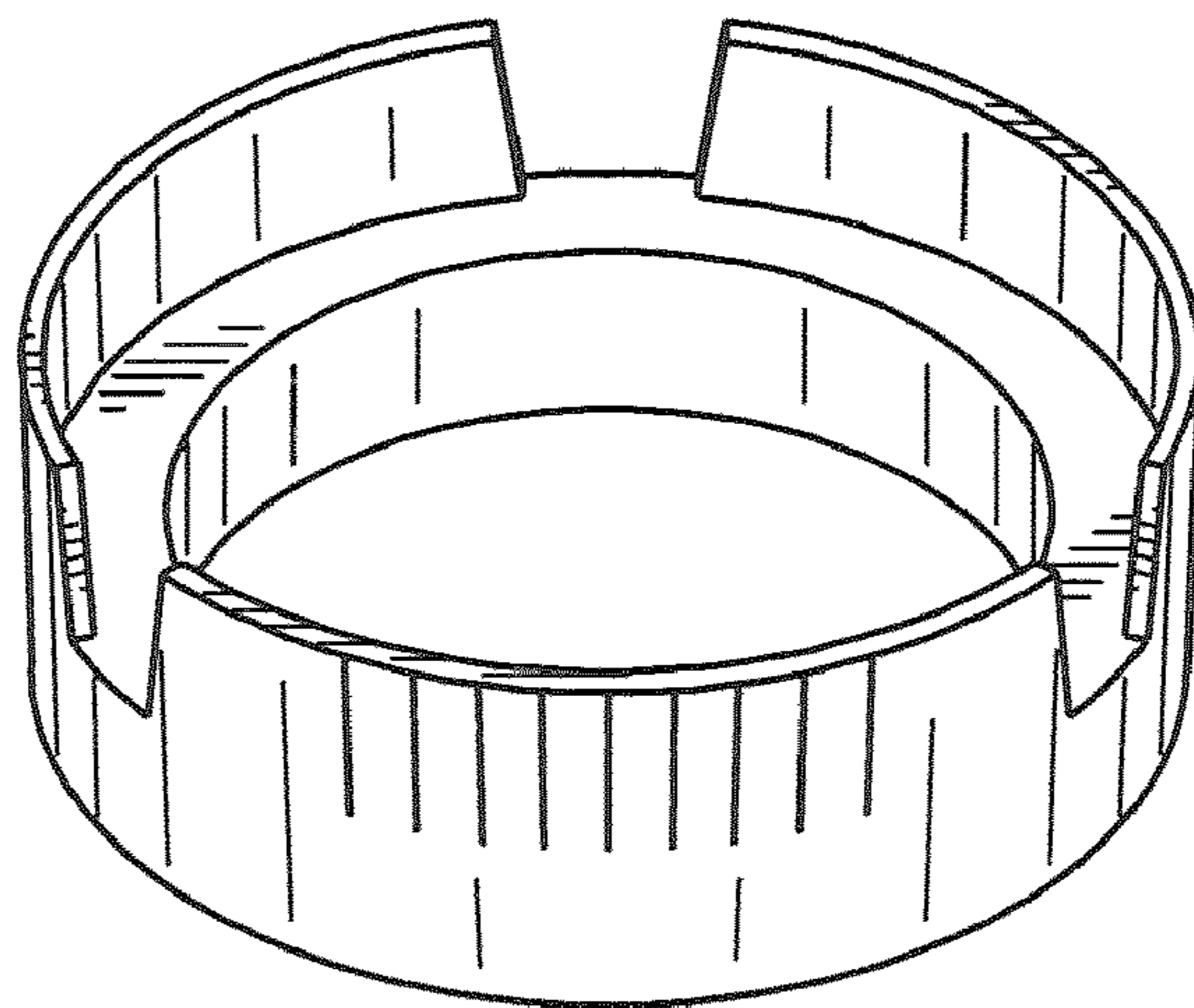


FIG. 2

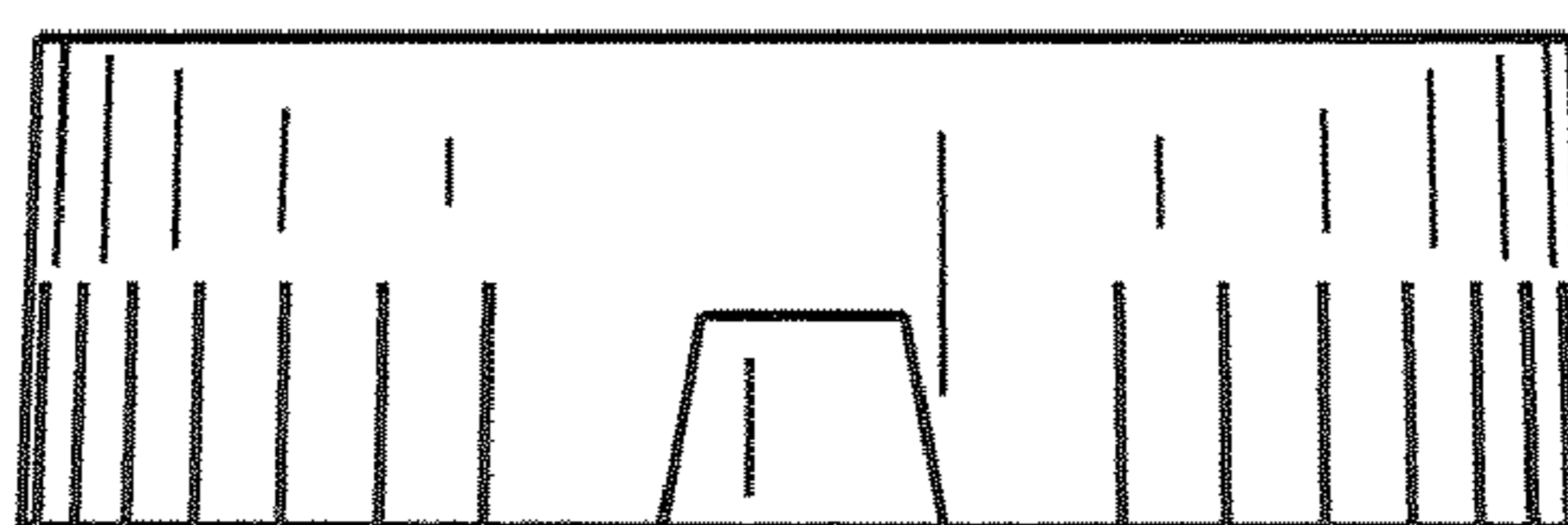


FIG. 3

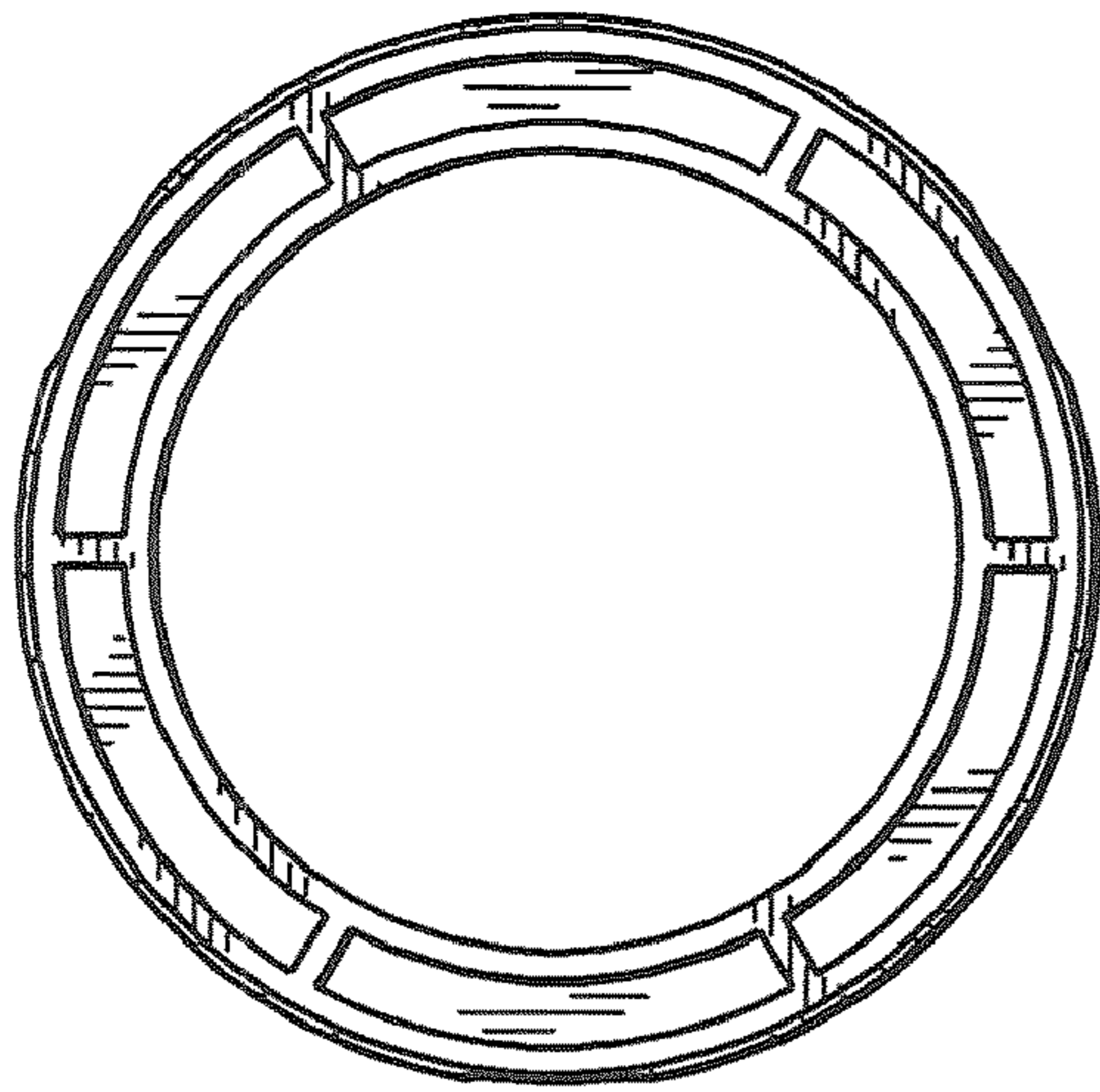


FIG. 4

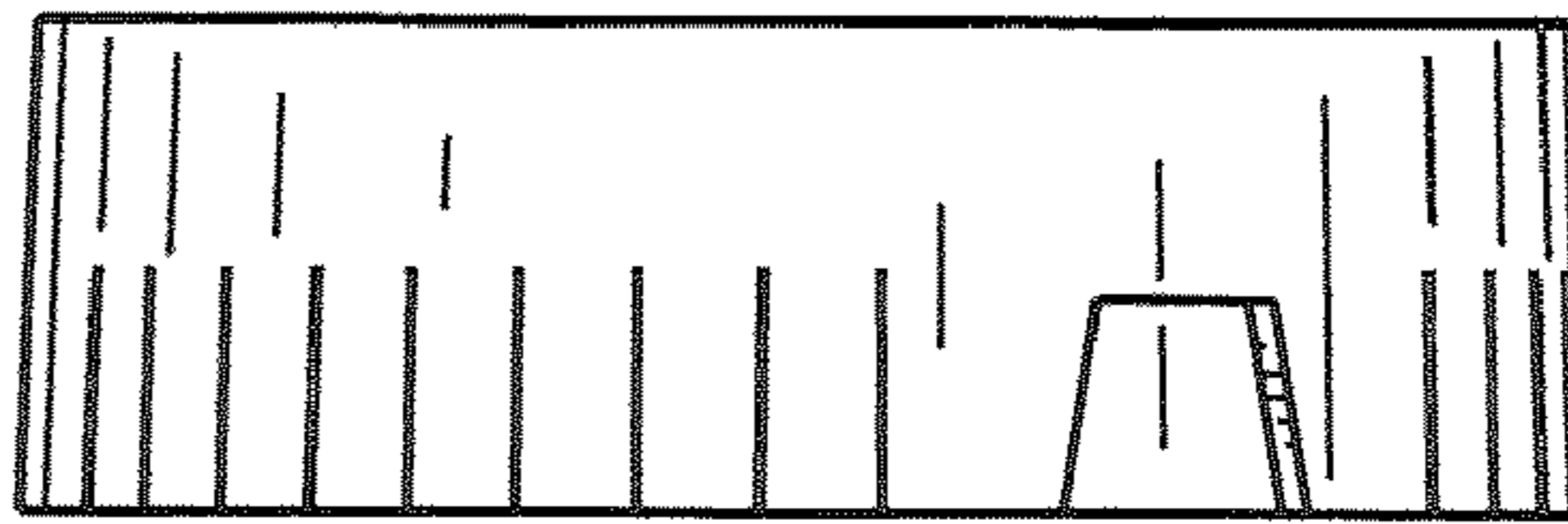


FIG. 5

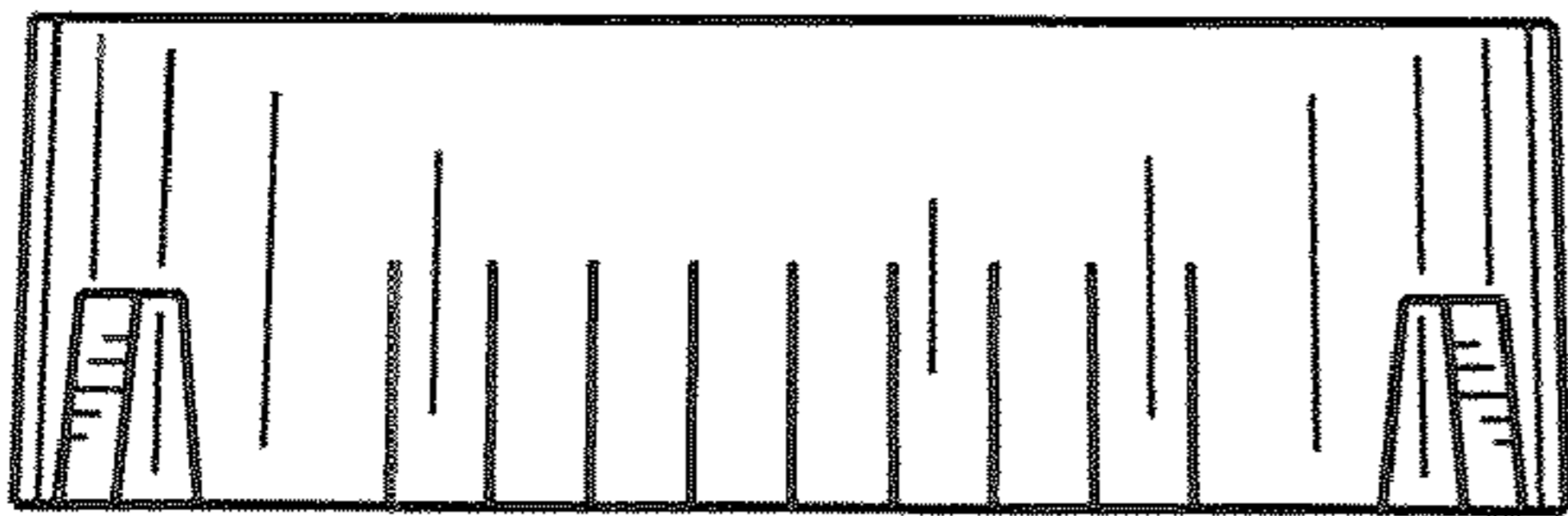


FIG. 6

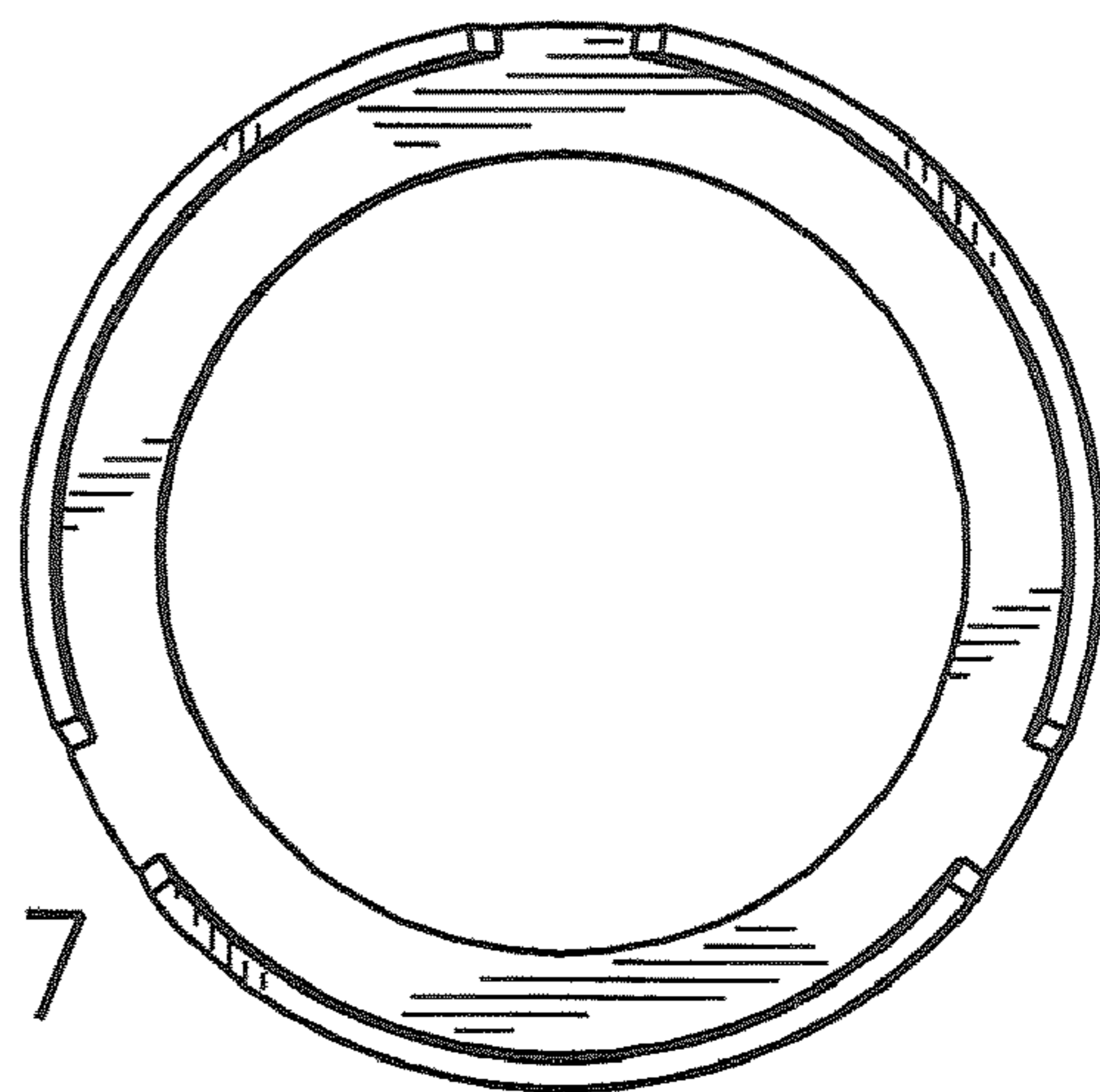


FIG. 7