



US00D626627S

(12) **United States Design Patent**
Lobermeier et al.

(10) **Patent No.:** **US D626,627 S**

(45) **Date of Patent:** **** Nov. 2, 2010**

(54) **SHOWER HEAD**

(75) Inventors: **Hans Lobermeier**, Menden (DE); **Paul Flowers**, Duesseldorf (DE)

(73) Assignee: **Grohe AG**, Hemer (DE)

(**) Term: **14 Years**

(21) Appl. No.: **29/351,942**

(22) Filed: **Dec. 14, 2009**

(30) **Foreign Application Priority Data**

Jun. 15, 2009 (EM) 001548108-0001

(51) **LOC (9) Cl.** **23-01**

(52) **U.S. Cl.** **D23/229**

(58) **Field of Classification Search** D23/213,
D23/223, 229-230; 239/394, 282, 283; 4/615
See application file for complete search history.

(56) **References Cited**

U.S. PATENT DOCUMENTS

D465,263 S * 11/2002 Tse D23/229
D465,551 S * 11/2002 Tse D23/229
D613,370 S * 4/2010 Allard et al. D23/213

* cited by examiner

Primary Examiner—Robin V Webster

(74) *Attorney, Agent, or Firm*—Muncy, Geissler, Olds & Lowe, PLLC

(57) **CLAIM**

The ornamental design of a shower head, as shown and described.

DESCRIPTION

FIG. 1 is a perspective view of a shower head according to an embodiment of the present invention.

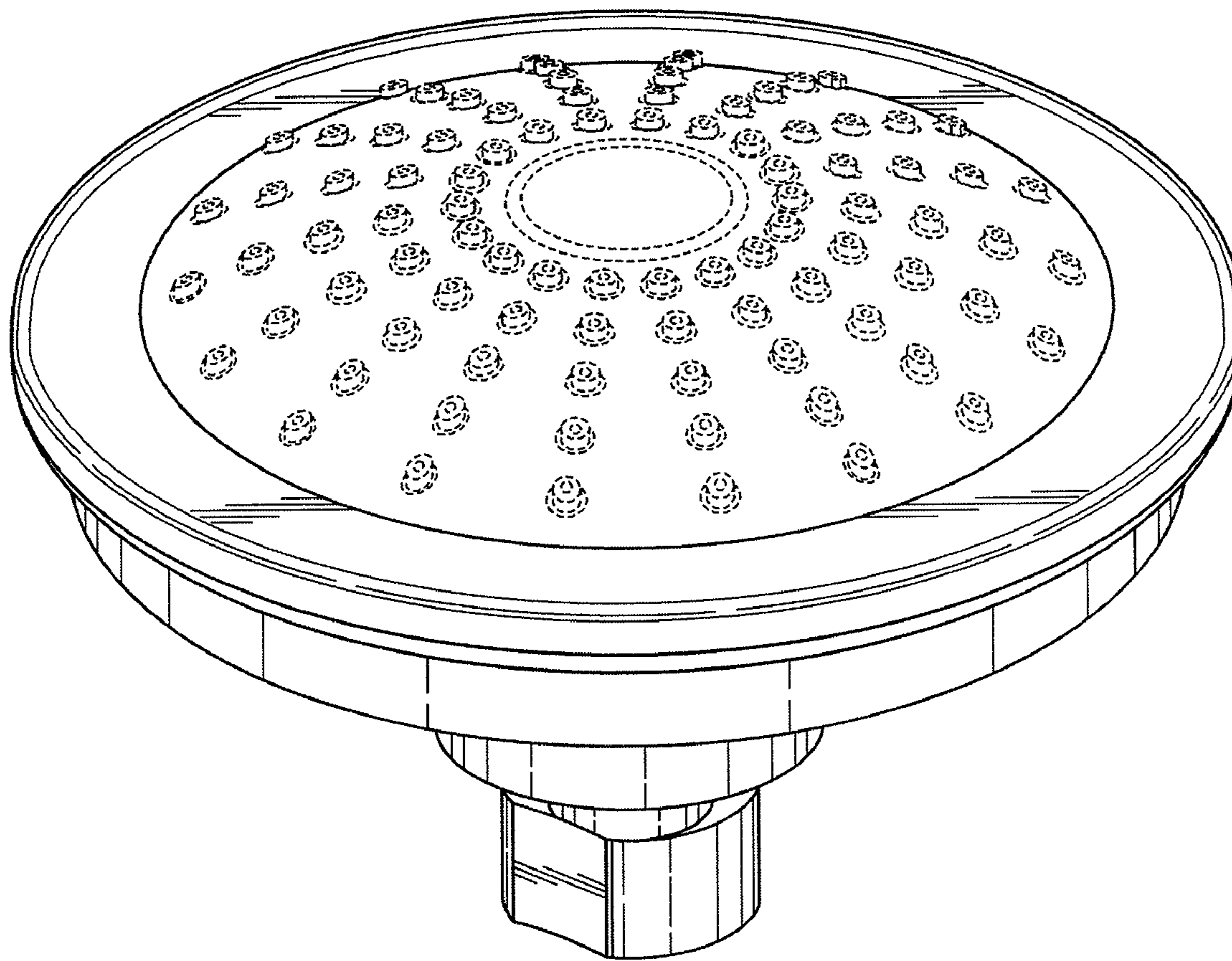
FIG. 2 is a front elevational view of the shower head of FIG. 1, the rear elevational view being identical thereto.

FIG. 3 is a right-side elevational view of the shower head of FIG. 1, the left-side elevational view being identical thereto.

FIG. 4 is a top plan view of the shower head of FIG. 1; and, FIG. 5 is a bottom plan view of the shower head of FIG. 1.

The dashed lines illustrate environment that does not form a part of the present invention, and no claim is made to the material illustrated with dashed lines.

1 Claim, 5 Drawing Sheets



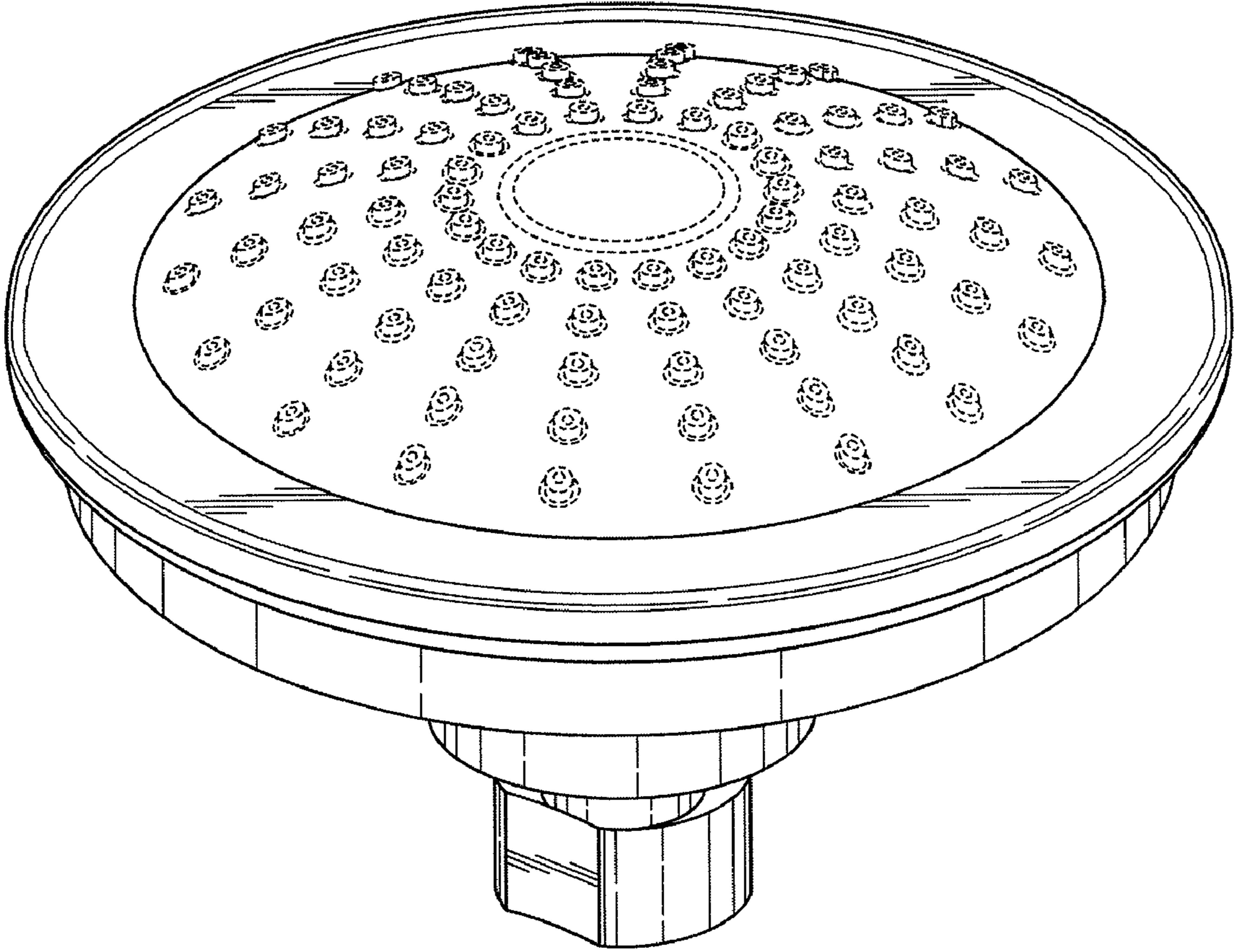


Fig. 1

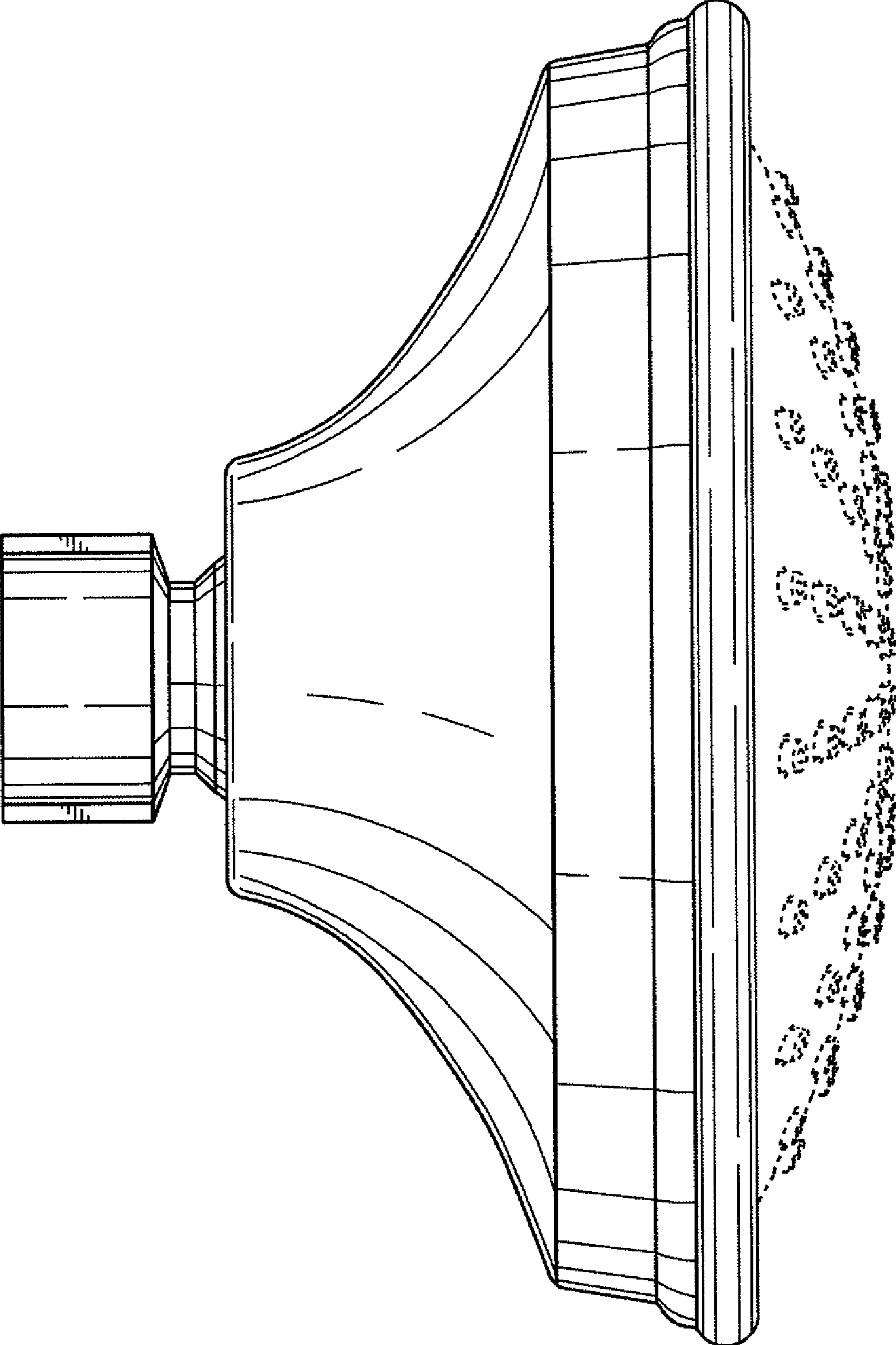


Fig. 2

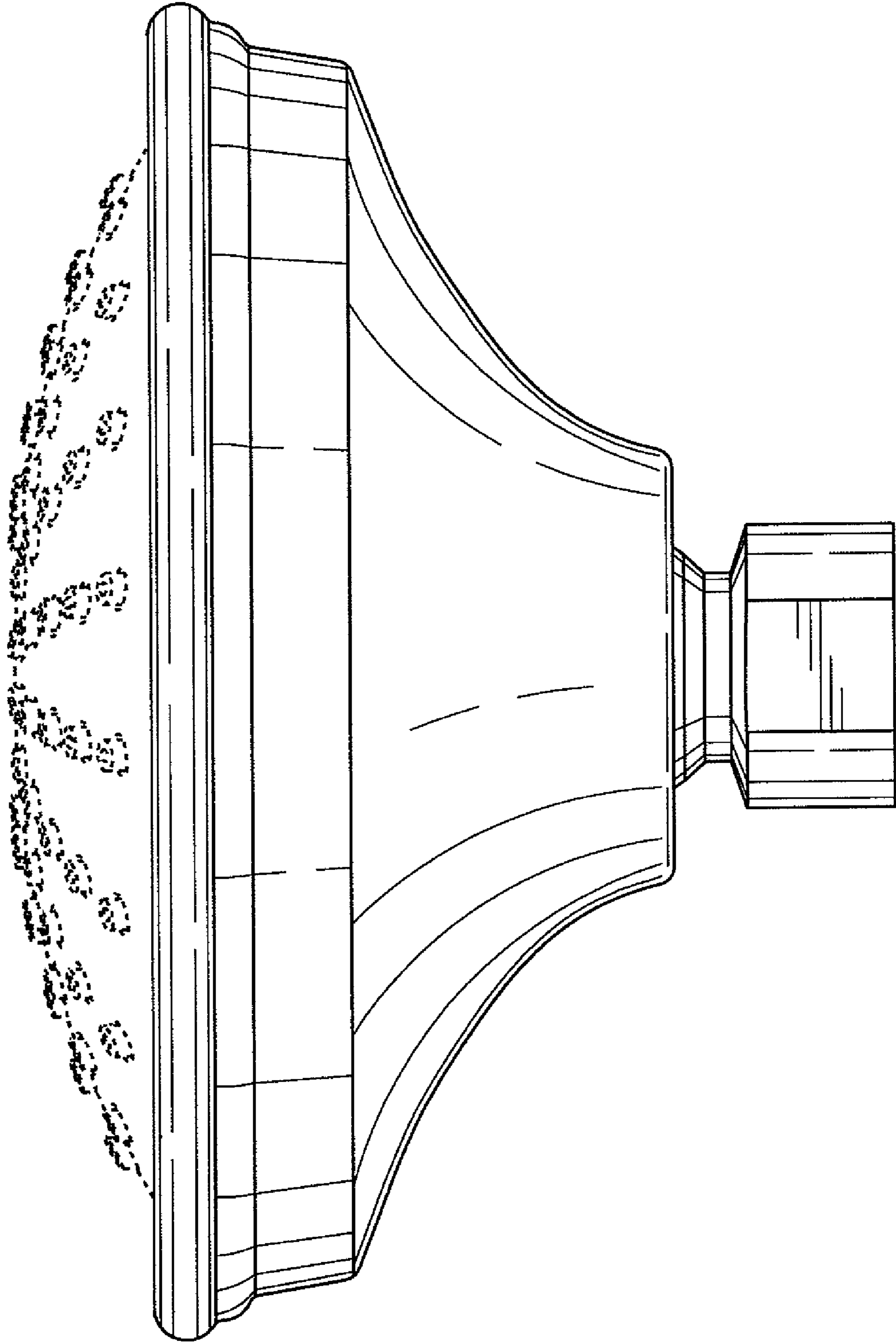


Fig. 3

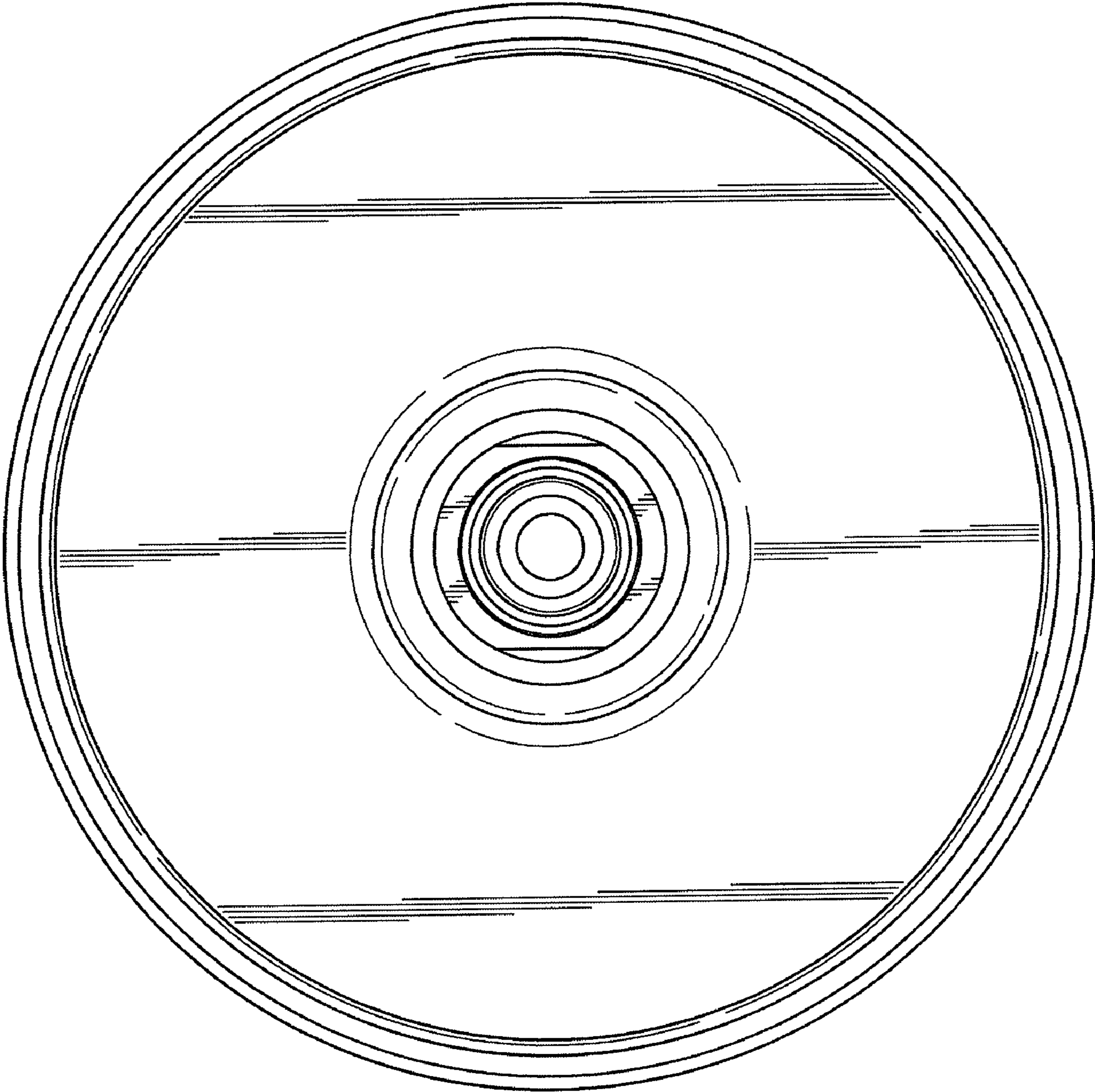


Fig. 4

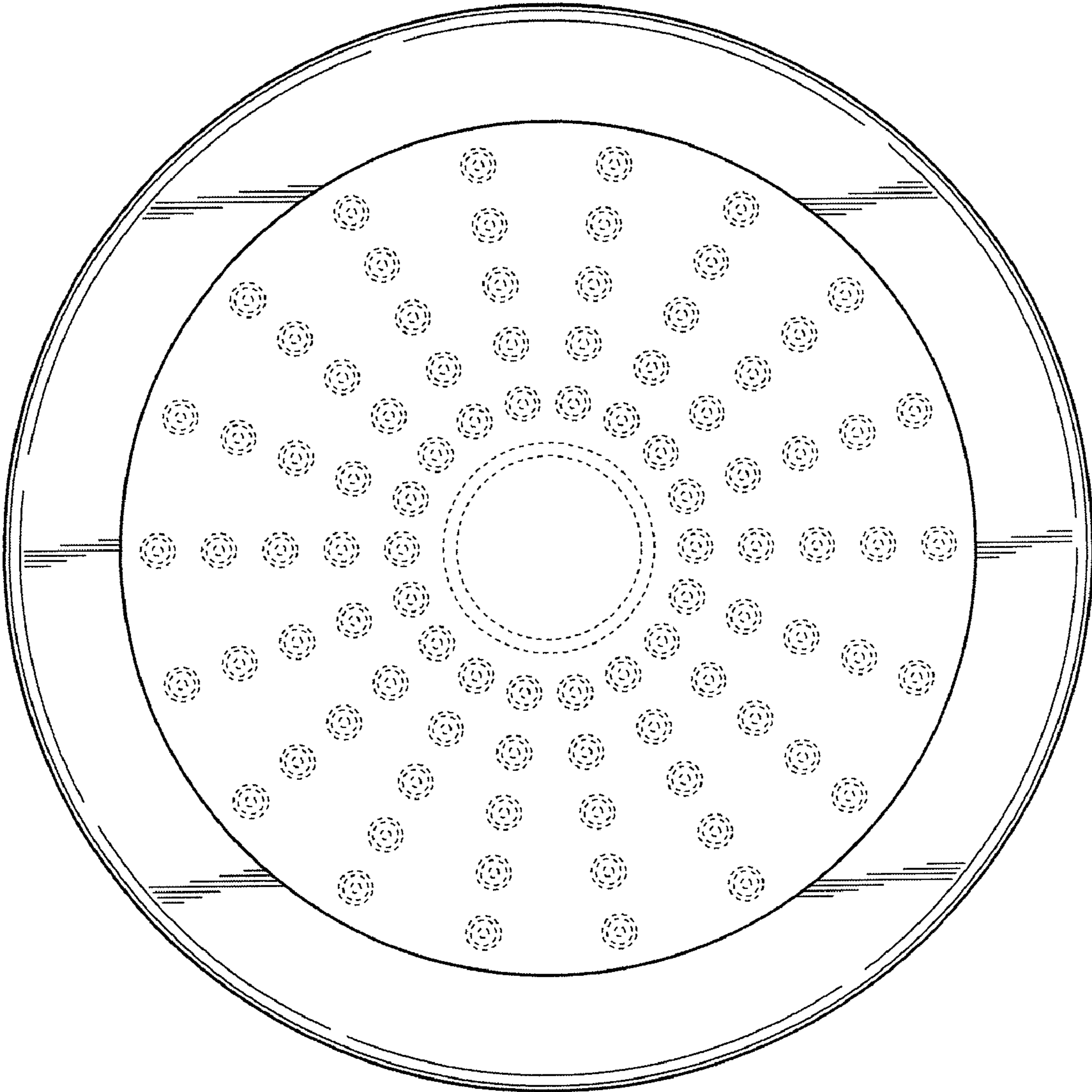


Fig. 5