



US00D626625S

(12) **United States Design Patent**  
**Lee**

(10) **Patent No.:** **US D626,625 S**  
(45) **Date of Patent:** **\*\* Nov. 2, 2010**

(54) **SHOWERHEAD**

(75) Inventor: **Man Hon Lee**, Kowloon (HK)

(73) Assignee: **Brand New Technology Ltd.**, Kowloon (HK)

(\*\*) Term: **14 Years**

(21) Appl. No.: **29/345,749**

(22) Filed: **Oct. 21, 2009**

(51) **LOC (9) Cl.** ..... **23-01**

(52) **U.S. Cl.** ..... **D23/229**

(58) **Field of Classification Search** ..... D23/213,  
D23/223, 226; 239/282-283, 462; 4/615,  
4/601

See application file for complete search history.

(56) **References Cited**

**U.S. PATENT DOCUMENTS**

D450,807 S \* 11/2001 Lindholm et al. .... D23/229  
D503,966 S \* 4/2005 Zieger ..... D23/229  
D527,440 S \* 8/2006 Macan ..... D23/213

D560,272 S \* 1/2008 Tse ..... D23/229  
D578,608 S \* 10/2008 Wu et al. .... D23/229  
D578,609 S \* 10/2008 Wu et al. .... D23/229  
D598,069 S \* 8/2009 Tse ..... D23/213

\* cited by examiner

*Primary Examiner*—Robin V Webster

(57) **CLAIM**

The ornamental design for a showerhead, as shown.

**DESCRIPTION**

FIG. 1 is a front elevational view of a showerhead showing my new design;

FIG. 2 is a rear elevational view thereof;

FIG. 3 is a left side view thereof;

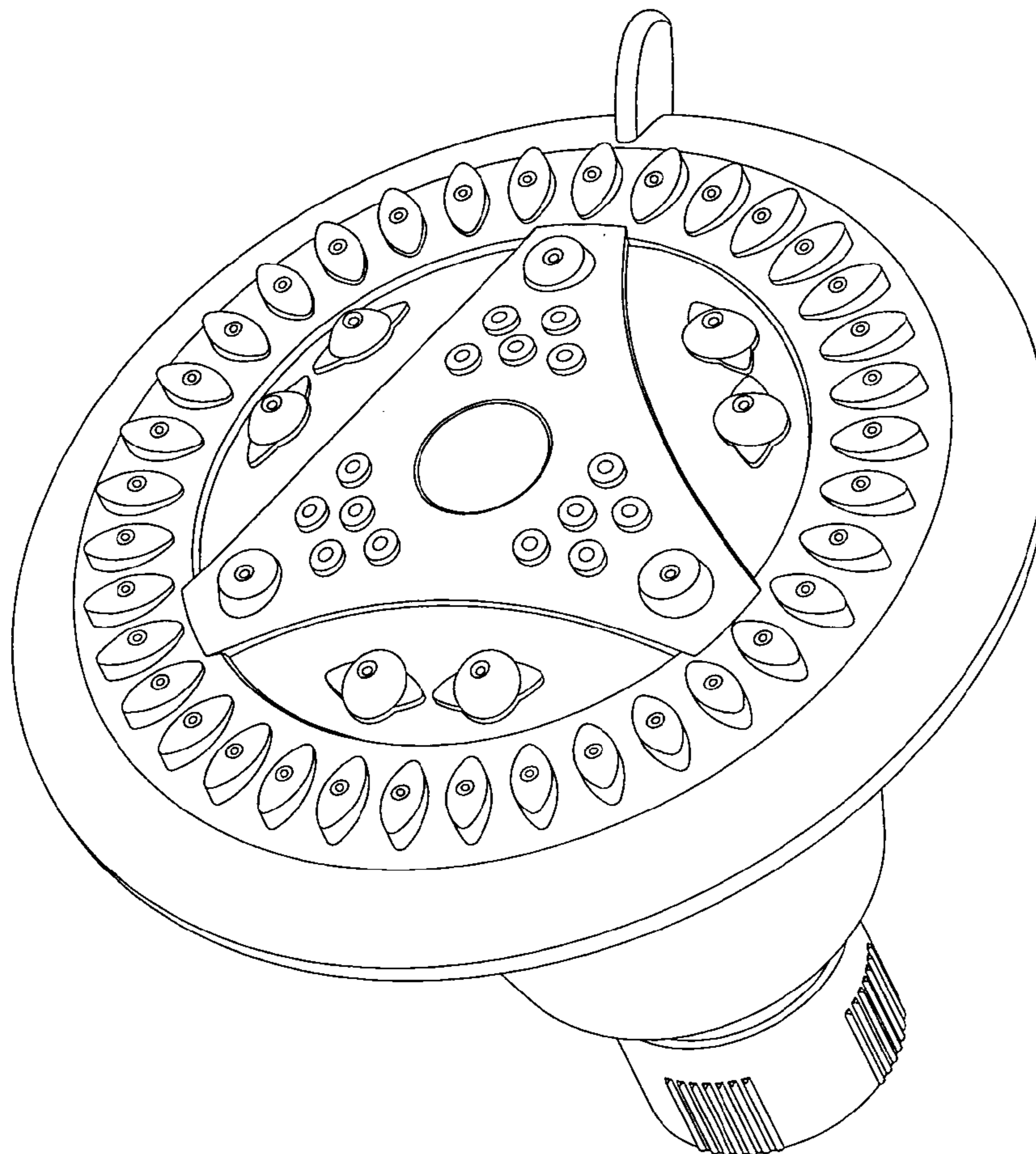
FIG. 4 is a right side view thereof;

FIG. 5 is a top plan view thereof;

FIG. 6 is a bottom plan view thereof; and,

FIG. 7 is a perspective view thereof.

**1 Claim, 7 Drawing Sheets**



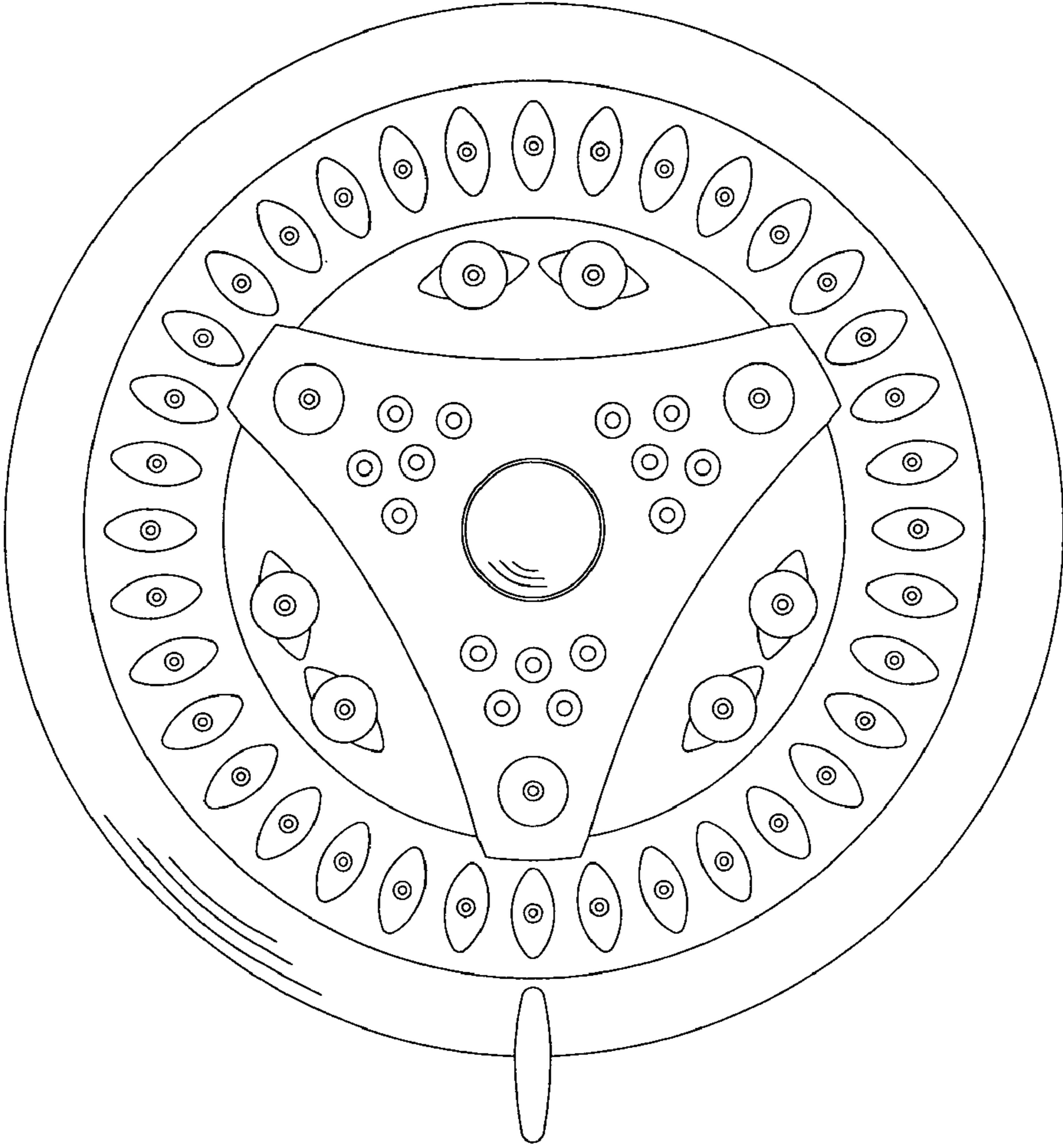


FIG. 1

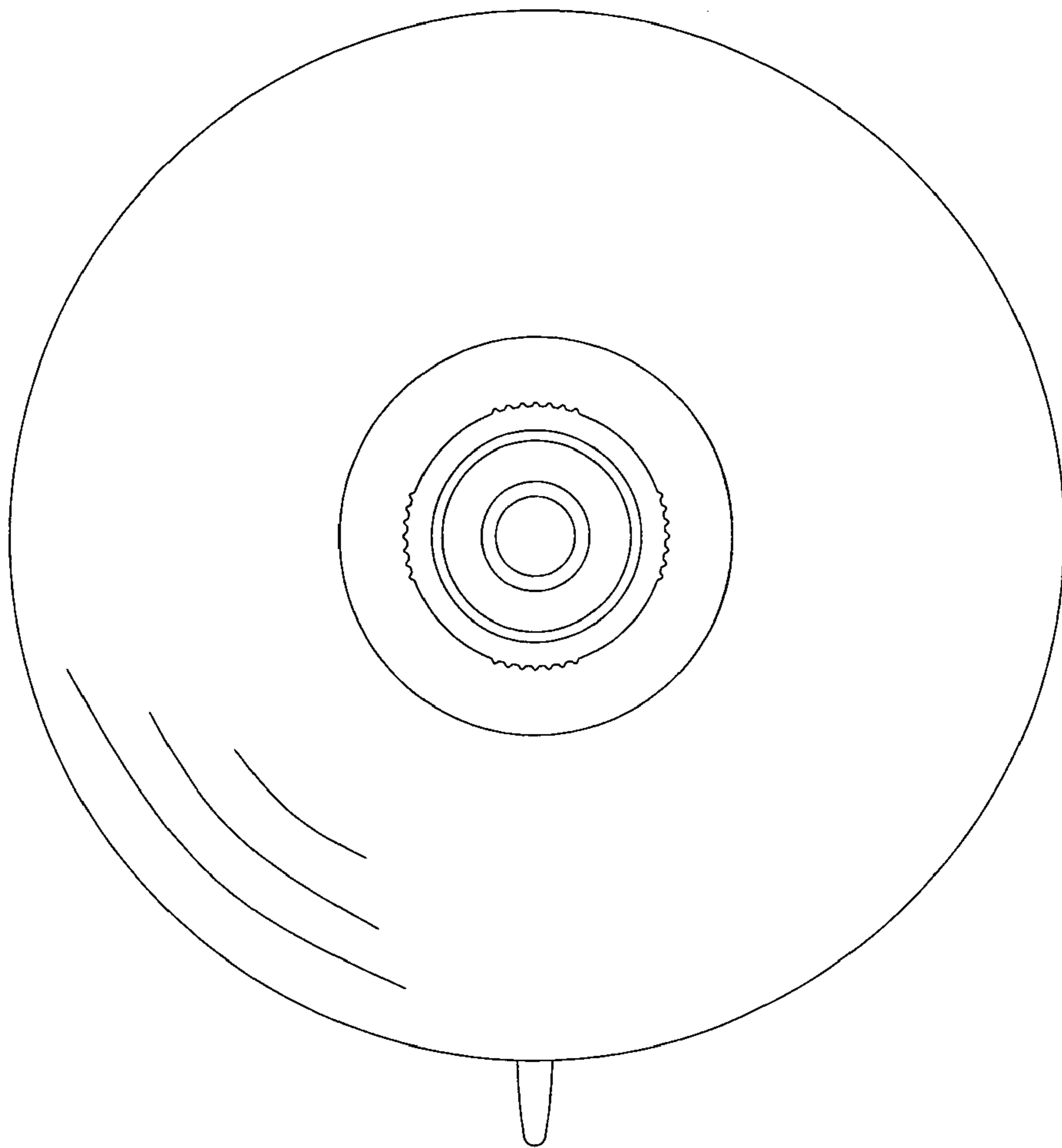


FIG. 2

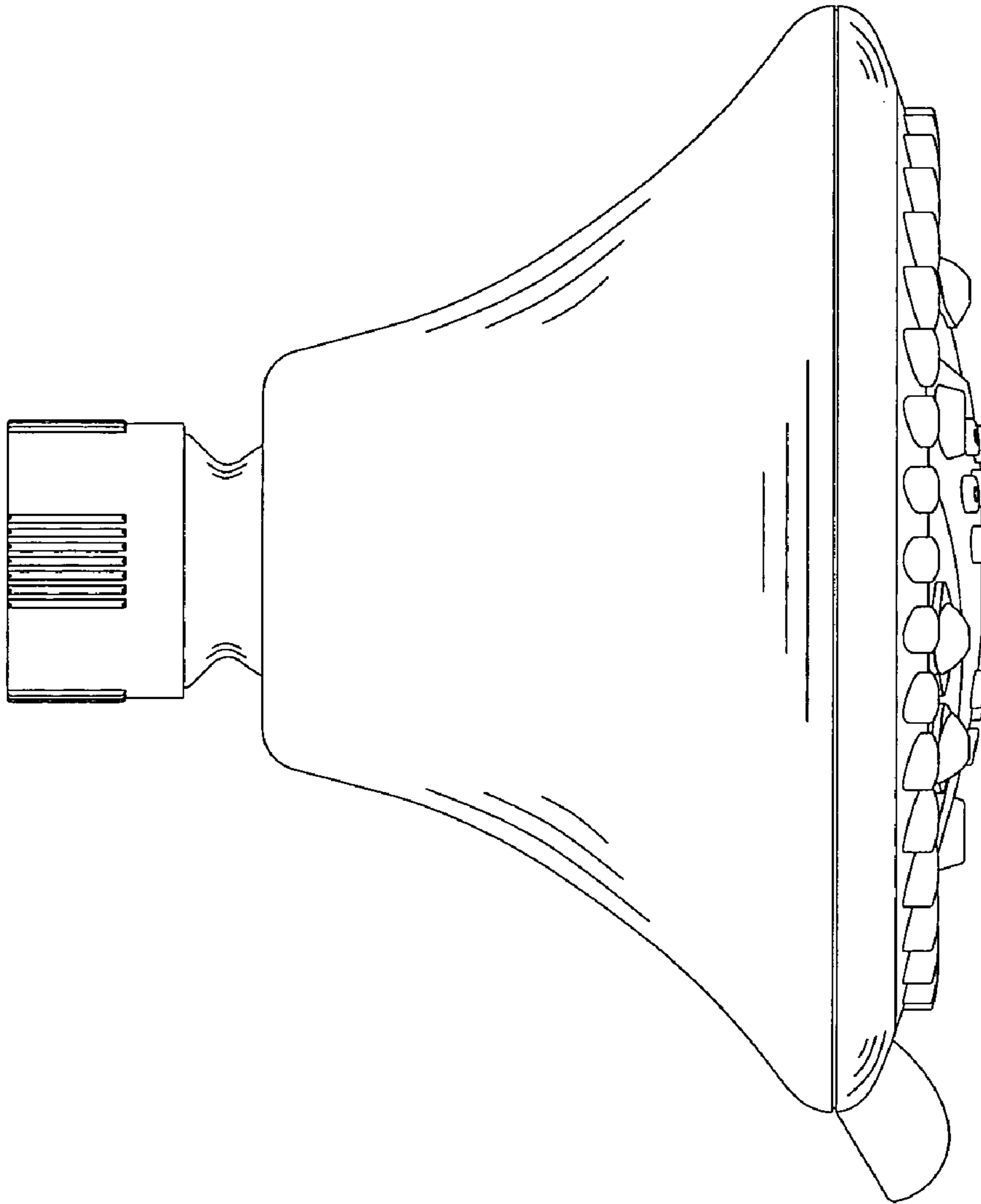


FIG. 3

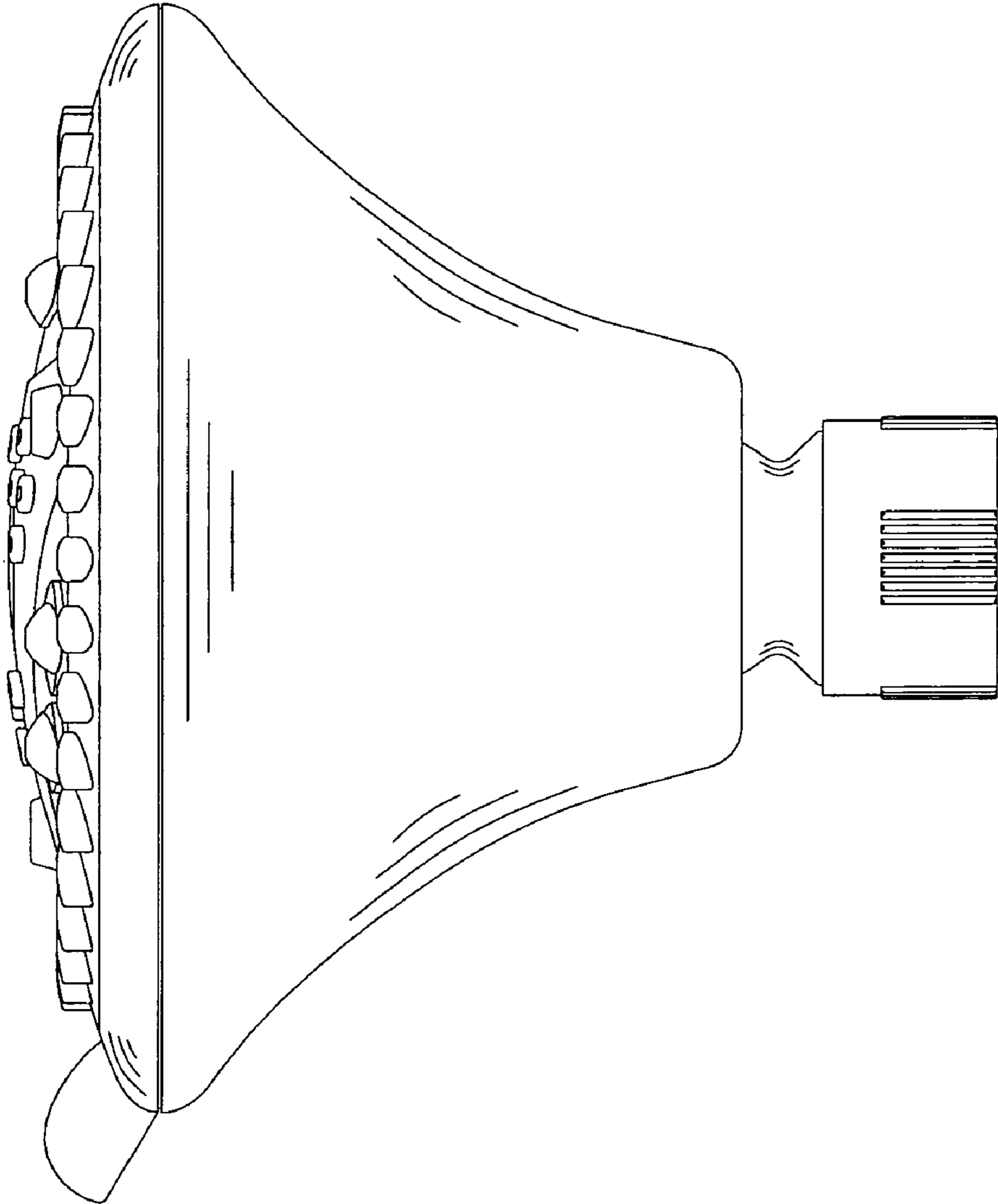


FIG. 4

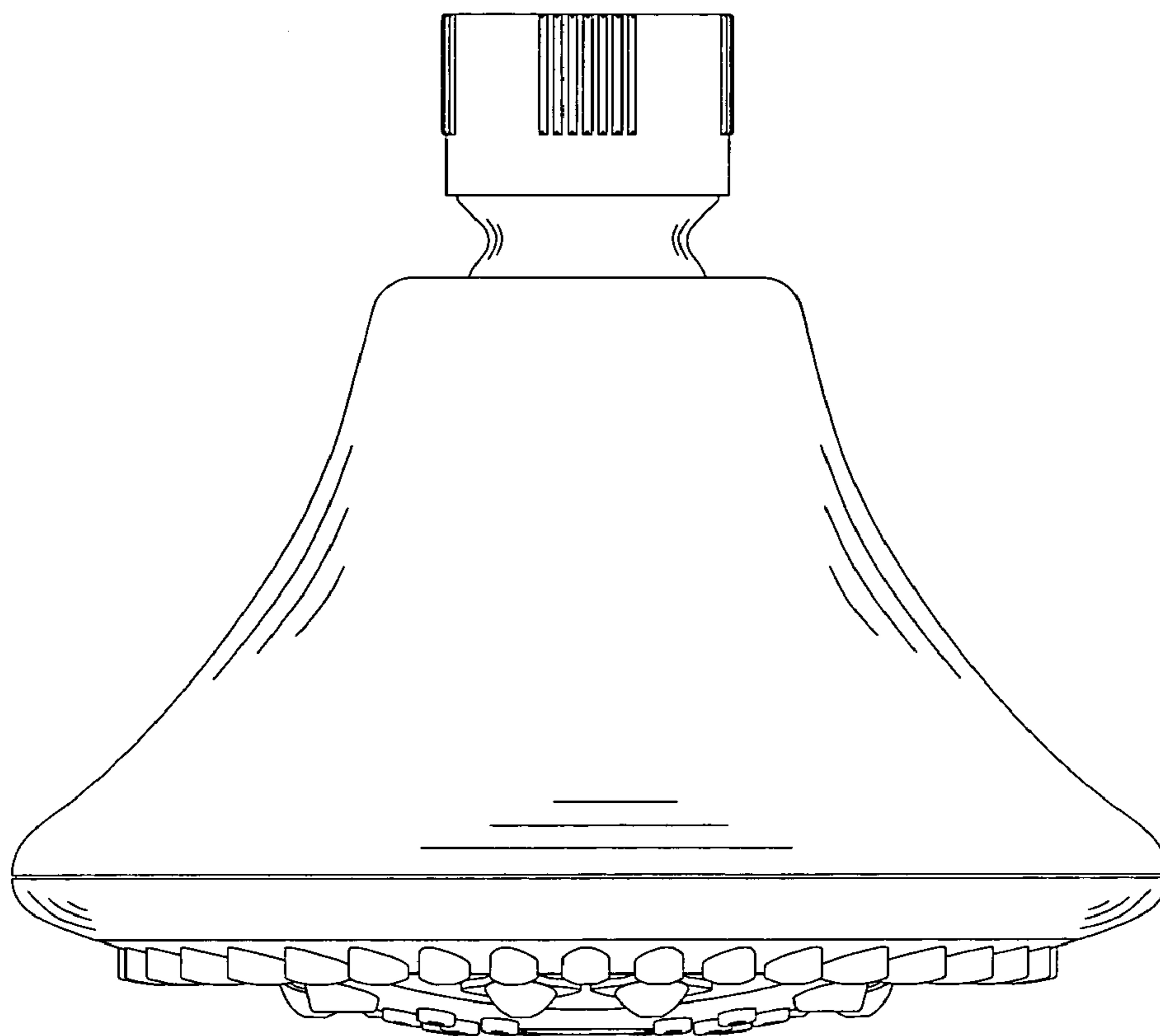


FIG. 5

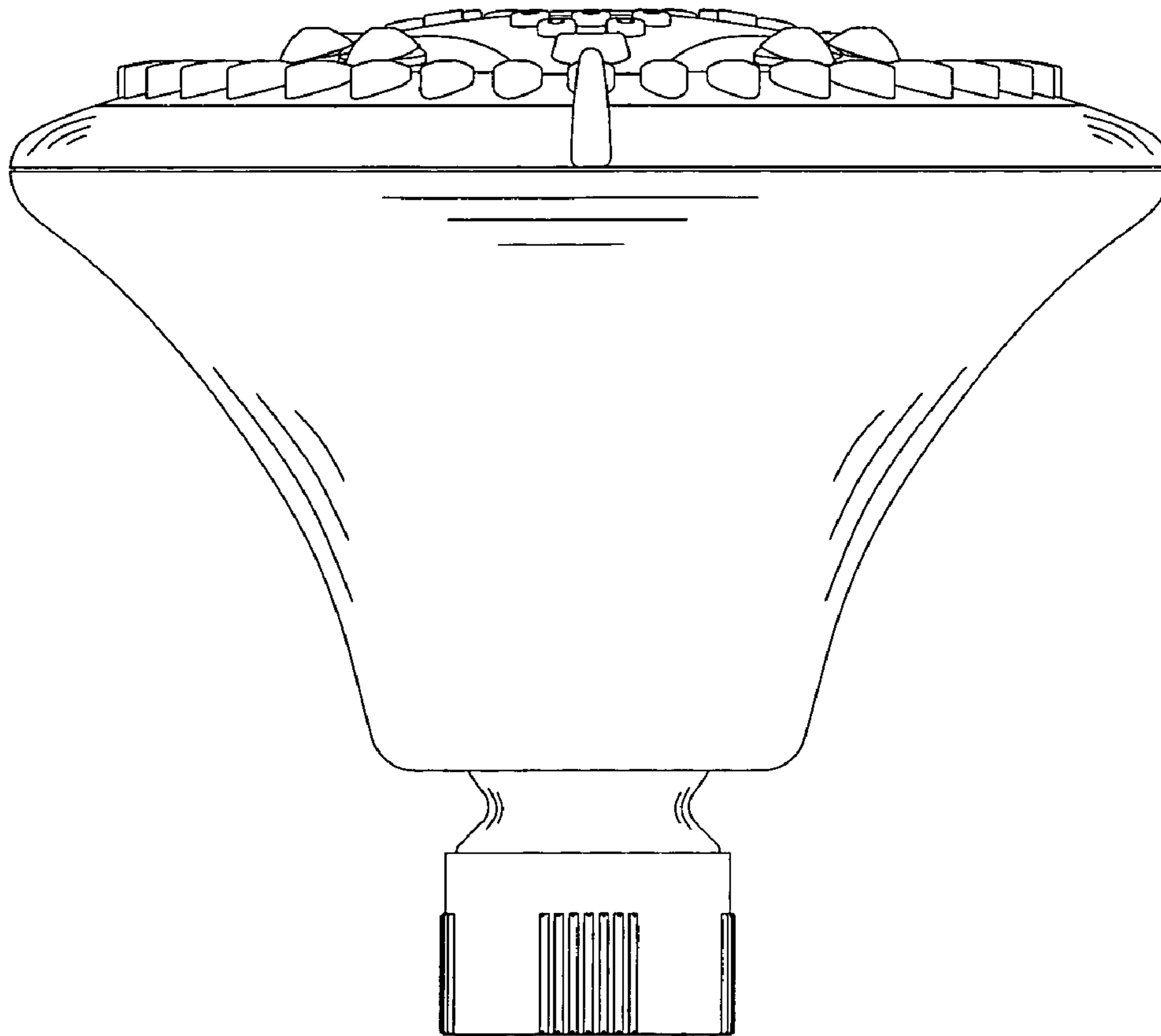


FIG. 6



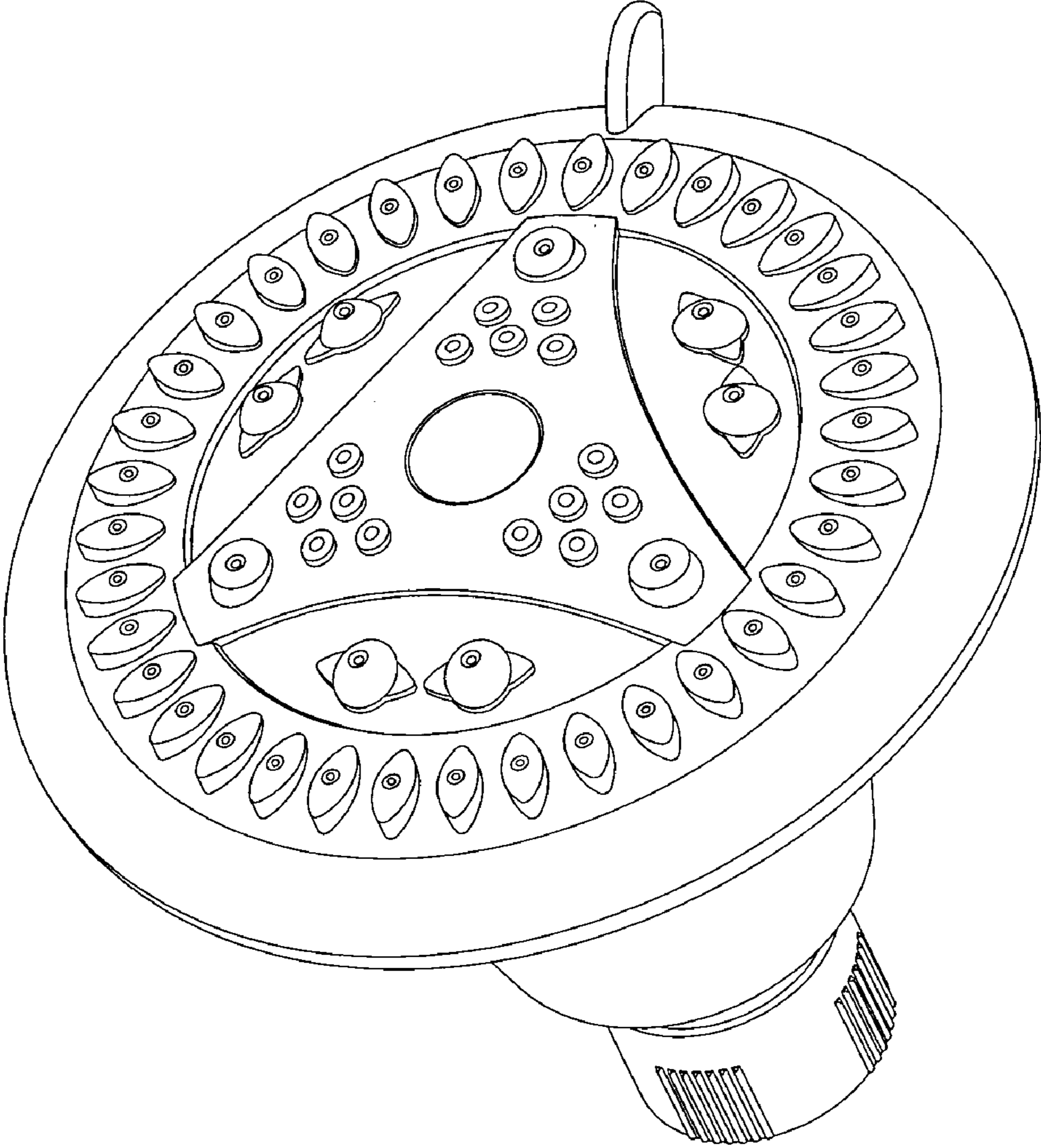


FIG. 7