



US00D626623S

(12) **United States Design Patent**
Gessi

(10) **Patent No.:** **US D626,623 S**
(45) **Date of Patent:** **** Nov. 2, 2010**

(54) **SHOWER HEAD**

(75) Inventor: **Gian Luca Gessi**, Vercelli (IT)

(73) Assignee: **Gessi S.p.A.**, Serravalle Sesia, Vercelli (IT)

(**) Term: **14 Years**

(21) Appl. No.: **29/355,770**

(22) Filed: **Feb. 12, 2010**

(30) **Foreign Application Priority Data**

Aug. 13, 2009 (IT) MI2009O000128

(51) **LOC (9) Cl.** **23-01**

(52) **U.S. Cl.** **D23/213**

(58) **Field of Classification Search** D23/213,
D23/223, 229–230; 239/394, 282, 283; 4/615
See application file for complete search history.

(56) **References Cited**

U.S. PATENT DOCUMENTS

D590,476 S * 4/2009 Schonherr et al. D23/213
D607,970 S * 1/2010 Schoenherr et al. D23/213
D612,010 S * 3/2010 Schoenherr et al. D23/213

* cited by examiner

Primary Examiner—Robin V Webster

(74) *Attorney, Agent, or Firm*—Shoemaker and Mattare

(57) **CLAIM**

The ornamental design for a shower head, as shown and described.

DESCRIPTION

FIG. 1 is a bottom plan view of a shower head, showing my new design;

FIG. 2 is a left side elevational view thereof, the right side being a mirror image;

FIG. 3 is a top plan view thereof;

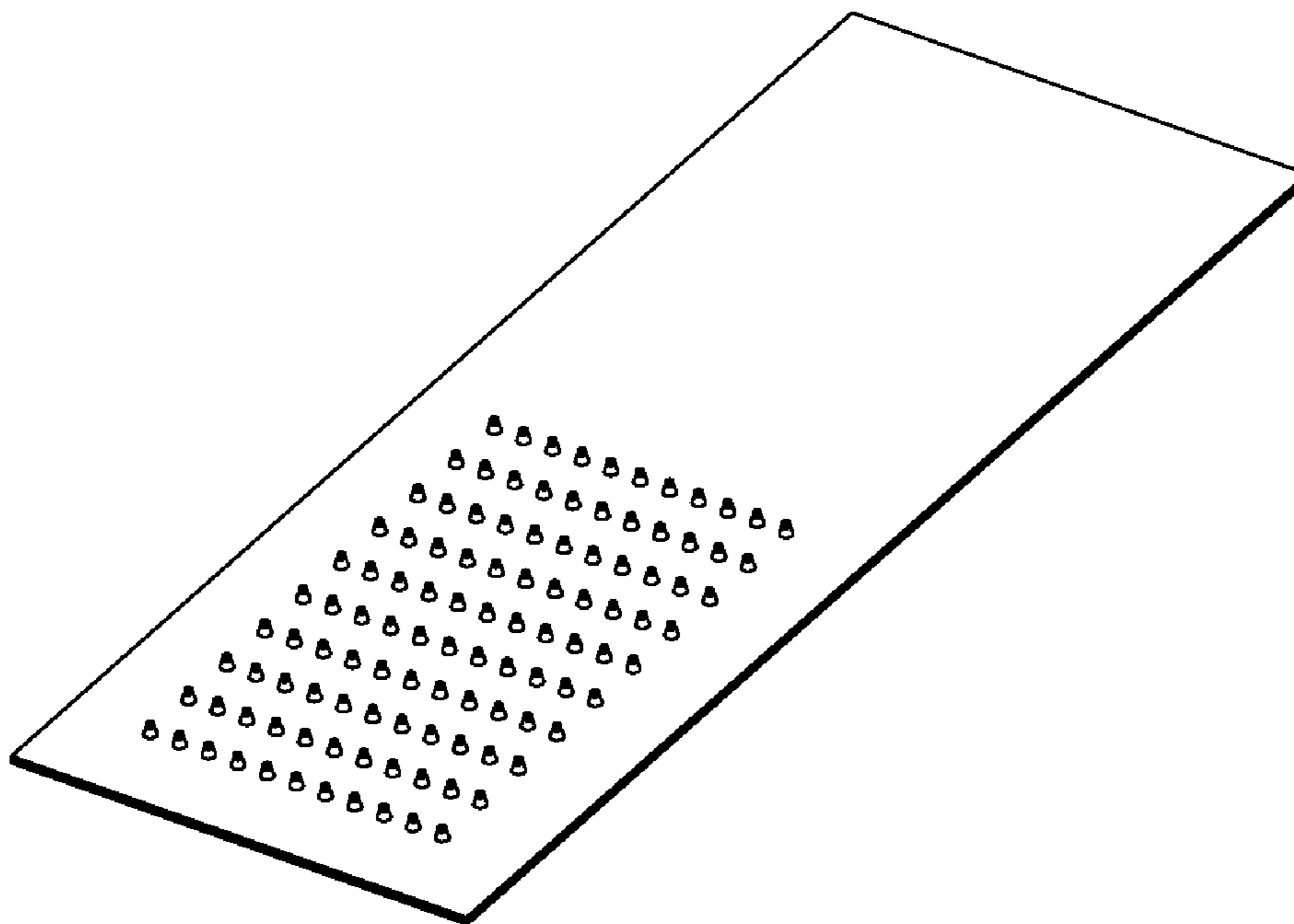
FIG. 4 is a front elevational view thereof;

FIG. 5 is a perspective view thereof, from the bottom, left side and front; and,

FIG. 6 is a perspective view thereof, from the top, right side and front.

The shower head has an extremely reduced thickness, compared to the thickness of shower heads available in the prior art.

1 Claim, 2 Drawing Sheets



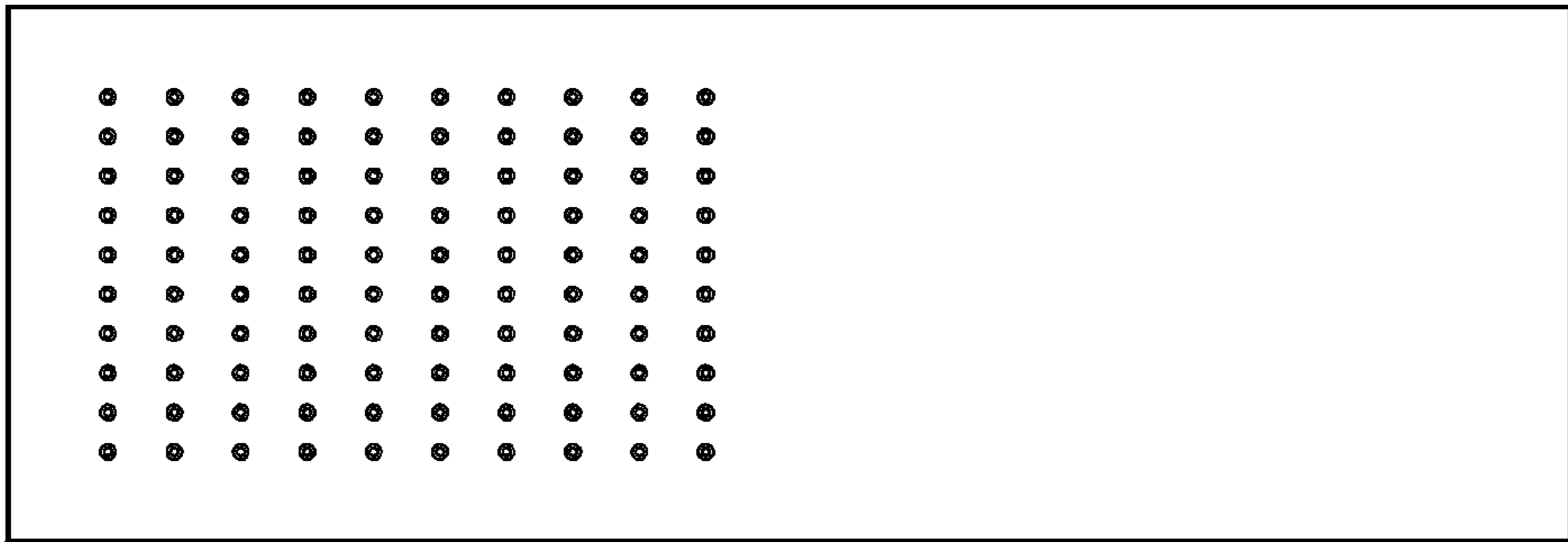


Fig. 1

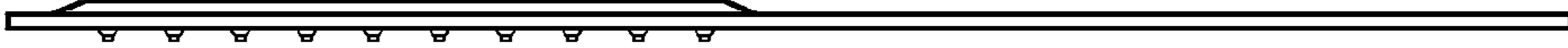


Fig. 2

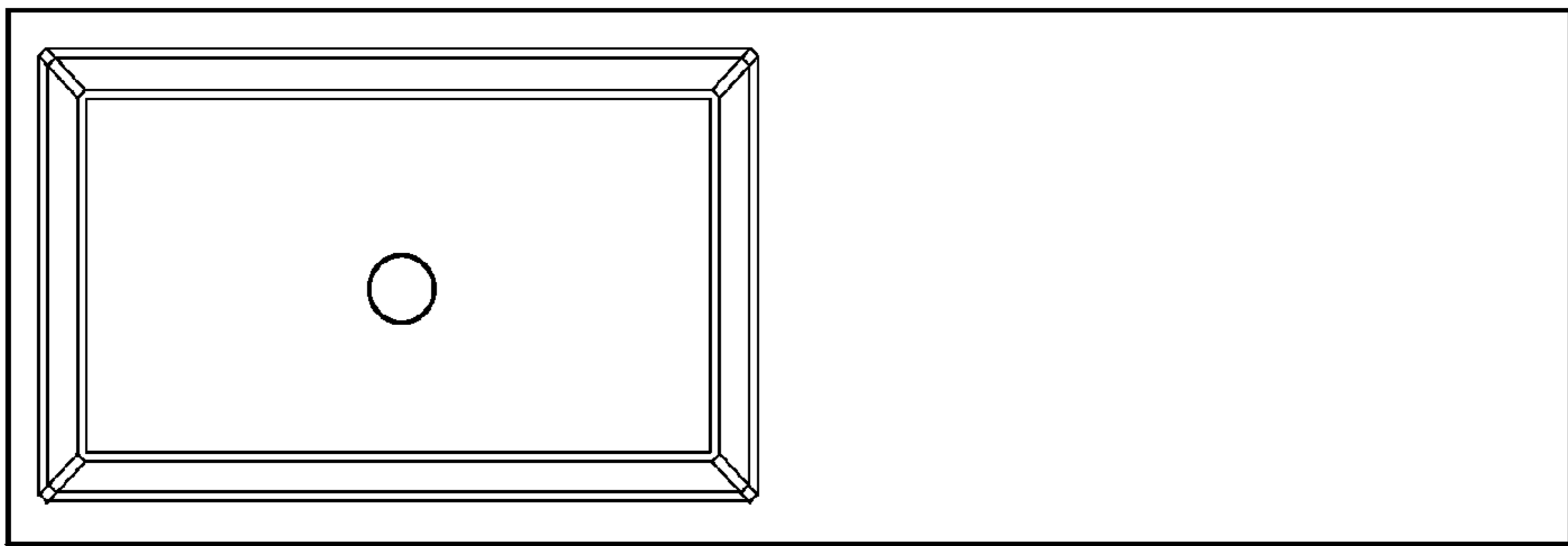


Fig. 3

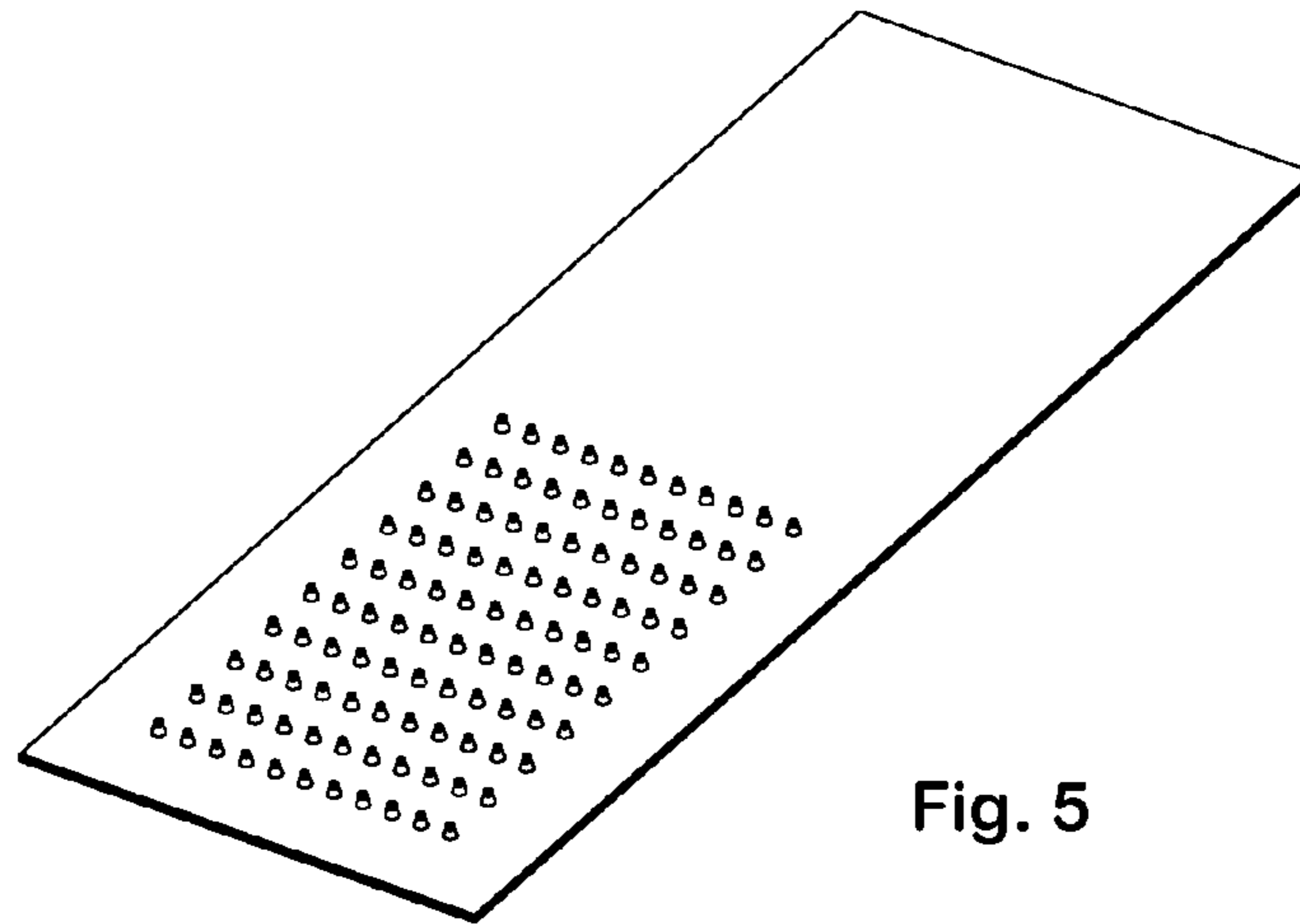


Fig. 5



Fig. 4

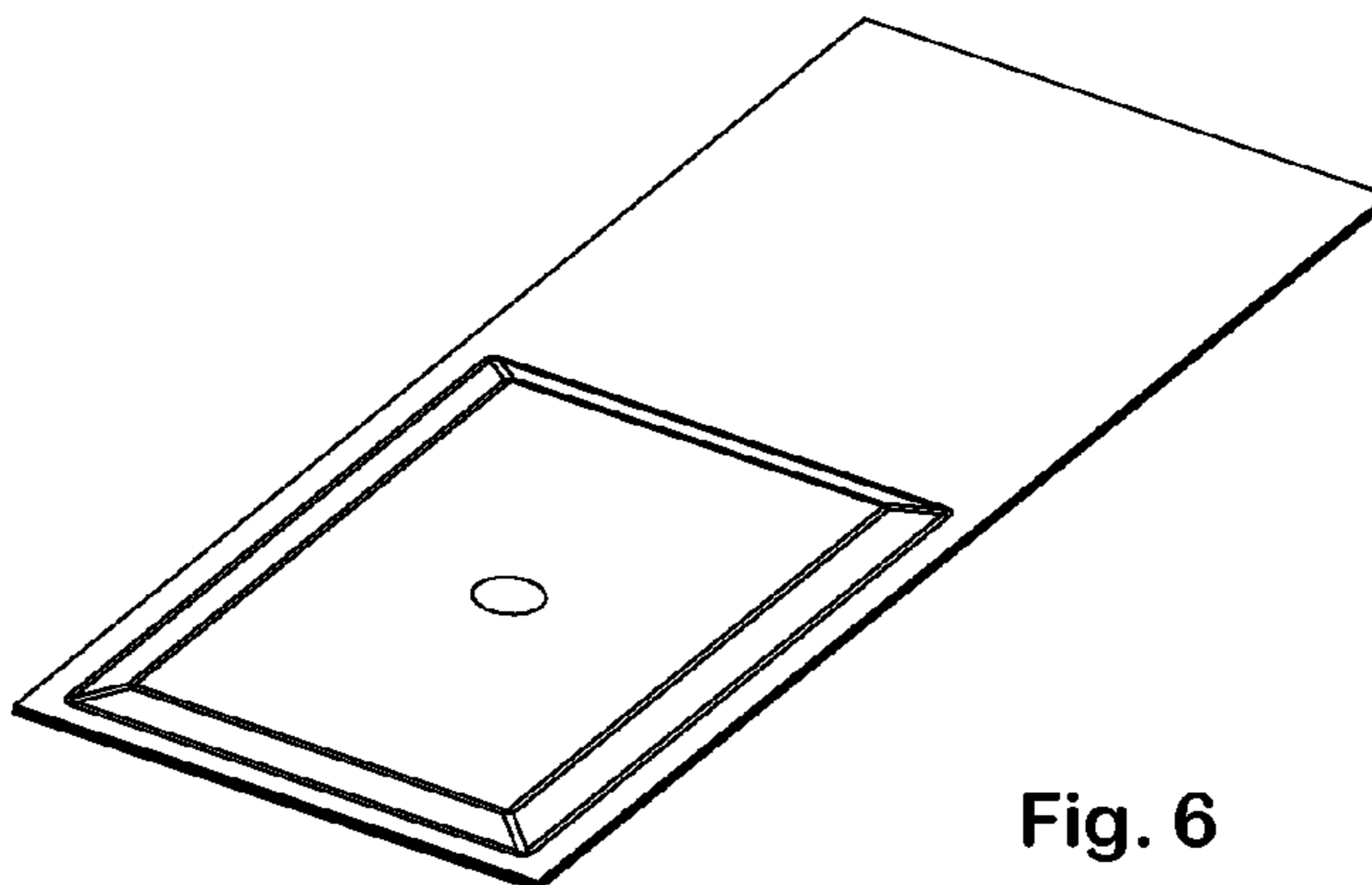


Fig. 6