

US00D626621S

(12) **United States Design Patent**
Olson et al.

(10) **Patent No.:** **US D626,621 S**

(45) **Date of Patent:** **** Nov. 2, 2010**

(54) **WATER TREATMENT DEVICE**

(56)

References Cited

(75) Inventors: **Judd D. Olson**, Deephaven, MN (US);
Sean C. McGreevy, St. Paul, MN (US);
Kent E. Lageson, Burnsville, MN (US);
Kevin E. Kinzer, Forest Lake, MN
(US); **Paul J. Cobian**, Woodbury, MN
(US); **Gretchen A. Hauble**, Dellwood,
MN (US); **James M. Cooper**, St. Paul,
MN (US); **Benjamin P. Williams**, St.
Joseph, WI (US); **Paula A. Marrs**,
Minneapolis, MN (US); **Anastasios G.**
Karahalios, Skokie, IL (US); **Carly R.**
Price, Evanston, IL (US); **Jeremiah P.**
O’Leary, Chicago, IL (US); **Shu Kun**
Chang, Evanston, IL (US); **Elizabeth R.**
Kelly, Chicago, IL (US); **Hyun Jin Ko**,
Evanston, IL (US)

U.S. PATENT DOCUMENTS

2,204,158	A *	6/1940	Serio et al.	99/310
3,803,998	A *	4/1974	Kimber, Jr.	99/310
D289,726	S *	5/1987	Greutert	D7/400
6,521,124	B2 *	2/2003	Northcut et al.	210/232
D609,051	S *	2/2010	Hofer	D7/399

* cited by examiner

Primary Examiner—Robin V Webster

(74) *Attorney, Agent, or Firm*—David B. Patchett

(57)

CLAIM

The ornamental design for a water treatment device, as shown and described.

(73) Assignee: **3M Innovative Properties Company**,
St. Paul, MN (US)

DESCRIPTION

(**) Term: **14 Years**

FIG. 1 is a perspective view of a water treatment device showing the new design;

(21) Appl. No.: **29/344,698**

FIG. 2 is a front view thereof;

(22) Filed: **Oct. 2, 2009**

FIG. 3 is a back view thereof;

(51) **LOC (9) Cl.** **23-01**

FIG. 4 is a left side view thereof, the right side view being a mirror image of the left side view shown;

(52) **U.S. Cl.** **D23/207; D7/400**

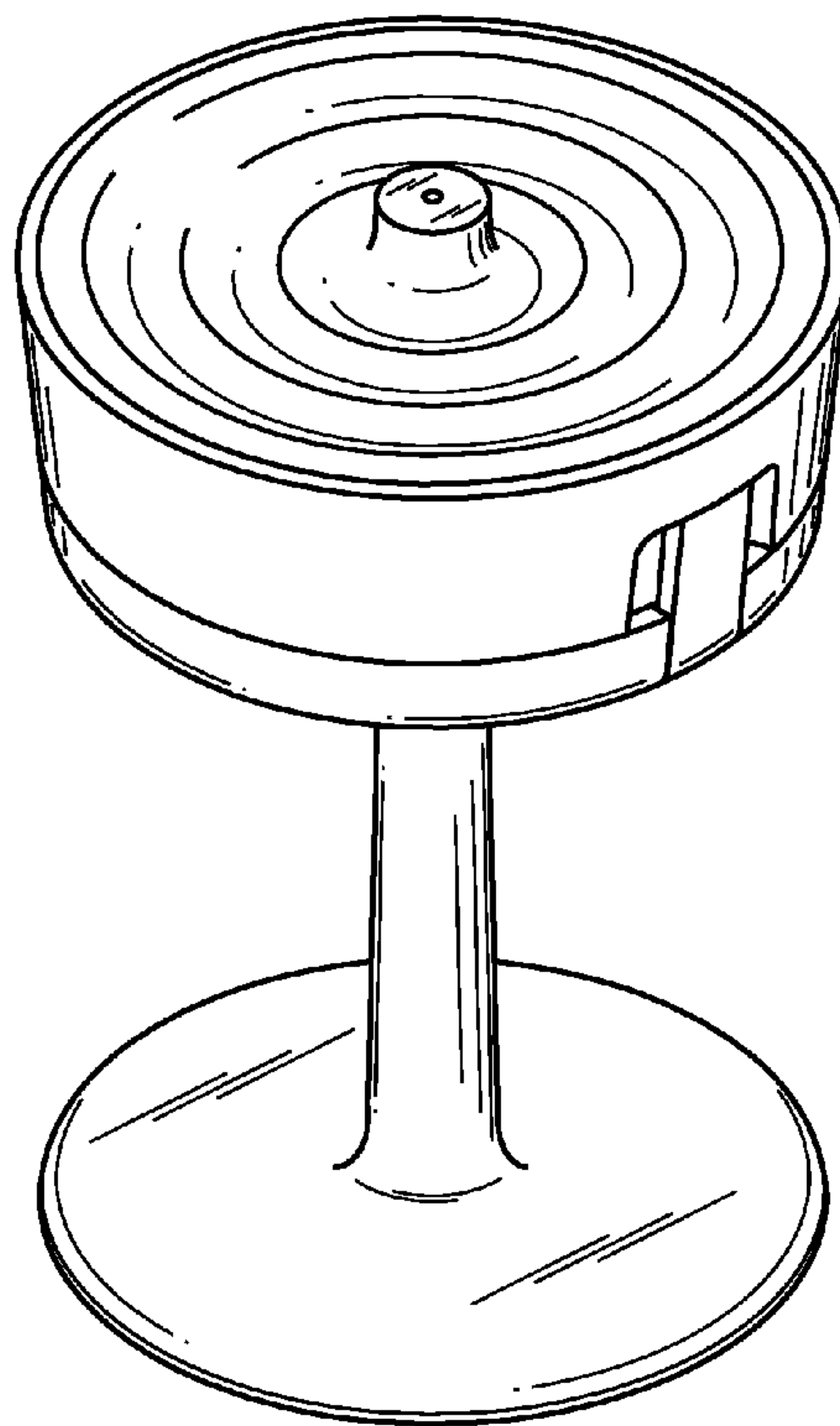
FIG. 5 is a bottom view thereof; and,

(58) **Field of Classification Search** **D23/207,**
D23/209; D7/399, 400, 401; 141/59; 210/455;
208/188

FIG. 6 is a top view thereof.

See application file for complete search history.

1 Claim, 3 Drawing Sheets



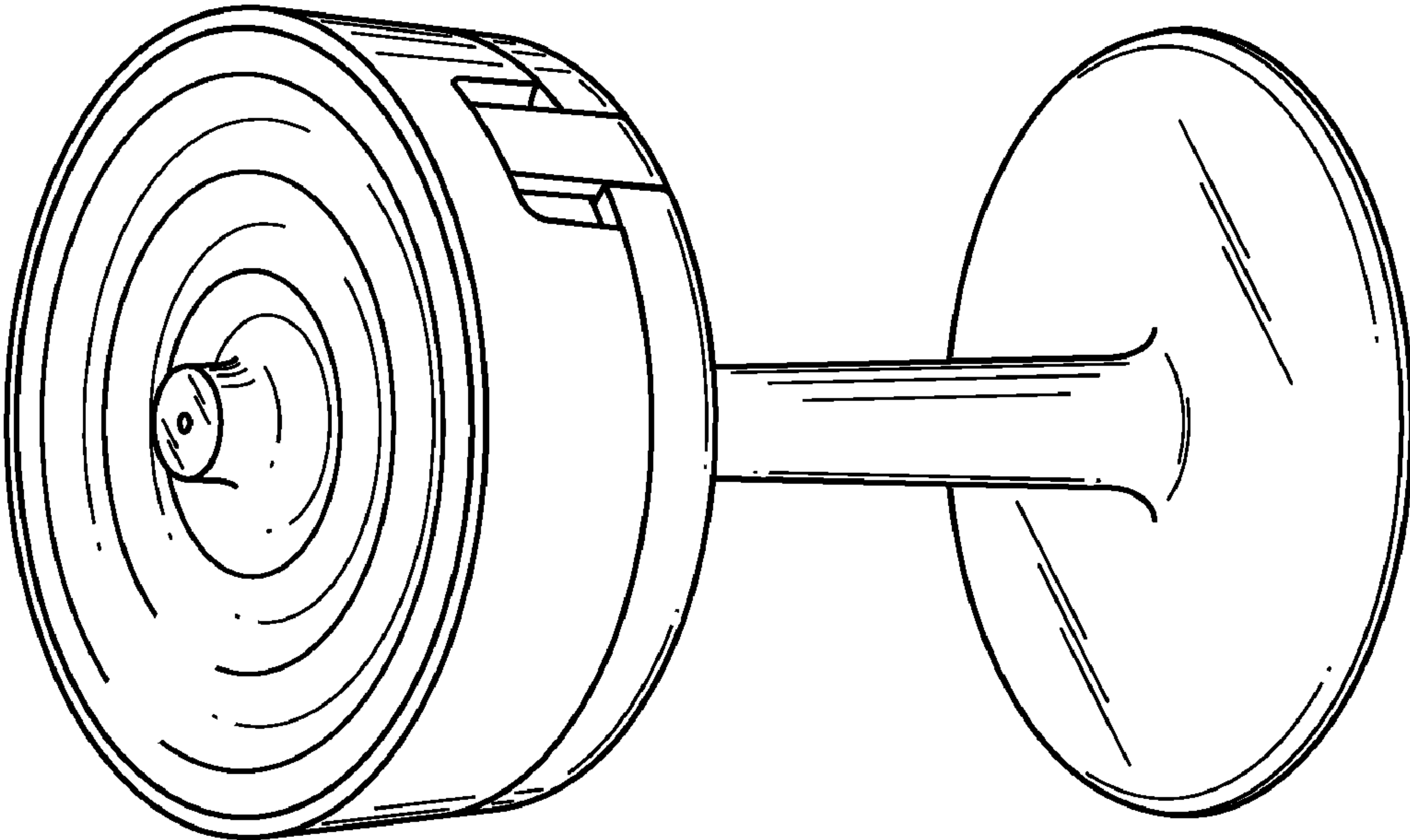


FIG. 1

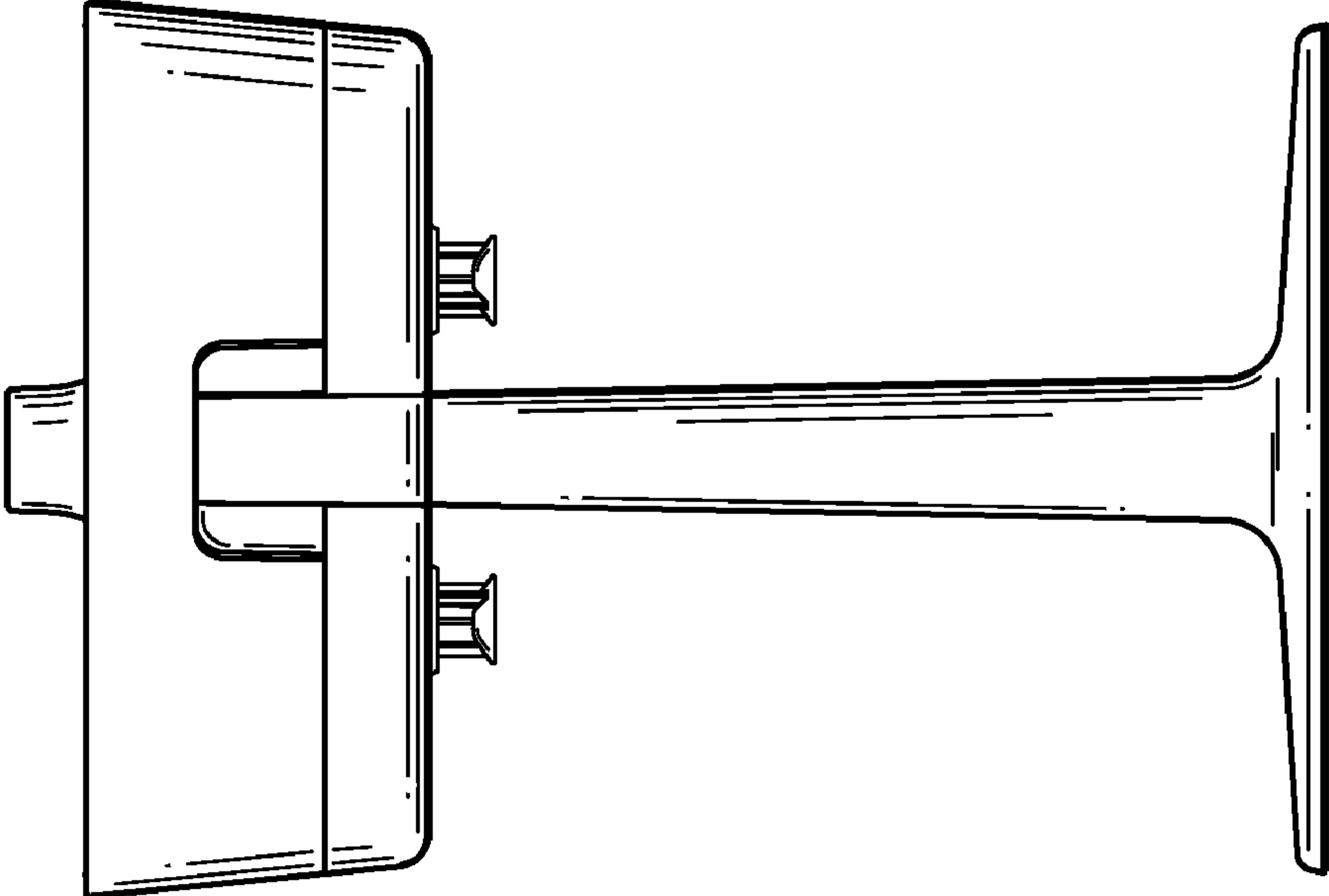


FIG. 2

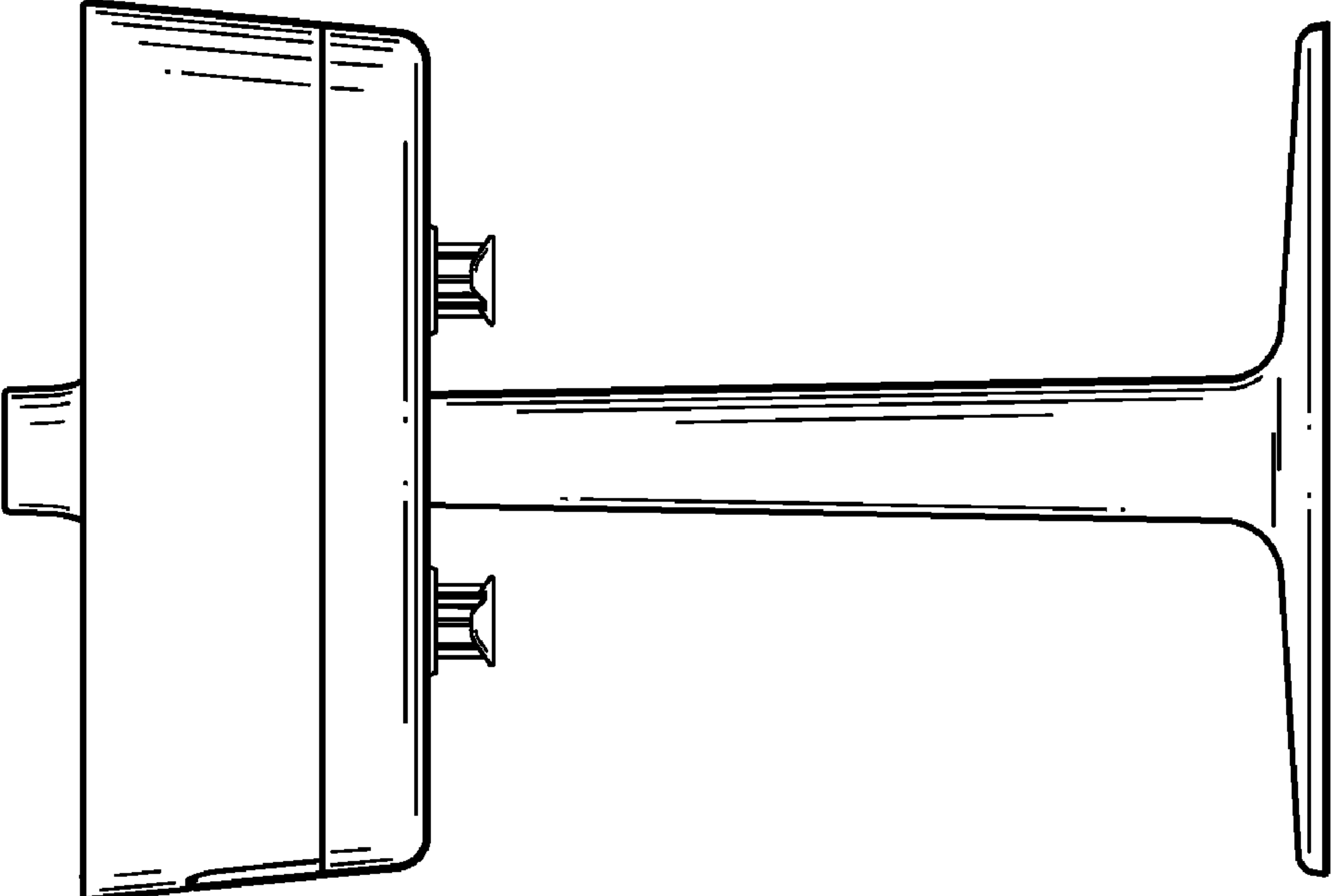


FIG. 4

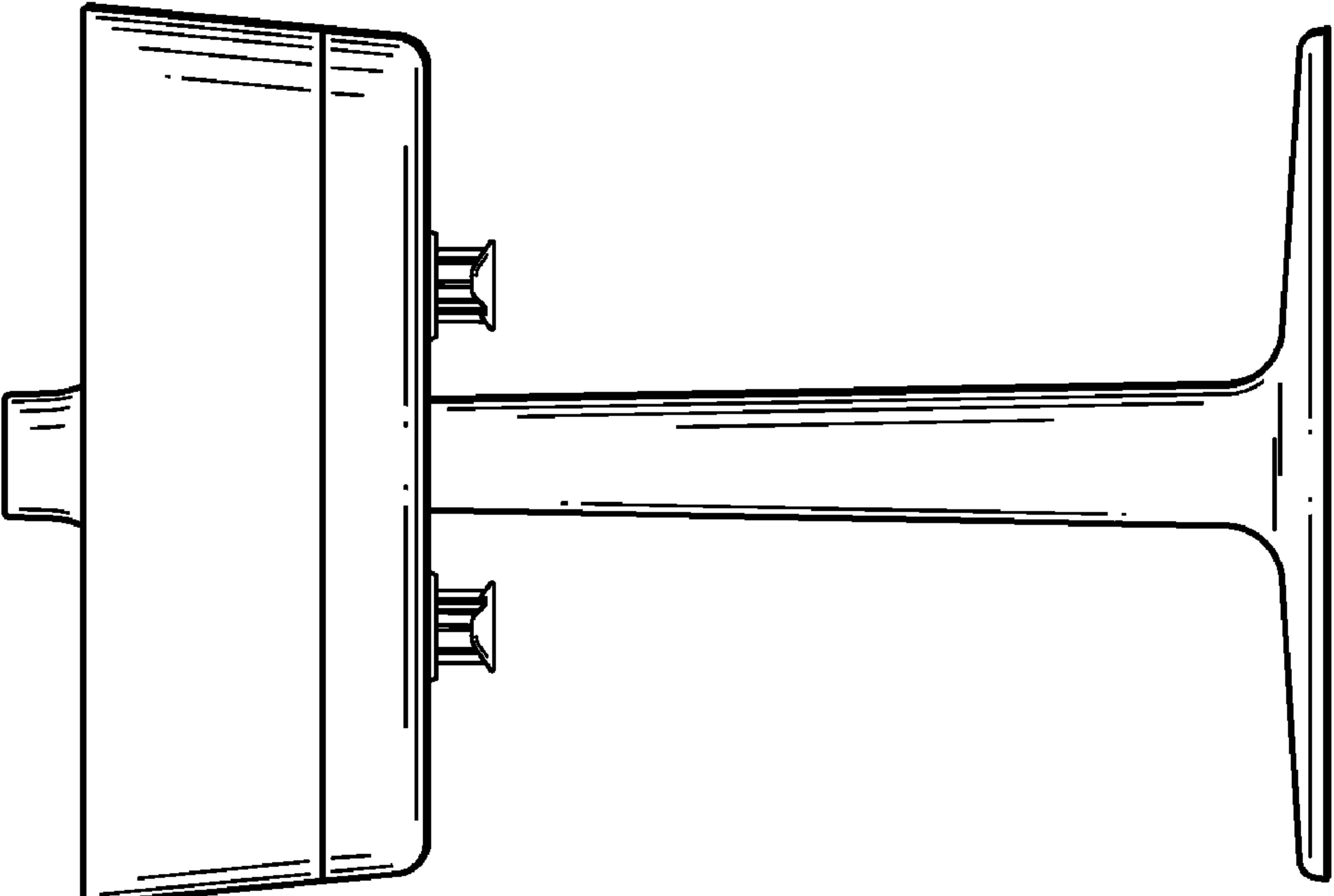


FIG. 3

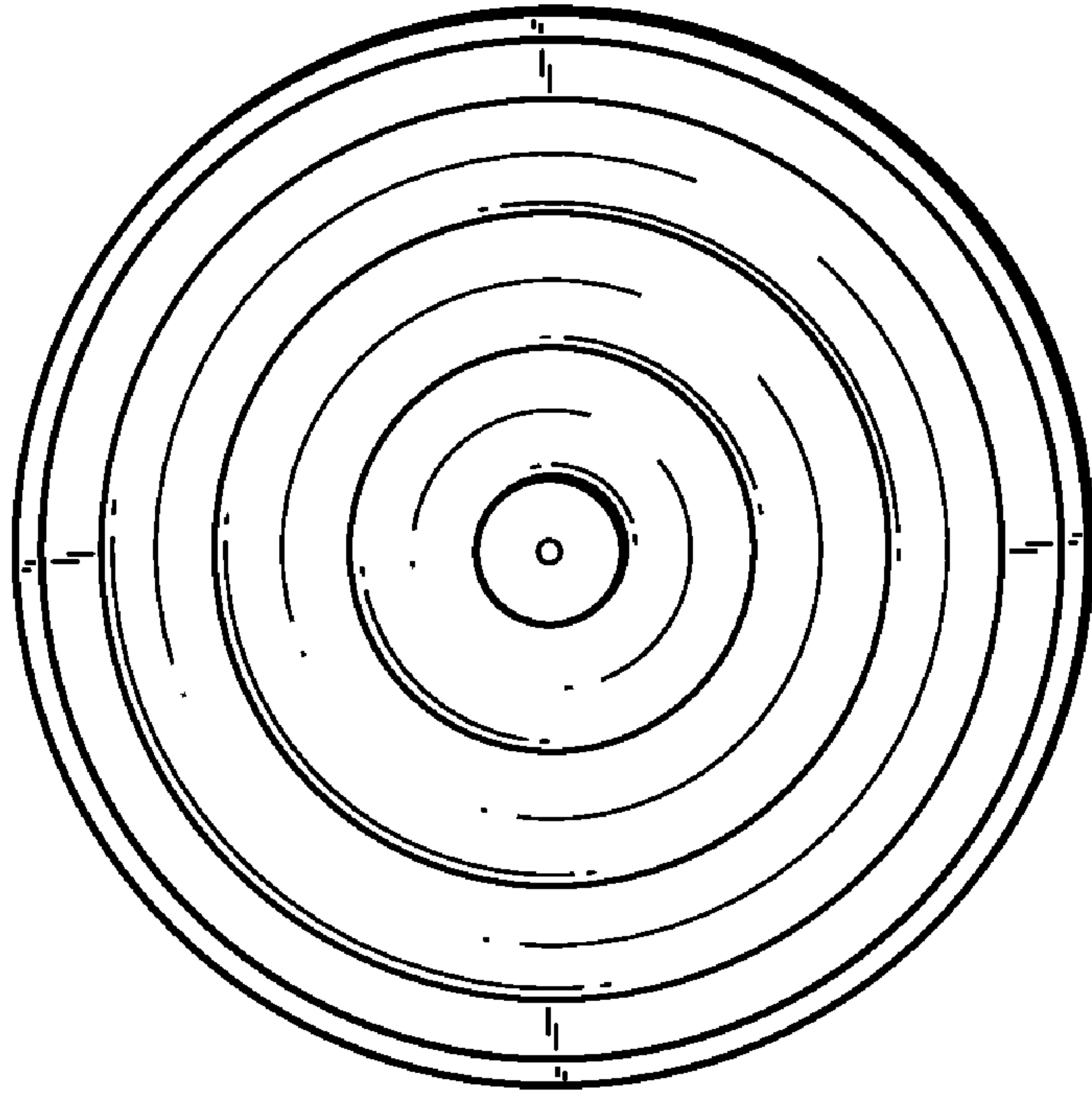


FIG. 6

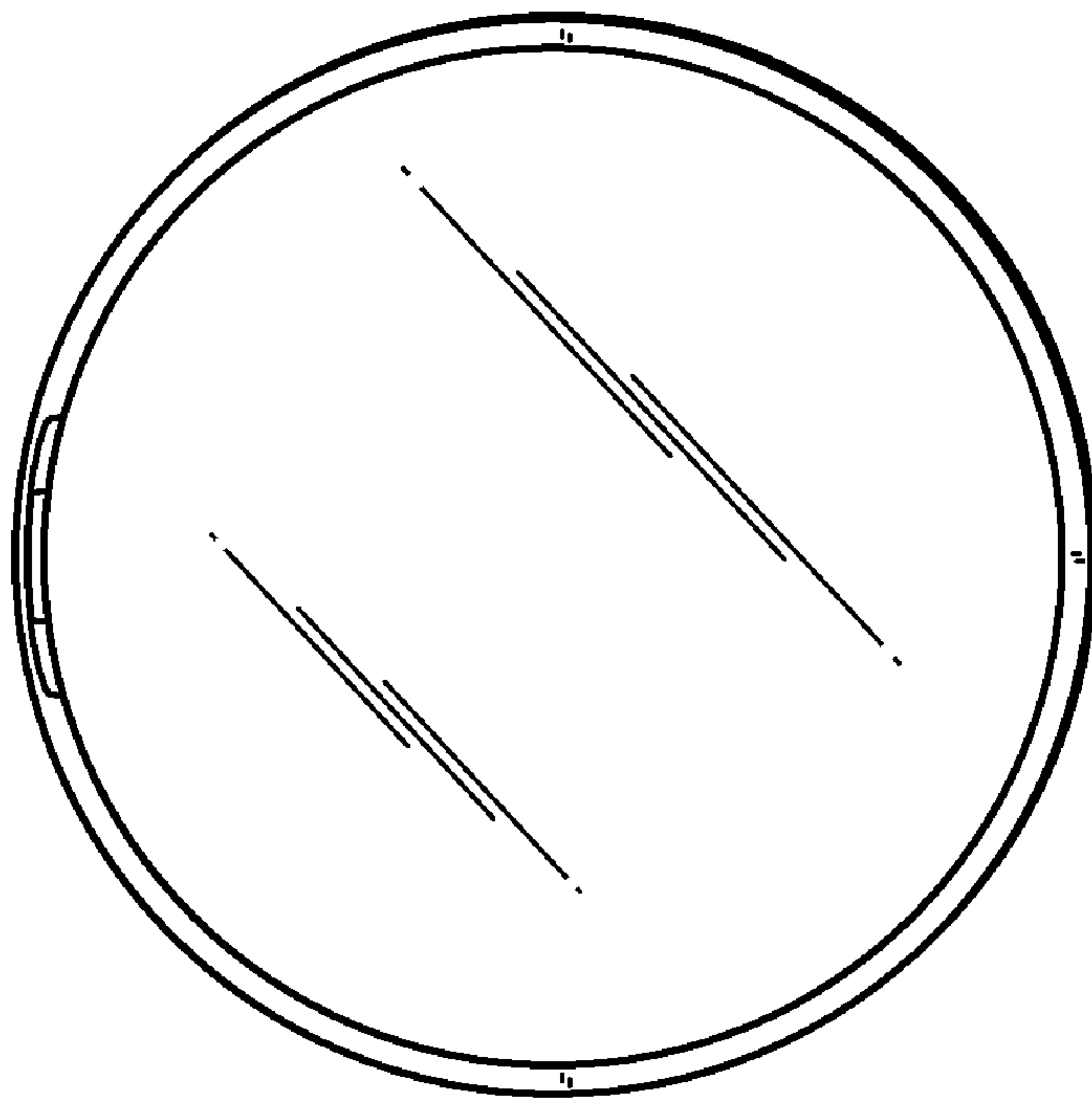


FIG. 5