



US00D626620S

(12) **United States Design Patent**
Hicks

(10) **Patent No.:** **US D626,620 S**

(45) **Date of Patent:** **** Nov. 2, 2010**

(54) **RIFLE REST**

(76) **Inventor:** **Kim Melvin Hicks**, P.O. Box 1698, 110
N. Milam #149, Fredericksburg, TX (US)
78624

(**) **Term:** **14 Years**

(21) **Appl. No.:** **29/352,993**

(22) **Filed:** **Dec. 30, 2009**

(51) **LOC (9) Cl.** **22-99**

(52) **U.S. Cl.** **D22/199**

(58) **Field of Classification Search** D22/100,
D22/108, 199; D8/1, 380, 381; D6/329,
D6/396, 417, 552, 553, 567; 42/94; 89/37.04;
211/13.1, 49.1, 60.1, 64, 70.5, 86.01, 87.01,
211/88.01, 89.01, 181.1, 560; 248/121, 175,
248/200, 302, 304, 309.1, 310, 312; D21/385,
D21/662, 698

See application file for complete search history.

(56) **References Cited**

U.S. PATENT DOCUMENTS

3,445,082	A	5/1969	Proctor et al.	
4,007,554	A *	2/1977	Helmstadter	42/94
4,026,057	A	5/1977	Cady	
4,409,751	A	10/1983	Goda et al.	
5,070,636	A	12/1991	Mueller	
5,081,783	A	1/1992	Jarvis	
5,622,341	A *	4/1997	Stana	248/74.1
6,446,848	B1 *	9/2002	Swisher	223/112
6,484,913	B1 *	11/2002	Hancock et al.	224/401
D476,290	S *	6/2003	Gates et al.	D12/408
6,574,899	B1	6/2003	Mostello	
6,877,266	B1	4/2005	Brownlee	
D519,183	S	4/2006	Minneman	
D540,904	S	4/2007	Werner	
7,281,347	B2	10/2007	Carpenter	
7,337,934	B2 *	3/2008	Alling et al.	224/401
7,356,960	B1 *	4/2008	Knitt	42/94
7,584,690	B2	9/2009	Cauley	
7,587,854	B2	9/2009	Werner	
D617,532	S *	6/2010	Zeller et al.	D2/642

2003/0173388	A1 *	9/2003	Hancock et al.	224/547
2004/0113041	A1 *	6/2004	Hancock et al.	248/688
2005/0115137	A1	6/2005	Minneman	
2007/0068379	A1	3/2007	Sween et al.	
2009/0205238	A1 *	8/2009	Willis, Jr.	42/94
2009/0249675	A1	10/2009	Cauley	

OTHER PUBLICATIONS

Disclosure Statement of Kim Melvin Hicks, signed Apr. 22, 2010.
BogGear Advertising Materials submitted in Trademark Application
Ser. No. 77738468, Attachments #1-20, generated Jun. 30, 2009.

(Continued)

Primary Examiner—T. Chase Nelson
Assistant Examiner—Michael A Pratt
(74) *Attorney, Agent, or Firm*—Wong, Cabello, Lutsch,
Rutherford & Brucculeri, LLP

(57) **CLAIM**

The ornamental design for a rifle rest, as shown and described.

DESCRIPTION

This application is filed concurrently with U.S. Design application Ser. No. 29/352,991, entitled "Shooting Rest", which is incorporated herein by reference in its entirety.

FIG. 1 is a perspective view of a rifle rest showing my new design.

FIG. 2 is a front view thereof.

FIG. 3 is a back view thereof.

FIG. 4 is a right side view thereof.

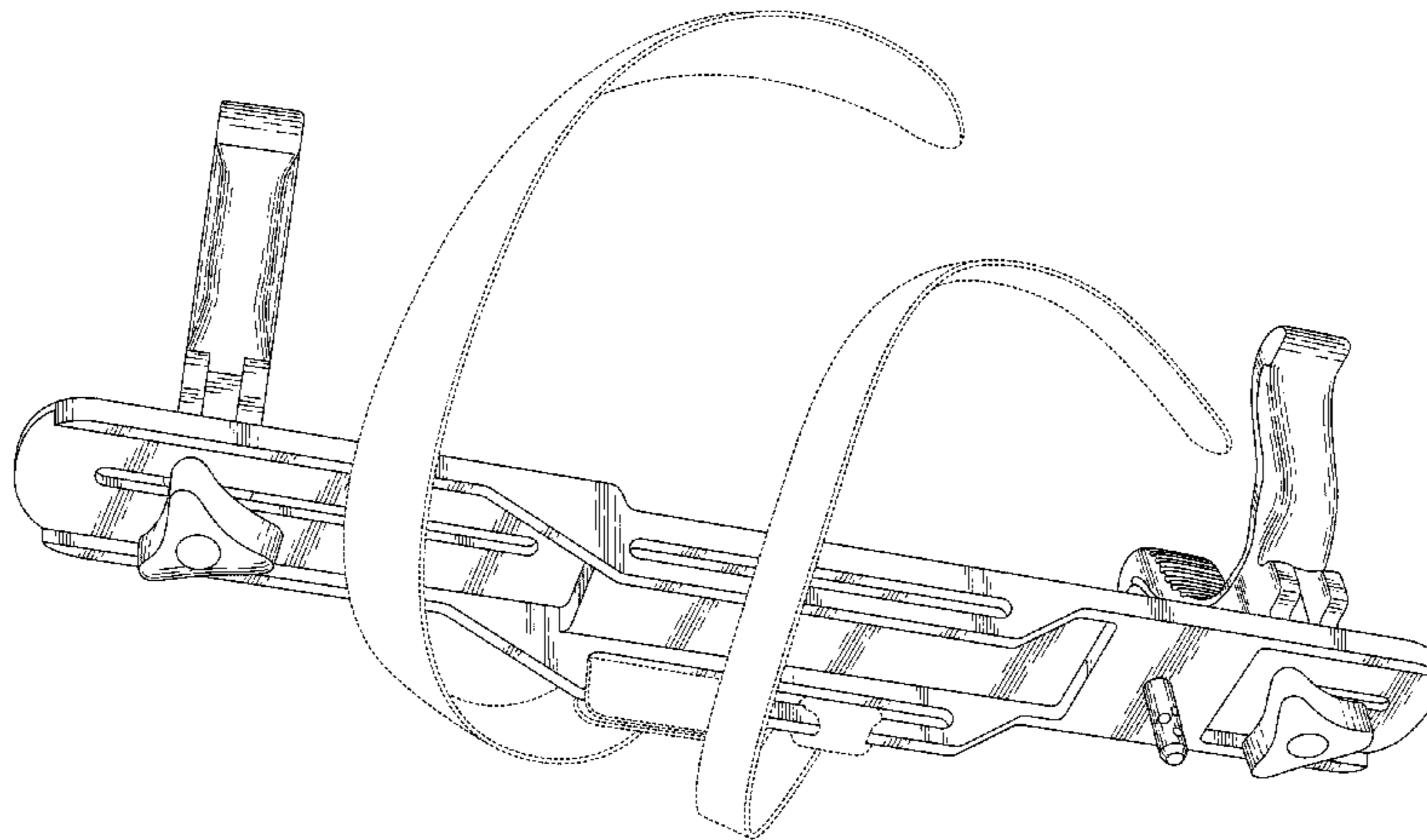
FIG. 5 is a left side view thereof.

FIG. 6 is a top view thereof; and,

FIG. 7 is a bottom view thereof.

The broken line showing of environmental structures in FIGS. 1-7 are for illustrative purposes only and form no part of the claimed design.

1 Claim, 6 Drawing Sheets



OTHER PUBLICATIONS

Other Advertising Materials submitted in Trademark Application Ser. No. 77738468, Attachments #21-33, generated Jun. 30, 2009.

“BOG-POD Advertisement,” Blackpowder Guns & Hunting Magazine, Fall 2007.

“BOG-POD Advertisement,” America’s Freedom Magazine, Jul. 2007.

BOG-POD Advertisement, Gun Hunter Magazine, Aug. 2007.

“Western . . .,” Gun World Magazine, Oct. 2007.

“BOG-POD TRI-POD,” Guns Magazine, Nov. 2007.

“BOG-POD,” Guns Magazine, Aug. 2007.

“New Load for an Old Favorite,” Guns & Ammo Magazine, Sep. 2007.

“The Right Stuff,” Heartland USA Magazine, Sept./Oct. 2007.

“BOG-POD featured,” North American Hunter Magazine, Nov. 2007.

“BOG-POD Advertisement,” Outdoor Life Magazine, Apr. 2007.

“BOG-POD-3 Tripod,” Rifle Magazine, Jul. 2007.

“Warm Layers for Cool Safaris,” Sports Afield Magazine, Nov. 2007.

“BOG Gear BOG-PODS,” Sports Afield Magazine, Jan. 2008.

“BOG Gear,” Turkey Call Magazine, Sept./Oct. 2007.

“Pro-Hunter Series Accessories,” Ultrec Engineered Produces, LLC., obtained from www.ultrec.com, generated Jan. 28, 2010.

“Pro-Hunter Sticks—Tripod,” Ultrec Engineered Produces, LLC., obtained from www.ultrec.com, generated Jan. 28, 2010.

“Pro-Hunter Sticks—Monopod,” Ultrec Engineered Produces, LLC., obtained from www.ultrec.com, generated Jan. 28, 2010.

“Pro-Hunter Sticks—Bipod,” Ultrec Engineered Produces, LLC., obtained from www.ultrec.com, generated Jan. 28, 2010.

* cited by examiner

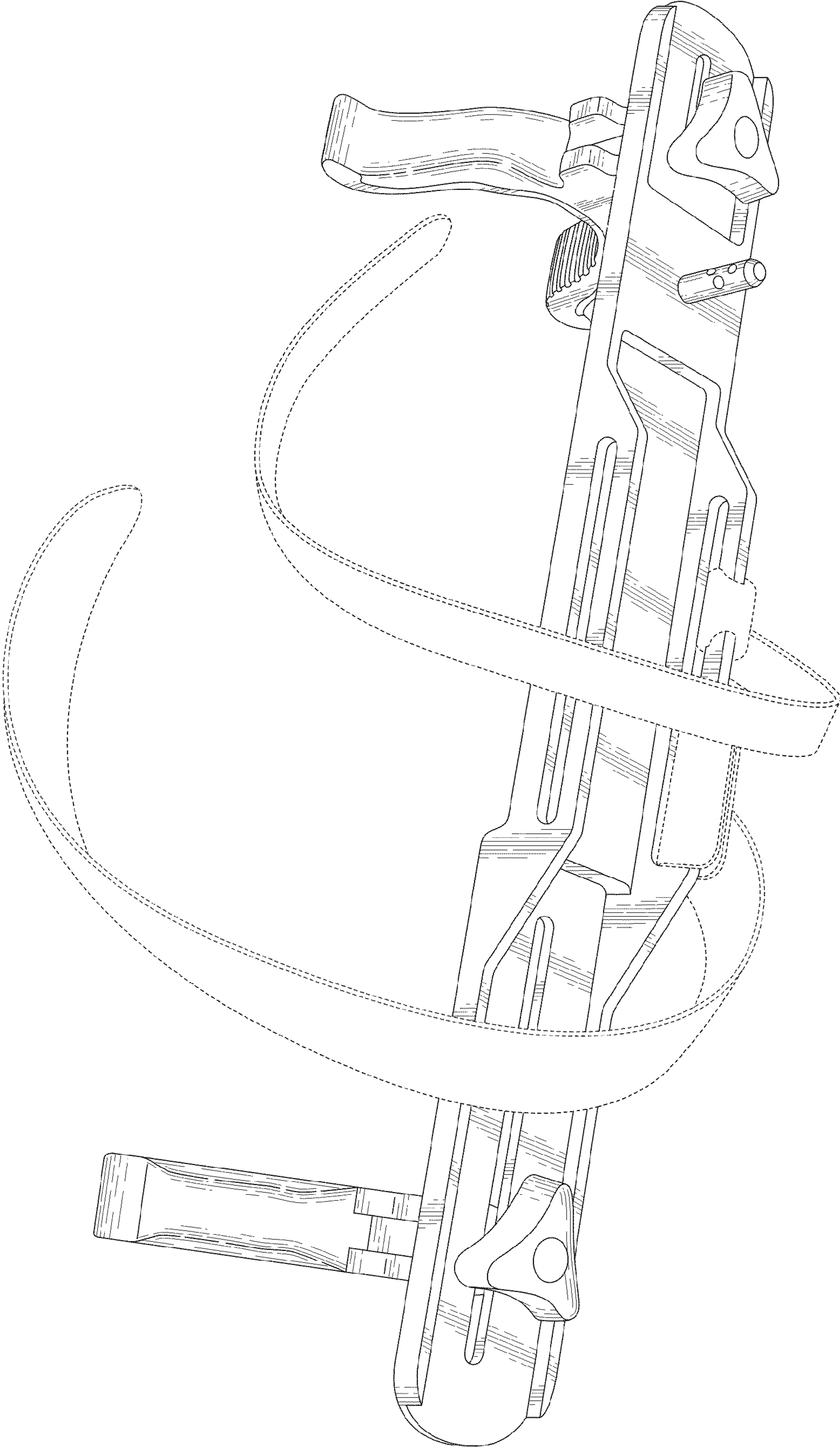


FIG. 1

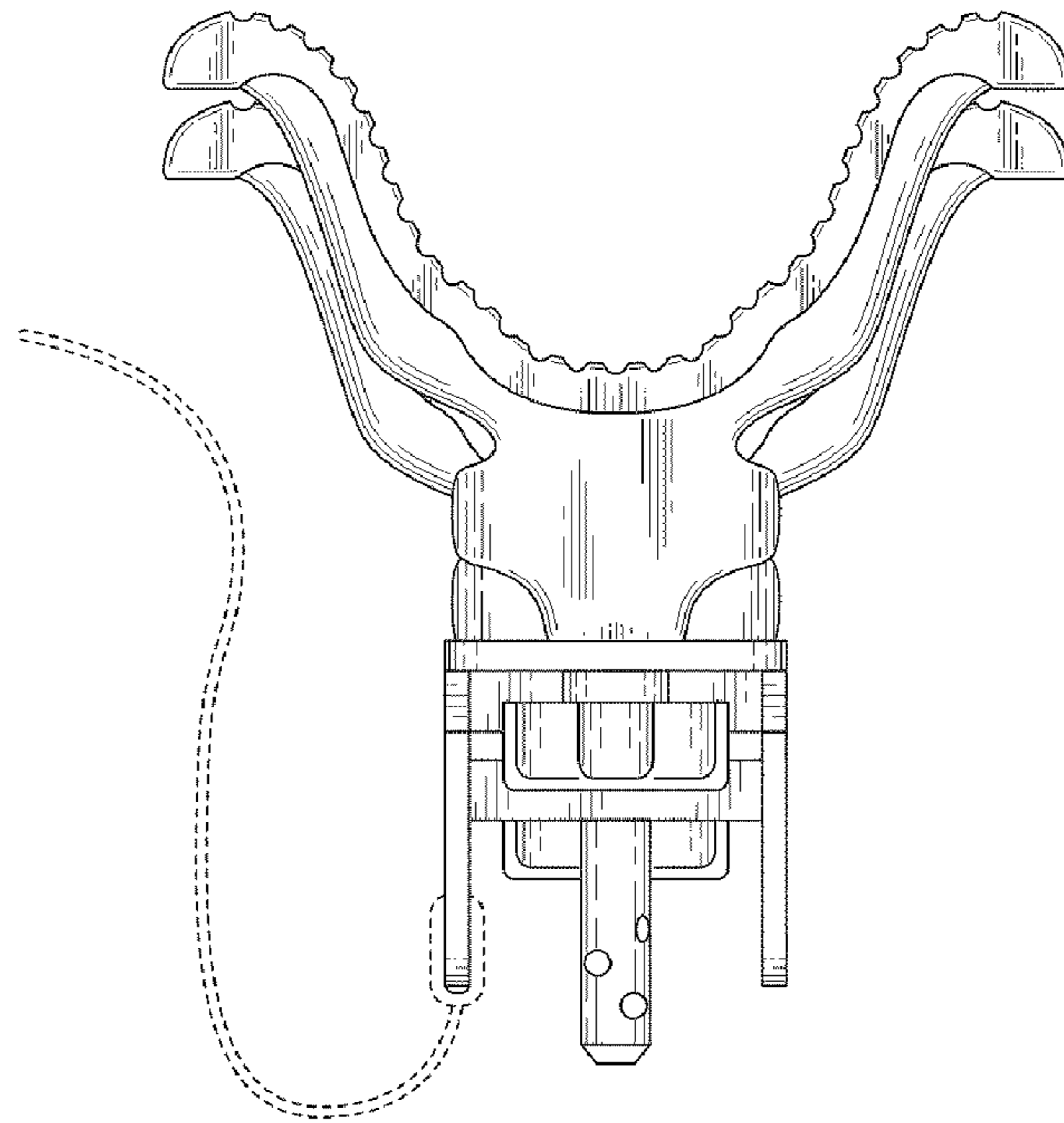


FIG. 2

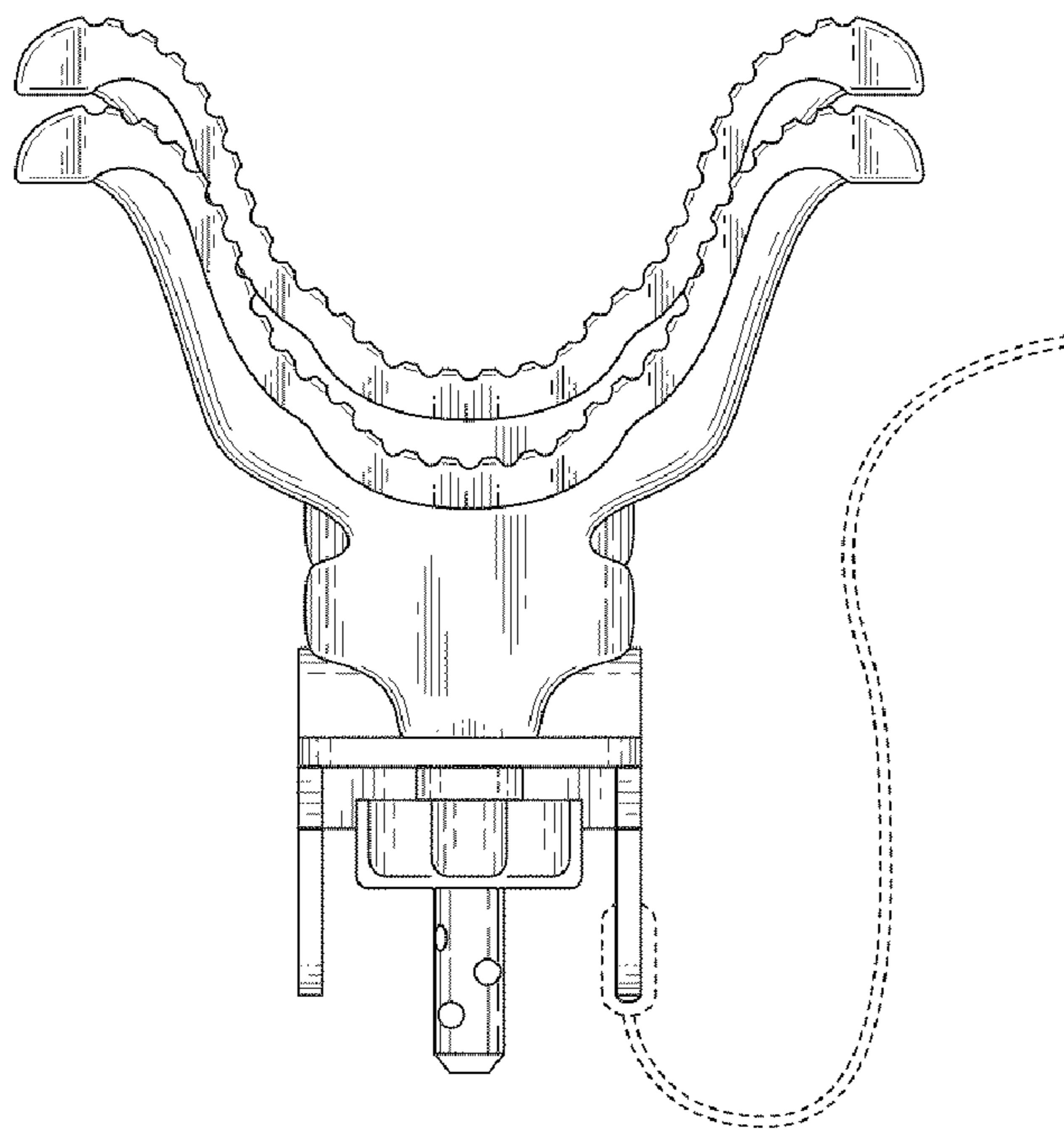


FIG. 3

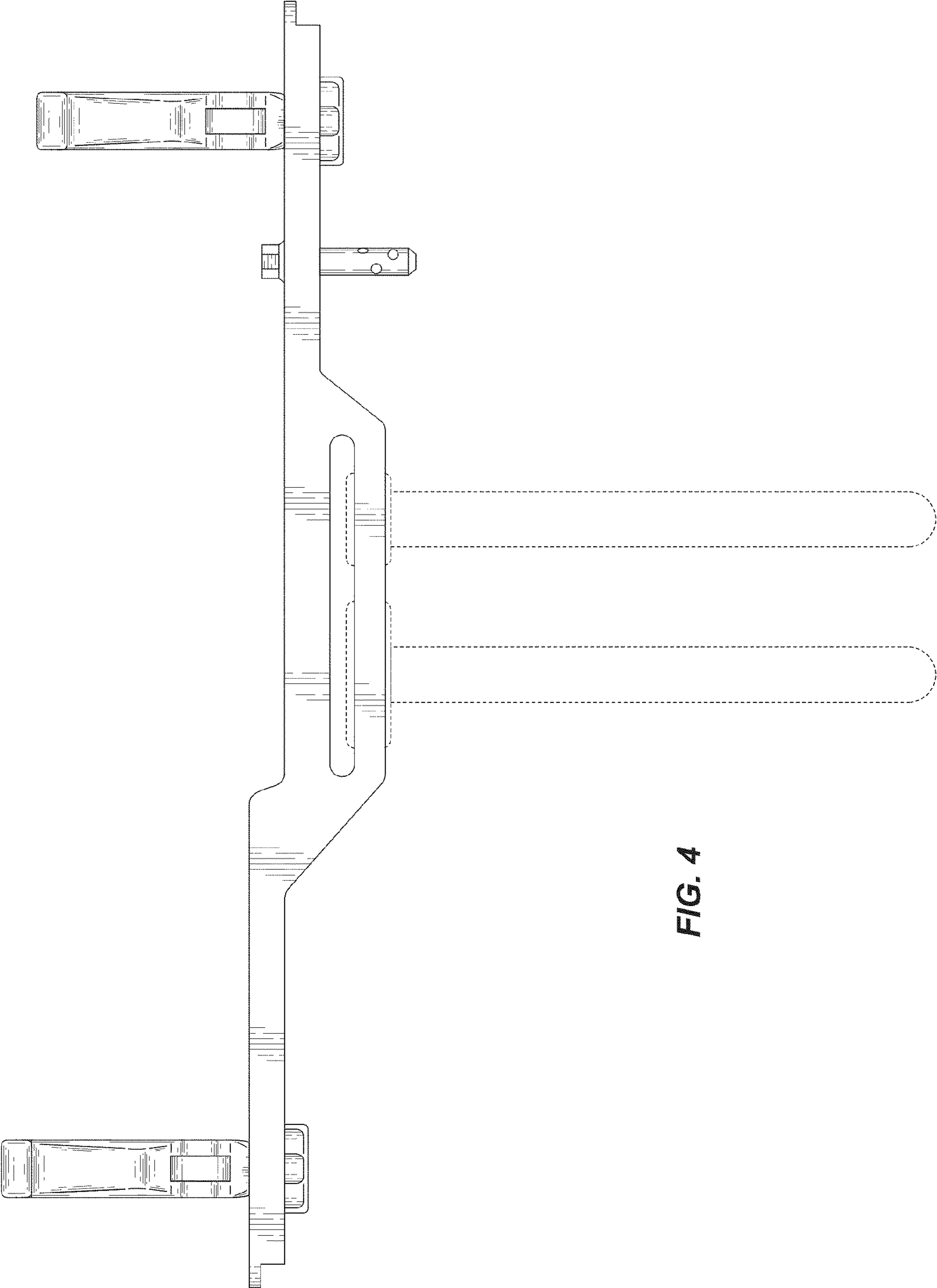


FIG. 4

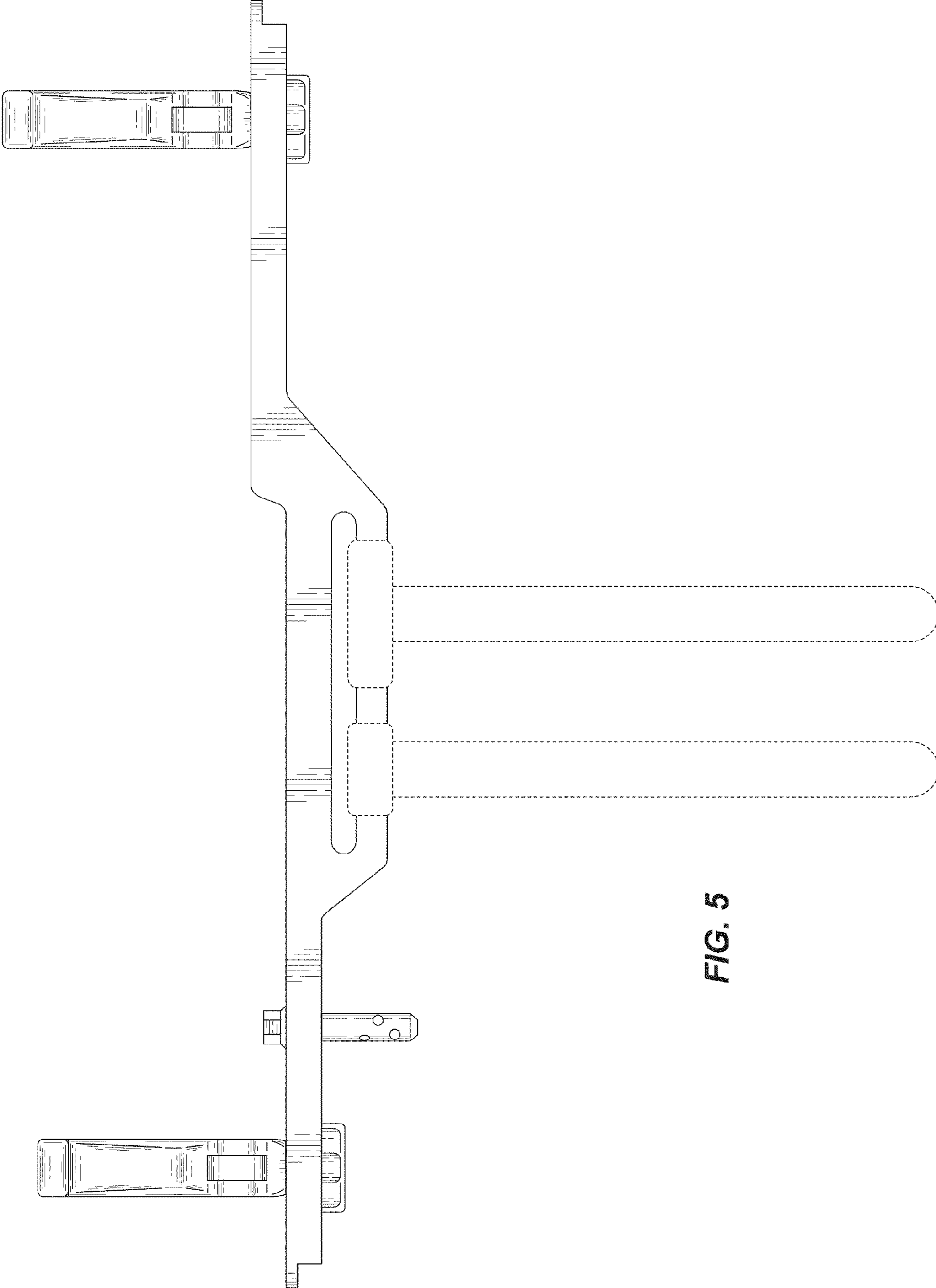


FIG. 5

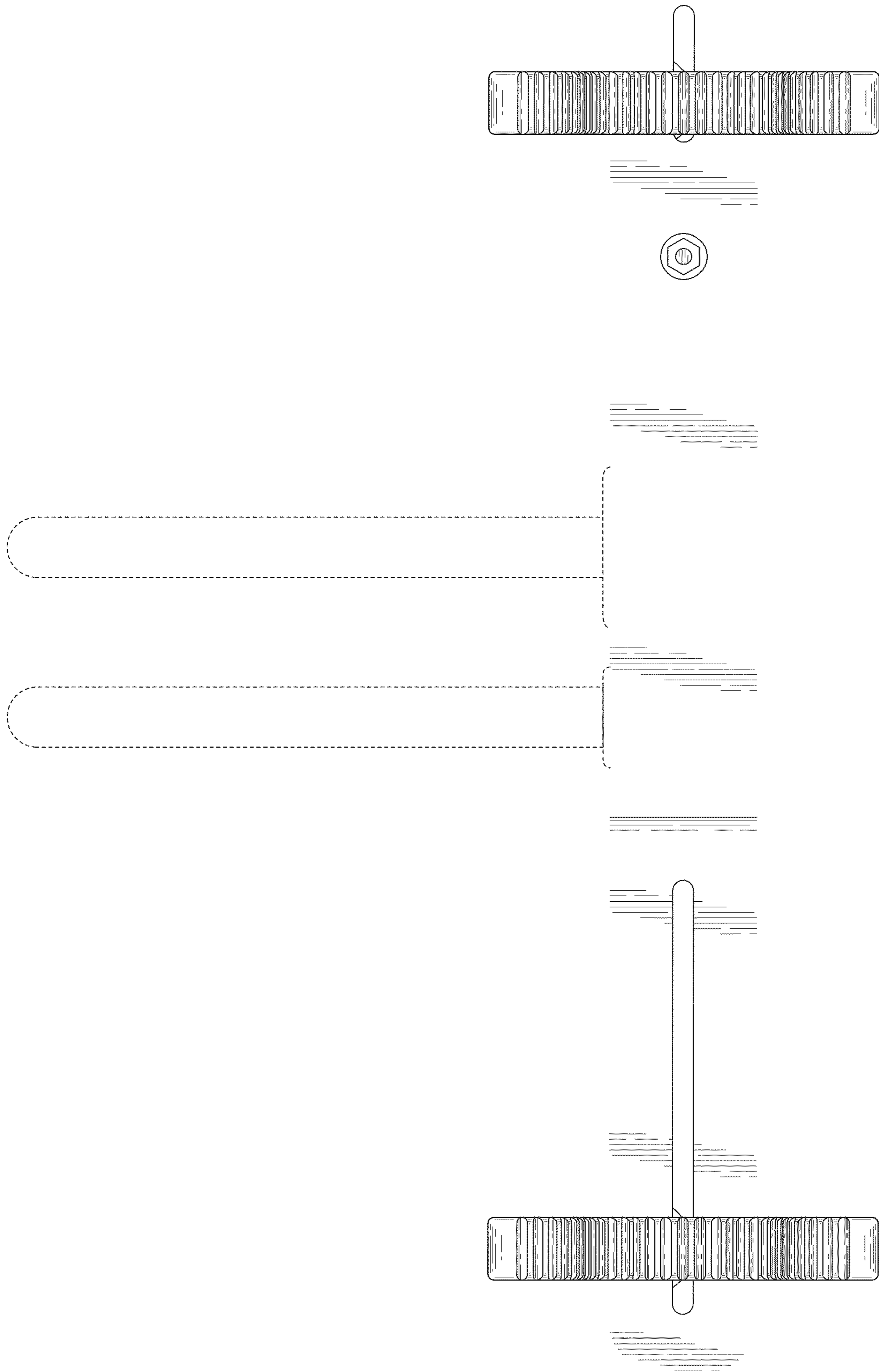


FIG. 6

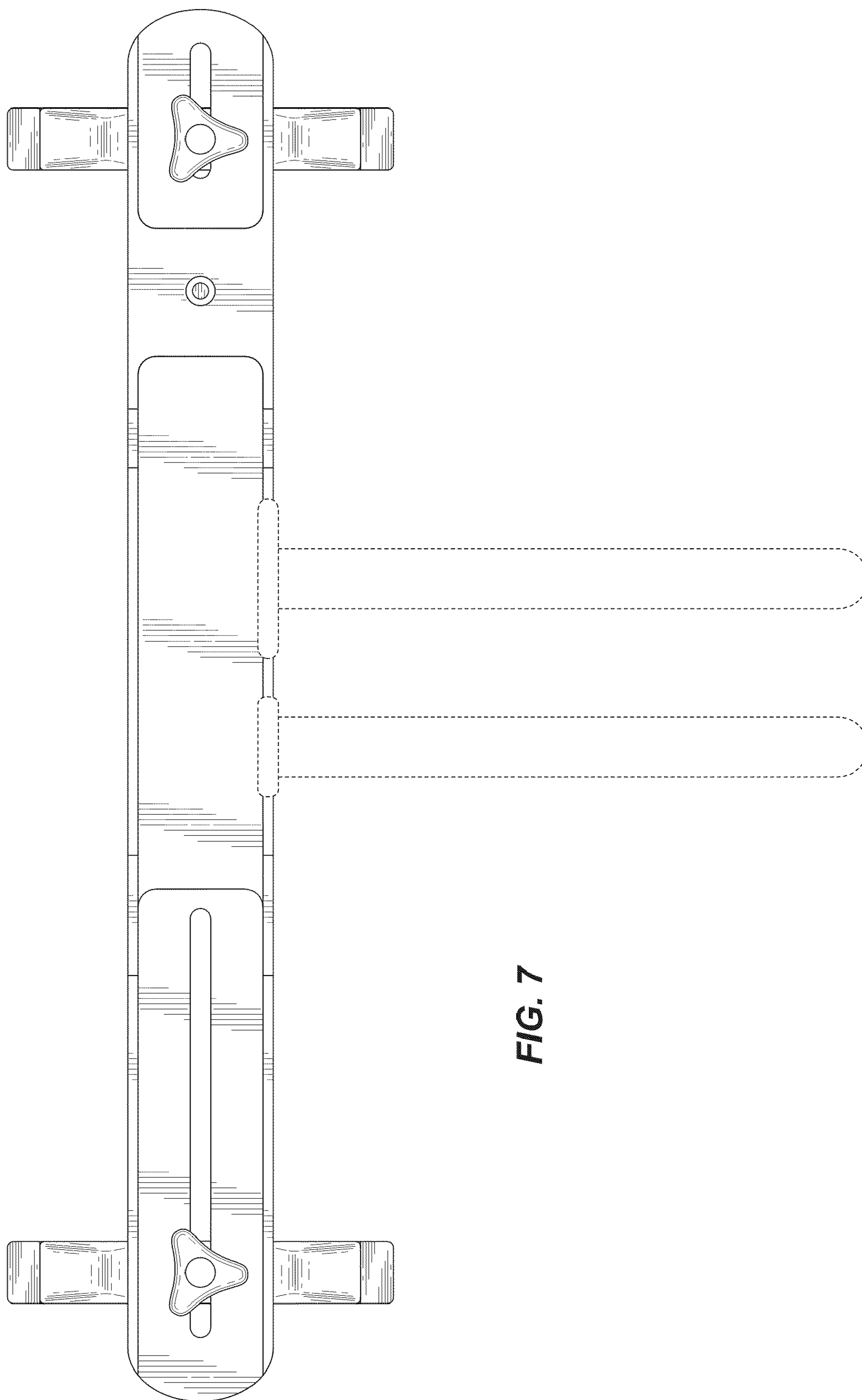


FIG. 7