



US00D626619S

(12) **United States Design Patent**
Gogol et al.

(10) **Patent No.:** **US D626,619 S**

(45) **Date of Patent:** **** *Nov. 2, 2010**

(54) **PROJECTILE**

(76) Inventors: **Frank Gogol**, 5 Mikado Road, Mount Evelyn, Victoria 3796 (AU); **John Marozzi**, 2245 Gisborne Road, Coimadah, Victoria 3340 (AU)

(**) Term: **14 Years**

(21) Appl. No.: **29/328,446**

(22) Filed: **Nov. 24, 2008**

(30) **Foreign Application Priority Data**

May 22, 2008 (AU) 12434/2008

(51) **LOC (9) Cl.** **22-03**

(52) **U.S. Cl.** **D22/116**

(58) **Field of Classification Search** D22/115, D22/116; 463/2; 102/501-510, 520; 86/19.5, 86/51-54

See application file for complete search history.

(56) **References Cited**

U.S. PATENT DOCUMENTS

2,264,266 A * 11/1941 Jacobs et al. 148/650
D343,439 S * 1/1994 Kuczewski D22/116
5,443,010 A * 8/1995 Dahlitz 102/511
6,240,850 B1 * 6/2001 Holler 102/439

D456,480 S * 4/2002 Quinsa et al. D22/116
6,845,716 B2 * 1/2005 Husseini et al. 102/466
2006/0283345 A1 * 12/2006 Feldman et al. 102/430
2007/0044644 A1 * 3/2007 Husseini 86/19.5
2008/0216700 A1 * 9/2008 Martini Filho 102/509

* cited by examiner

Primary Examiner—T. Chase Nelson

Assistant Examiner—Michael A Pratt

(74) *Attorney, Agent, or Firm*—Christensen O'Connor Johnson Kindness PLLC

(57) **CLAIM**

The ornamental design for a projectile, as shown and described.

DESCRIPTION

FIG. 1 is an isometric view of a projectile in accordance with a first embodiment of the present disclosure;

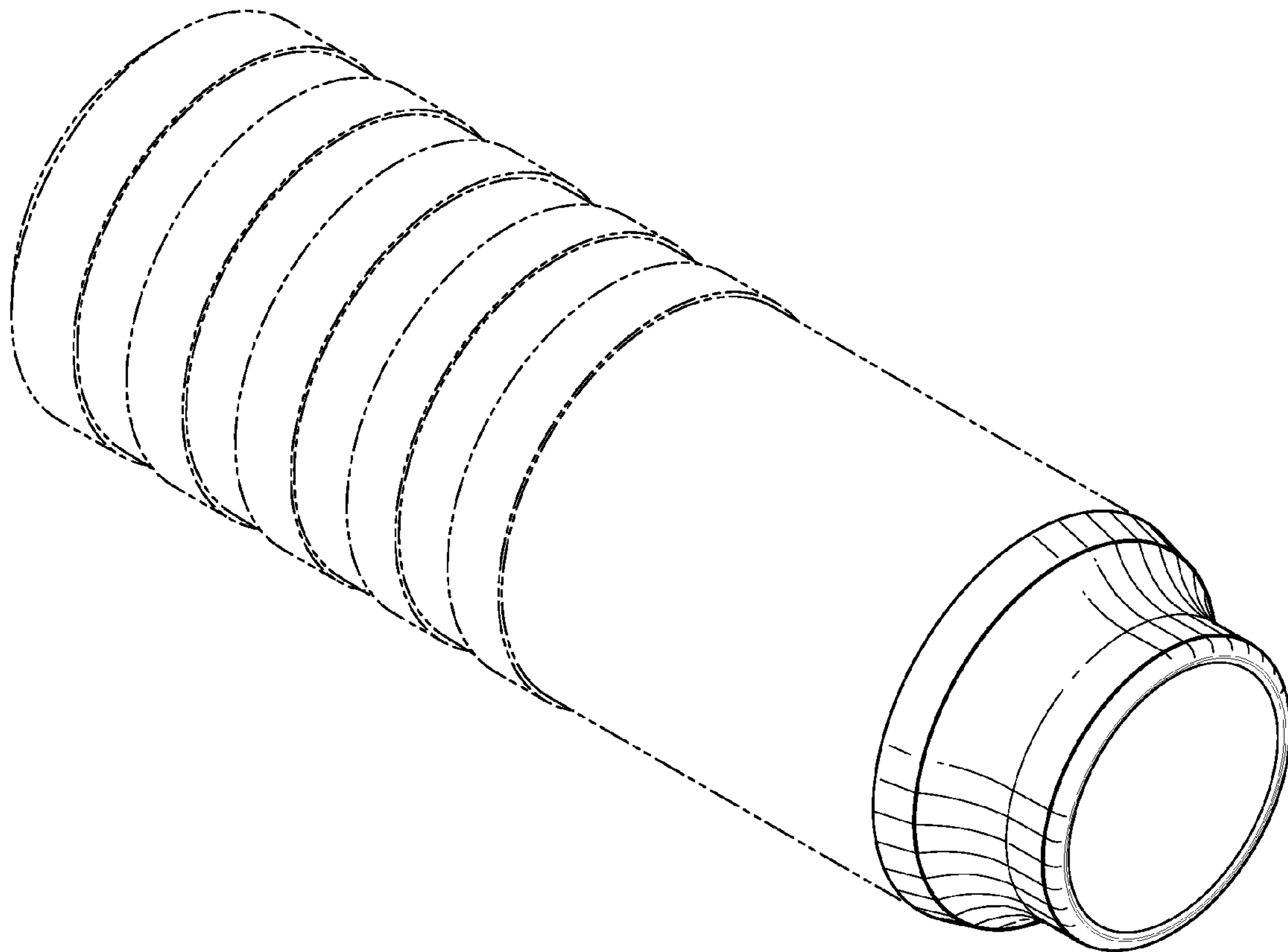
FIG. 2 is a side planar view of the projectile of FIG. 1;

FIG. 3 is an isometric view of a projectile in accordance with a second embodiment of the present disclosure; and,

FIG. 4 is a side planar view of the projectile of FIG. 3.

The subject matter shown in phantom lines is hereby disclaimed and forms no part of the claimed invention.

1 Claim, 4 Drawing Sheets



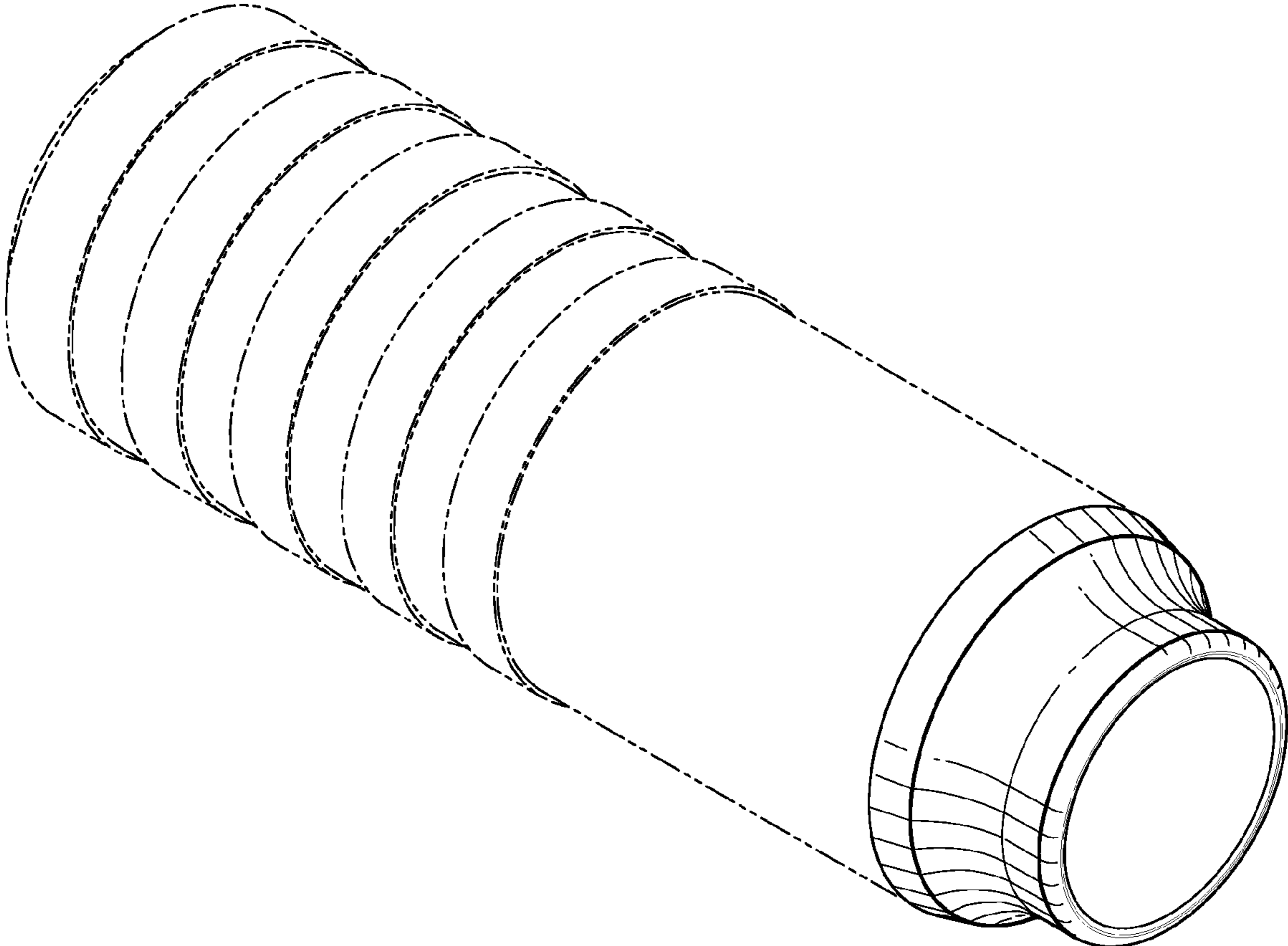


Fig. 1.

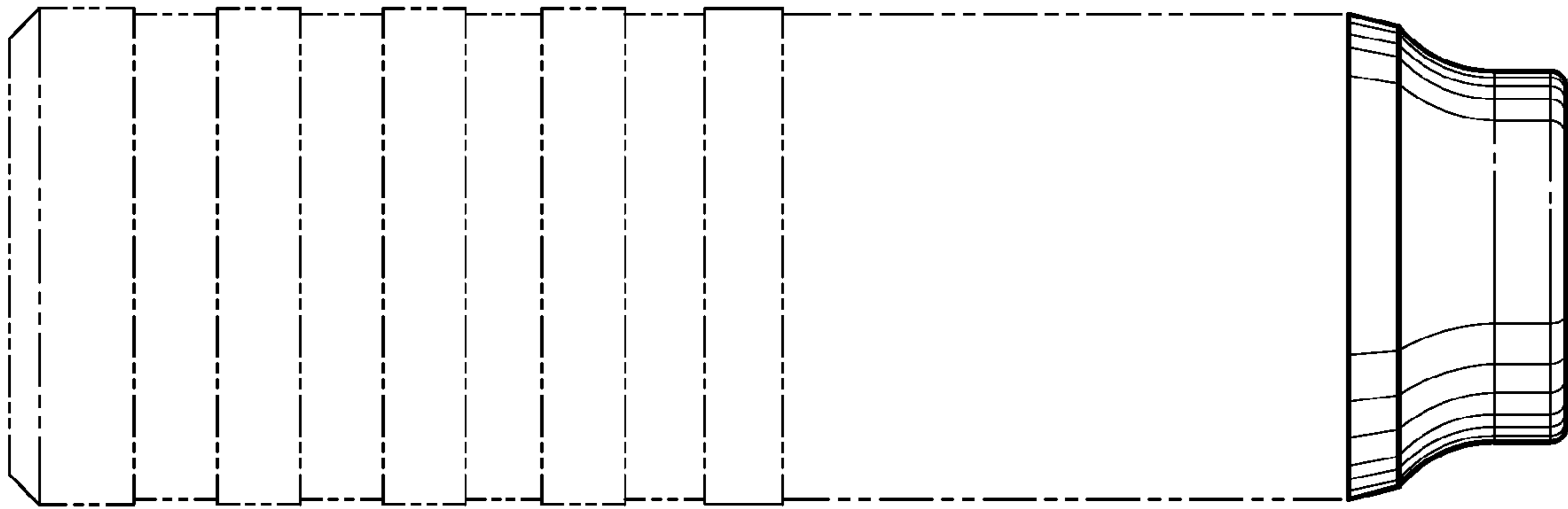


Fig. 2.

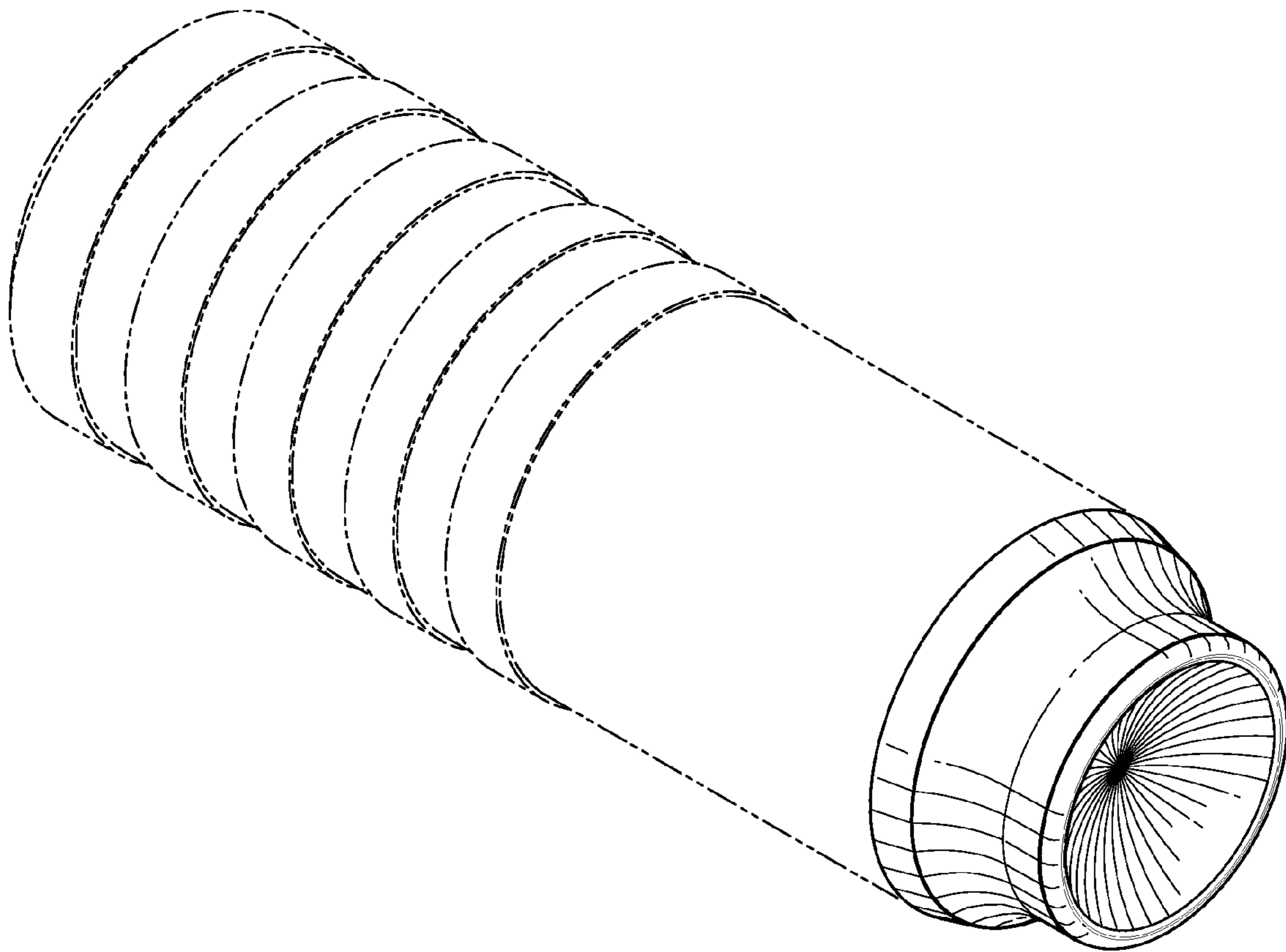


Fig.3.

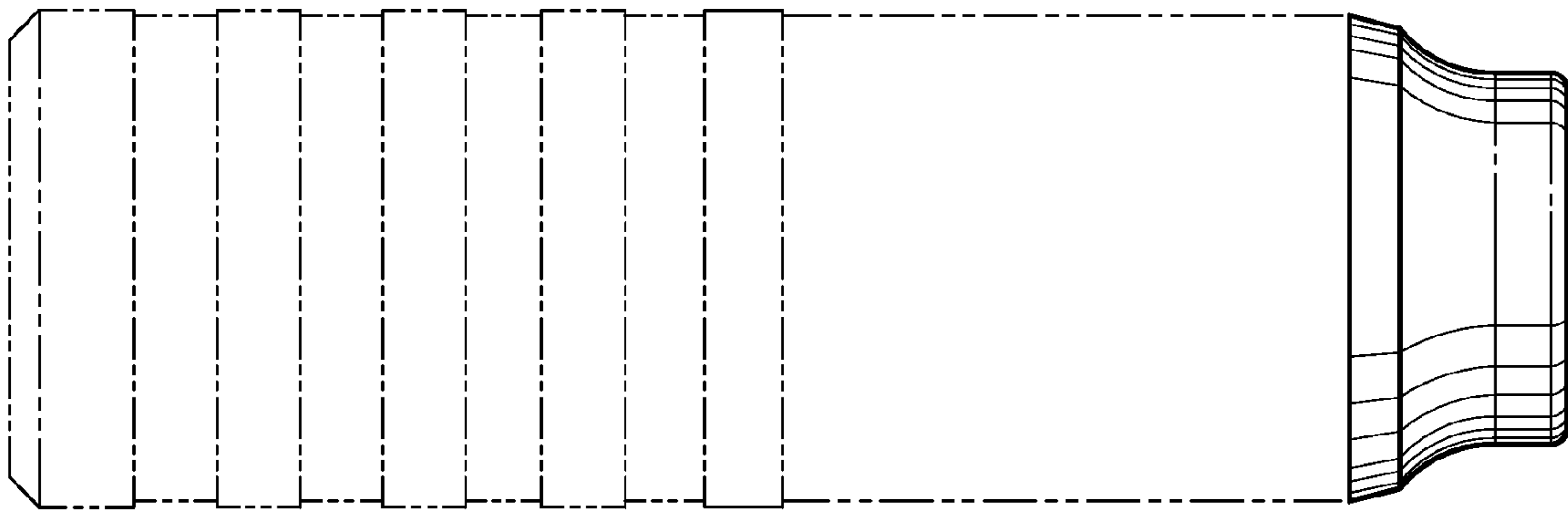


Fig.4.

UNITED STATES PATENT AND TRADEMARK OFFICE
CERTIFICATE OF CORRECTION

PATENT NO. : D626,619 S
APPLICATION NO. : 29/328446
DATED : November 2, 2010
INVENTOR(S) : Marozzi

Page 1 of 1

It is certified that error appears in the above-identified patent and that said Letters Patent is hereby corrected as shown below:

ON THE TITLE PAGE

	<u>LINE</u>	<u>ERROR</u>
Item (12)	Inventor's name	"Gogol et al." should read --Marozzi--
Item (76)	Inventor's name and address	"Frank Gogol, 5 Mikado Road, Mount Evelyn, Victoria 3796 (AU);" should read --John Marozzi, 2245 Gisbourne Road, Coimadah, Victoria 3340 (AU)--

Signed and Sealed this
Twenty-second Day of February, 2011



David J. Kappos
Director of the United States Patent and Trademark Office