



US00D626615S

(12) **United States Design Patent**  
**Isbrandt**

(10) **Patent No.:** **US D626,615 S**

(45) **Date of Patent:** **\*\* Nov. 2, 2010**

(54) **PUTTER**

(75) **Inventor:** **Derek Andrew Isbrandt**, 2 Kingswoods Dr., Doylestown, PA (US) 18938

(73) **Assignee:** **Derek Andrew Isbrandt**, Doylestown, PA (US)

(\*\*) **Term:** **14 Years**

(21) **Appl. No.:** **29/346,877**

(22) **Filed:** **Nov. 6, 2009**

(51) **LOC (9) Cl.** ..... **21-02**

(52) **U.S. Cl.** ..... **D21/759**

(58) **Field of Classification Search** ..... D21/736-746, D21/759; 473/324-331, 340-341, 251-256  
See application file for complete search history.

(56) **References Cited**

**U.S. PATENT DOCUMENTS**

D205,041	S	*	6/1966	Capps	.....	D21/759
4,455,333	A	*	6/1984	Hong et al.	.....	426/94
4,486,689	A	*	12/1984	Davis et al.	.....	315/92
4,563,727	A	*	1/1986	Curiel	.....	362/183
D296,120	S	*	6/1988	Brace	.....	D21/739
D310,115	S	*	8/1990	Iinuma	.....	D21/739
D314,031	S	*	1/1991	Iinuma	.....	D21/739

5,868,697	A	*	2/1999	Richter et al.	.....	604/8
D502,519	S	*	3/2005	Kang	.....	D21/759
D519,593	S	*	4/2006	Solari	.....	D21/791
D585,510	S	*	1/2009	Murrieta	.....	D21/736
D590,035	S	*	4/2009	Hilton	.....	D21/744

\* cited by examiner

*Primary Examiner*—Mitchell I Siegel

(57) **CLAIM**

The ornamental design for a putter, as shown and described.

**DESCRIPTION**

FIG. 1 is a top heel side perspective view of my new design for a putter with an arc shaped alignment aid.

FIG. 2 is a top view thereof;

FIG. 3 is a back view thereof;

FIG. 4 is a bottom view thereof;

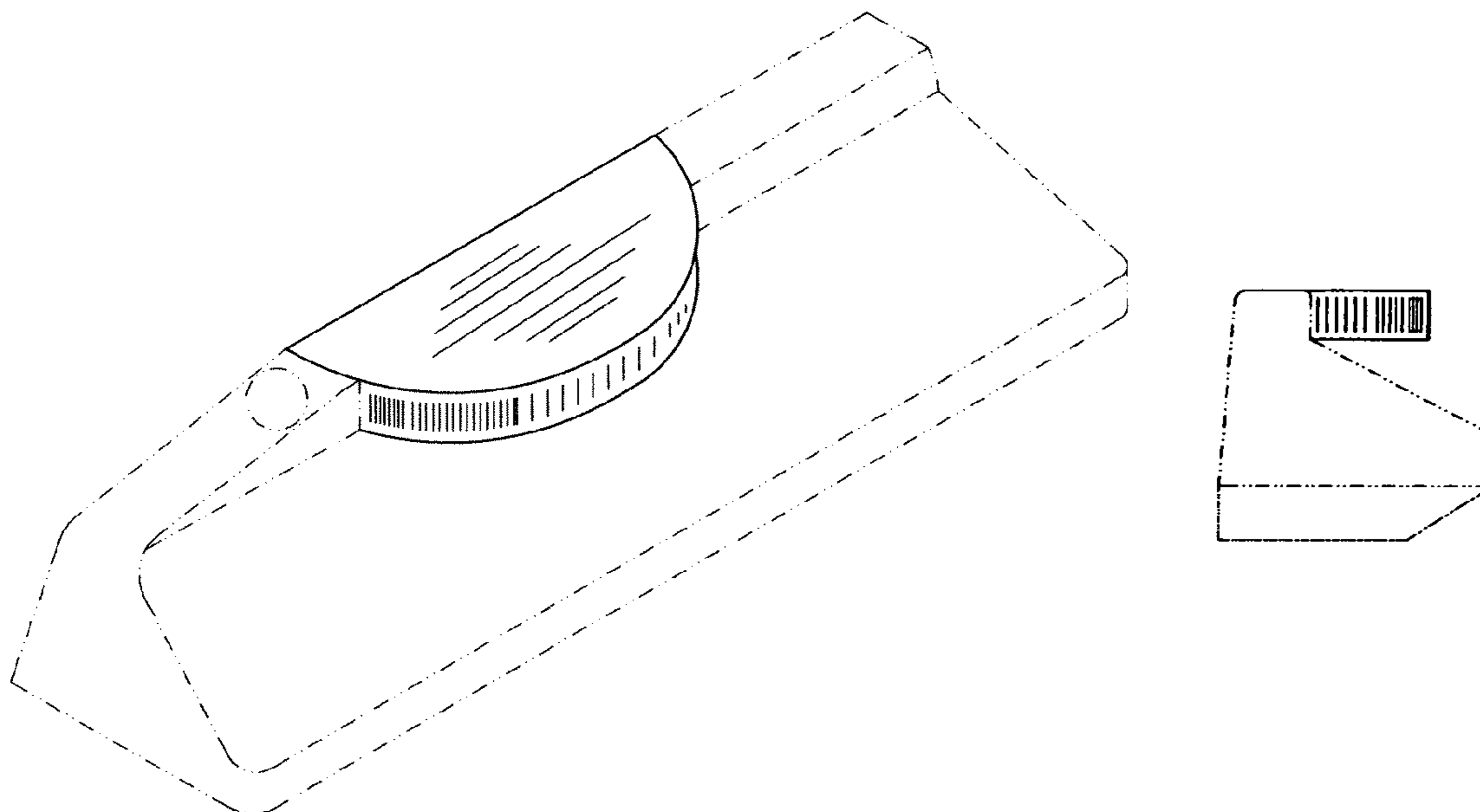
FIG. 5 is a face view thereof;

FIG. 6 is a heel side view thereof; and,

FIG. 7 is a toe side view thereof.

The portion of the club head shown in phantom is for illustrative purposes only and does not form any portion of the claimed design.

**1 Claim, 2 Drawing Sheets**



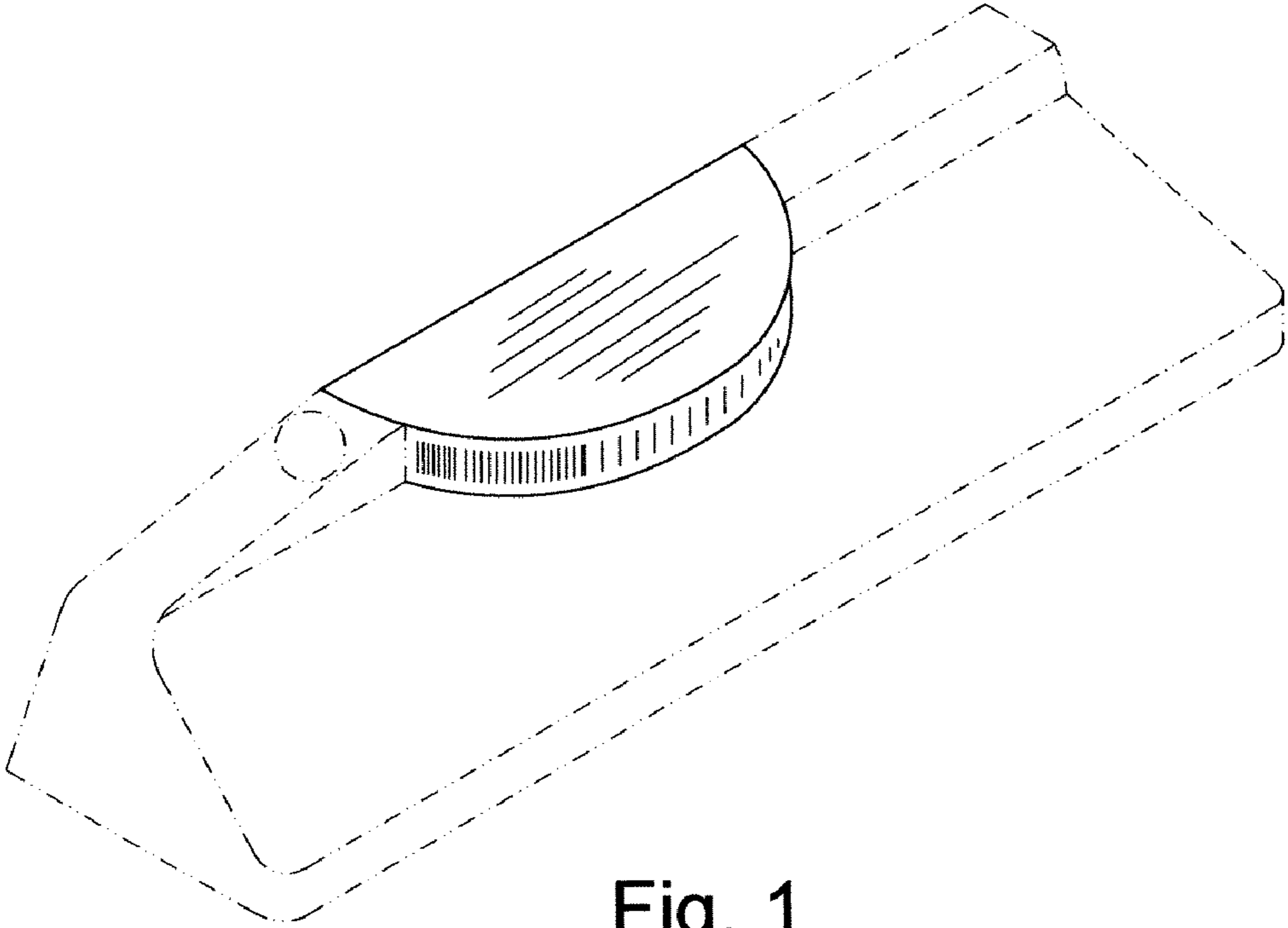


Fig. 1

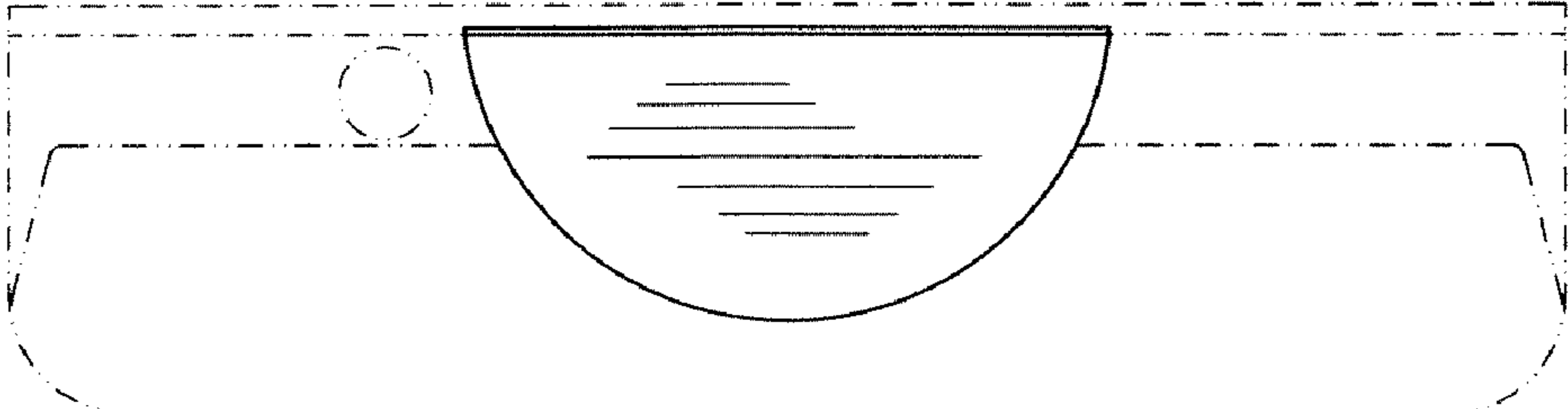


Fig. 2

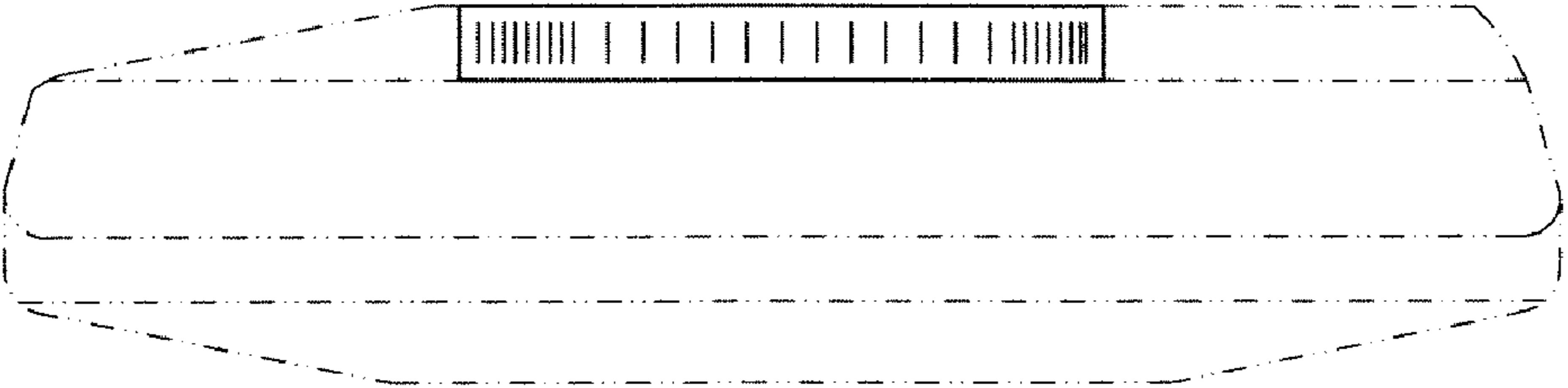


Fig. 3

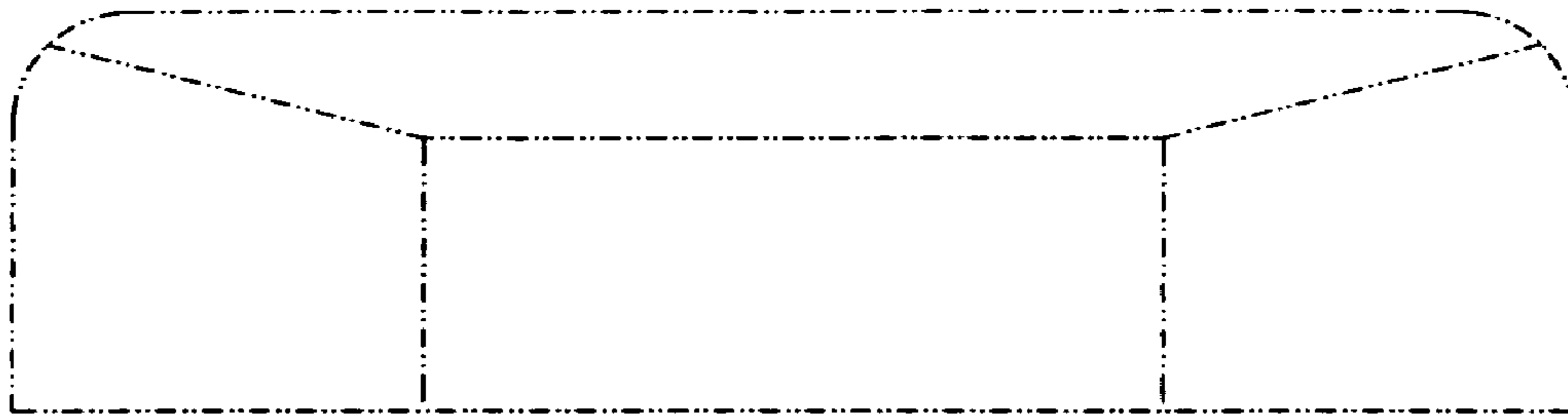


Fig. 4

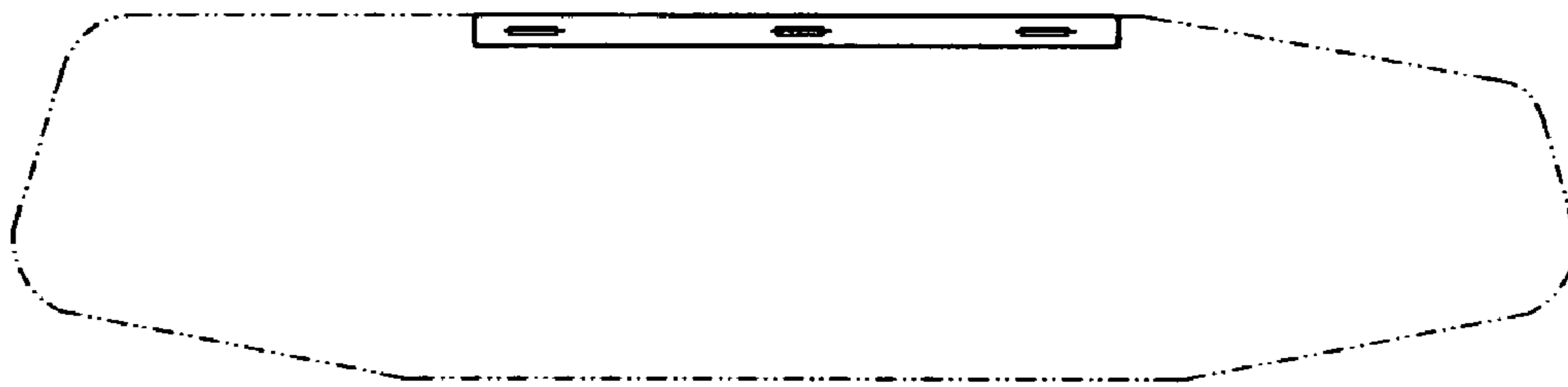


Fig. 5

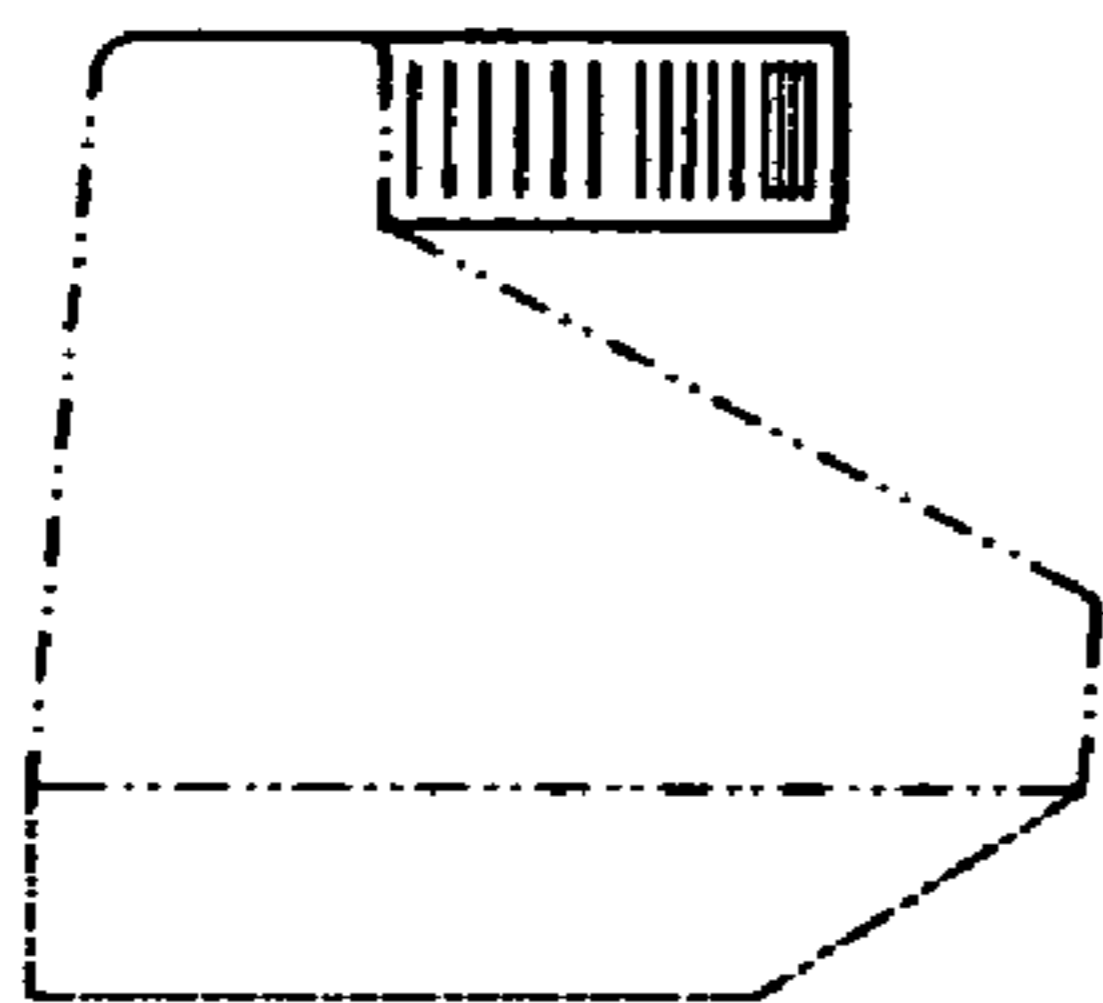


Fig. 6

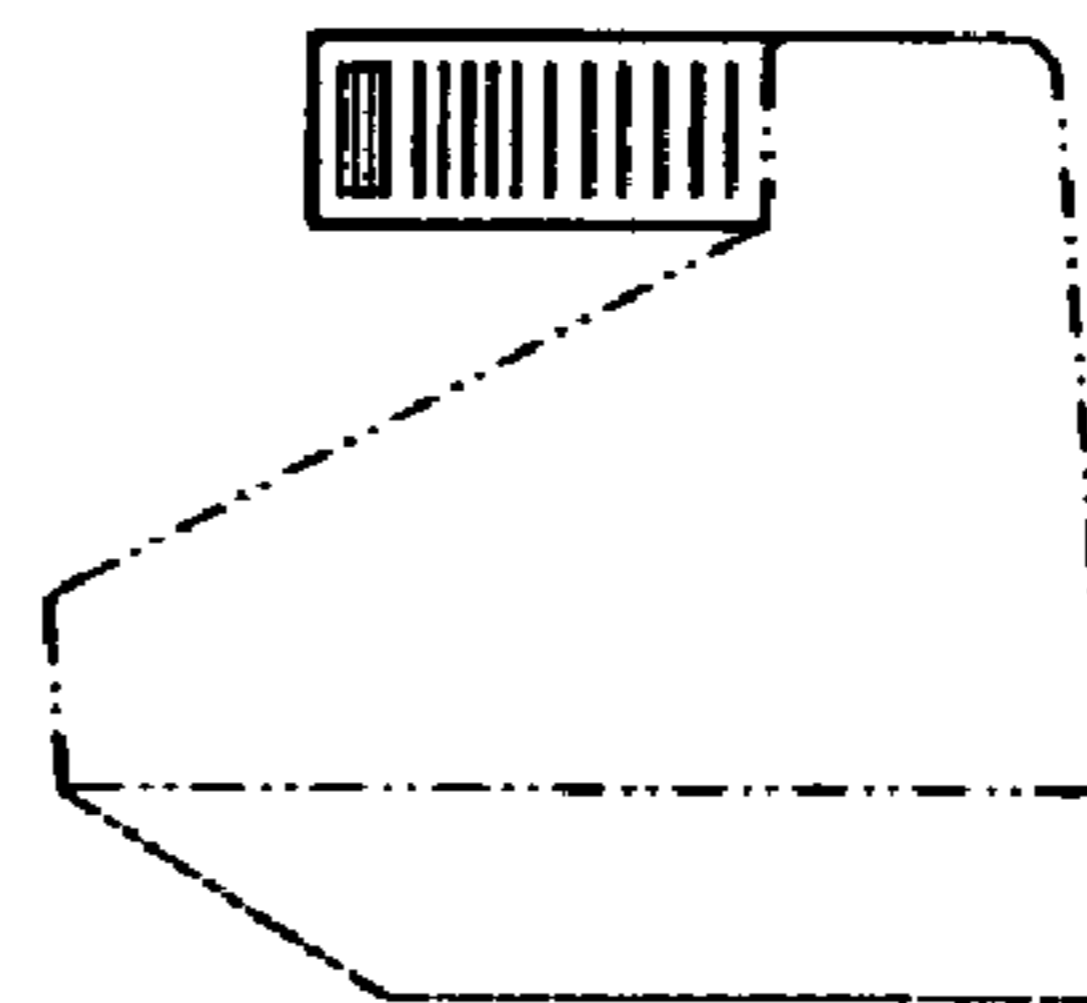


Fig. 7