



US00D626611S

(12) **United States Design Patent**
Magnone

(10) **Patent No.:** **US D626,611 S**
(45) **Date of Patent:** **** Nov. 2, 2010**

(54) **AUTOMATIC SOCCER BALL LAUNCHER**

(76) Inventor: **Jean Pierre Magnone**, 4 Avenue du Dr.
Bergougnie, Nice (FR) 06000

(**) Term: **14 Years**

(21) Appl. No.: **29/352,304**

(22) Filed: **Dec. 18, 2009**

(30) **Foreign Application Priority Data**

Jun. 18, 2009 (EM) 001552712-0001

(51) **LOC (9) Cl.** **21-02**

(52) **U.S. Cl.** **D21/722**

(58) **Field of Classification Search** D21/722;
124/7, 36, 41.1, 50, 54, 78, 82, 16, 34, 17;
473/194, 432, 83, 446, 471

See application file for complete search history.

(56) **References Cited**

U.S. PATENT DOCUMENTS

3,470,859	A *	10/1969	Ponza	124/7
4,122,822	A *	10/1978	Scheiwiller	124/54
4,345,577	A *	8/1982	Andersson	124/16
4,352,348	A *	10/1982	Griffith	124/78
D278,841	S *	5/1985	Giovagnoli	D21/720
4,615,528	A *	10/1986	York	473/432
4,641,834	A *	2/1987	Hegedus et al.	482/83
D312,288	S *	11/1990	Jefferson	D21/720
5,249,564	A *	10/1993	Peachey	124/17

5,465,978	A *	11/1995	Magnone et al.	124/7
D402,324	S *	12/1998	Sherlock et al.	D21/722
5,911,214	A *	6/1999	Andrews	124/16
7,549,415	B2 *	6/2009	Karellas	124/16

* cited by examiner

Primary Examiner—Mitchell I Siegel

(74) *Attorney, Agent, or Firm*—Young & Thompson

(57) **CLAIM**

The ornamental design for an automatic soccer ball launcher, as shown and described.

DESCRIPTION

FIG. 1 is a rear, right side and top perspective view of an automatic soccer ball launcher showing my new design;

FIG. 2 is a left side elevational view thereof, the right side elevational view being a mirror image thereof;

FIG. 3 is a rear elevational view thereof;

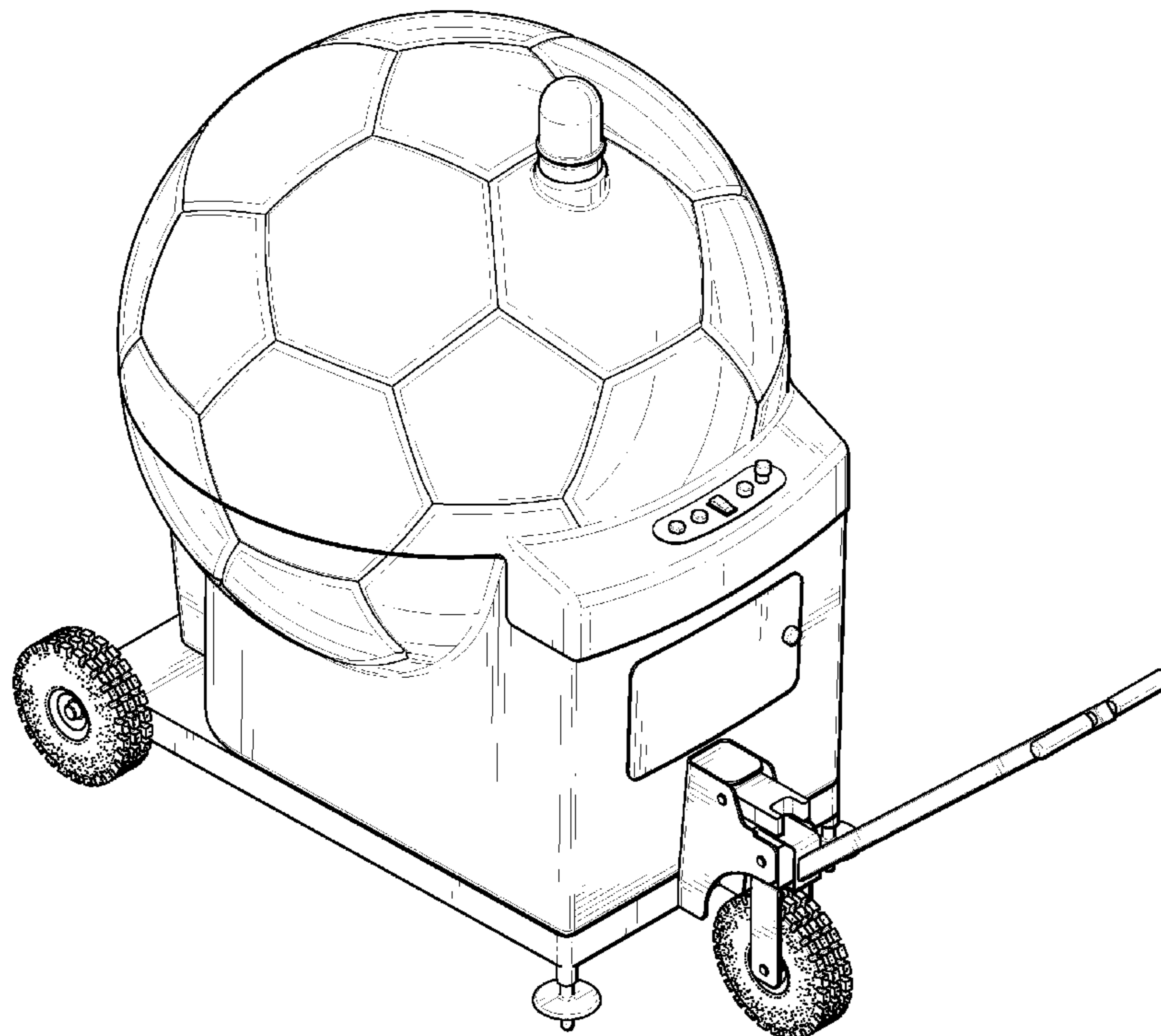
FIG. 4 is a front elevational view thereof, in which the internal mechanism visible through the launching opening is shown in broken line; and,

FIG. 5 is a top plan view thereof.

The appearance of the automatic soccer ball launcher from the underside is not claimed.

The broken line showing is included for the purpose of illustrating only and forms no part of the claimed design.

1 Claim, 5 Drawing Sheets



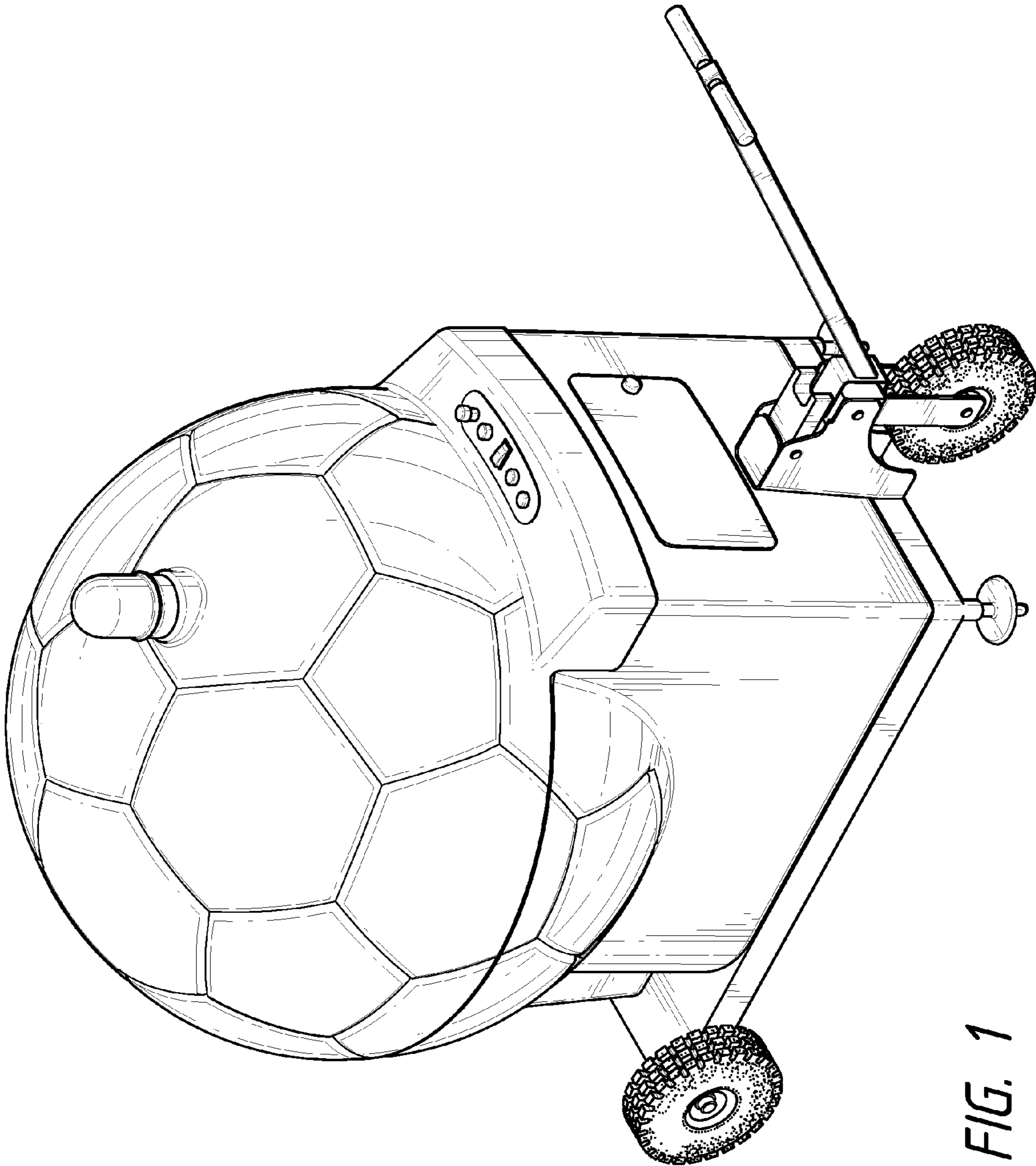


FIG. 1

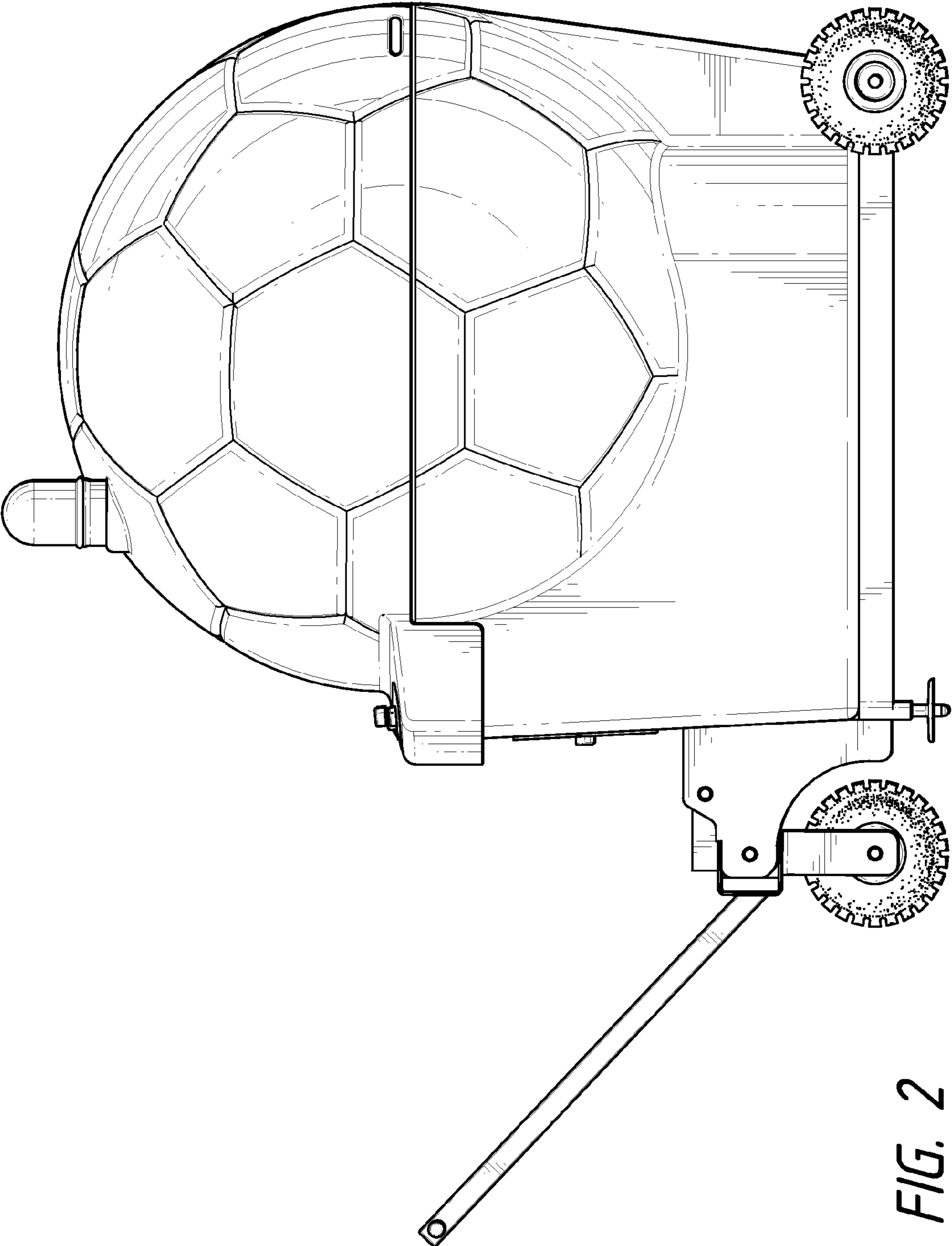


FIG. 2

FIG. 3

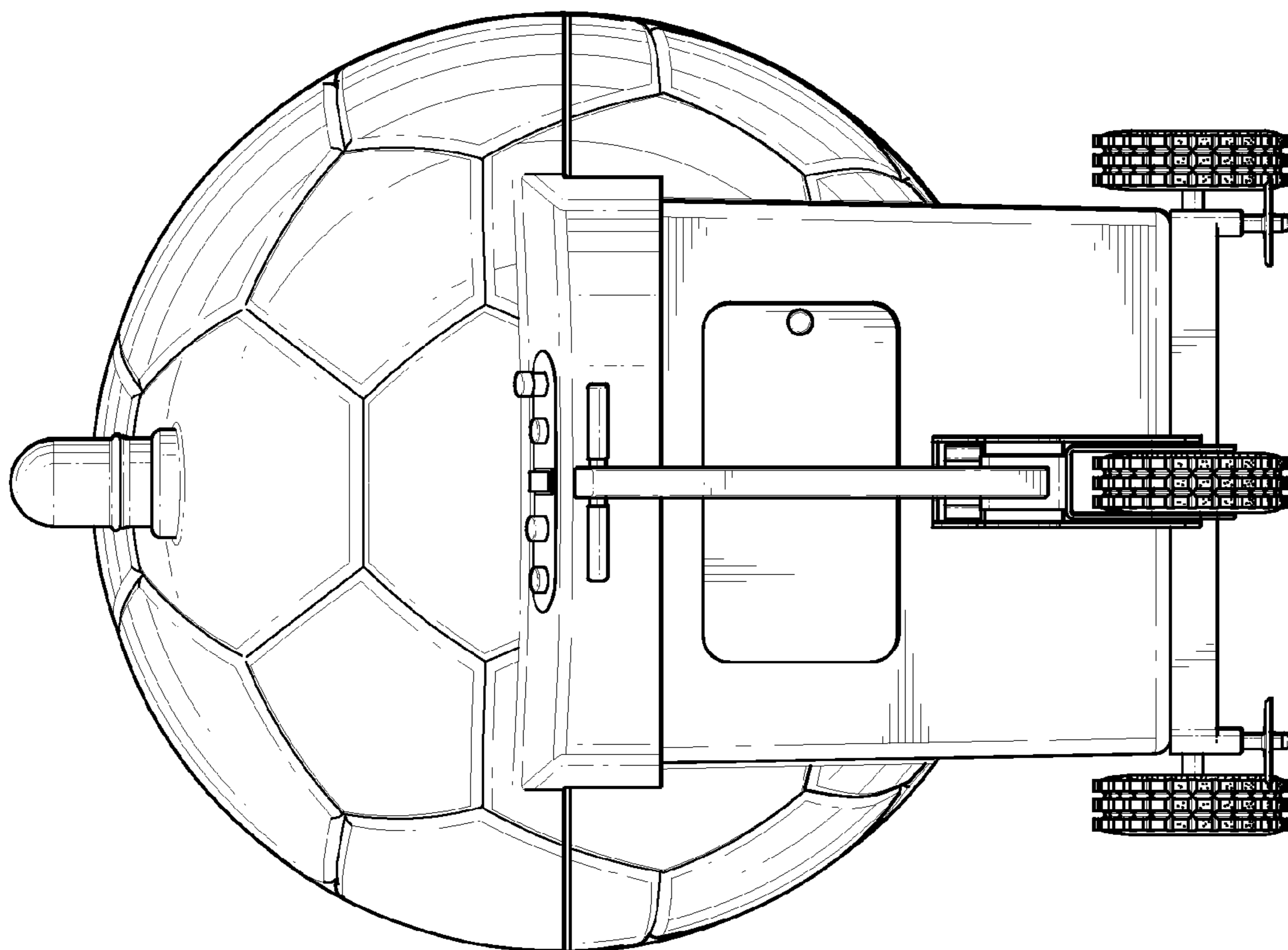
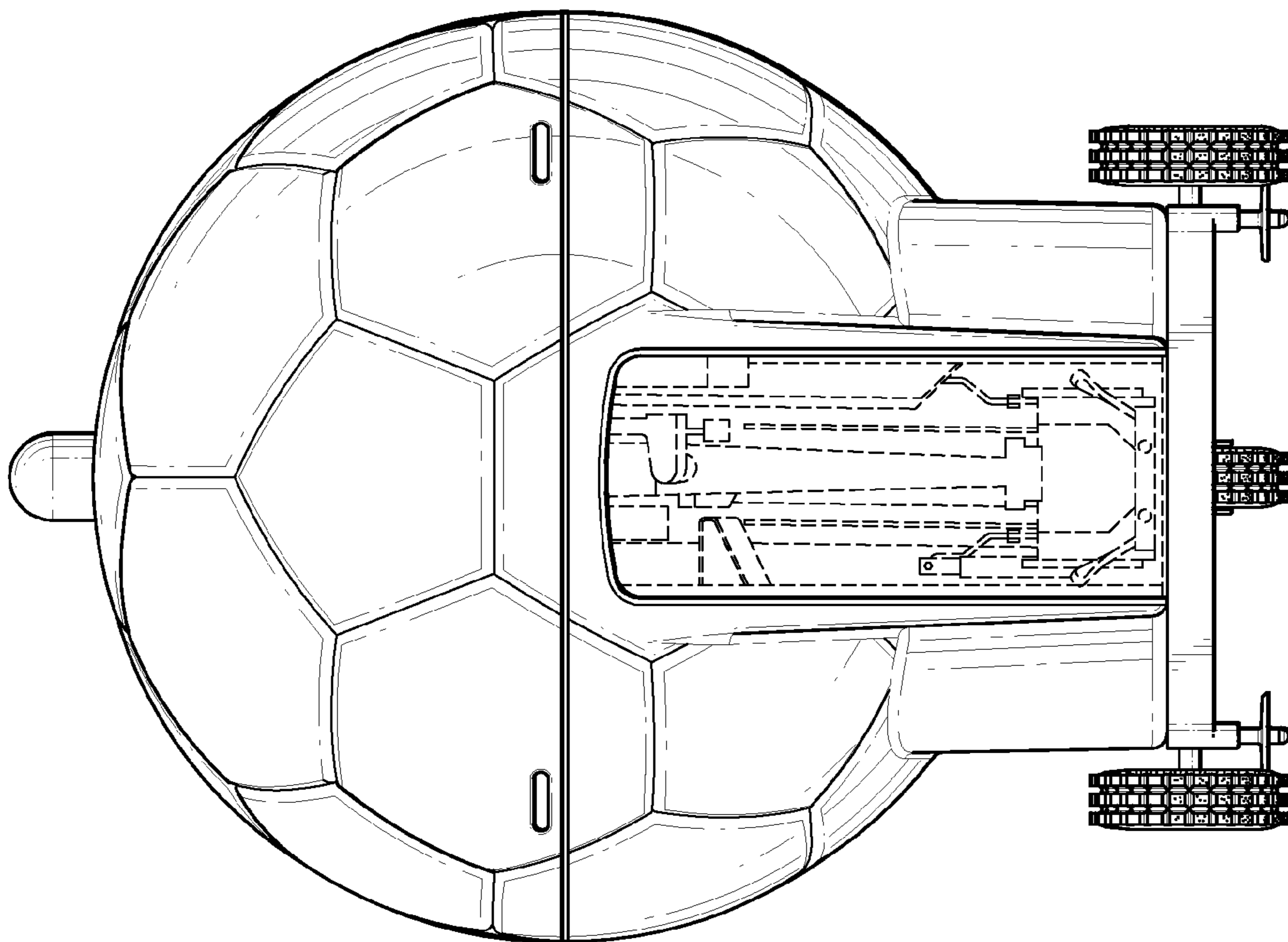


FIG. 4



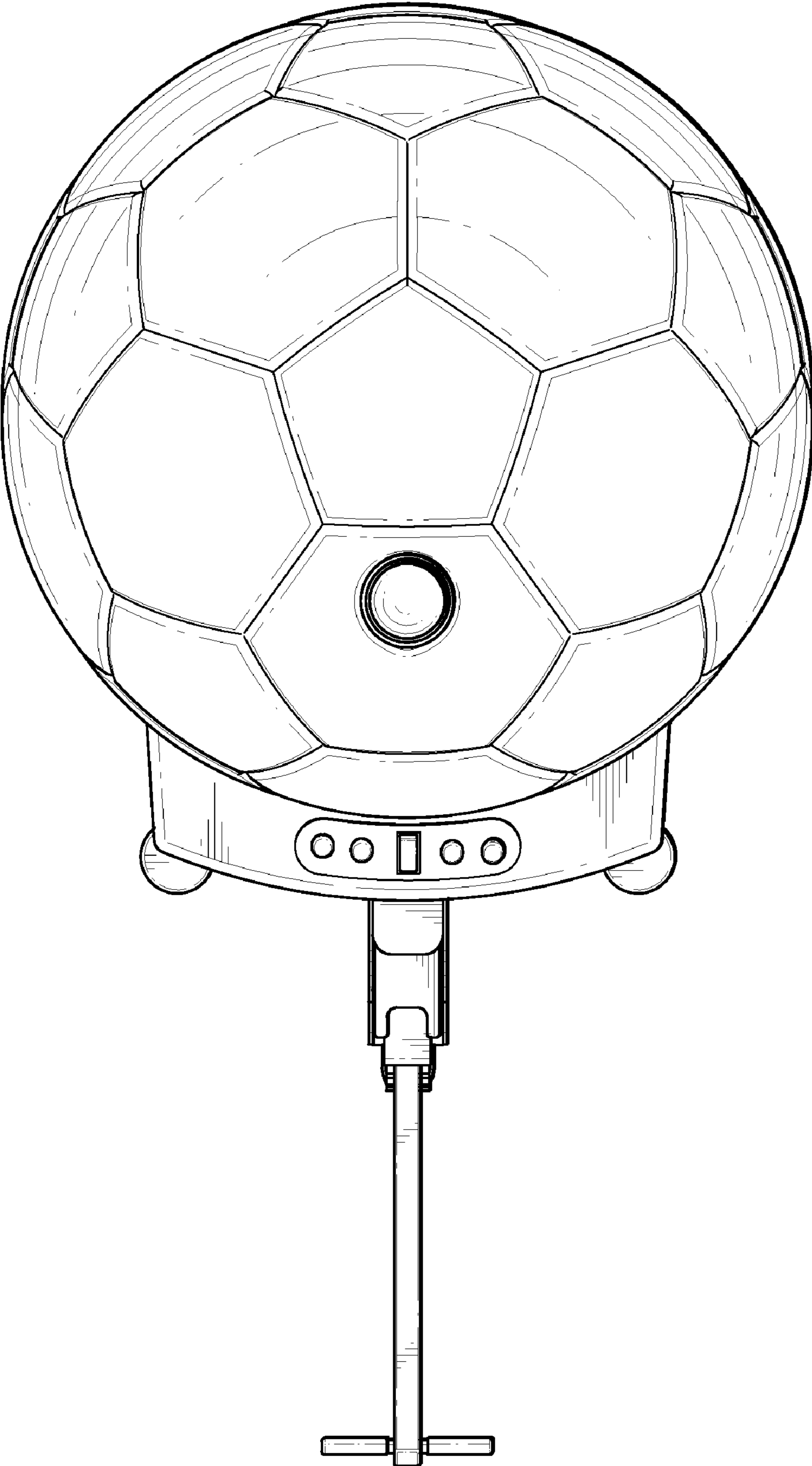


FIG. 5