



US00D626608S

(12) **United States Design Patent**  
**Tsai**

(10) **Patent No.:** **US D626,608 S**  
(45) **Date of Patent:** **\*\* Nov. 2, 2010**

(54) **SWING EXERCISER**  
(75) Inventor: **Jao-Hsing Tsai**, Hsinchu (TW)  
(73) Assignee: **Cheng-Kang Chu**, Hsinchu (TW)  
(\*\*) Term: **14 Years**  
(21) Appl. No.: **29/353,972**  
(22) Filed: **Jan. 18, 2010**

6,234,935 B1 \* 5/2001 Chu ..... 482/51  
D491,239 S \* 6/2004 Lamont ..... D21/688  
6,918,856 B2 \* 7/2005 Chang ..... 482/51  
6,918,861 B2 \* 7/2005 Liao et al. .... 482/57  
7,118,519 B2 \* 10/2006 Slowinski ..... 482/146  
D567,312 S \* 4/2008 Tsai ..... D21/688  
7,666,121 B2 \* 2/2010 Zhou ..... 482/51  
D613,351 S \* 4/2010 Splane ..... D21/689  
2005/0043143 A1 \* 2/2005 Chuang ..... 482/51  
2005/0266964 A1 \* 12/2005 Teng ..... 482/71  
2009/0203499 A1 \* 8/2009 Svatkova Hoeven et al. ... 482/1  
2009/0325767 A1 \* 12/2009 Zhou ..... 482/51  
2010/0062914 A1 \* 3/2010 Splane ..... 482/96

(30) **Foreign Application Priority Data**  
Sep. 25, 2009 (TW) ..... 98304529

\* cited by examiner

*Primary Examiner*—Susan E Krakower

(51) **LOC (9) Cl.** ..... **21-02**  
(52) **U.S. Cl.** ..... **D21/689**  
(58) **Field of Classification Search** ..... D21/662,  
D21/686, 688, 689, 694; 482/51, 71, 96,  
482/131–132, 140, 142, 146–147; 601/23,  
601/33, 40, 127, 131

(57) **CLAIM**

I claim the ornamental design for a swing exerciser, as shown.

See application file for complete search history.

**DESCRIPTION**

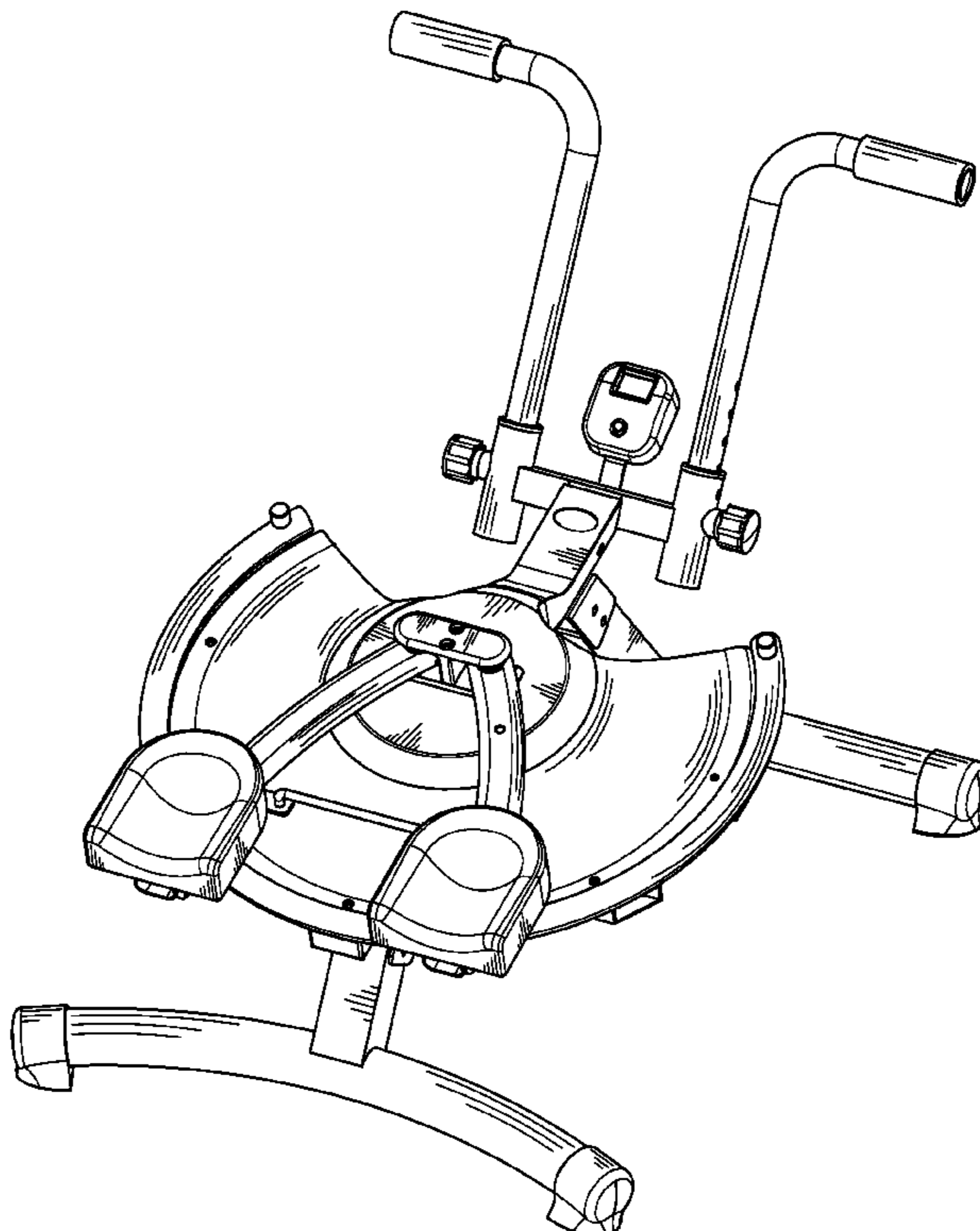
FIG. 1 is a perspective view of a swing exerciser showing my new design;  
FIG. 2 is a front view thereof;  
FIG. 3 is a rear view thereof;  
FIG. 4 is a left side view thereof;  
FIG. 5 is a right side view thereof;  
FIG. 6 is a top plan view thereof; and,  
FIG. 7 is a bottom view thereof.

(56) **References Cited**

**U.S. PATENT DOCUMENTS**

4,313,603 A \* 2/1982 Simjian ..... 482/147  
4,390,180 A \* 6/1983 Simjian ..... 482/131  
4,391,441 A \* 7/1983 Simjian ..... 482/131  
4,989,860 A \* 2/1991 Iams et al. .... 482/132  
5,052,684 A \* 10/1991 Kosuge et al. .... 482/118  
D358,182 S \* 5/1995 Yang ..... D21/670  
5,433,690 A \* 7/1995 Gilman ..... 482/146  
D422,325 S \* 4/2000 Broudy et al. .... D21/689

**1 Claim, 7 Drawing Sheets**



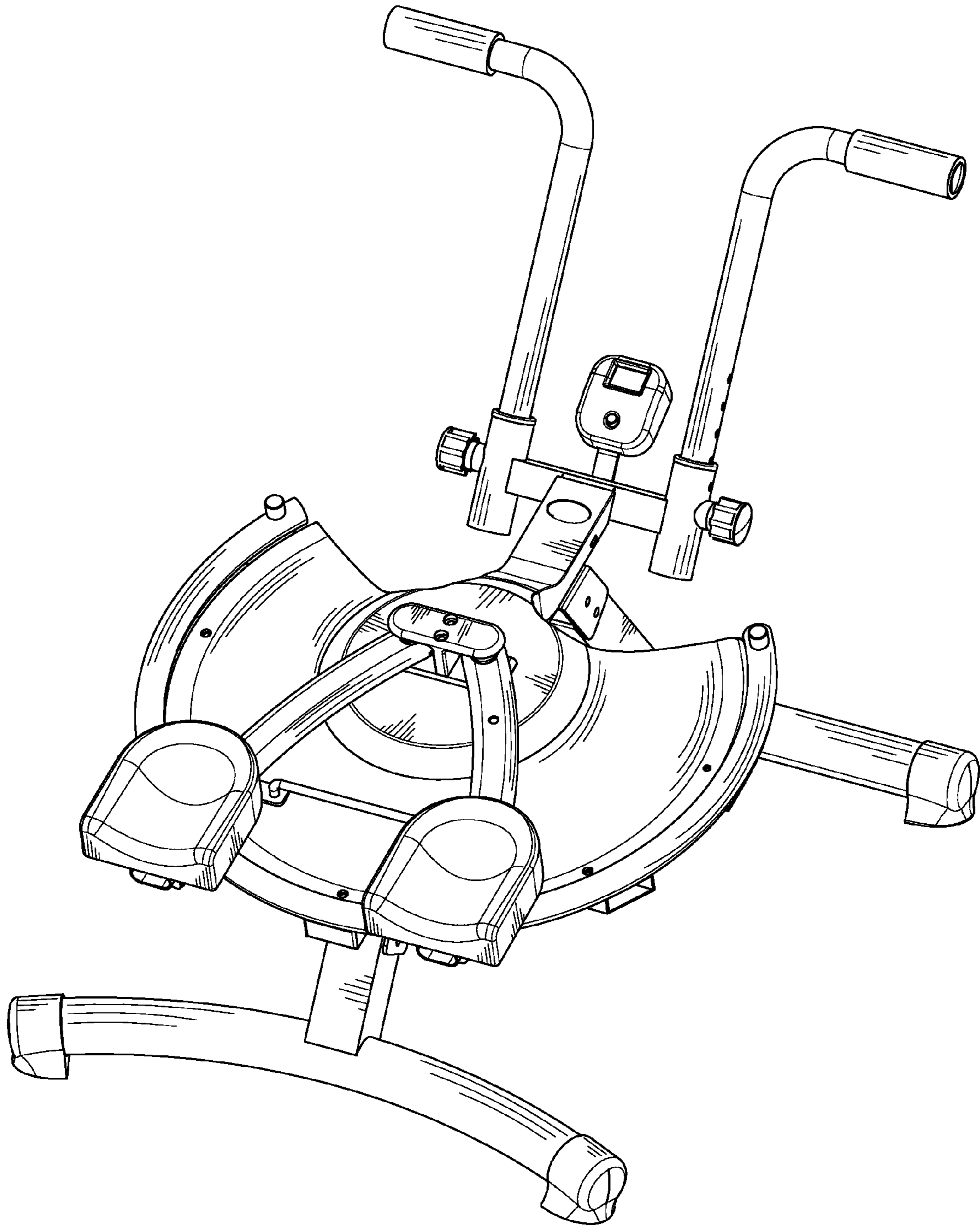


FIG. 1

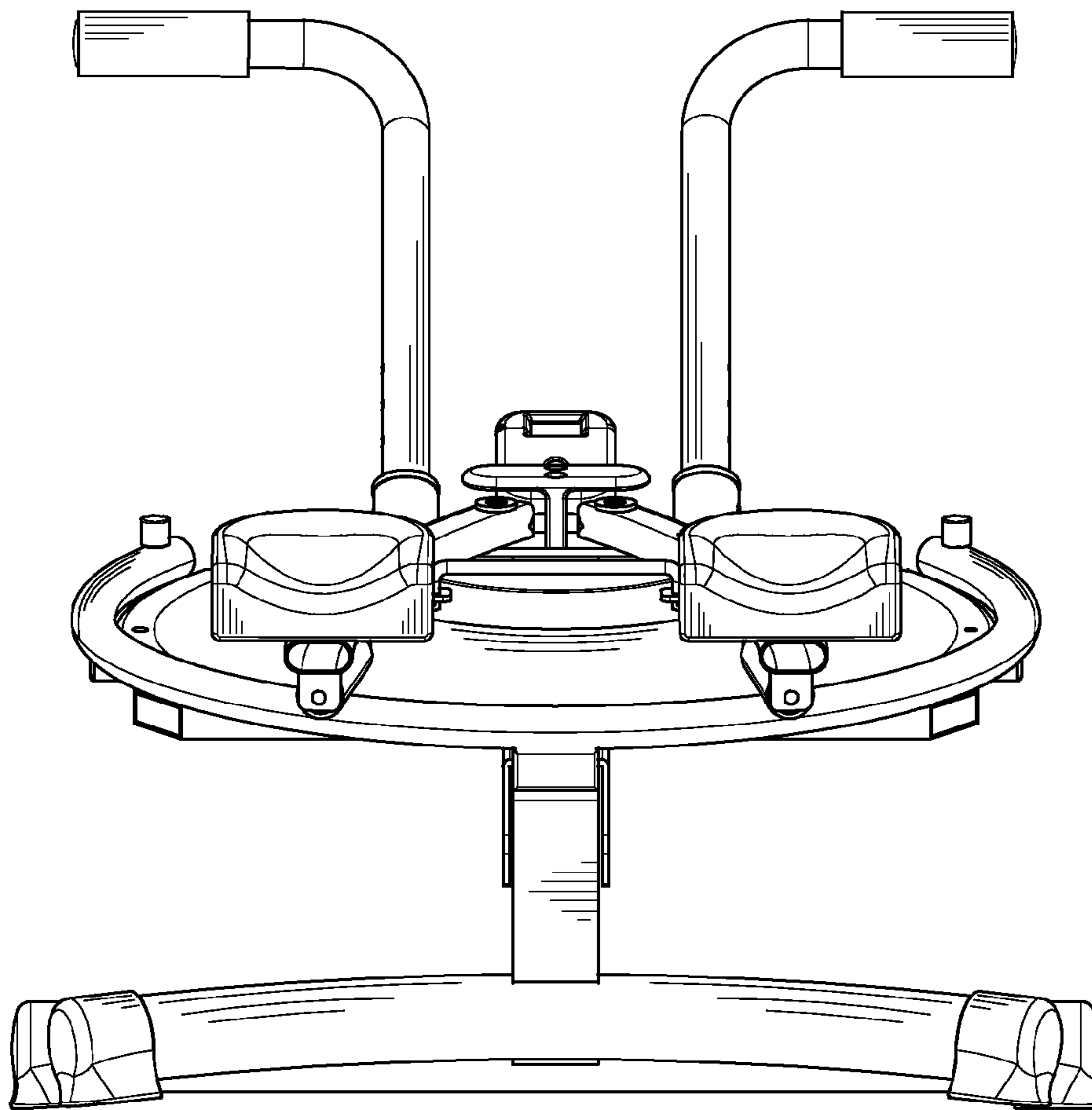


FIG. 2

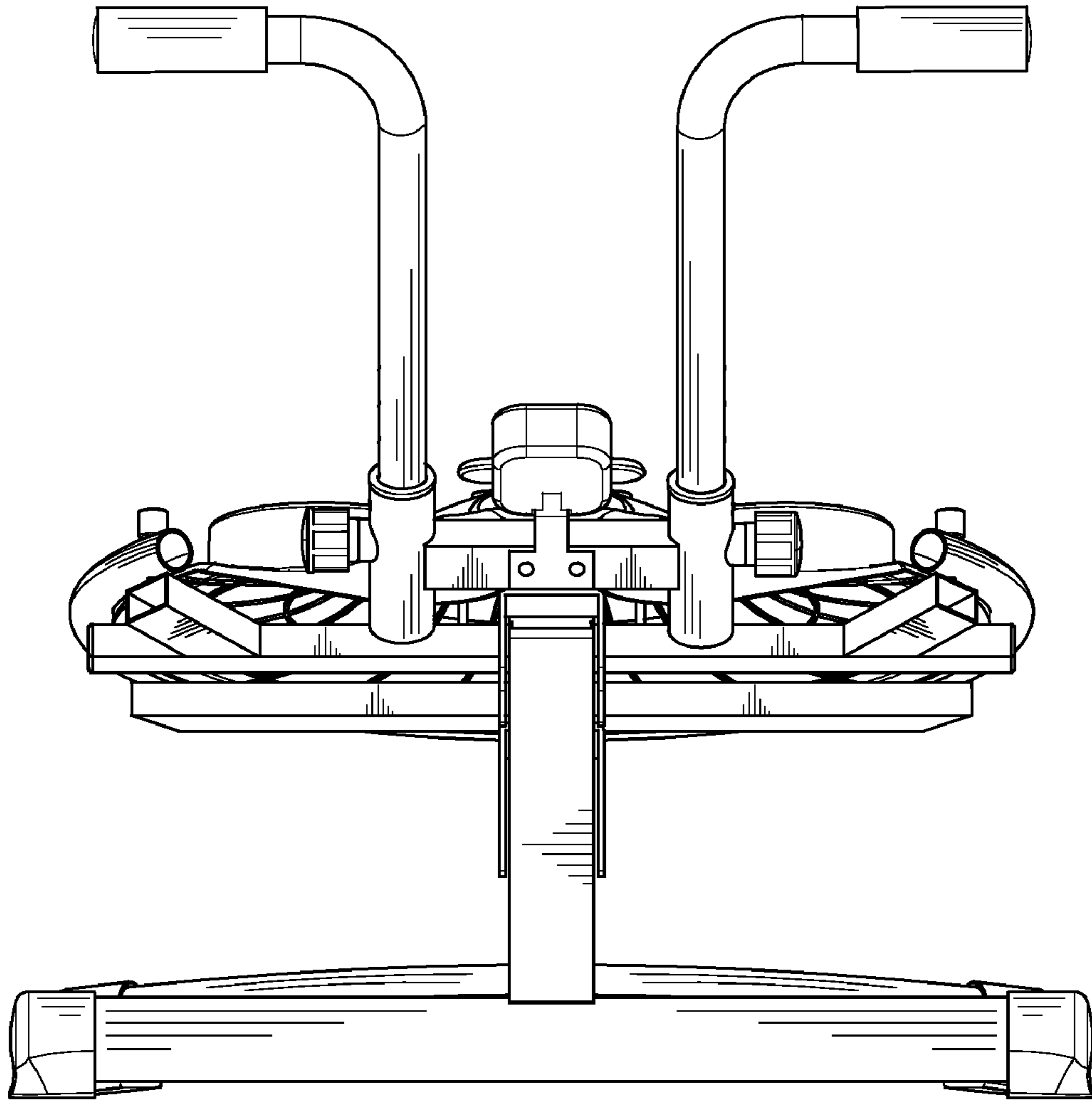


FIG. 3

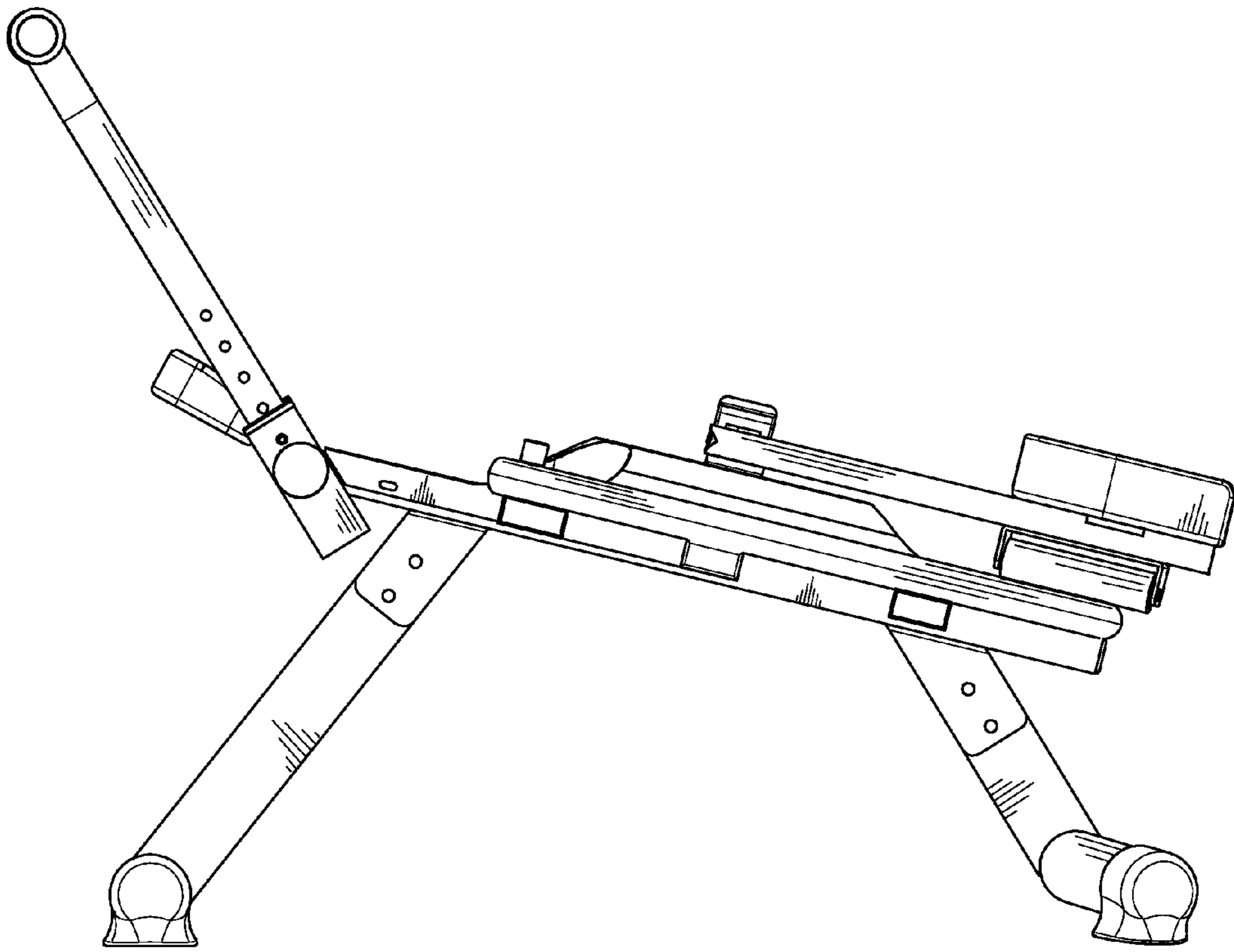


FIG. 4

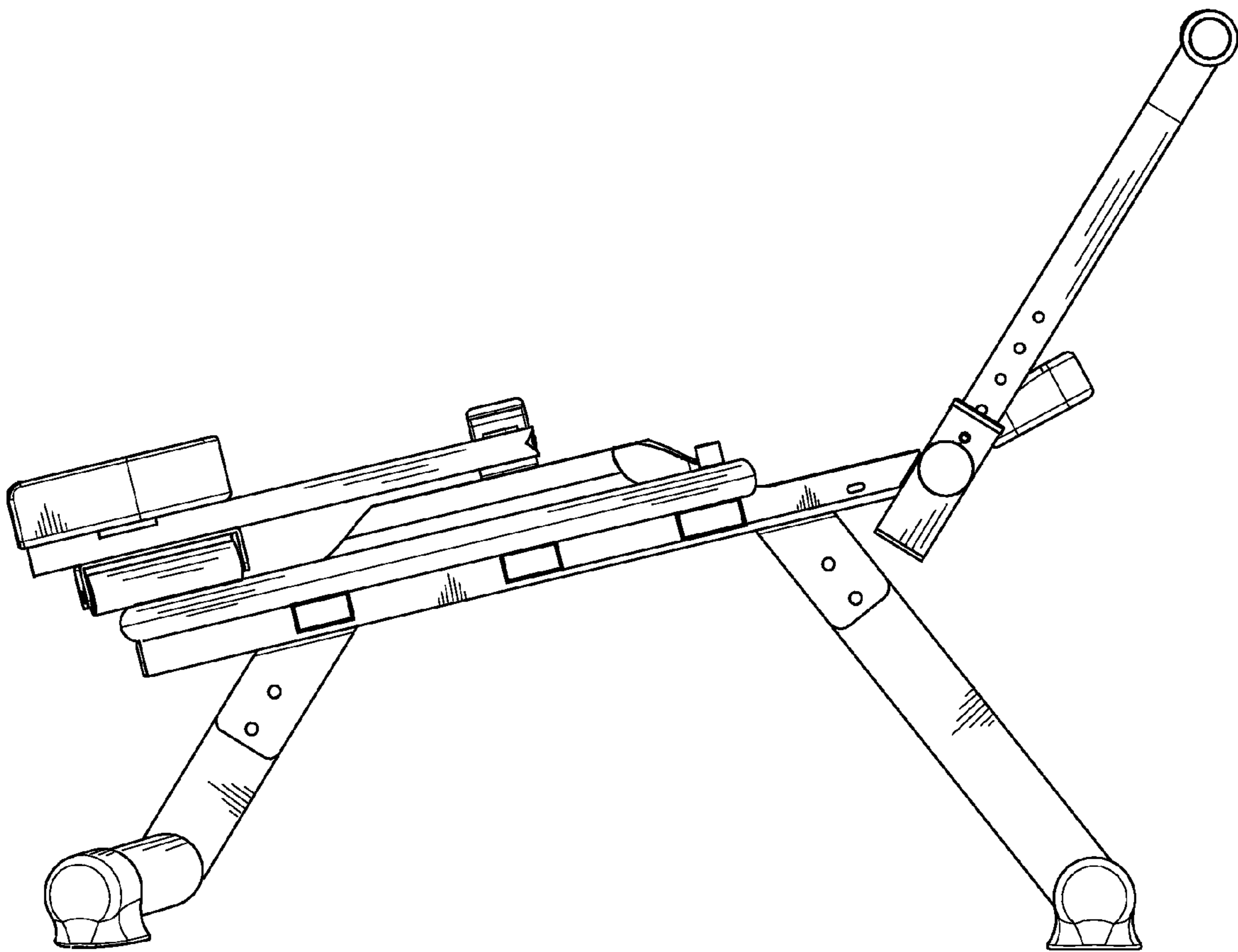


FIG. 5

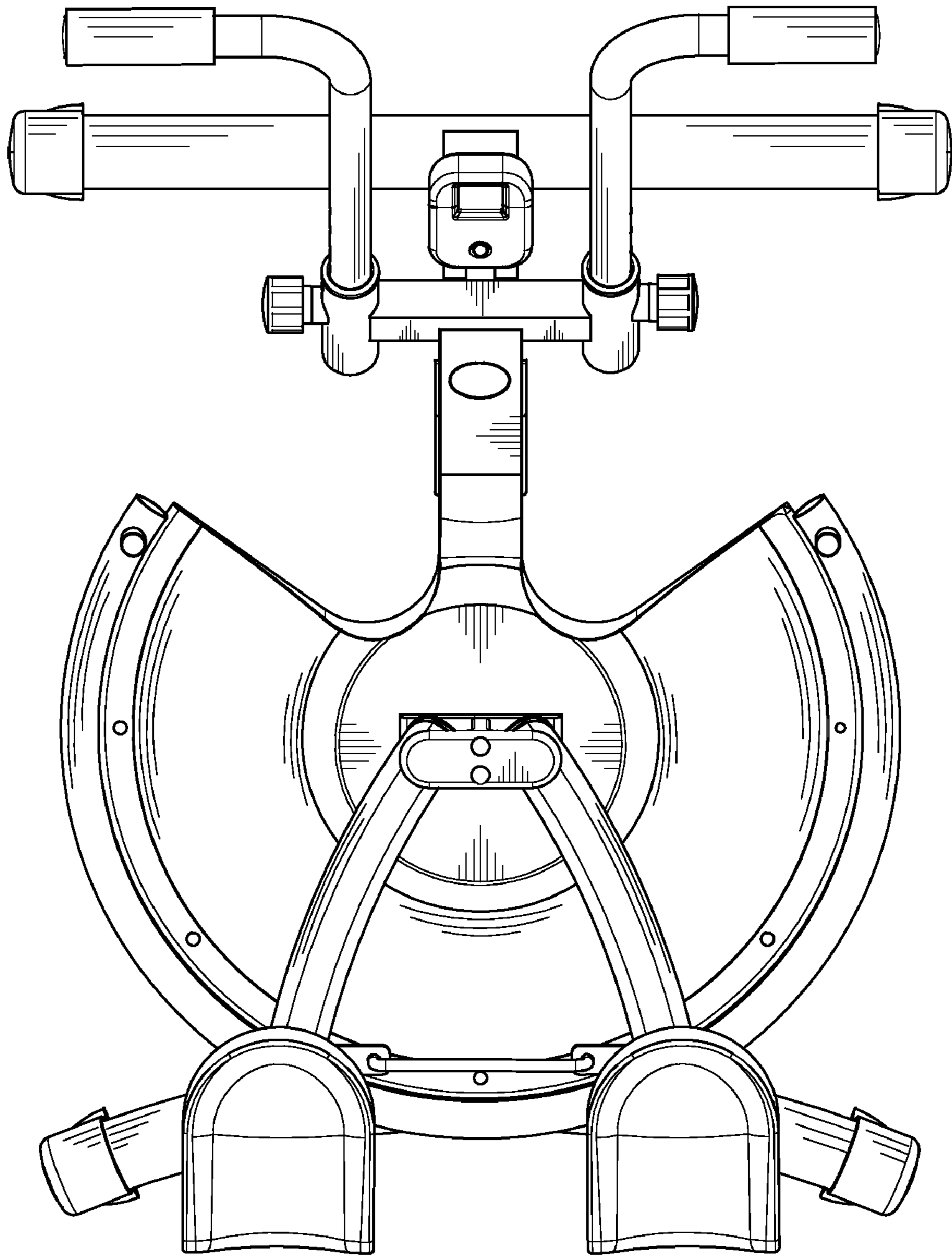


FIG. 6

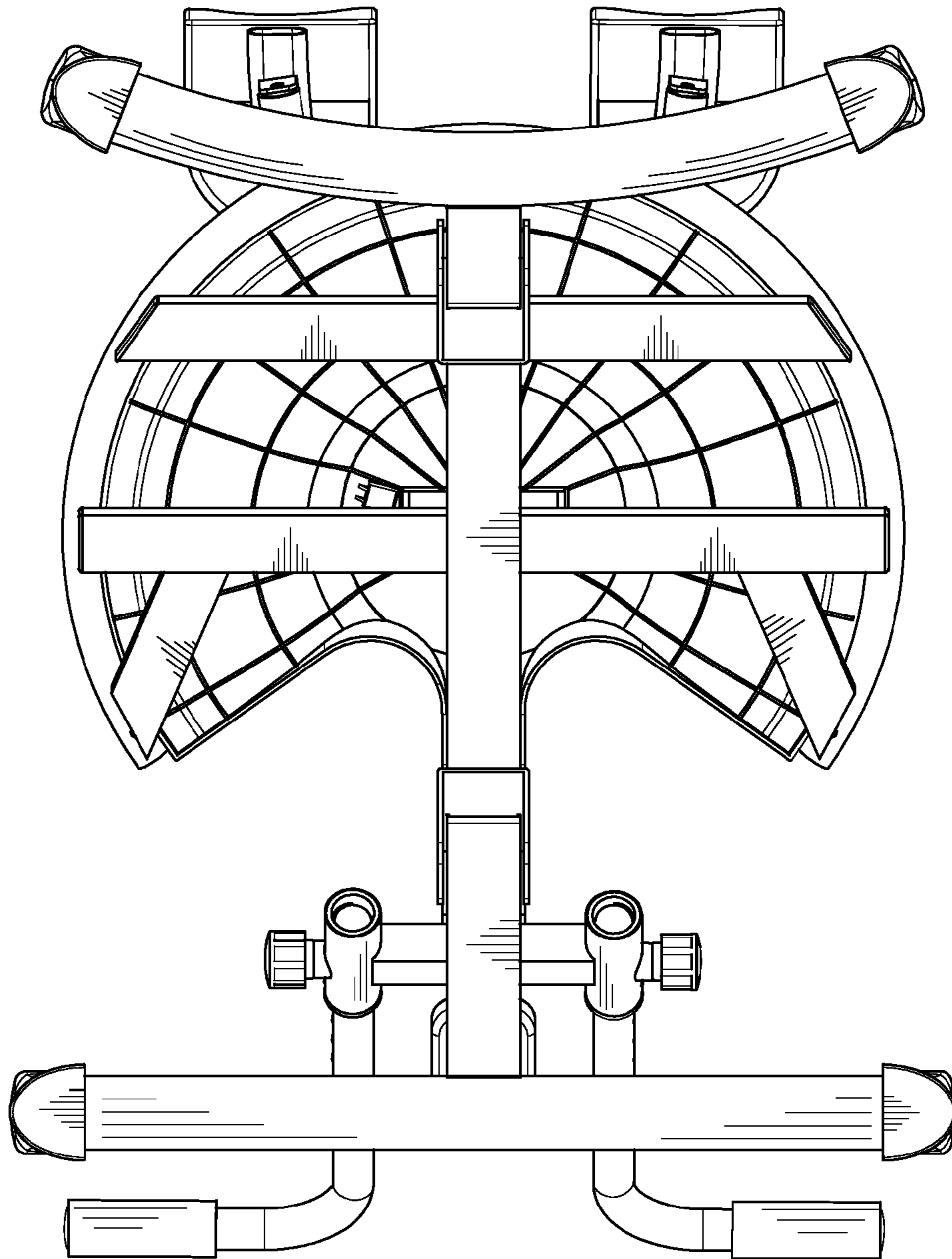


FIG. 7