



US00D626595S

(12) **United States Design Patent**
Casciotti et al.

(10) **Patent No.:** **US D626,595 S**
(45) **Date of Patent:** **** Nov. 2, 2010**

(54) **GRIP FOR A WRITING INSTRUMENT**

(75) Inventors: **David M. Casciotti**, Amsterdam, NY (US); **Joseph E. Achzet**, Gloversville, NY (US); **Jing Mahler**, Glenville, NY (US)

(73) Assignee: **Holland USA, Inc.**, North Mankato, MN (US)

(**) Term: **14 Years**

(21) Appl. No.: **29/352,975**

(22) Filed: **Dec. 30, 2009**

(51) **LOC (9) Cl.** **19-06**

(52) **U.S. Cl.** **D19/55**

(58) **Field of Classification Search** D19/35,
D19/36, 41, 42, 43, 44, 45, 46, 47, 48, 49,
D19/50, 51, 53, 54, 55, 56, 57; 24/11 F,
24/11 P, 11 R; 401/6, 52, 99, 100, 104, 105,
401/106, 107, 108, 109, 192, 195, 243, 244,
401/245, 246, 247

See application file for complete search history.

(56) **References Cited**

U.S. PATENT DOCUMENTS

D423,577 S *	4/2000	Baudino et al.	D19/48
D430,207 S *	8/2000	Izushima	D19/48
D436,996 S *	1/2001	Izushima	D19/47
D445,455 S *	7/2001	Saito	D19/55
D451,142 S *	11/2001	Saito	D19/55
D477,363 S *	7/2003	Baudino et al.	D19/48
D486,860 S *	2/2004	Hodge	D19/55

D499,141 S *	11/2004	Chevalier	D19/48
D540,862 S *	4/2007	Qiu	D19/43
D562,388 S *	2/2008	Qiu et al.	D19/47
D595,353 S *	6/2009	Li	D19/48

FOREIGN PATENT DOCUMENTS

EM	001619636-0002	*	10/2009
EM	001731118-0004	*	7/2010

* cited by examiner

Primary Examiner—Elizabeth A Albert

Assistant Examiner—Karen E Eldridge Powers

(74) *Attorney, Agent, or Firm*—Dicke, Billig & Czaja, PLLC

(57) **CLAIM**

We claim the ornamental design for a grip for a writing instrument, as shown and described.

DESCRIPTION

FIG. 1 is a perspective view of a writing instrument showing our new design;

FIG. 2 is a front view of the same FIG. 1;

FIG. 3 is a back view of the same FIG. 1;

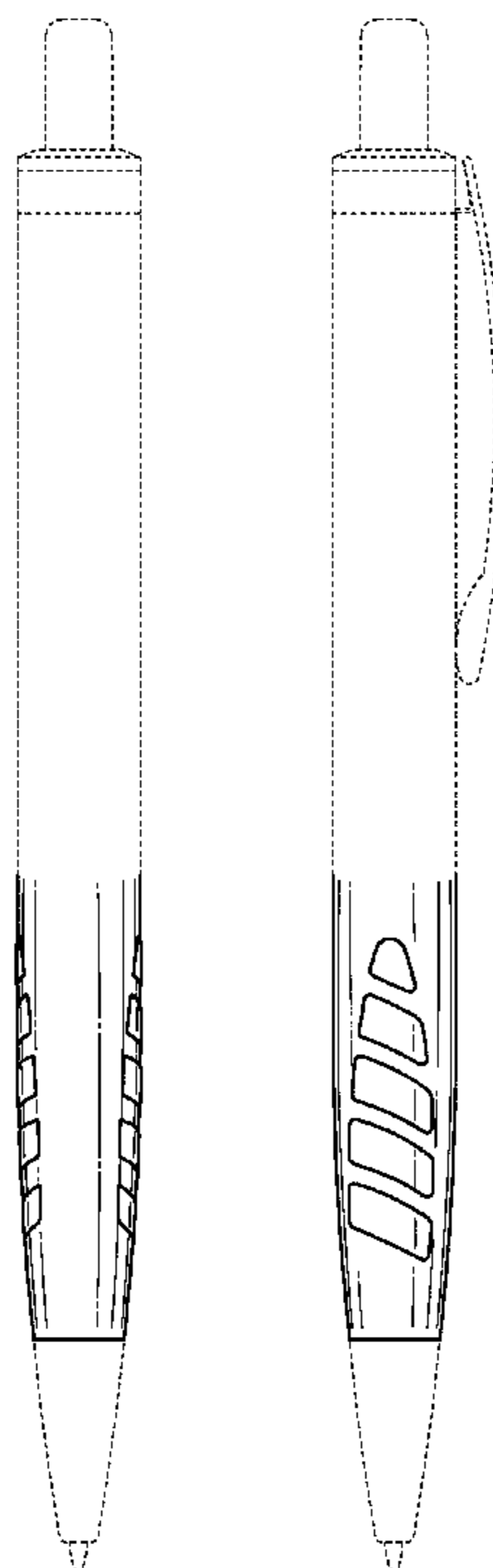
FIG. 4 is a right side view of the same FIG. 1, the left side view being a mirror image of the right side view;

FIG. 5 is a top view of the same FIG. 1; and,

FIG. 6 is an enlarged bottom view of the same FIG. 1.

The broken lines shown in the drawings illustrate features of the article to which the design is applied that form no part of the claim.

1 Claim, 3 Drawing Sheets



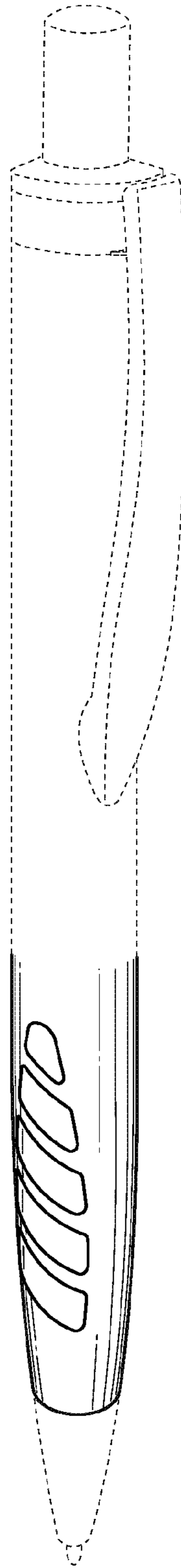


Fig. 1

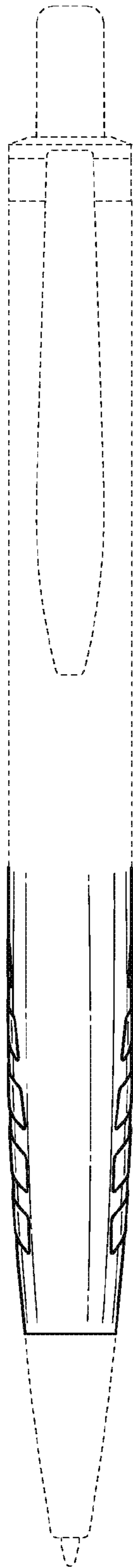


Fig. 2



Fig. 3

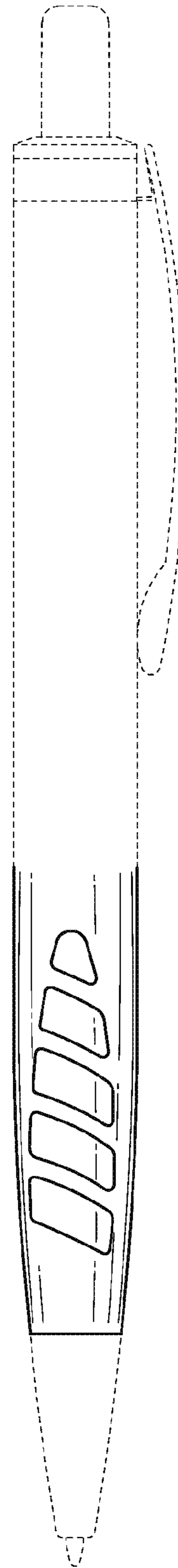


Fig. 4

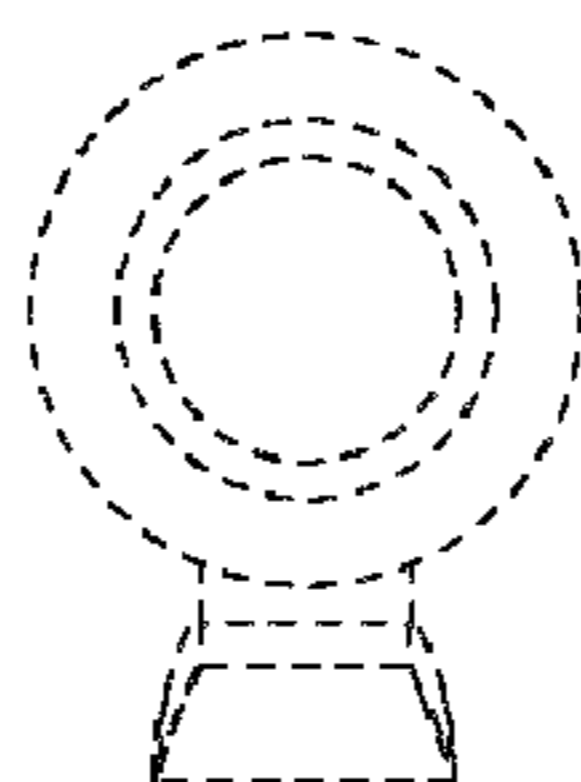


Fig. 5

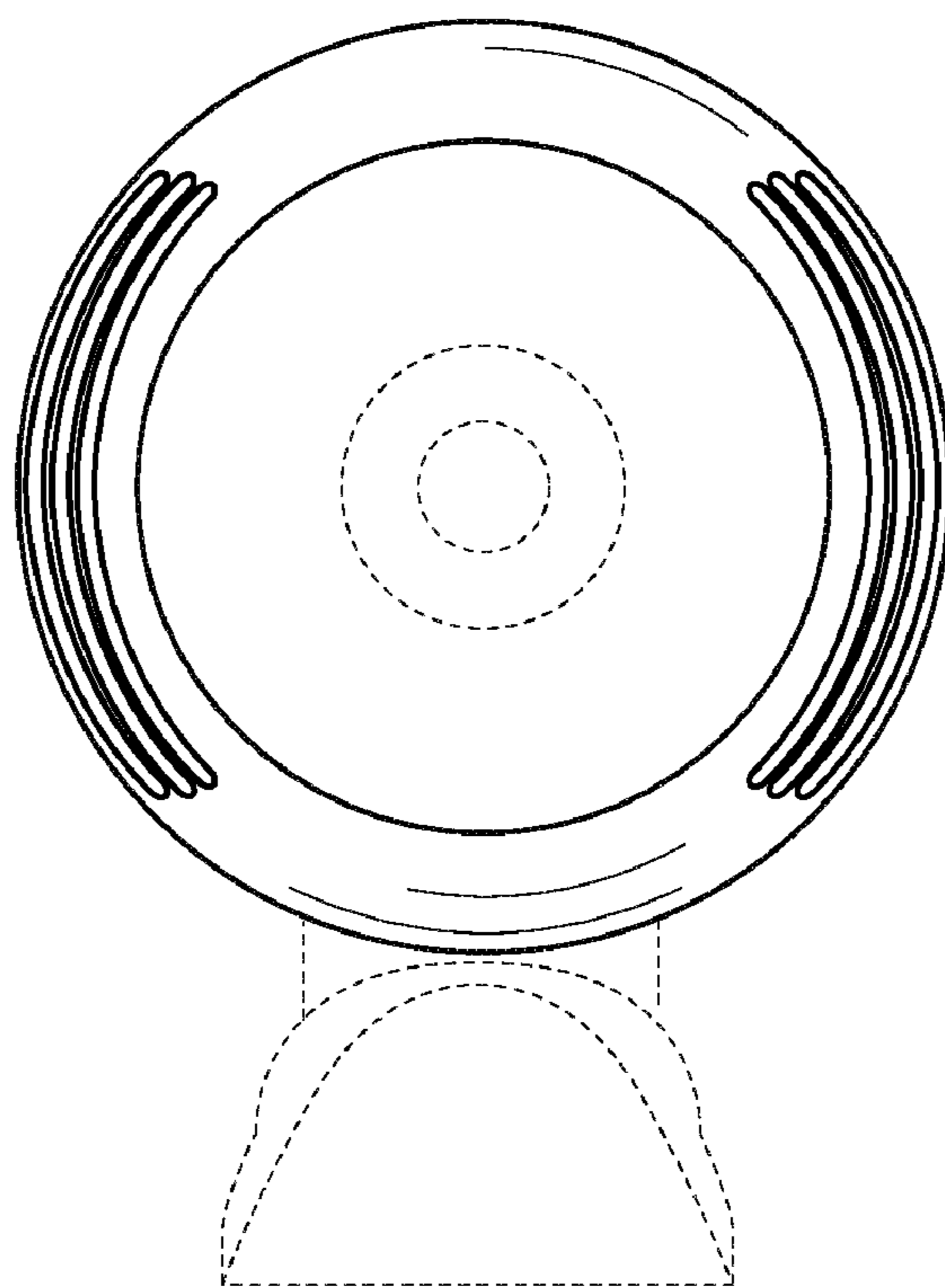


Fig. 6