



US00D626589S

(12) **United States Design Patent**
Domae

(10) **Patent No.:** **US D626,589 S**
(45) **Date of Patent:** **** Nov. 2, 2010**

(54) **INK CARTRIDGE**

D585,091 S * 1/2009 Matsumoto D18/56

(75) Inventor: **Yoshinori Domae**, Chiba (JP)

* cited by examiner

(73) Assignee: **Seiko I Infotech Inc.**, Chiba (JP)

Primary Examiner—Cathy Anne MacCormac
(74) *Attorney, Agent, or Firm*—Finnegan, Henderson, Farabow, Garrett & Dunner, L.L.P.

(**) Term: **14 Years**

(21) Appl. No.: **29/328,540**

(57) **CLAIM**

(22) Filed: **Nov. 25, 2008**

The ornamental design for an ink cartridge, as shown and described.

(30) **Foreign Application Priority Data**

May 28, 2008 (JP) 2008-013378

DESCRIPTION

(51) **LOC (9) Cl.** **18-02**

FIG. 1 is a perspective view of the front, left side and bottom of an ink cartridge showing my new design;

(52) **U.S. Cl.** **D18/56; 347/86**

FIG. 2 is a perspective view of the rear, right side and top thereof;

(58) **Field of Classification Search** D18/40,

D18/43, 56; 347/47, 86–87

FIG. 3 is a front view thereof;

See application file for complete search history.

FIG. 4 is a rear view thereof;

(56) **References Cited**

U.S. PATENT DOCUMENTS

D472,267 S * 3/2003 Shimizu et al. D18/56

D509,242 S * 9/2005 Muranaka D18/56

D528,598 S * 9/2006 Ishizawa et al. D18/56

D540,855 S * 4/2007 Umezawa et al. D18/56

D542,344 S * 5/2007 Duby et al. D18/56

D546,876 S * 7/2007 Muranaka D18/56

D551,289 S * 9/2007 Otsuka et al. D18/56

FIG. 5 is a left side view thereof;

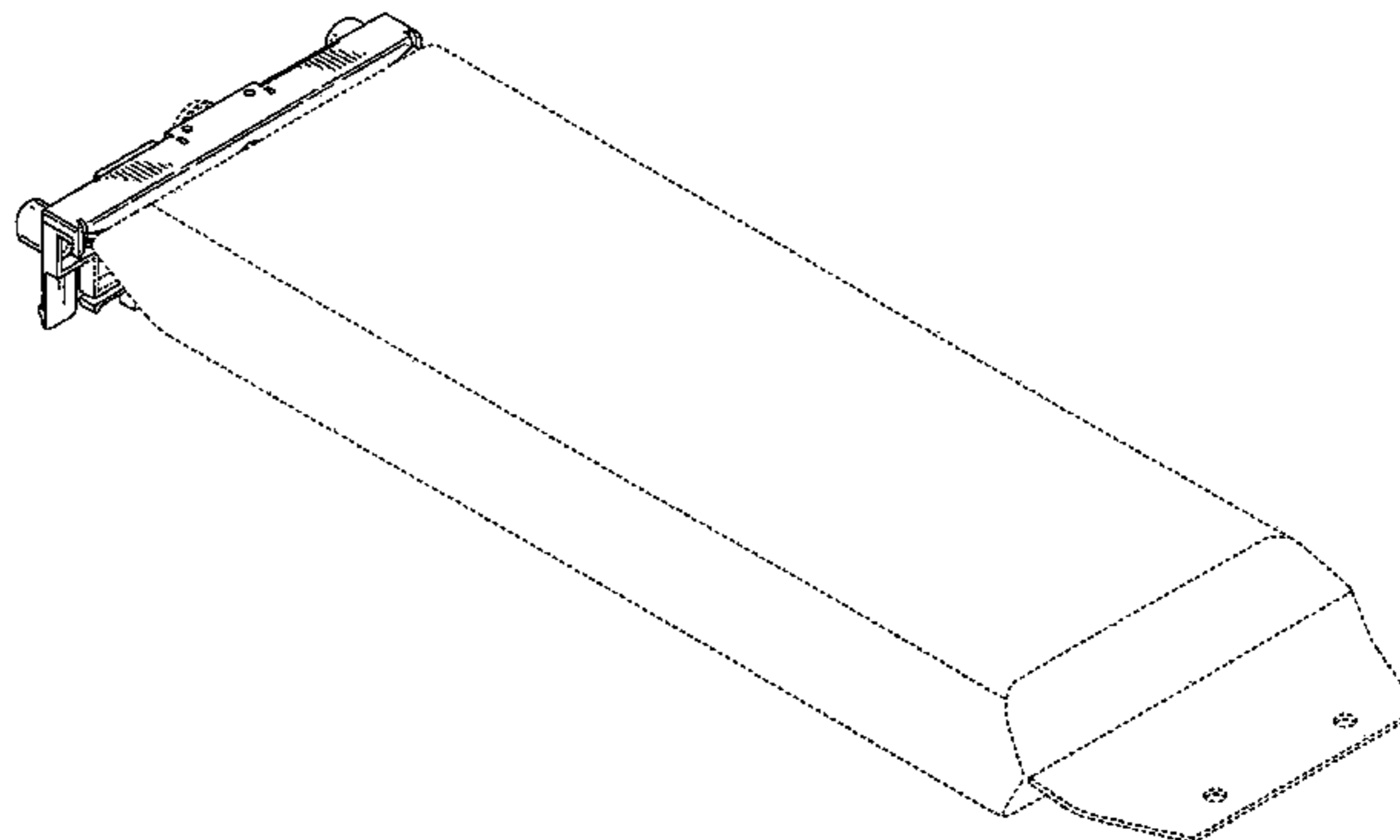
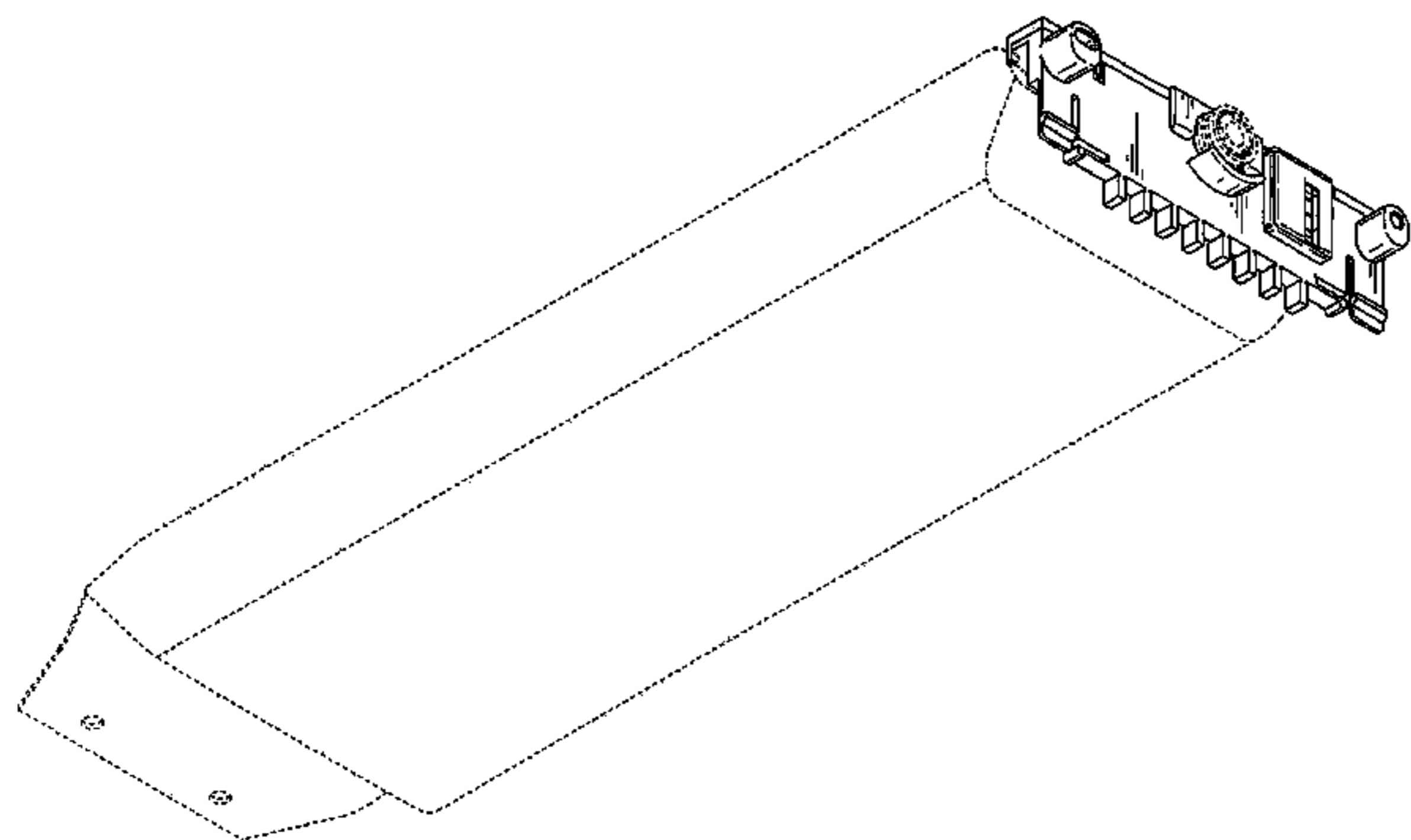
FIG. 6 is a right side view thereof;

FIG. 7 is a top plan view thereof; and,

FIG. 8 is a bottom view thereof.

The elements shown in broken lines are for illustrative purposes only and form no part of the claimed design.

1 Claim, 5 Drawing Sheets



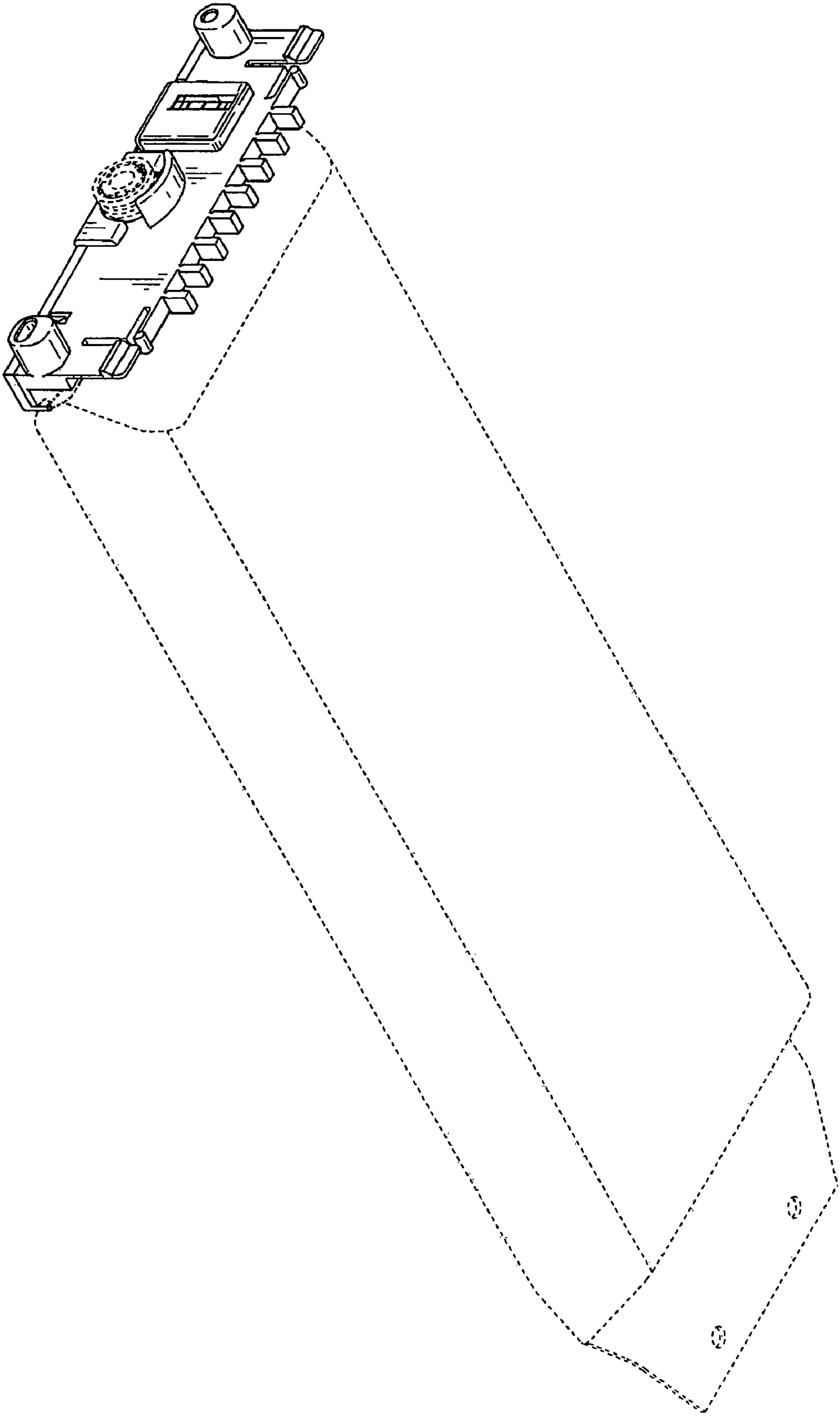


FIG. 1

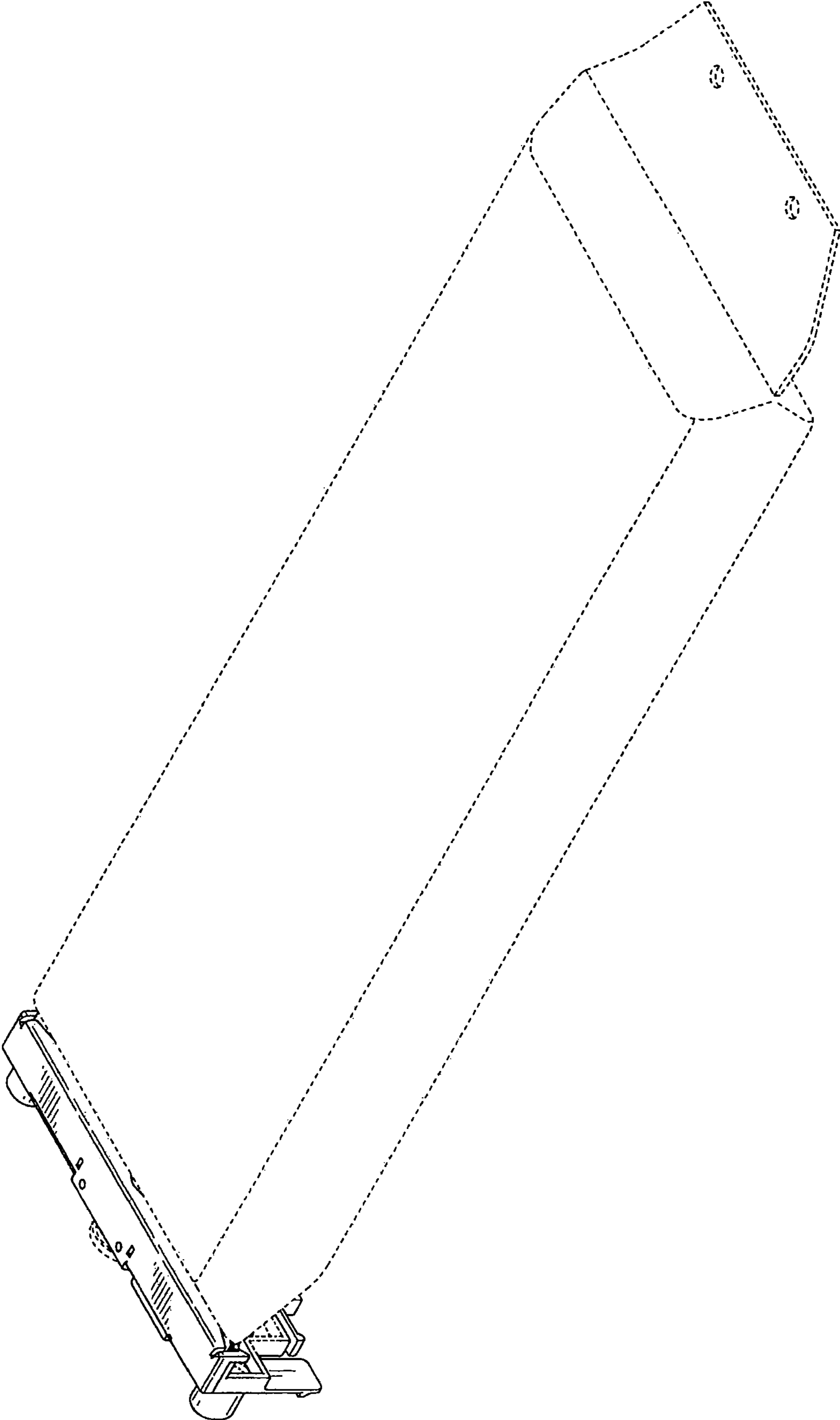


FIG. 2

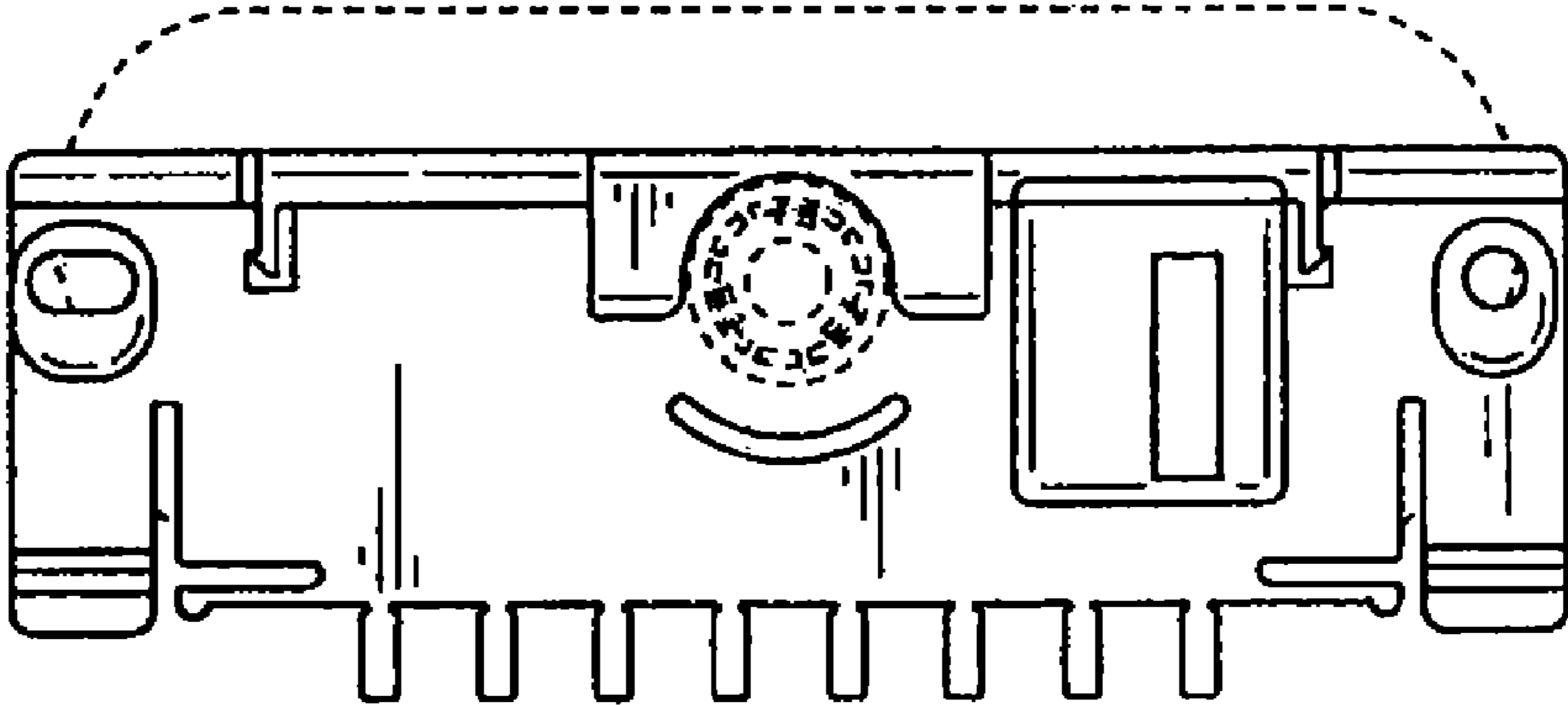


FIG. 3

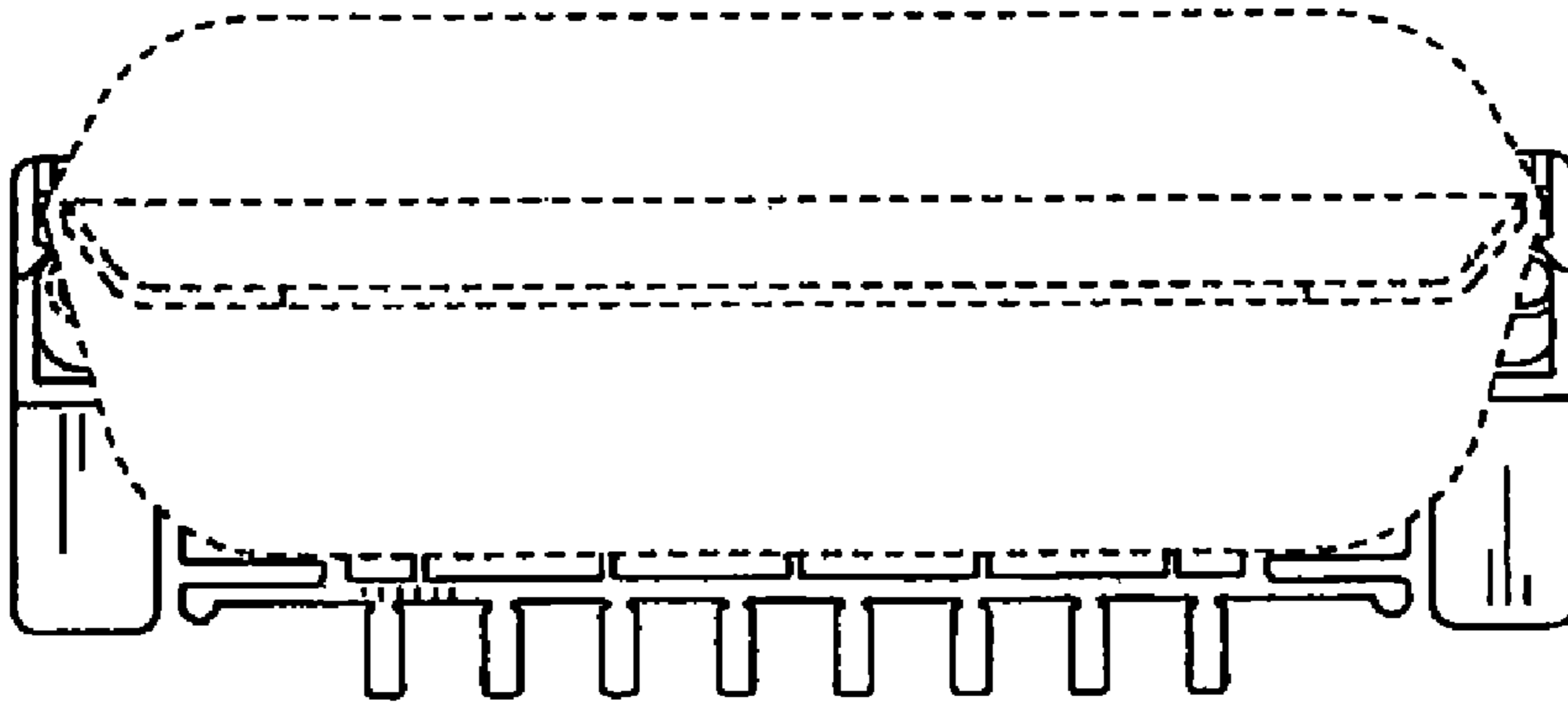


FIG. 4

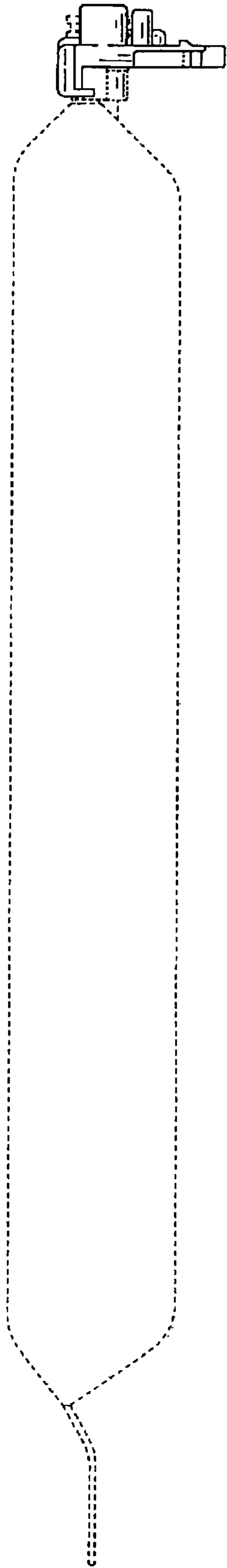


FIG. 5

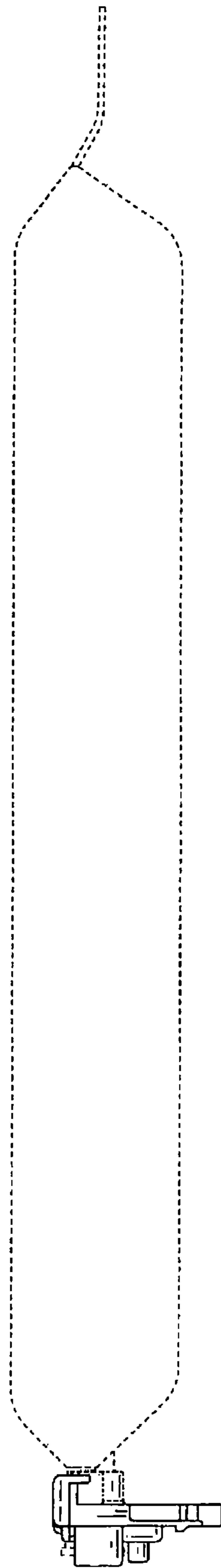


FIG. 6

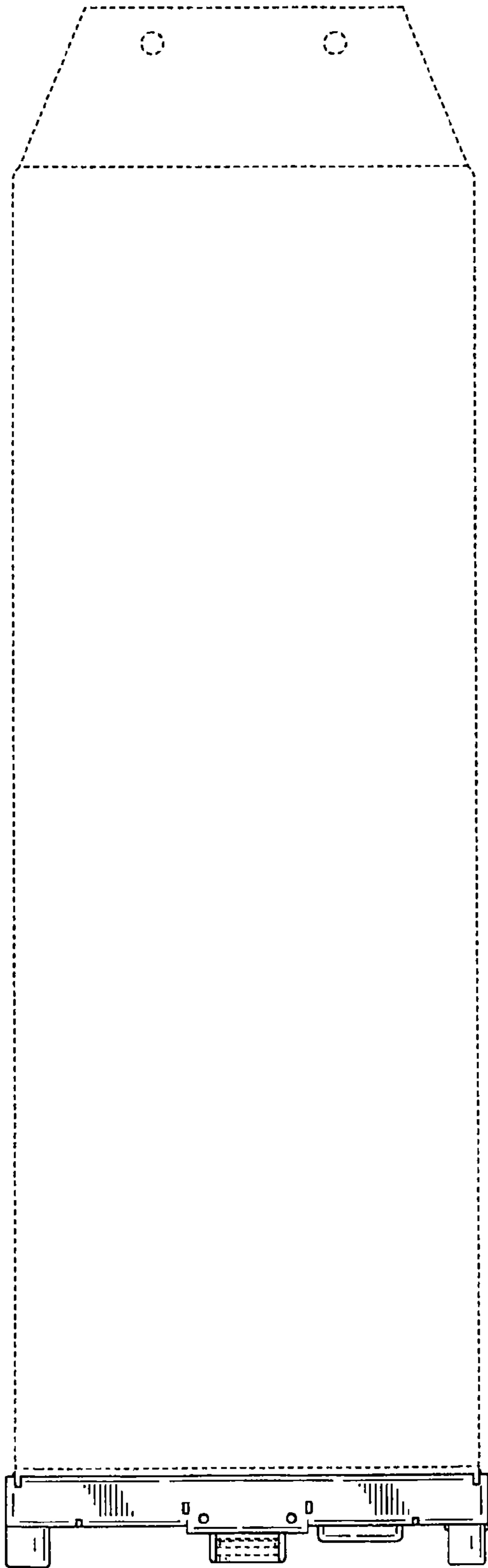


FIG. 7

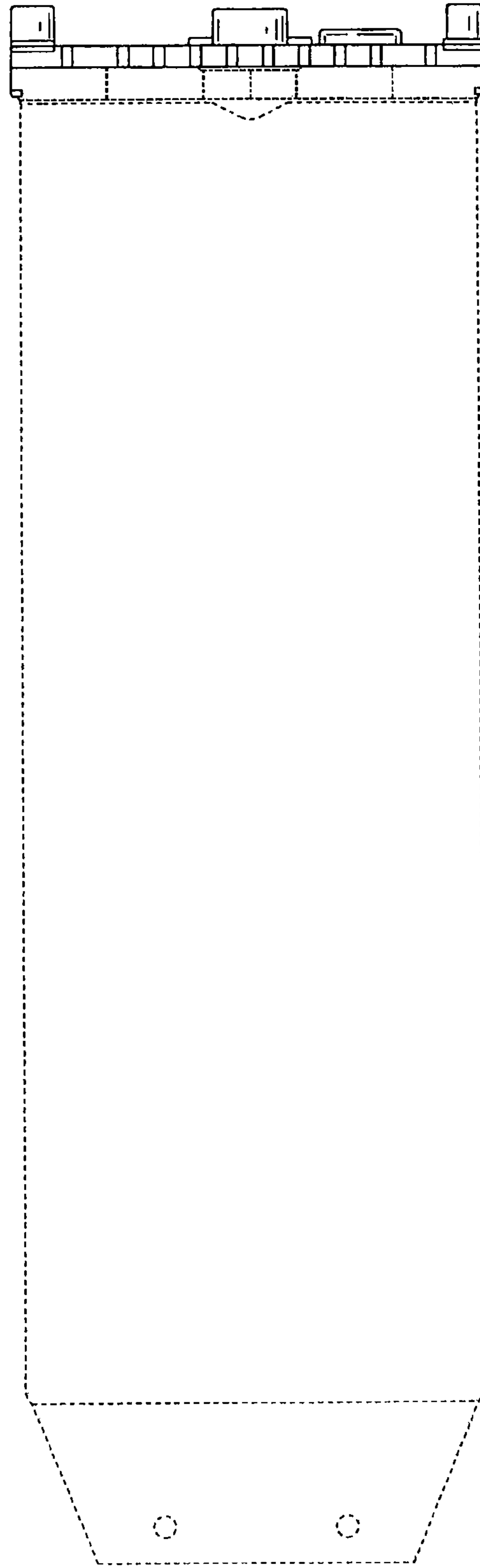


FIG. 8