



US00D626587S

(12) **United States Design Patent**  
**Ishio et al.**

(10) **Patent No.:** **US D626,587 S**

(45) **Date of Patent:** **\*\* Nov. 2, 2010**

(54) **ELECTRONIC COPYING MACHINE**

(75) Inventors: **Hisaya Ishio**, Kawaguchi (JP);  
**Katsuhiro Yoshida**, Kashiwa (JP)

(73) Assignee: **Toshiba Tec Kabushiki Kaisha** (JP)

(\*\*) Term: **14 Years**

(21) Appl. No.: **29/294,195**

(22) Filed: **Dec. 27, 2007**

(30) **Foreign Application Priority Data**

Jul. 19, 2007 (JP) ..... 2007-019679

(51) **LOC (9) Cl.** ..... **16-03**

(52) **U.S. Cl.** ..... **D18/39**

(58) **Field of Classification Search** ..... D18/36-41,  
D18/44-56; 222/DIG. 1; 271/3.14, 8.1,  
271/226, 278; 355/97, 98; 358/1.1; 399/1-7,  
399/16, 75, 81, 107, 130, 155, 361, 365,  
399/381-383, 388

See application file for complete search history.

(56) **References Cited**

**U.S. PATENT DOCUMENTS**

- D433,439 S \* 11/2000 Yoshida et al. .... D18/36
- D443,635 S \* 6/2001 Ogawa et al. .... D18/39
- D486,851 S \* 2/2004 Ohashi ..... D18/39
- D502,210 S \* 2/2005 Katori et al. .... D18/39
- D537,109 S \* 2/2007 Mizusugi et al. .... D18/39

- D537,866 S \* 3/2007 Matsuda et al. .... D18/39
- D538,330 S \* 3/2007 Hatanaka et al. .... D18/39
- D564,018 S \* 3/2008 Ishii et al. .... D18/49
- D573,177 S \* 7/2008 Isogai et al. .... D18/39
- D577,763 S \* 9/2008 Hidaka et al. .... D18/39
- 2005/0175371 A1 \* 8/2005 Kunugi ..... 399/107
- 2007/0140731 A1 \* 6/2007 Yonekawa ..... 399/107

\* cited by examiner

*Primary Examiner*—Garth Rademaker

(74) *Attorney, Agent, or Firm*—Harness, Dickey & Pierce,  
P.L.C.

(57) **CLAIM**

The ornamental design for an electronic copying machine, as shown and described.

**DESCRIPTION**

FIG. 1 is a front, top and right side perspective view of an electronic copying machine, showing our new design;

FIG. 2 is a front view thereof;

FIG. 3 is a rear view thereof;

FIG. 4 is a top view thereof;

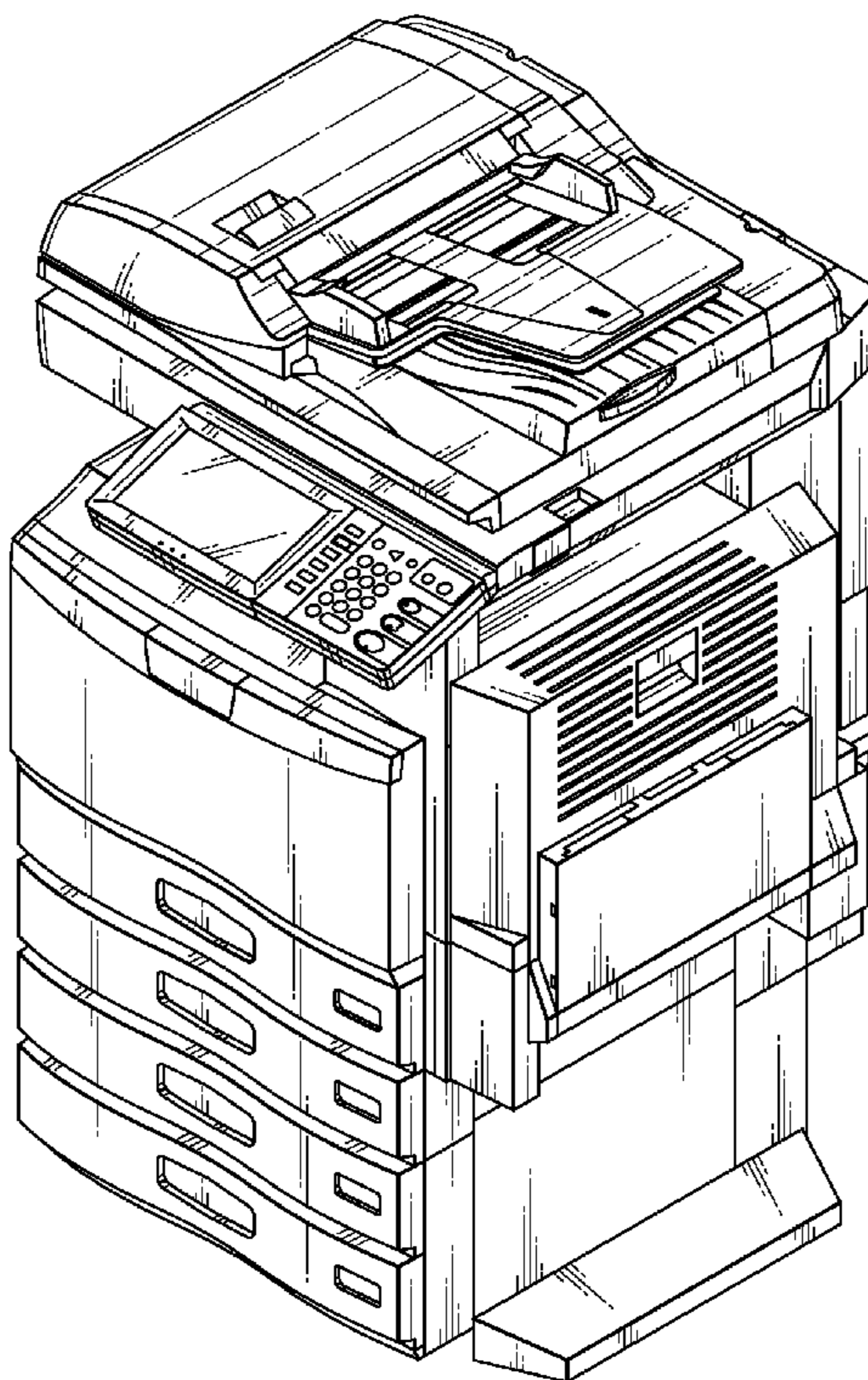
FIG. 5 is a bottom view thereof;

FIG. 6 is a right side view thereof; and,

FIG. 7 is a left side view thereof.

The broken lines are for purposes of illustration only and form no part of the claimed design.

**1 Claim, 6 Drawing Sheets**



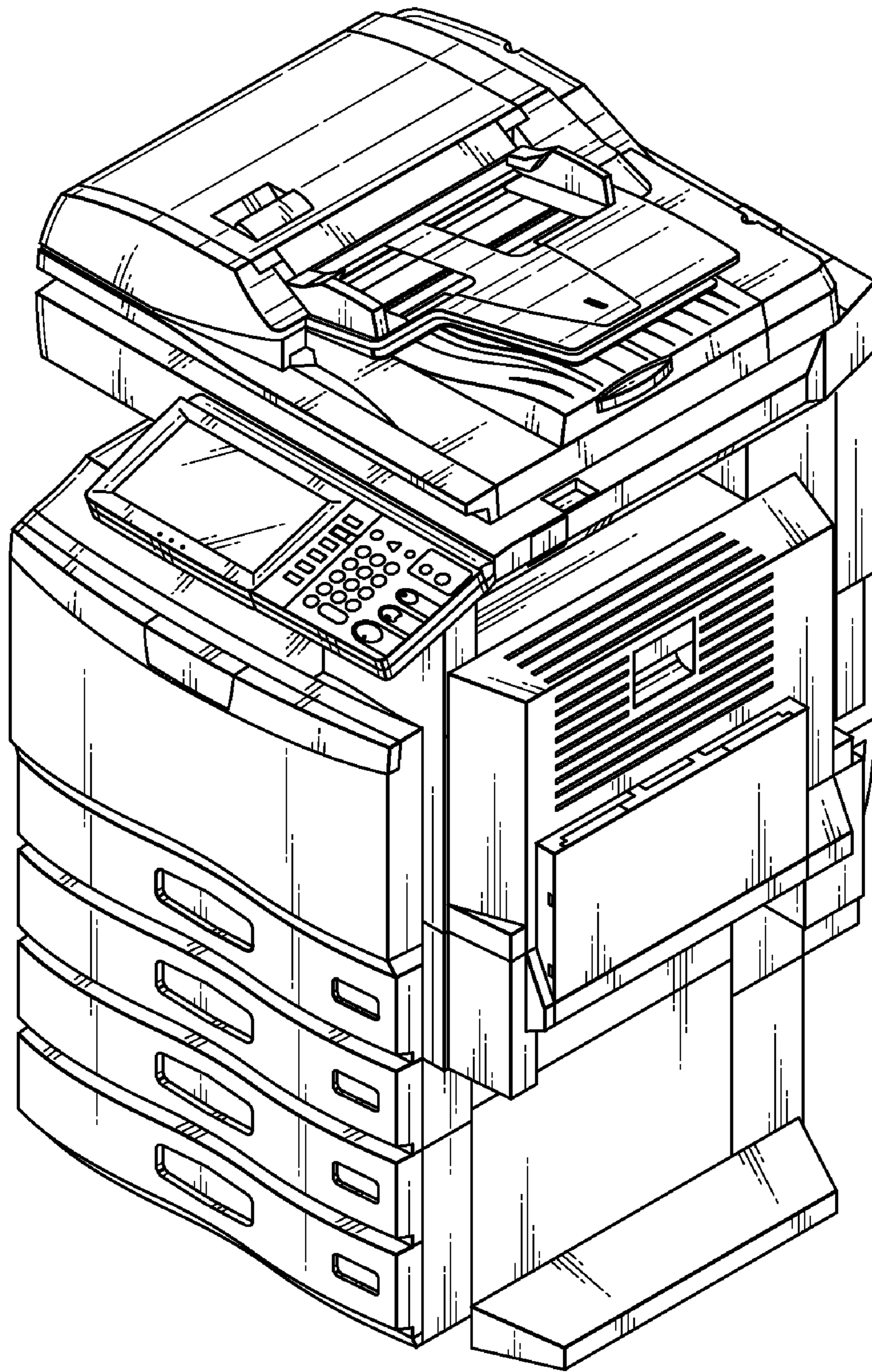


FIG.1

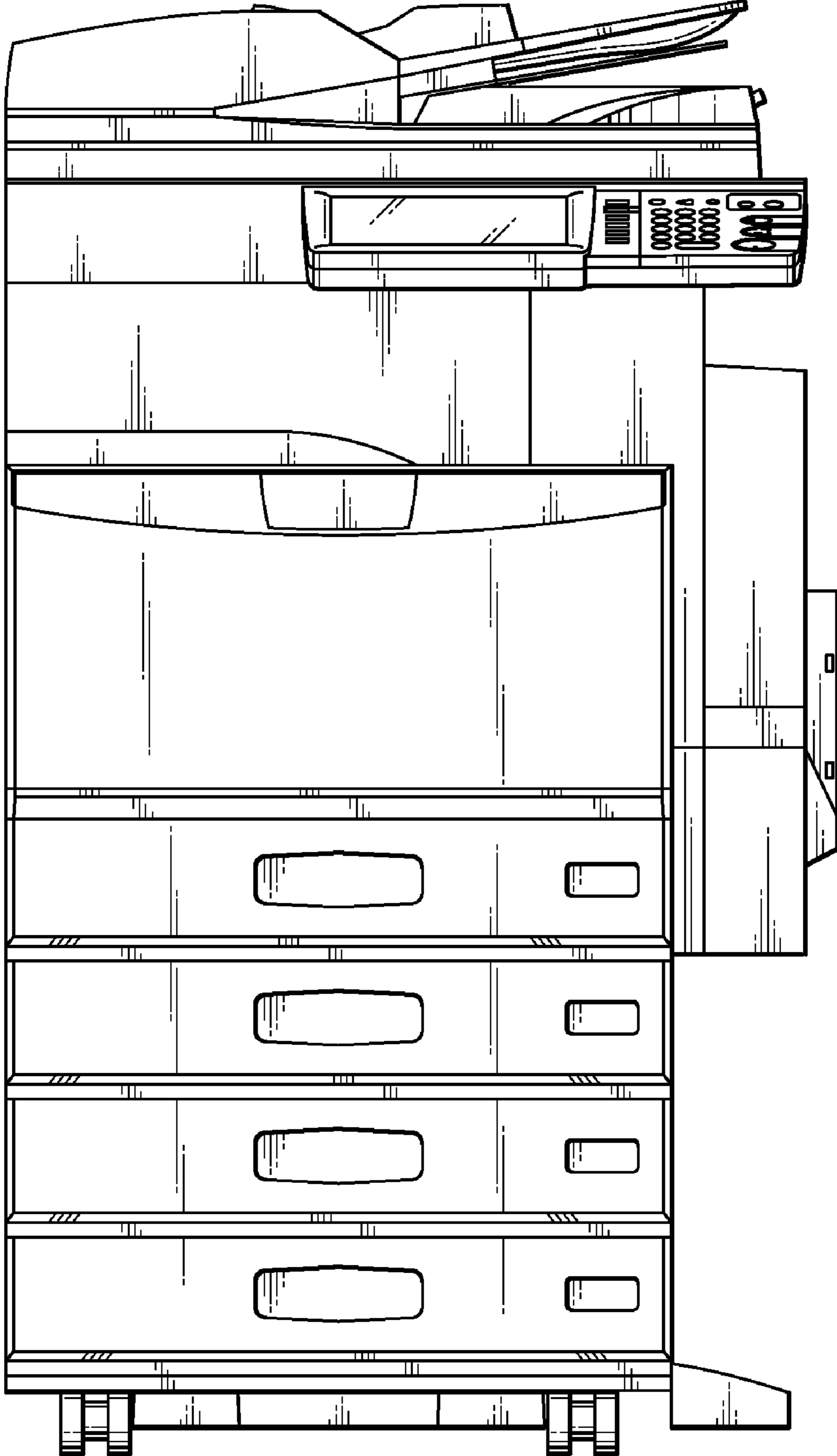


FIG.2

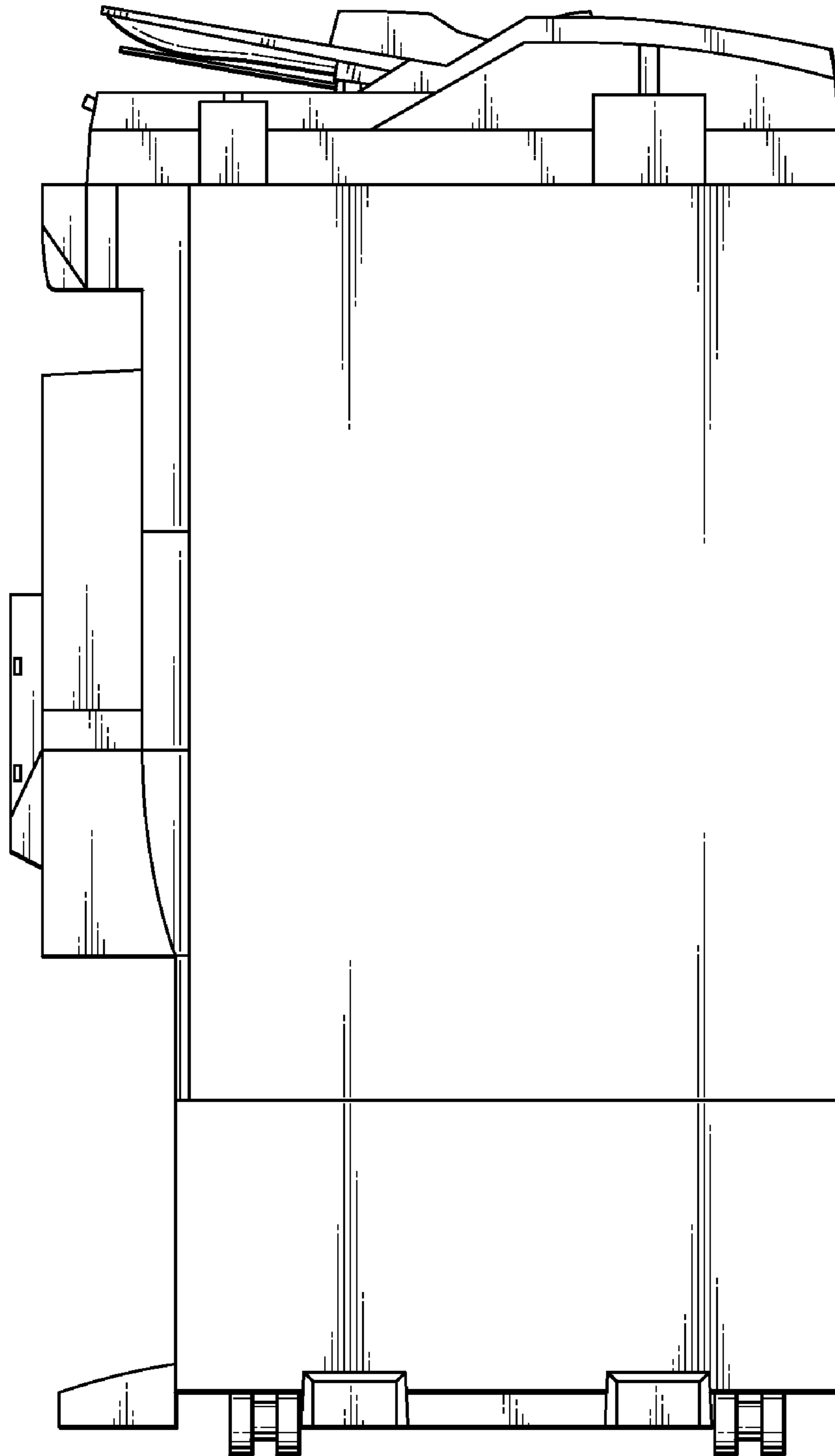


FIG.3

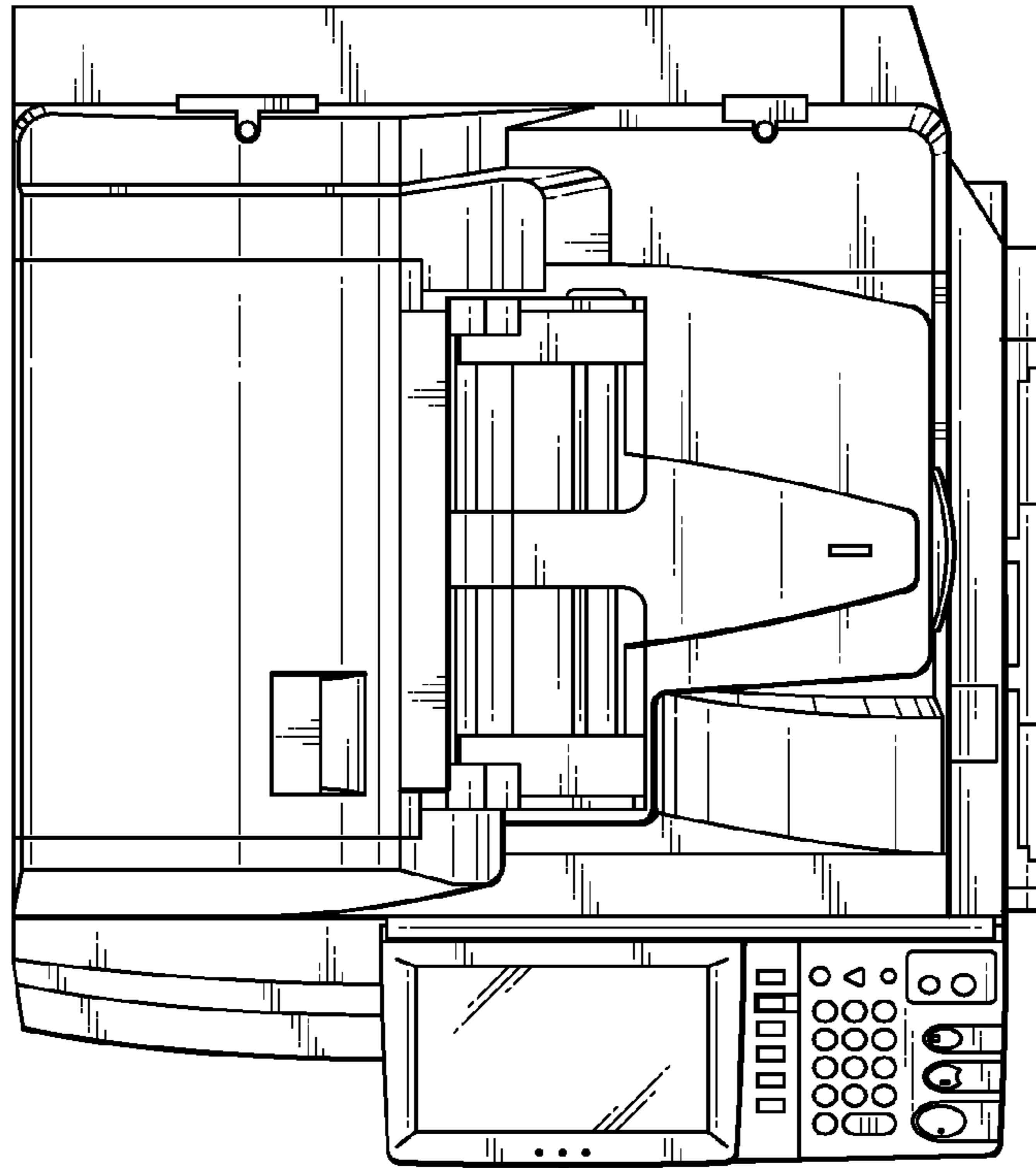


FIG. 4

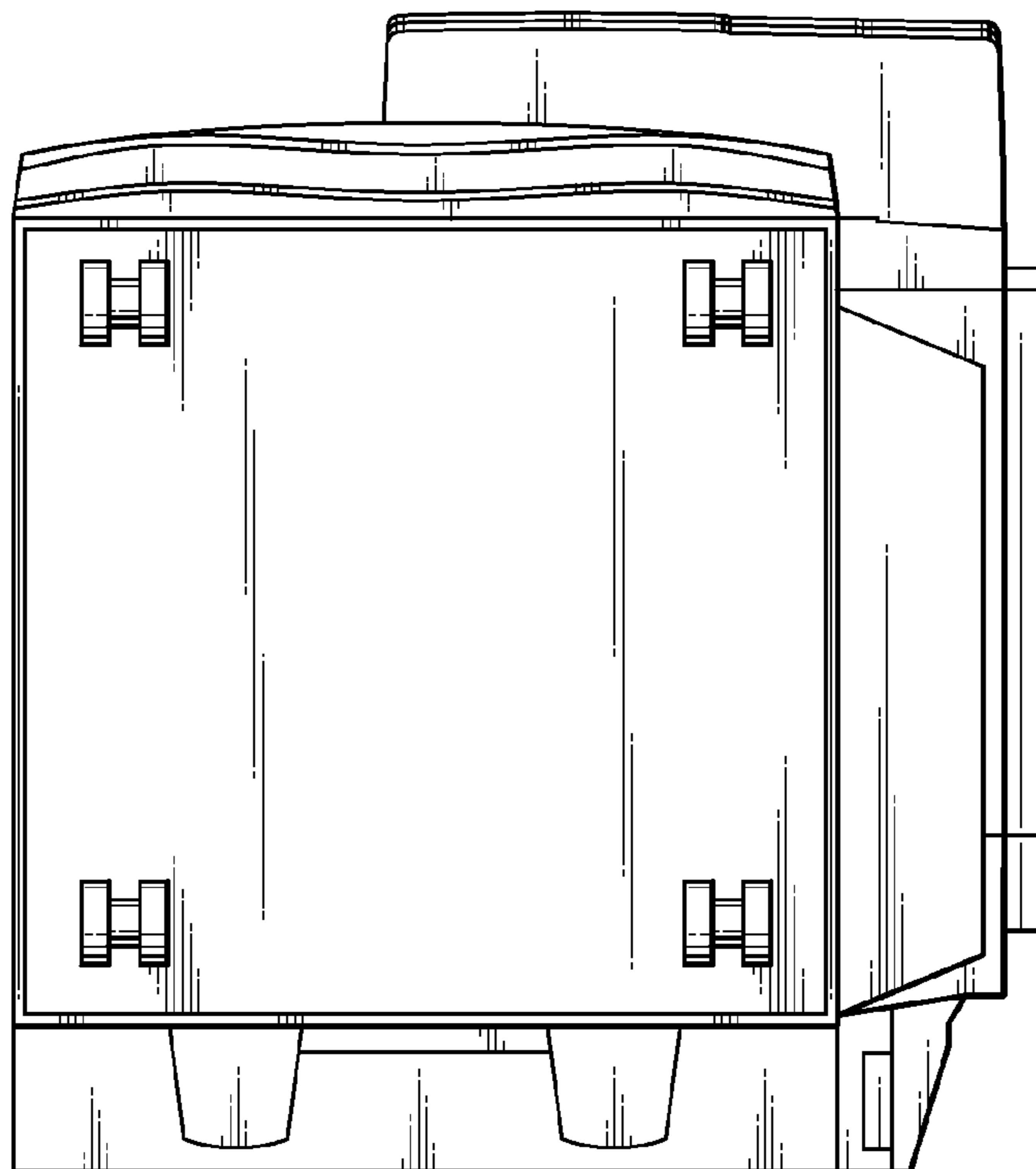


FIG. 5

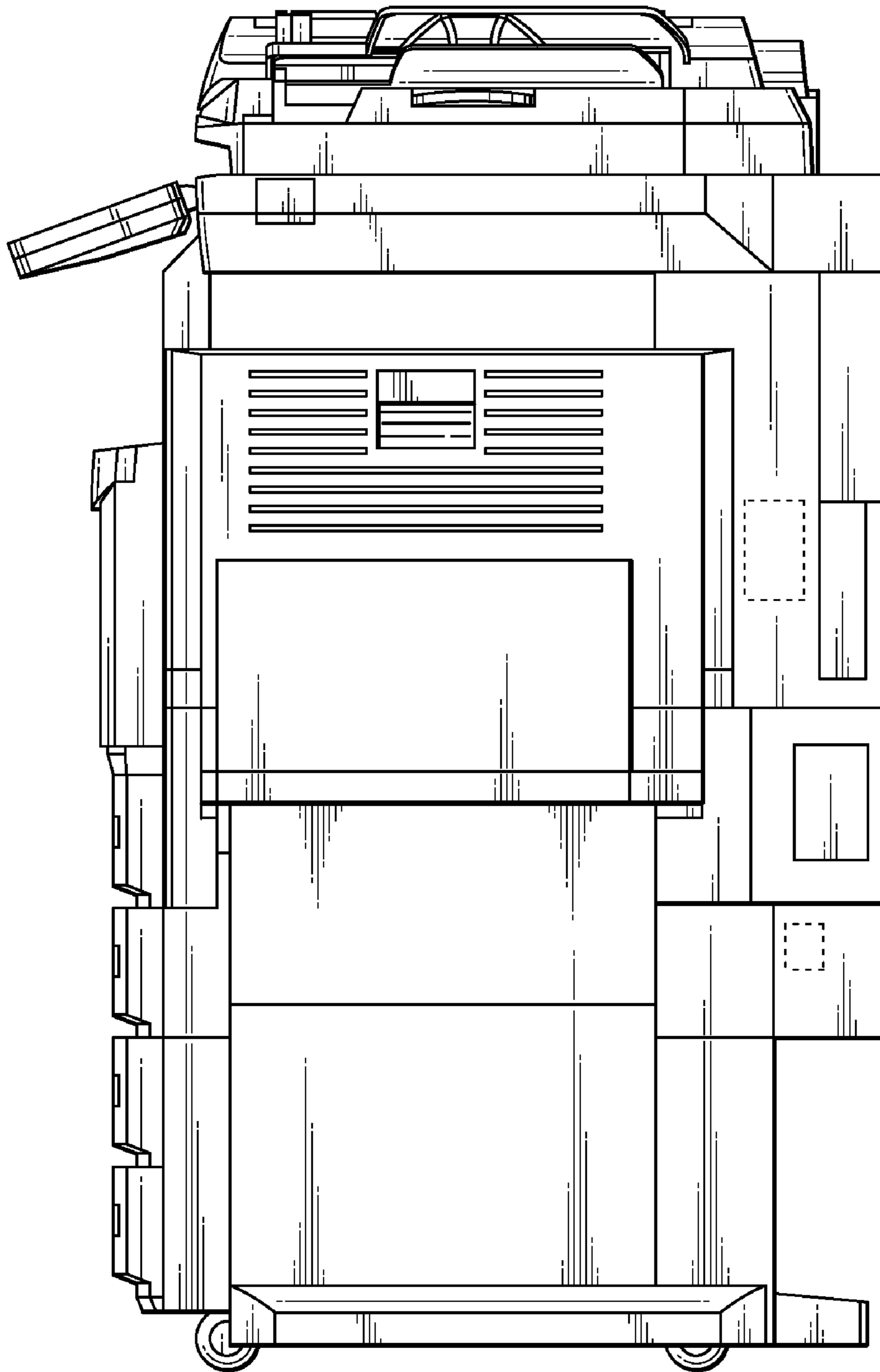


FIG.6

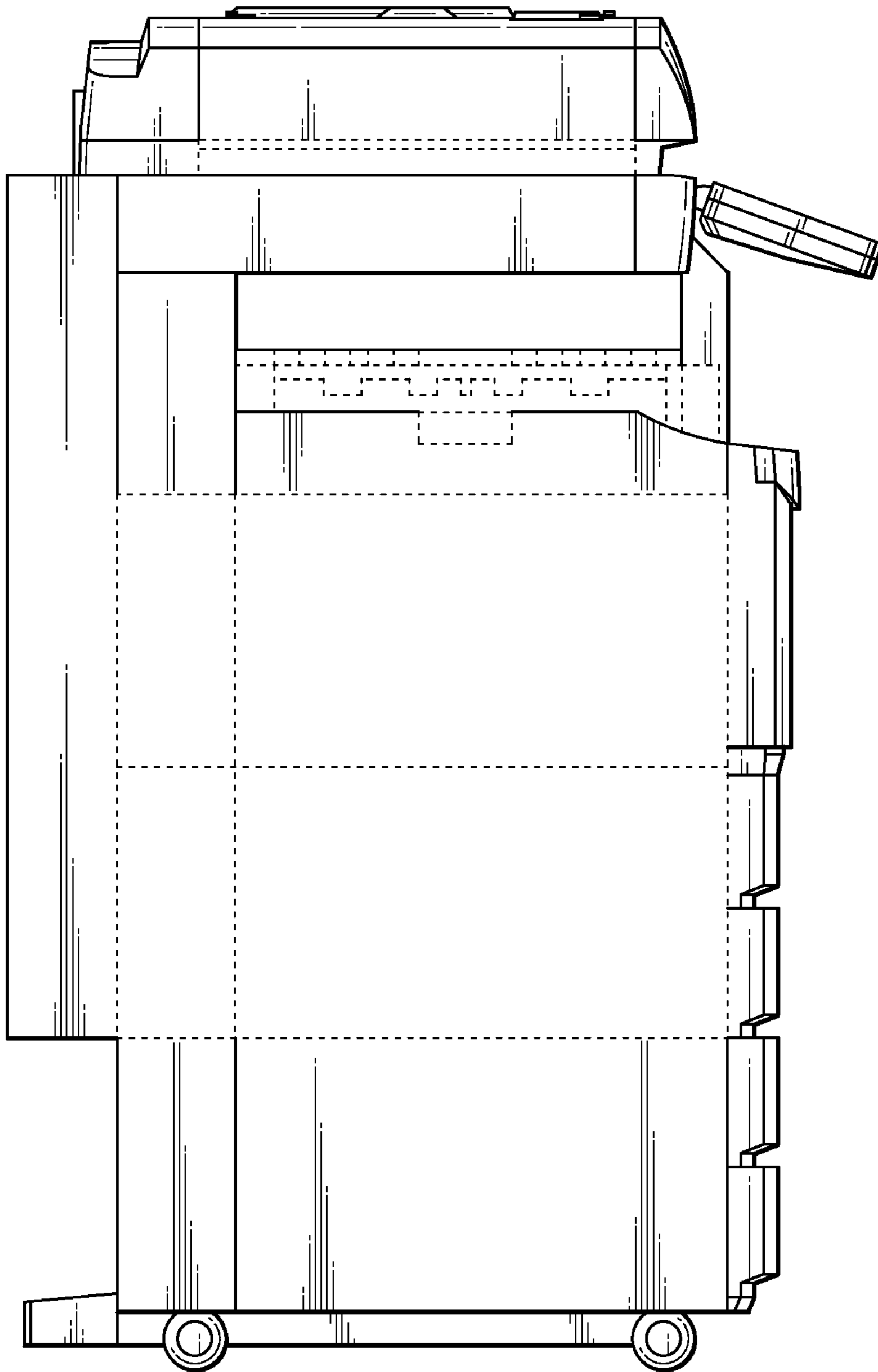


FIG.7