



US00D626586S

(12) **United States Design Patent**  
**Shih**

(10) **Patent No.:** **US D626,586 S**  
(45) **Date of Patent:** **\*\* Nov. 2, 2010**

(54) **STAMP MOUNT COVER**

(75) Inventor: **Hsu-Shen Shih**, Tainan (TW)

(73) Assignee: **Sun Same Enterprises Co., Ltd.**,  
Yongkang, Tainan Hsien (TW)

(\*\*) Term: **14 Years**

(21) Appl. No.: **29/342,687**

(22) Filed: **Aug. 28, 2009**

(51) **LOC (9) Cl.** ..... **19-02**

(52) **U.S. Cl.** ..... **D18/18**

(58) **Field of Classification Search** ..... D18/53,  
D18/55, 39, 54, 38, 15-19; 399/81, 107,  
399/151, 139; 101/131, 287, 333, 368; D14/303;  
400/611-629; 347/86

See application file for complete search history.

(56) **References Cited**

**U.S. PATENT DOCUMENTS**

765,110	A *	7/1904	Test	.....	101/371
3,646,907	A *	3/1972	Dudley	.....	118/264
4,267,772	A *	5/1981	Maitland	.....	101/103
D389,175	S *	1/1998	Imamaki	.....	D18/18
5,974,969	A *	11/1999	Okumura et al.	.....	101/327
D427,234	S *	6/2000	Loy et al.	.....	D18/15

D502,498	S *	3/2005	Kida et al.	.....	D18/18
7,066,089	B1 *	6/2006	Shih	.....	101/334
7,506,582	B2 *	3/2009	Petersen	.....	101/333
7,686,440	B2 *	3/2010	Silverbrook et al.	.....	347/86

\* cited by examiner

*Primary Examiner*—Charles A Rademaker

(74) *Attorney, Agent, or Firm*—Su IP Consulting

(57) **CLAIM**

The ornamental design for a stamp mount cover, as shown and described.

**DESCRIPTION**

FIG. 1 is a top perspective view of the stamp mount cover in accordance with my design.

FIG. 2 is a bottom perspective view thereof.

FIG. 3 is a top elevation view thereof.

FIG. 4 is a right side elevation view thereof.

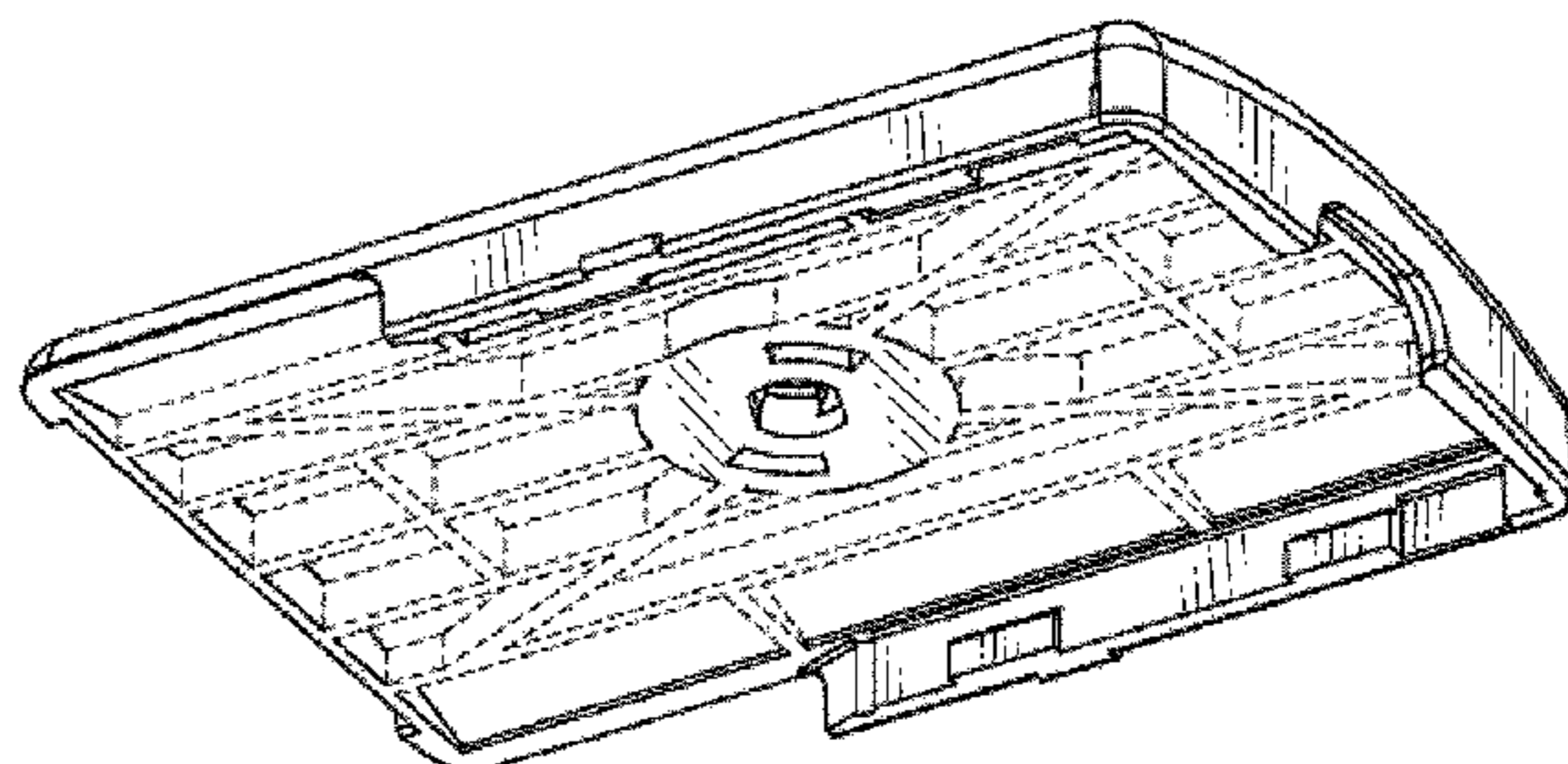
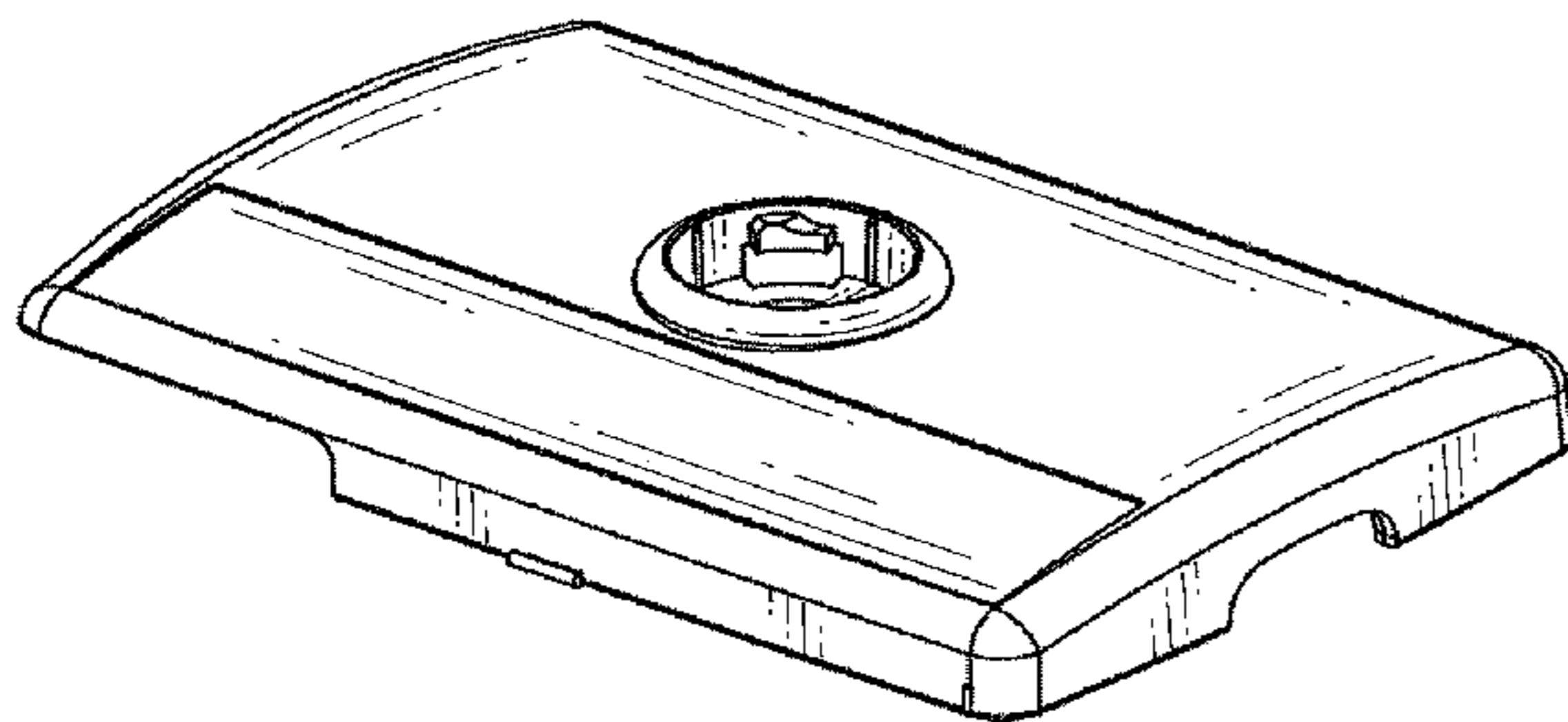
FIG. 5 is a left side elevation view thereof.

FIG. 6 is a front elevation view thereof.

FIG. 7 is a rear elevation view thereof; and,

FIG. 8 is a bottom elevation view thereof.

**1 Claim, 8 Drawing Sheets**



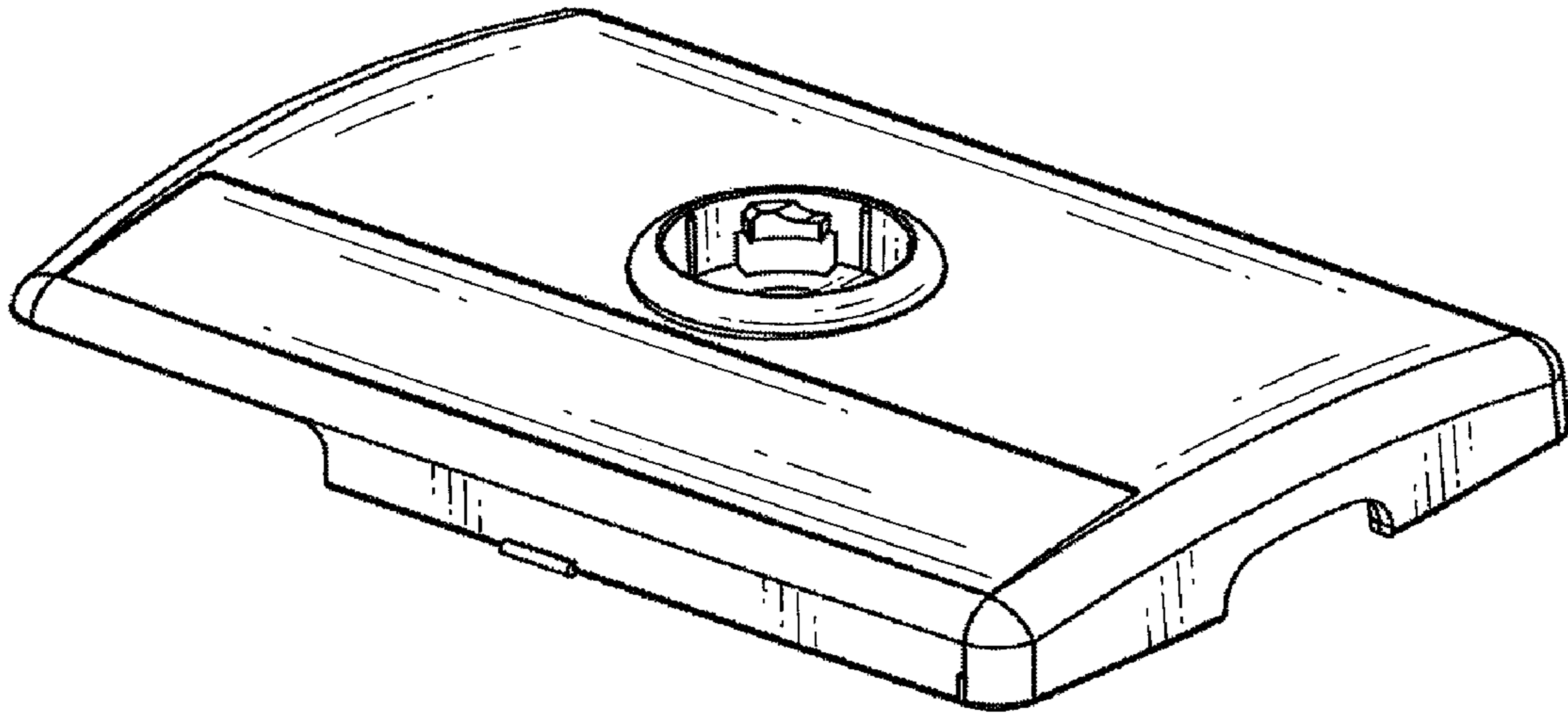


FIG. 1

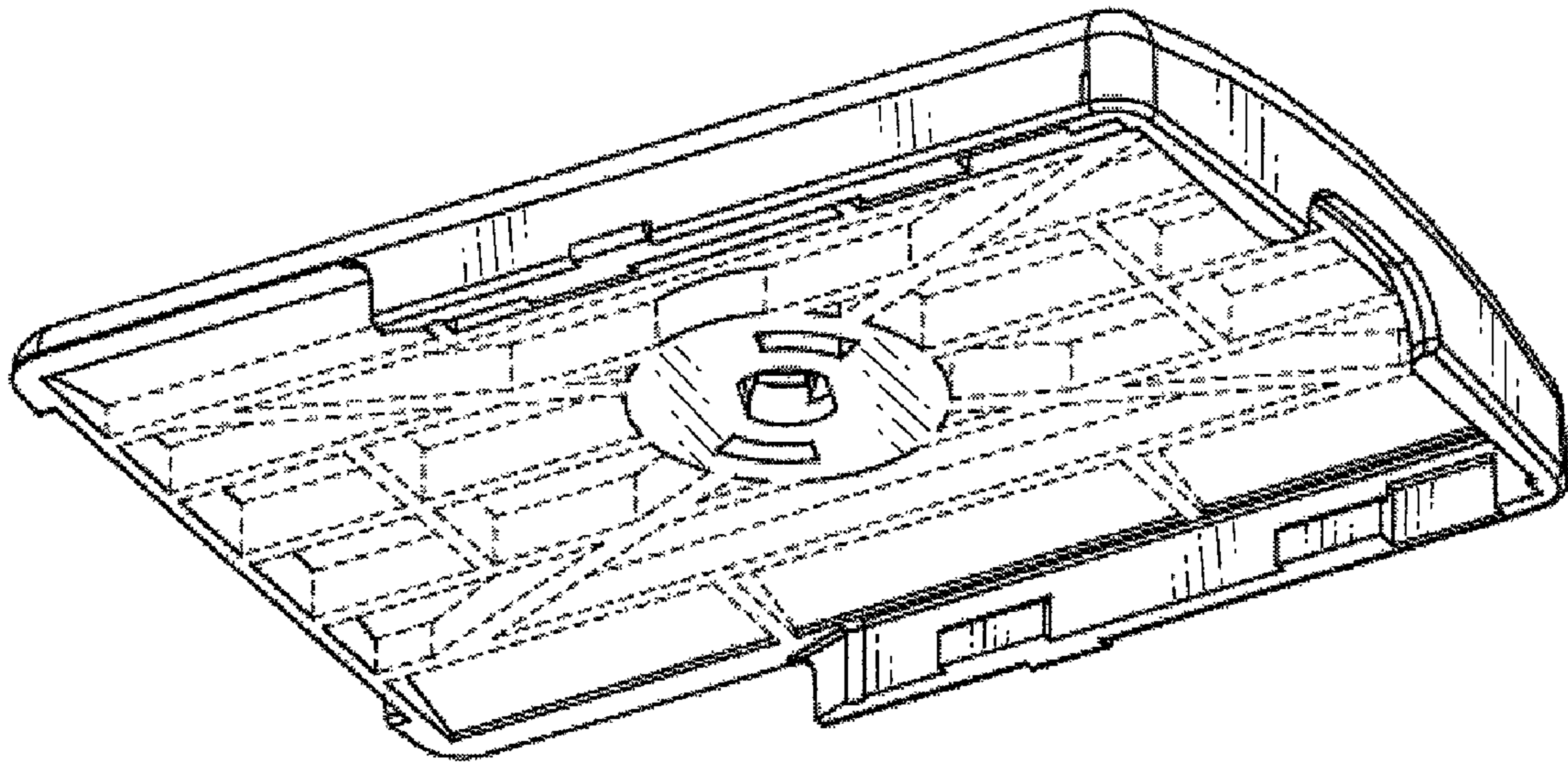


FIG. 2

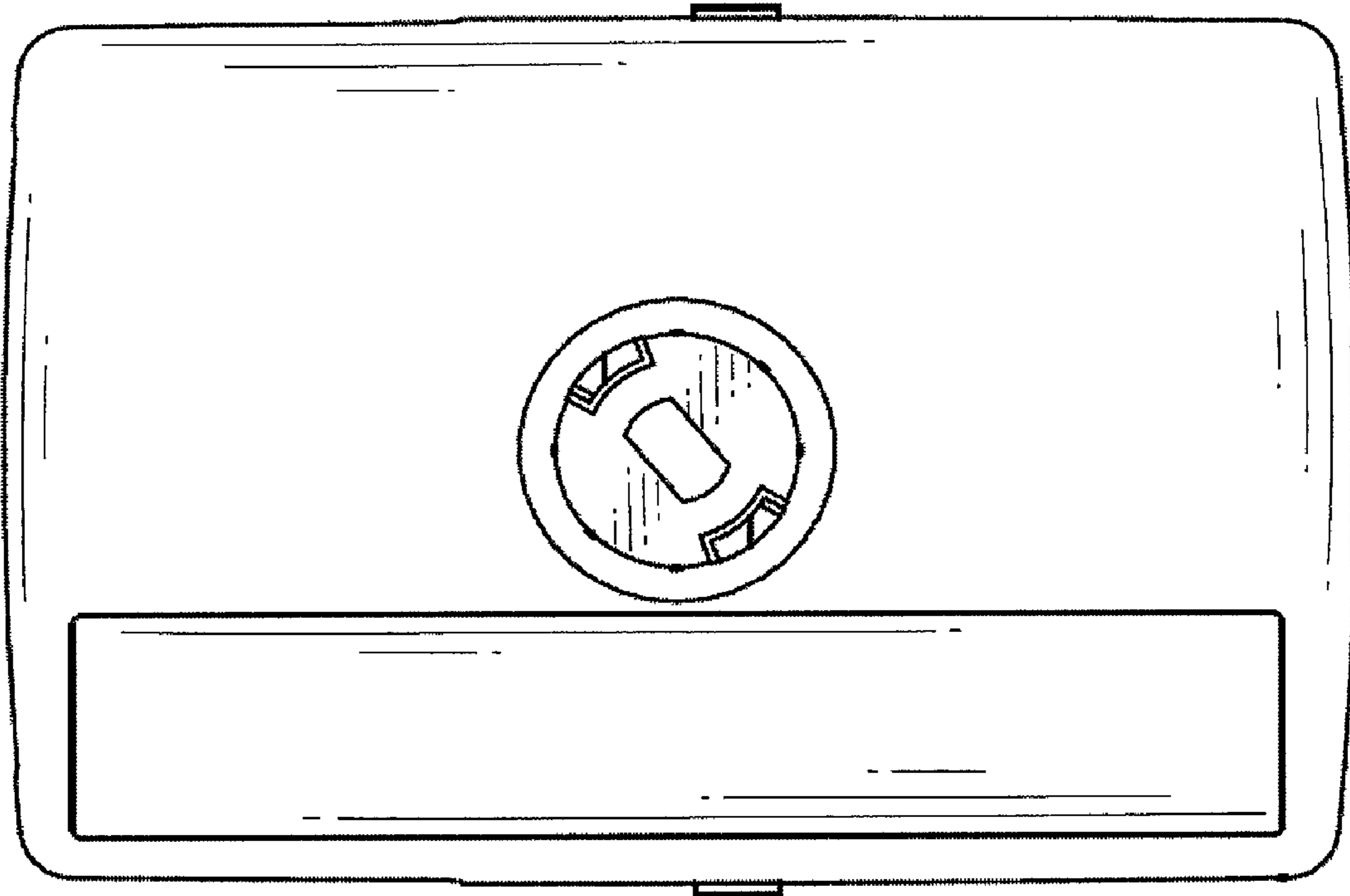


FIG. 3

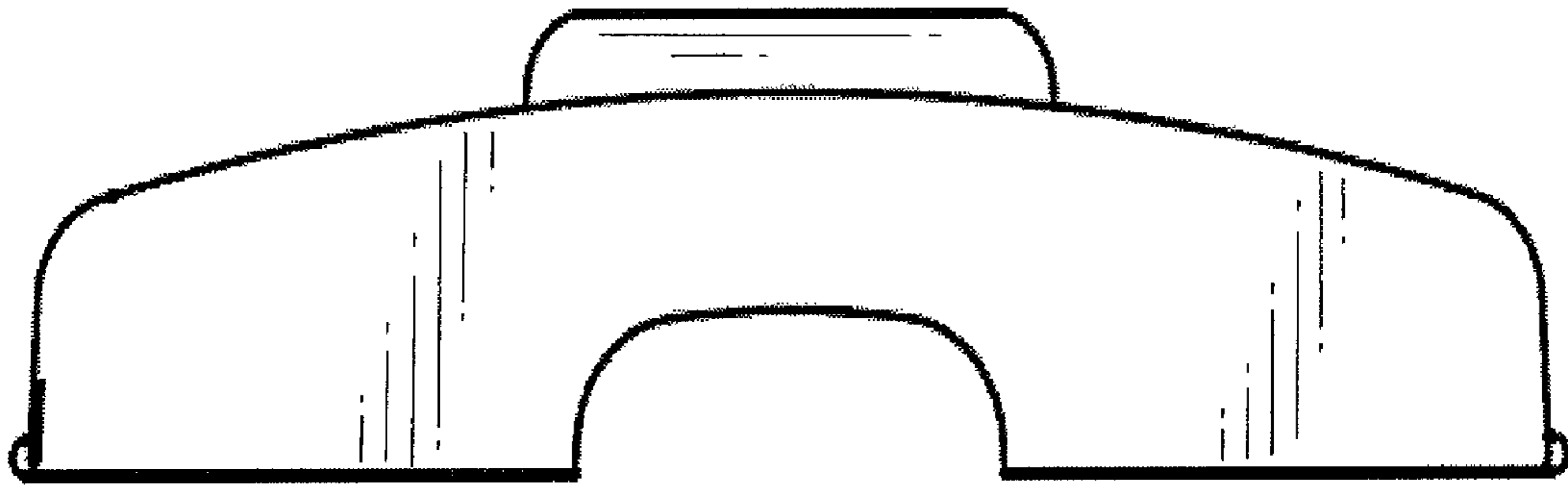
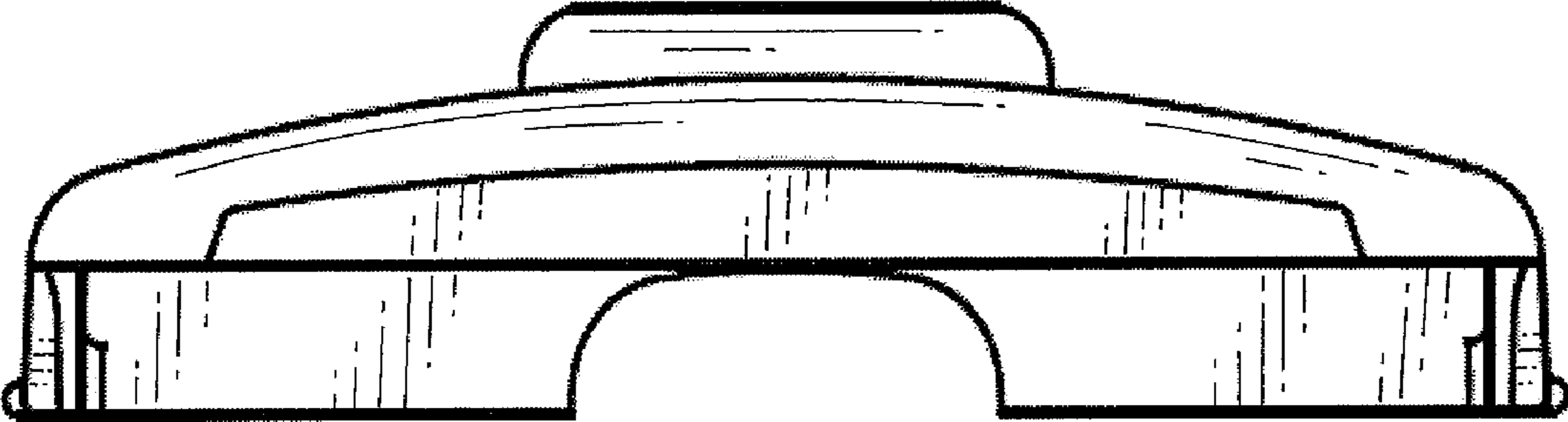


FIG. 4



**FIG. 5**

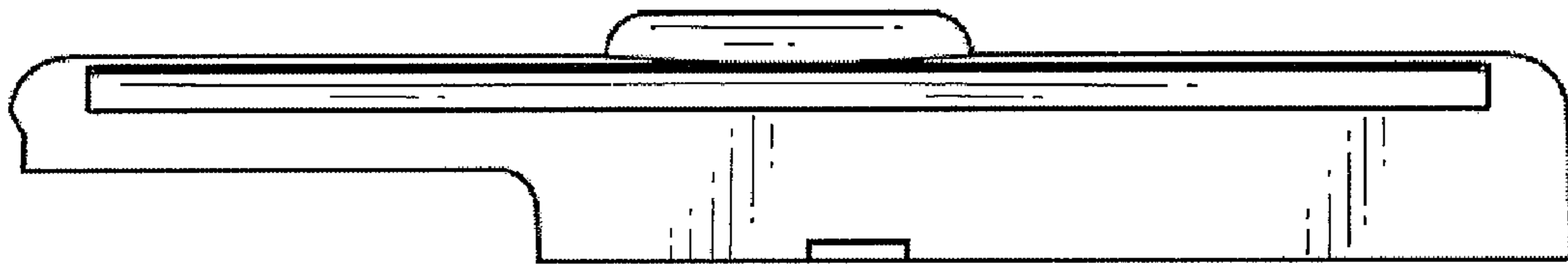


FIG. 6



FIG. 7



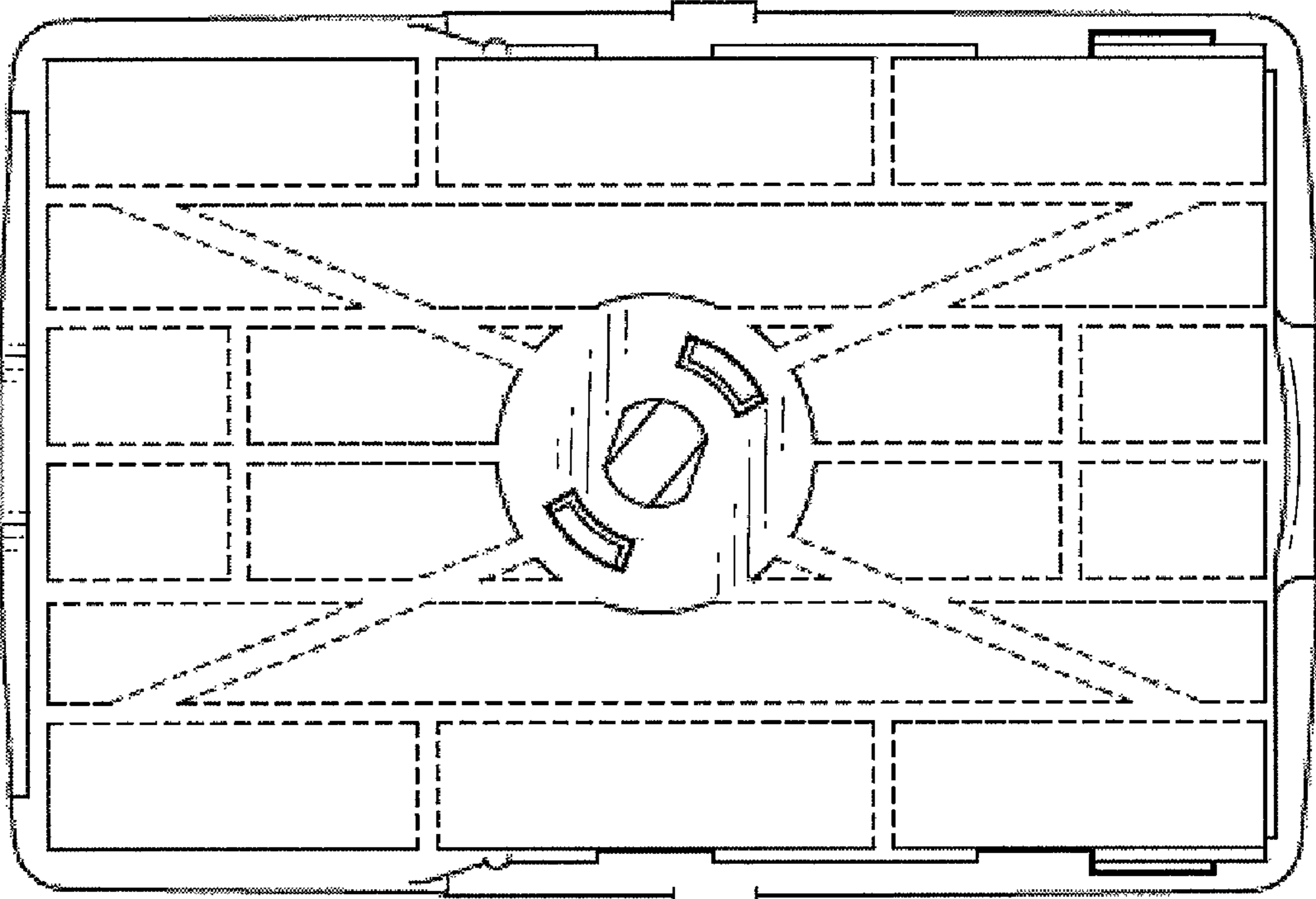


FIG. 8