



US00D626585S

(12) **United States Design Patent**  
**Shih**

(10) **Patent No.:** **US D626,585 S**  
(45) **Date of Patent:** **\*\* Nov. 2, 2010**

(54) **STAMP MOUNT COVER**

(75) Inventor: **Hsu-Shen Shih**, Tainan (TW)

(73) Assignee: **Sun Same Enterprises Co., Ltd.**,  
Yongkang, Tainan Hsien (TW)

(\*\*) Term: **14 Years**

(21) Appl. No.: **29/342,686**

(22) Filed: **Aug. 28, 2009**

(51) **LOC (9) Cl.** ..... **19-02**

(52) **U.S. Cl.** ..... **D18/18**

(58) **Field of Classification Search** ..... D18/53,  
D18/55, 39, 54, 38, 15-19; 399/81, 107,  
399/151, 139; 101/131, 287, 333, 368; D14/303;  
400/611-629; 347/86

See application file for complete search history.

(56) **References Cited**

**U.S. PATENT DOCUMENTS**

3,158,096	A *	11/1964	Arnold	.....	101/368
4,996,921	A *	3/1991	Hong	.....	101/333
D346,396	S *	4/1994	Sculler	.....	D18/18
5,647,278	A *	7/1997	Wu	.....	101/368
5,870,953	A *	2/1999	Winston	.....	101/333
5,992,319	A *	11/1999	Hsu	.....	101/368
D446,542	S *	8/2001	Suto	.....	D18/18

D459,386	S *	6/2002	Pichler	.....	D18/17
D497,629	S *	10/2004	Kuhr	.....	D18/17
7,635,180	B2 *	12/2009	Hattori et al.	.....	347/86

\* cited by examiner

*Primary Examiner*—Charles A Rademaker

(74) *Attorney, Agent, or Firm*—Su IP Consulting

(57) **CLAIM**

The ornamental design for a stamp mount cover, as shown and described.

**DESCRIPTION**

FIG. 1 is a top perspective view of the stamp mount cover in accordance with my design.

FIG. 2 is a bottom perspective view thereof.

FIG. 3 is a top elevation view thereof.

FIG. 4 is a right side elevation view thereof.

FIG. 5 is a left side elevation view thereof.

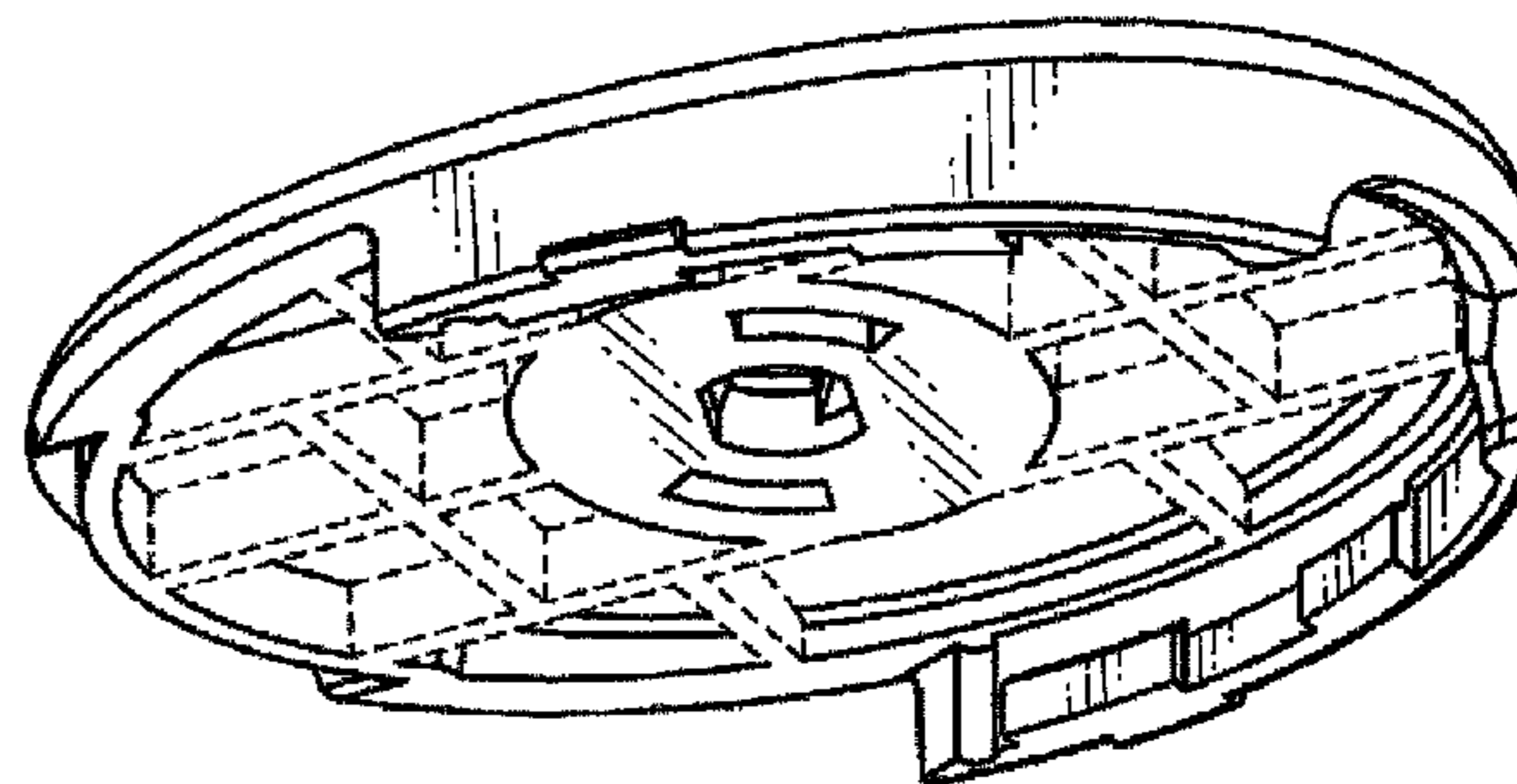
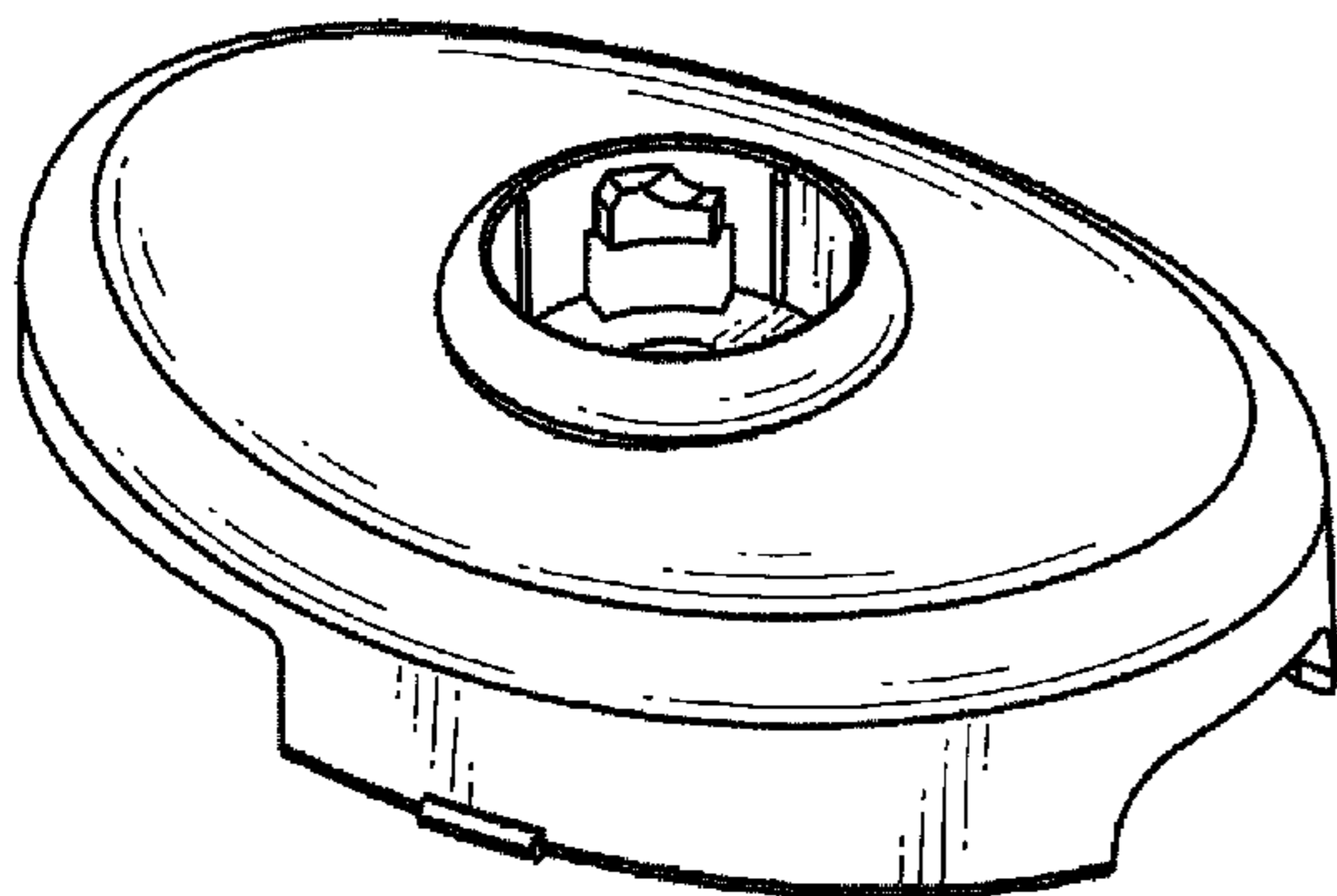
FIG. 6 is a front elevation view thereof.

FIG. 7 is a rear elevation view thereof; and,

FIG. 8 is a bottom elevation view thereof.

The broken lines showing environment structure are for illustrative purposes and form no part of the claimed design.

**1 Claim, 8 Drawing Sheets**



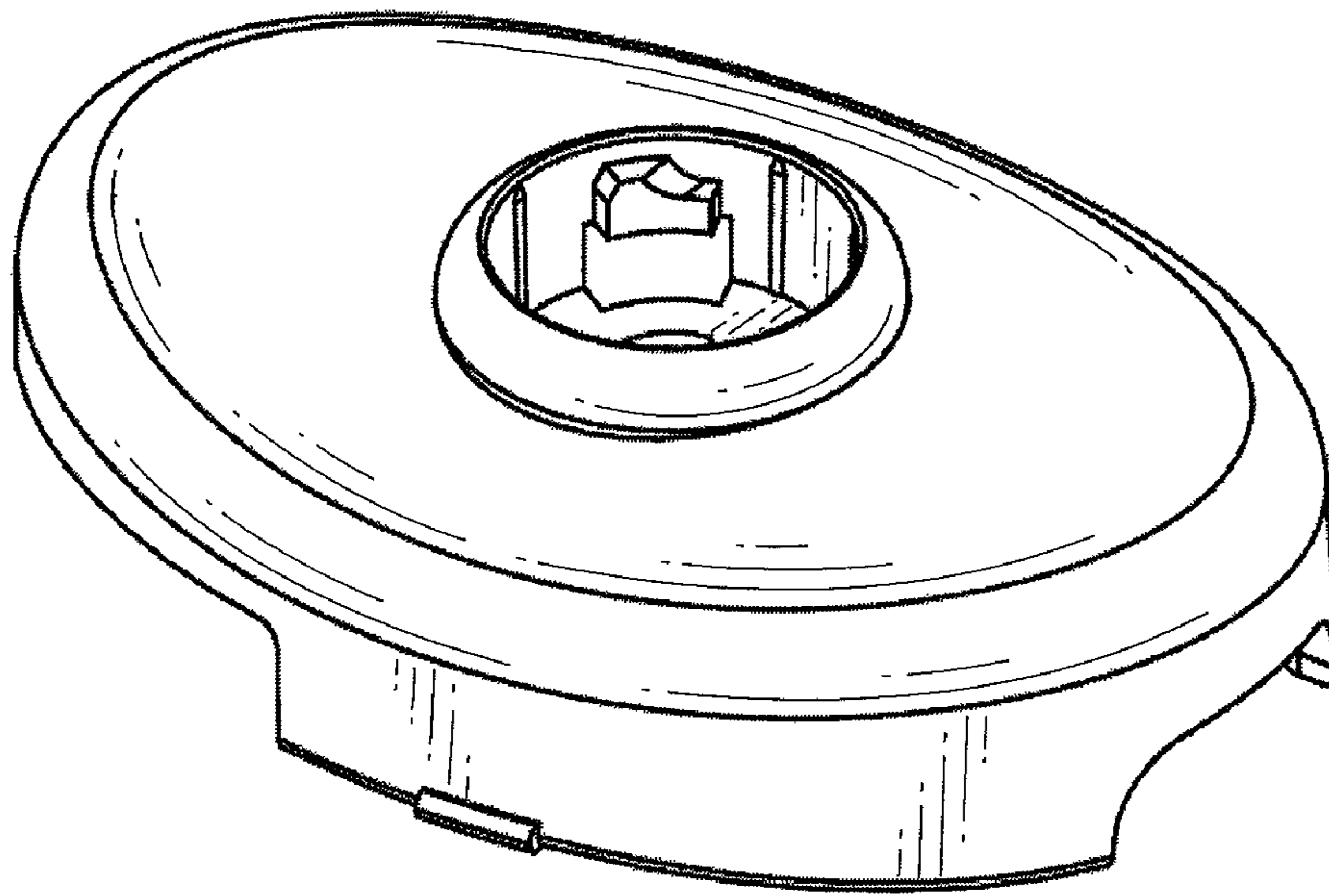


FIG. 1

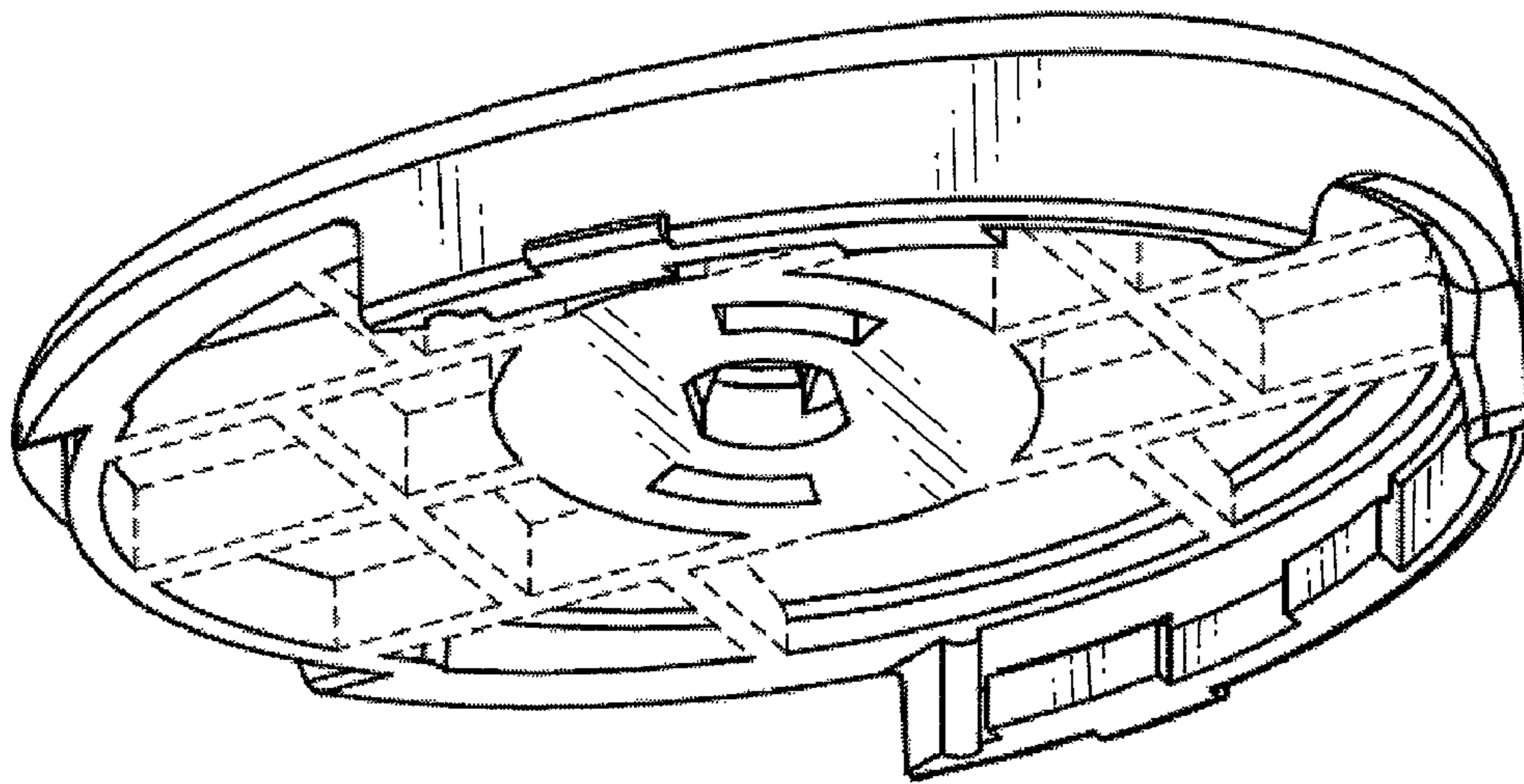


FIG. 2

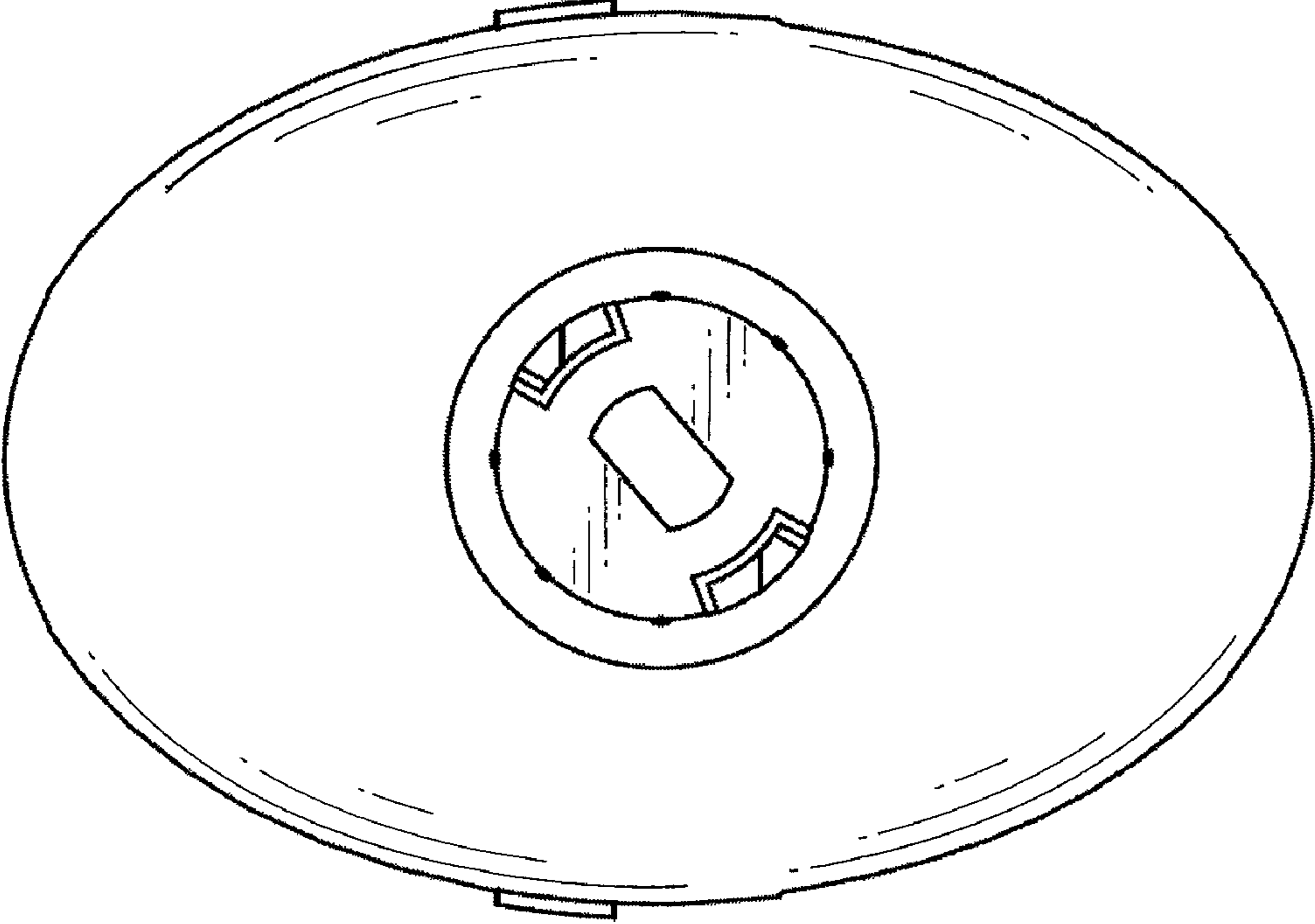


FIG. 3

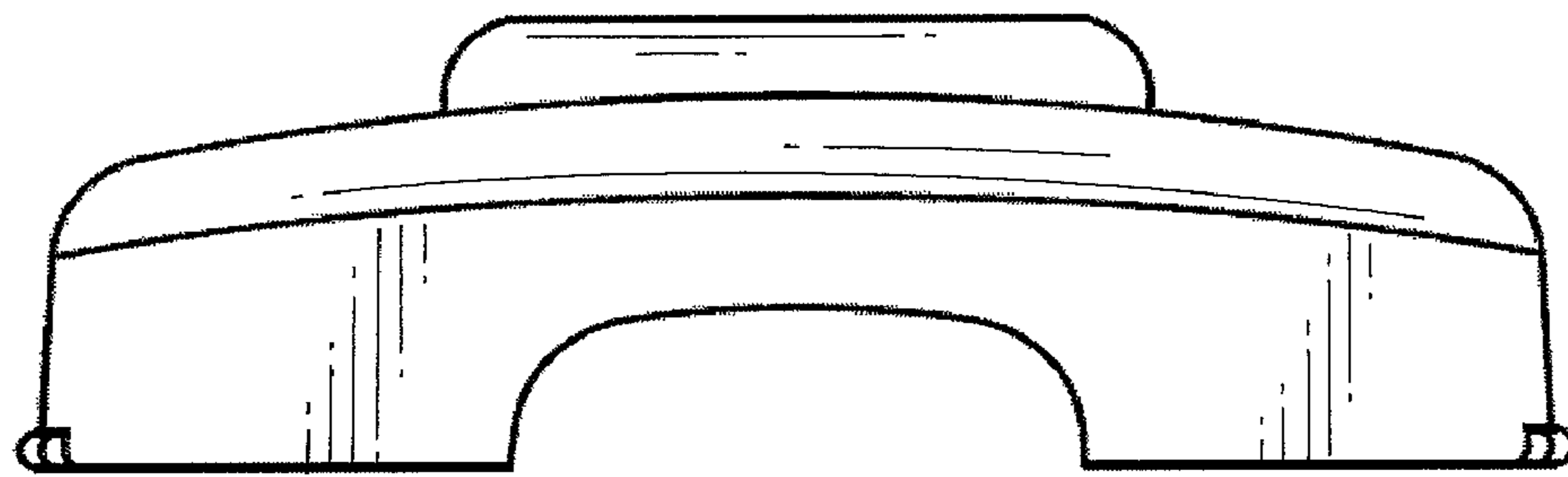


FIG. 4

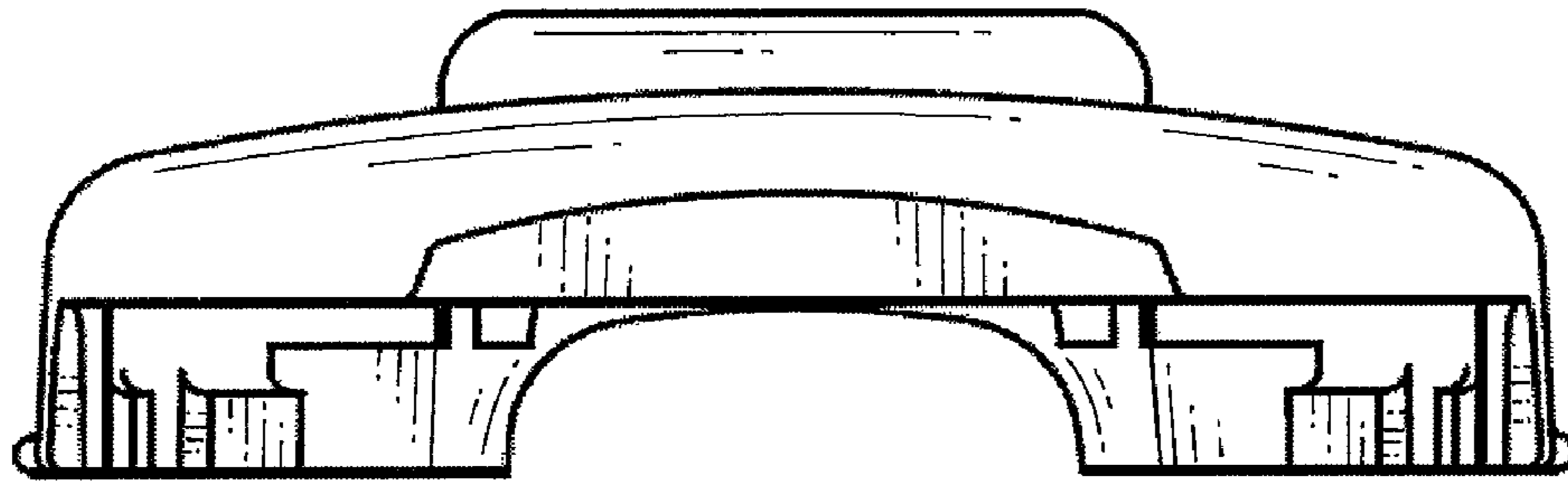


FIG. 5

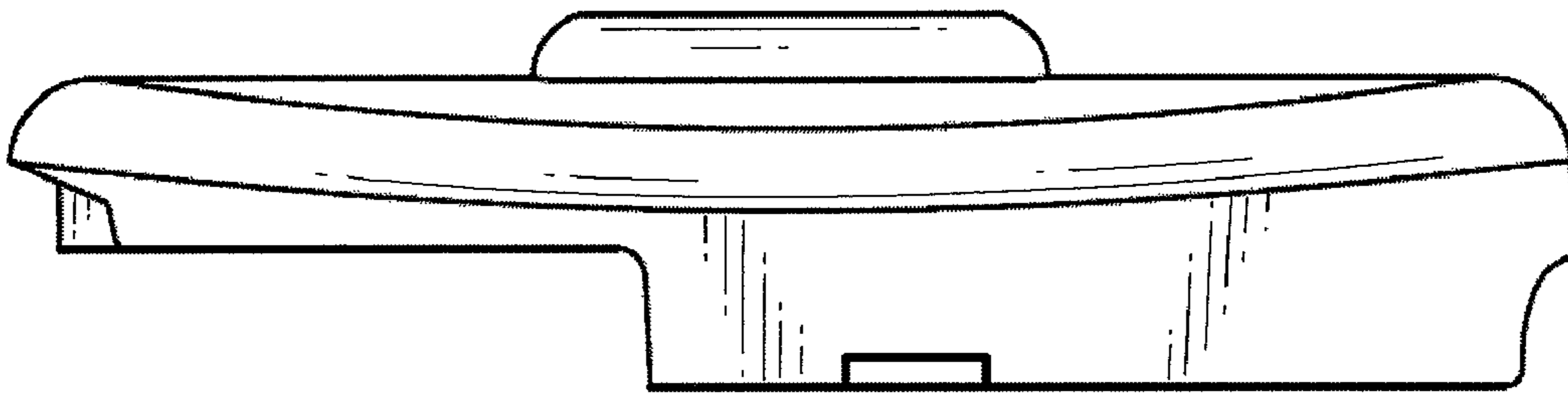


FIG. 6

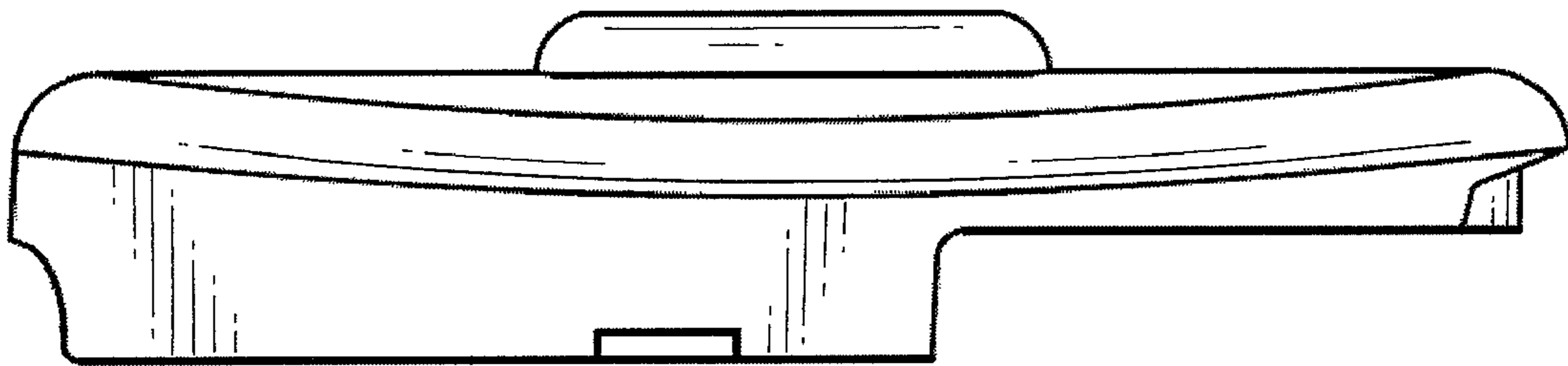
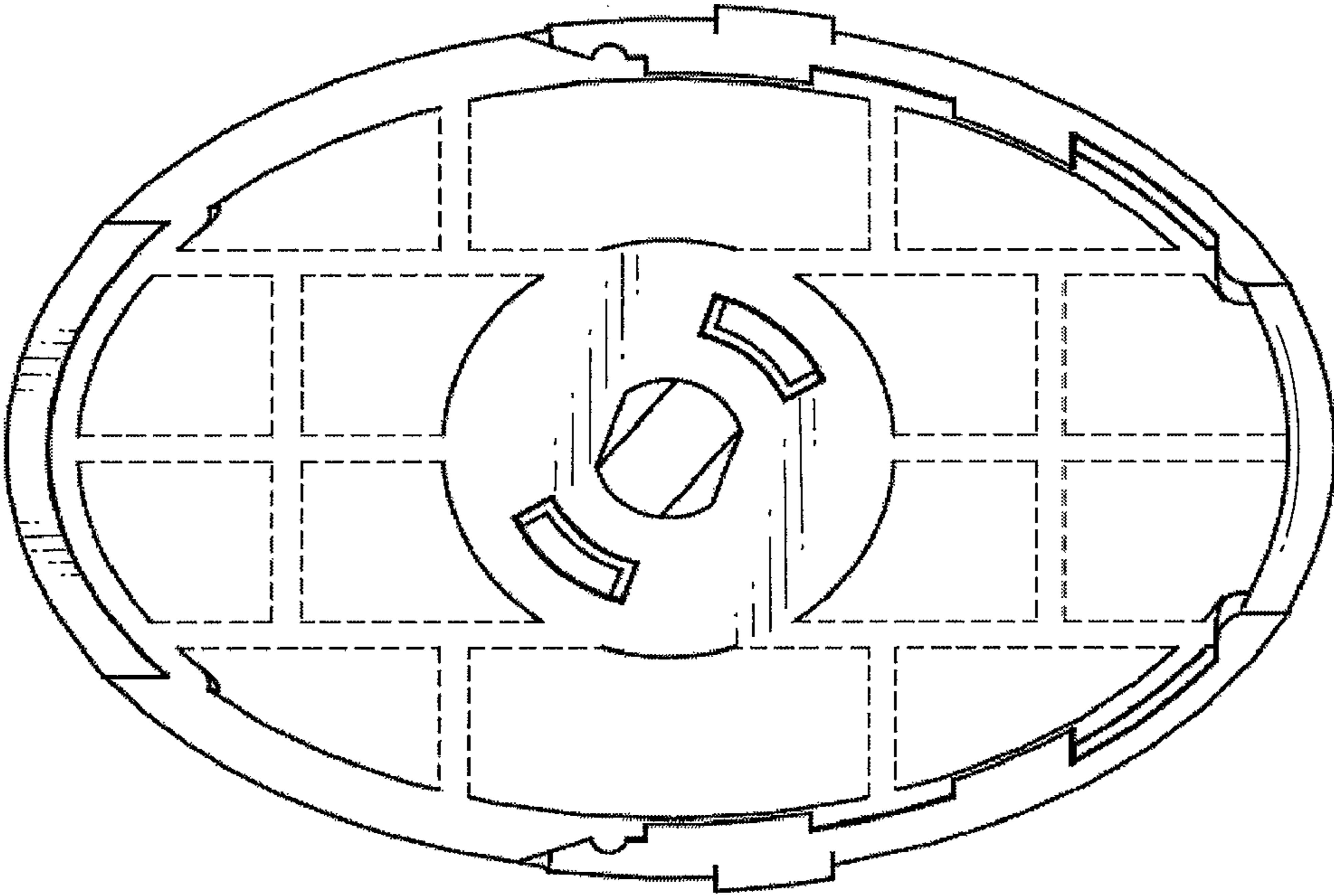


FIG. 7





**FIG. 8**