



US00D626580S

(12) **United States Design Patent**  
**Tzeng**

(10) **Patent No.:** **US D626,580 S**

(45) **Date of Patent:** **\*\* Nov. 2, 2010**

(54) **WEBCAM**

(75) Inventor: **Guan-Hua Tzeng**, Tu-Cheng (TW)

(73) Assignee: **Cheng UEI Precision Industry Co., Ltd.**, Tu-Cheng, Taipei Hsien (TW)

(\*\*) Term: **14 Years**

(21) Appl. No.: **29/351,027**

(22) Filed: **Nov. 28, 2009**

(51) **LOC (9) Cl.** ..... **16-01**

(52) **U.S. Cl.** ..... **D16/202**

(58) **Field of Classification Search** ..... D16/200,  
D16/202, 203, 204, 208, 218, 242; 348/373,  
348/375; 396/419, 427, 535

See application file for complete search history.

(56) **References Cited**

**U.S. PATENT DOCUMENTS**

D387,788 S *	12/1997	Jeong et al.	.....	D16/202
D394,274 S *	5/1998	Suzuki	.....	D16/202
D430,587 S *	9/2000	Summit	.....	D16/202
D433,432 S *	11/2000	Prather et al.	.....	D16/202
D442,202 S *	5/2001	Pfeifer et al.	.....	D16/202
D452,259 S *	12/2001	Choi	.....	D16/202
D455,165 S *	4/2002	Tsang et al.	.....	D16/202

D475,070 S *	5/2003	Ogura	.....	D16/202
D507,007 S *	7/2005	Sitoh et al.	.....	D16/202
7,719,610 B2 *	5/2010	Kung et al.	.....	348/373
2008/0239141 A1 *	10/2008	Yang	.....	348/373

\* cited by examiner

*Primary Examiner*—Adir Aronovich

(74) *Attorney, Agent, or Firm*—Cheng-Ju Chiang

(57) **CLAIM**

The ornamental design for a webcam, as shown and described.

**DESCRIPTION**

FIG. 1 is a front perspective view of a webcam showing my new design;

FIG. 2 is a front elevational view thereof;

FIG. 3 is a rear elevational view thereof;

FIG. 4 is a left side elevational view thereof;

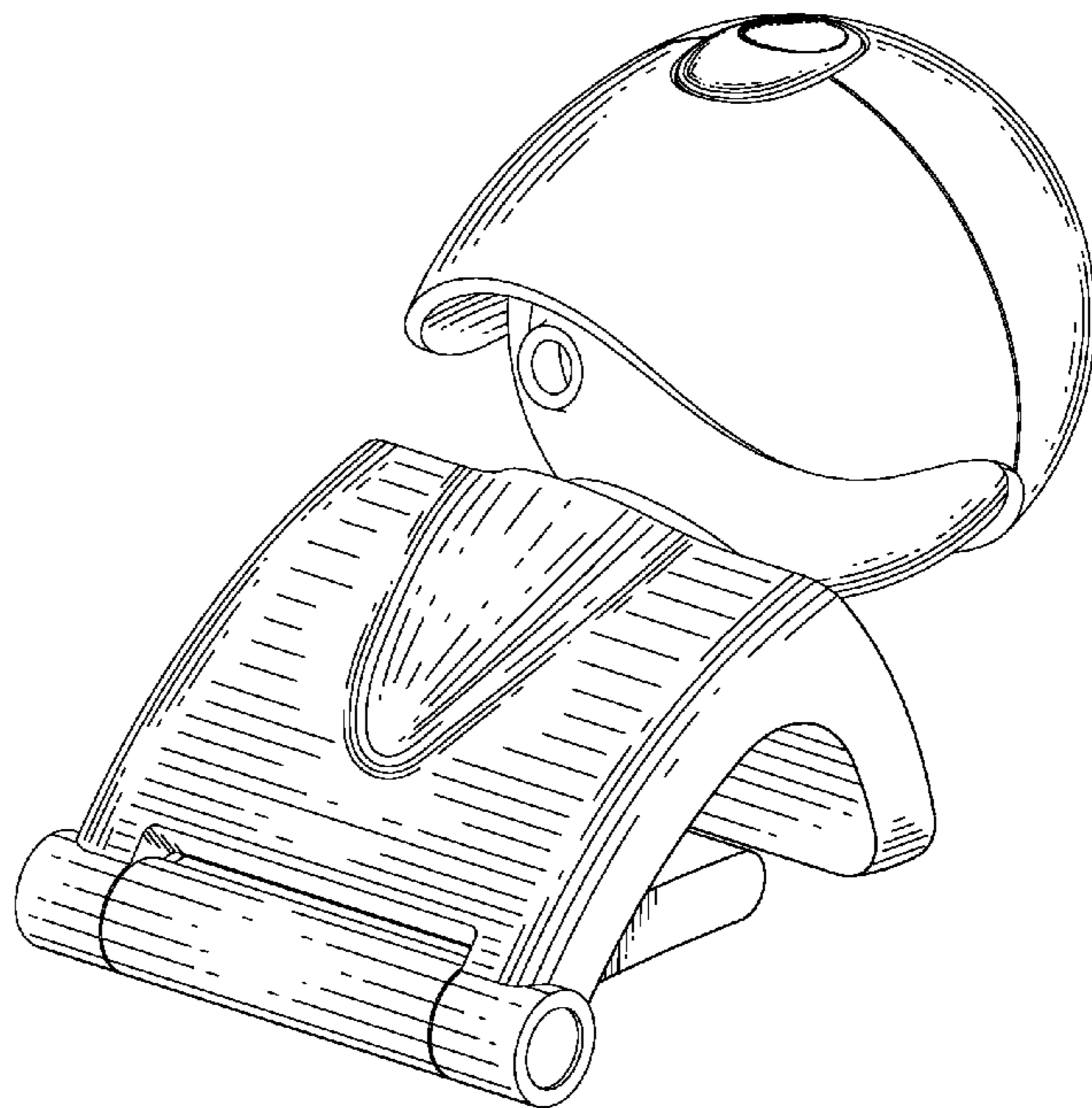
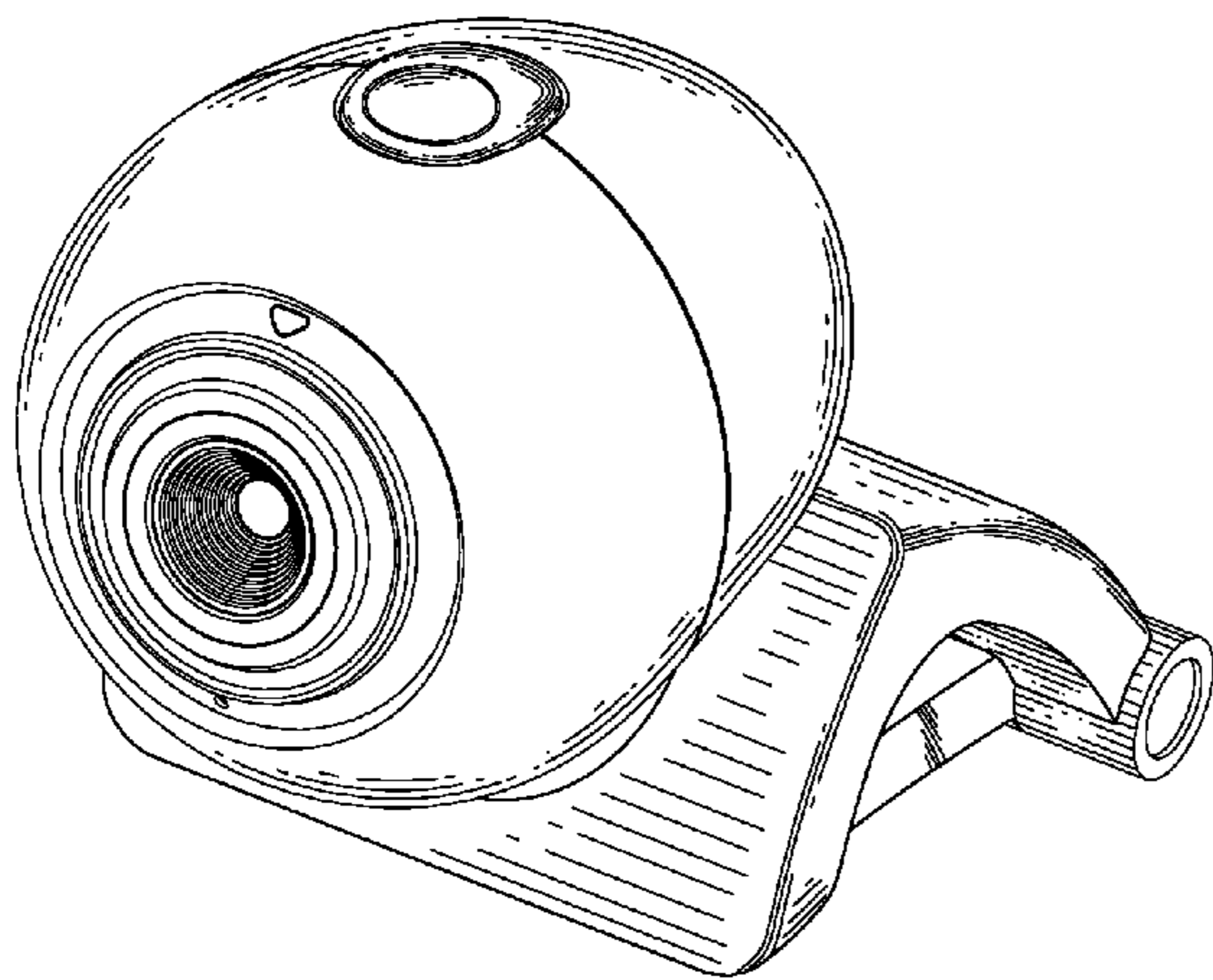
FIG. 5 is a right side elevational view thereof;

FIG. 6 is a top plan view thereof;

FIG. 7 is a bottom plan view thereof; and,

FIG. 8 is a rear perspective view of the webcam showing my new design.

**1 Claim, 8 Drawing Sheets**



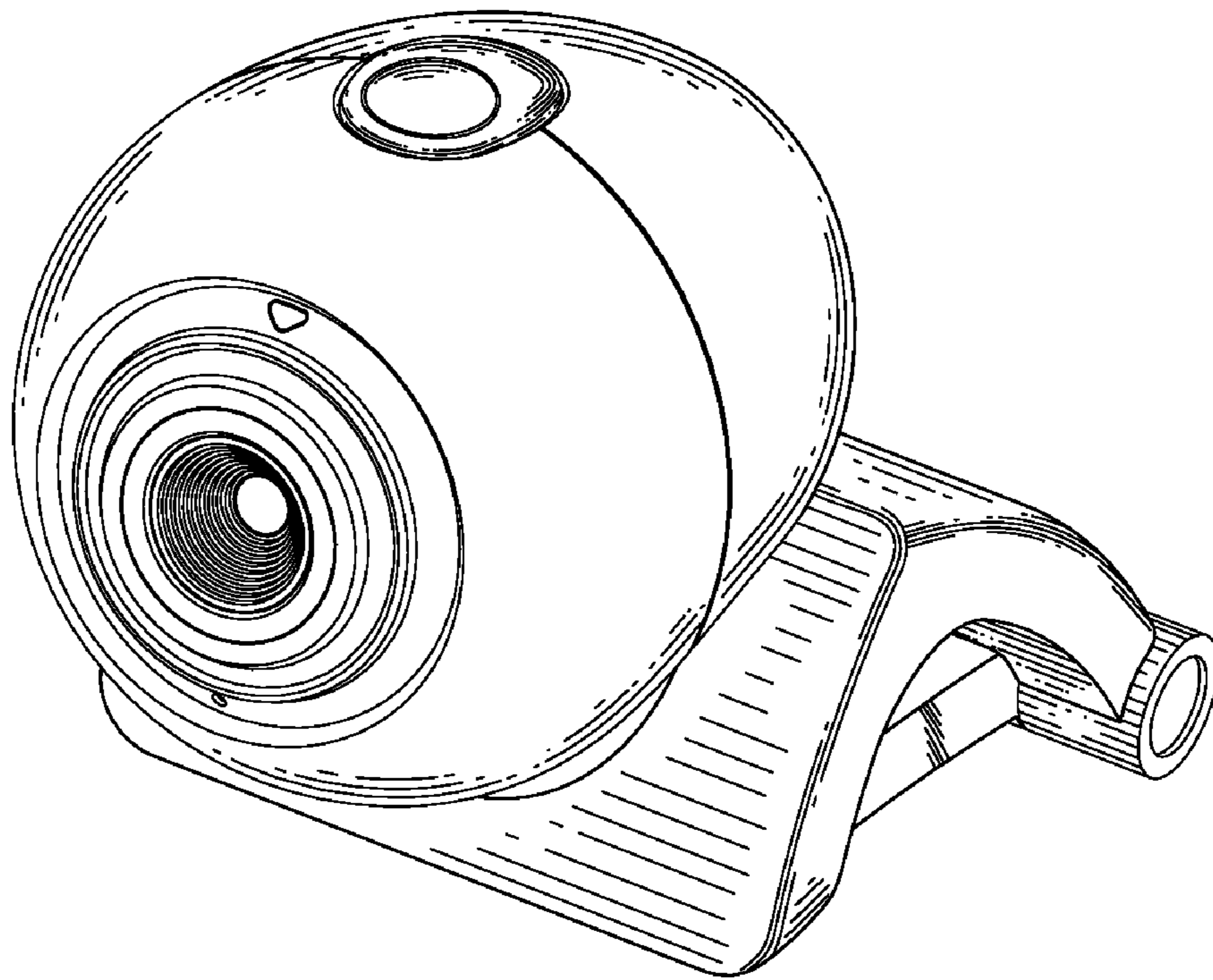


FIG. 1

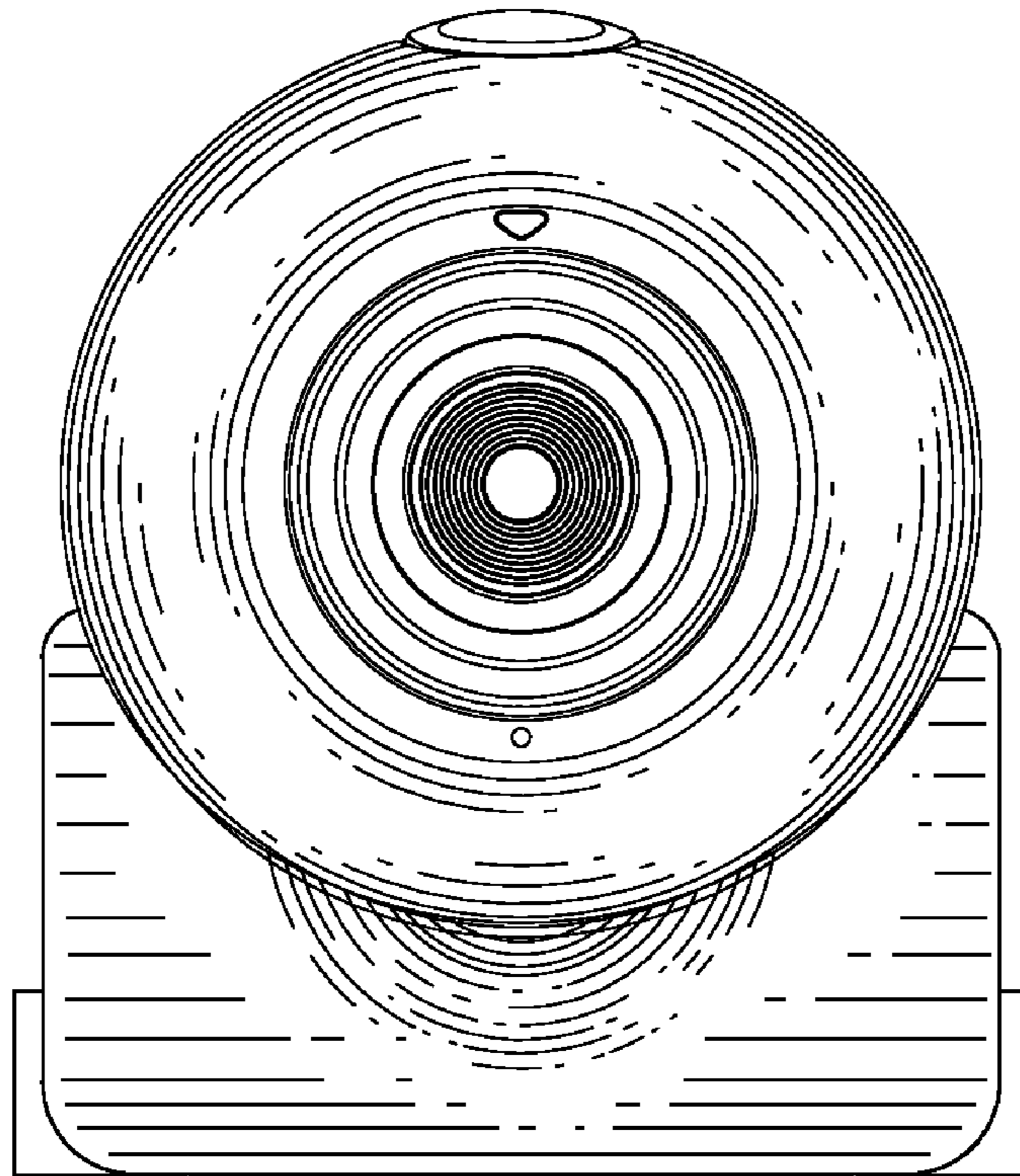


FIG. 2

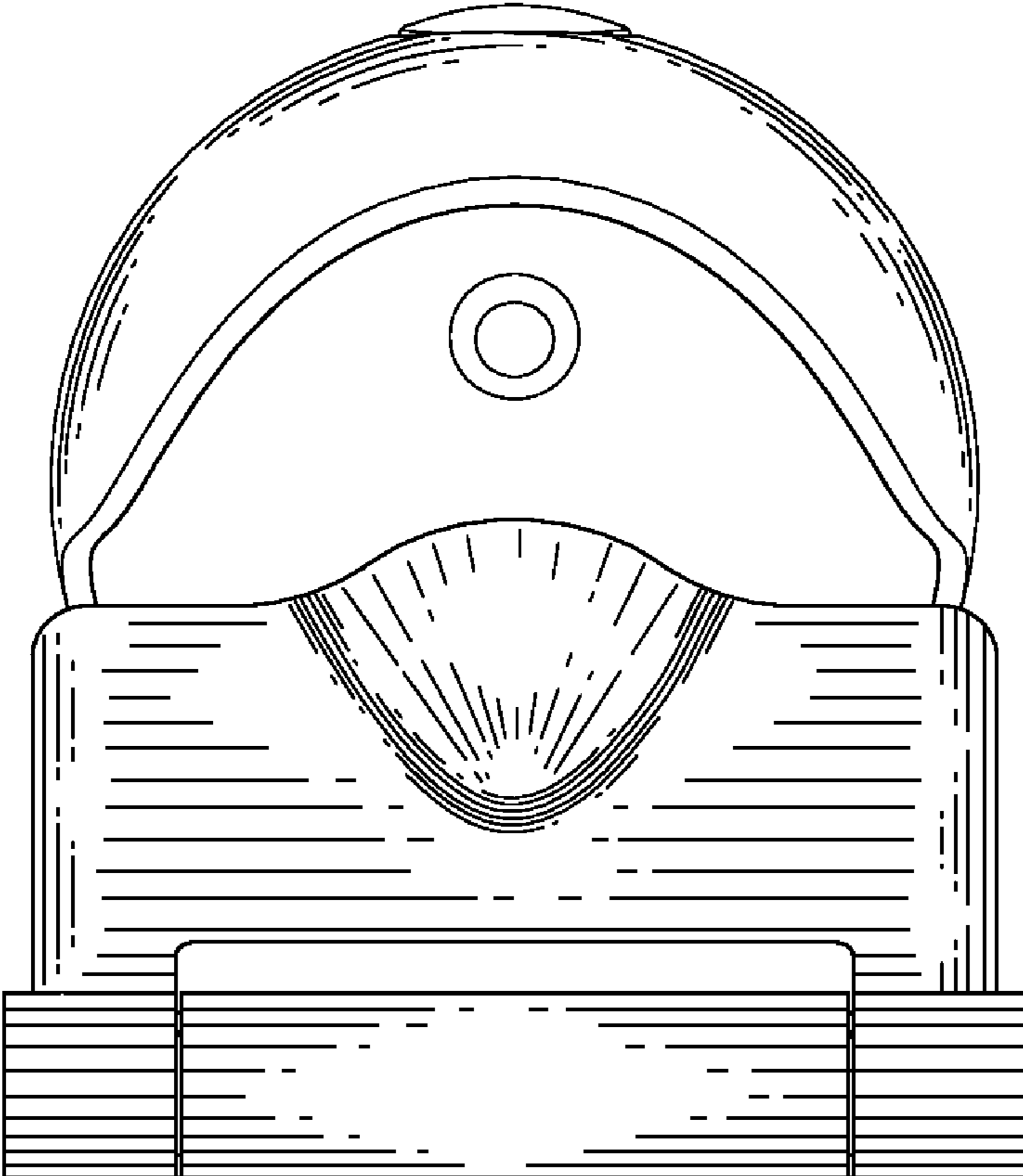


FIG. 3

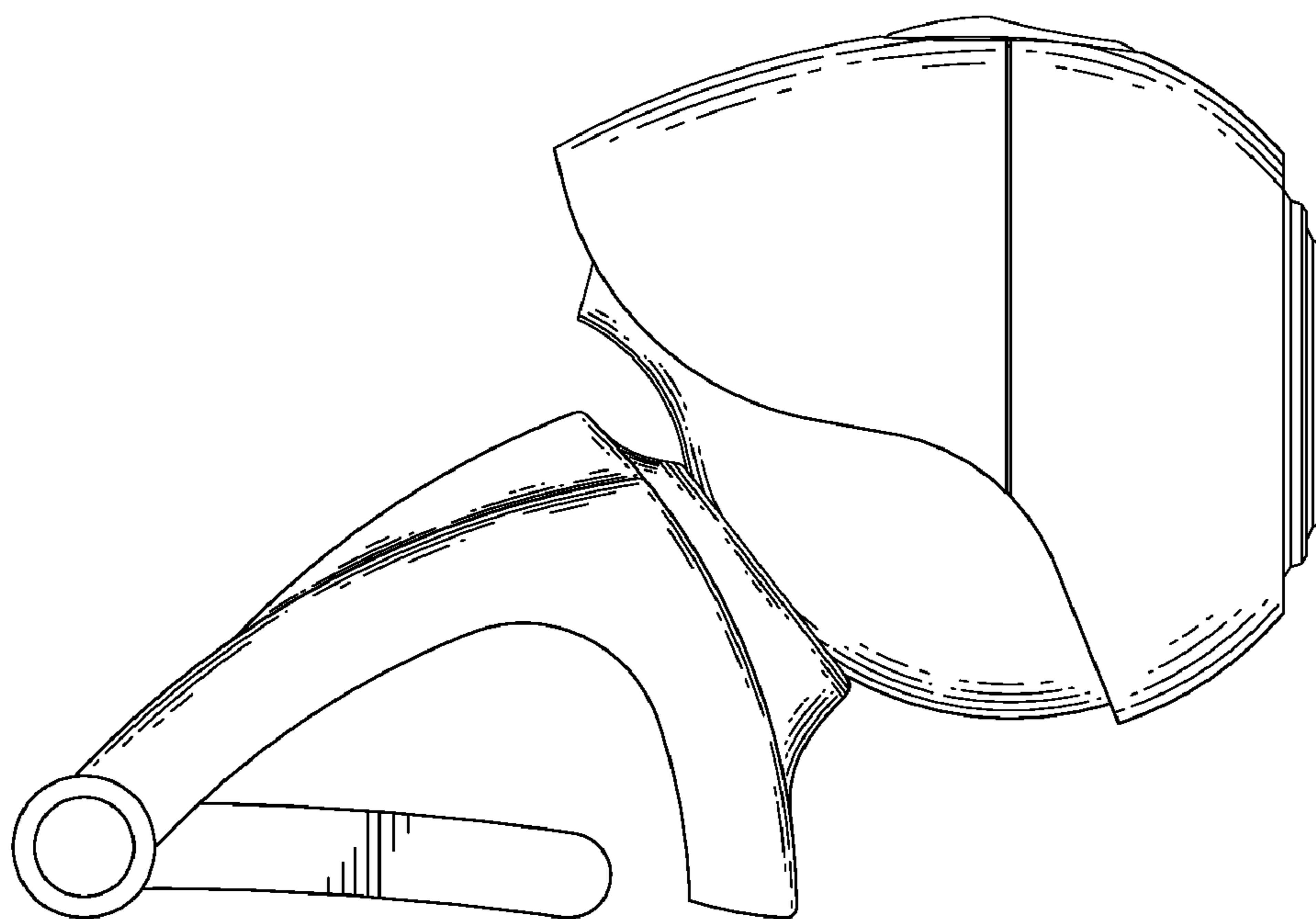


FIG. 4



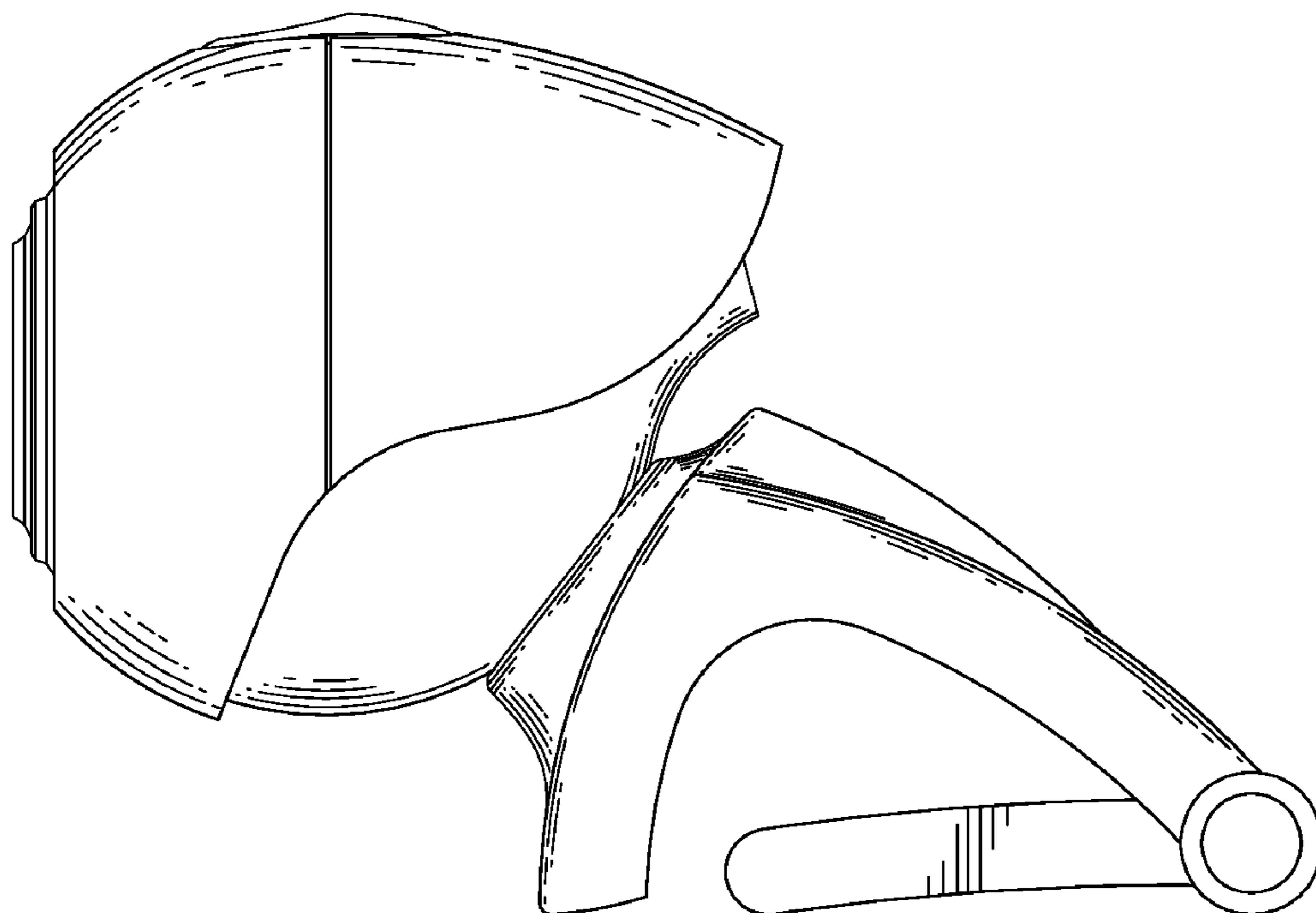


FIG. 5

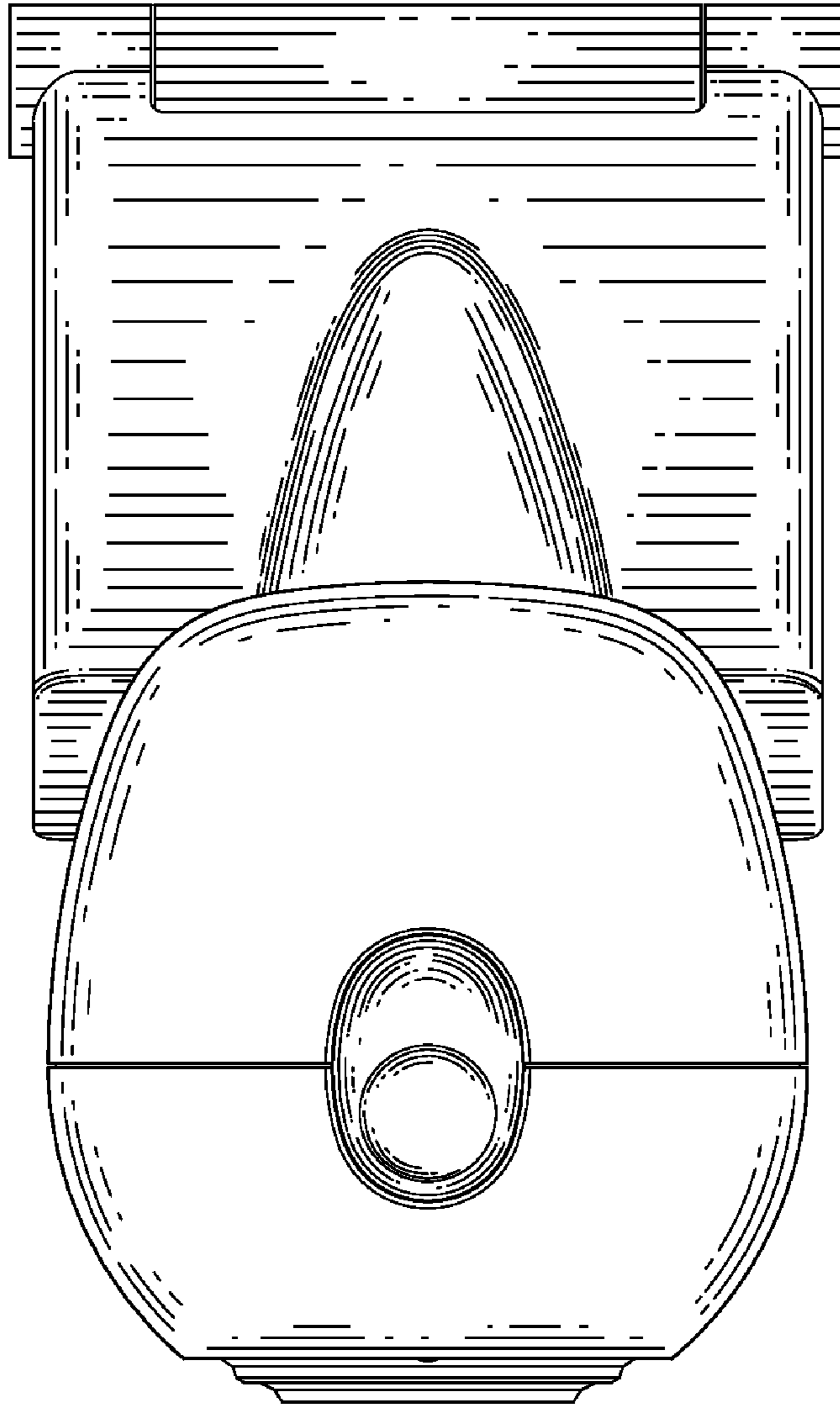


FIG. 6

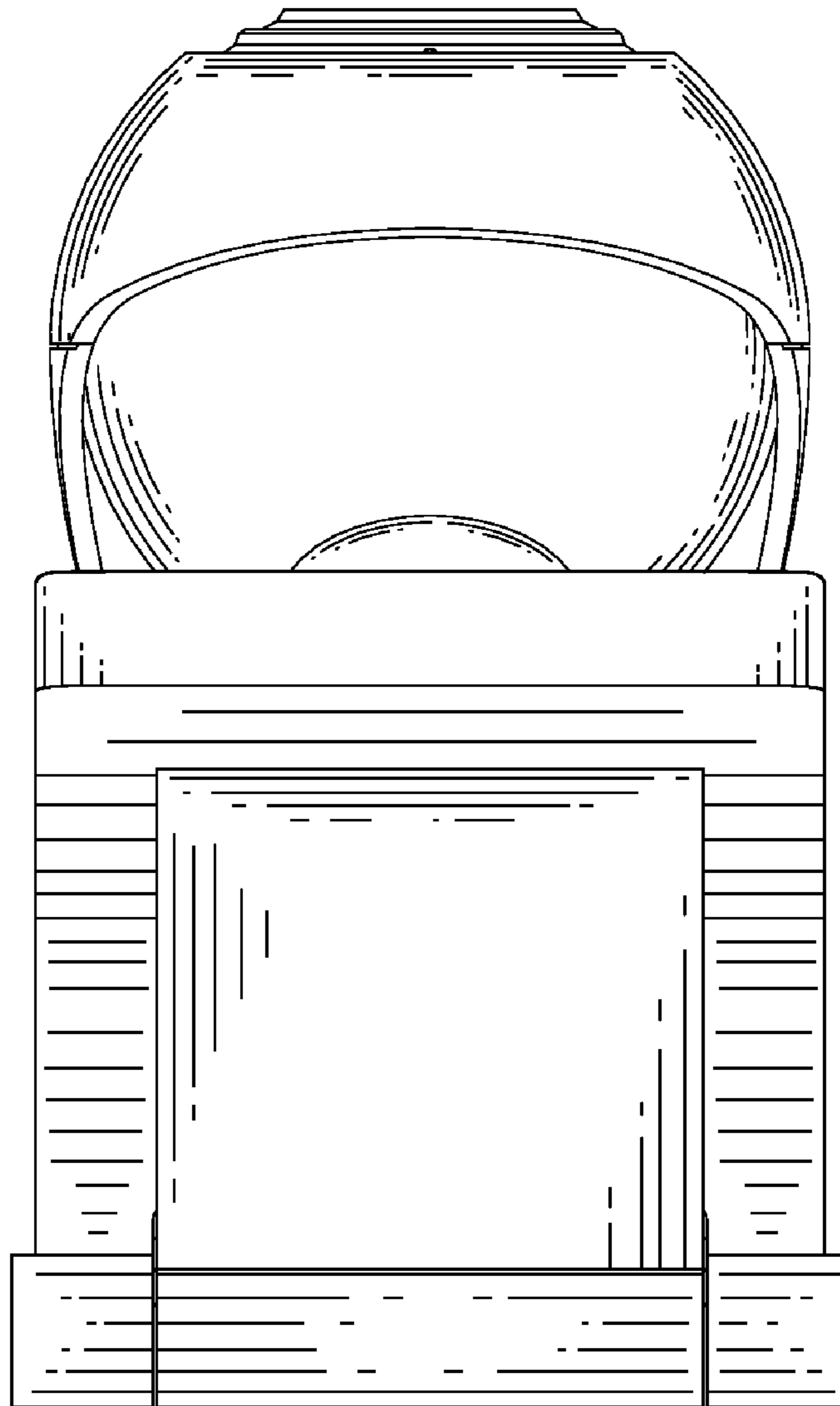


FIG. 7



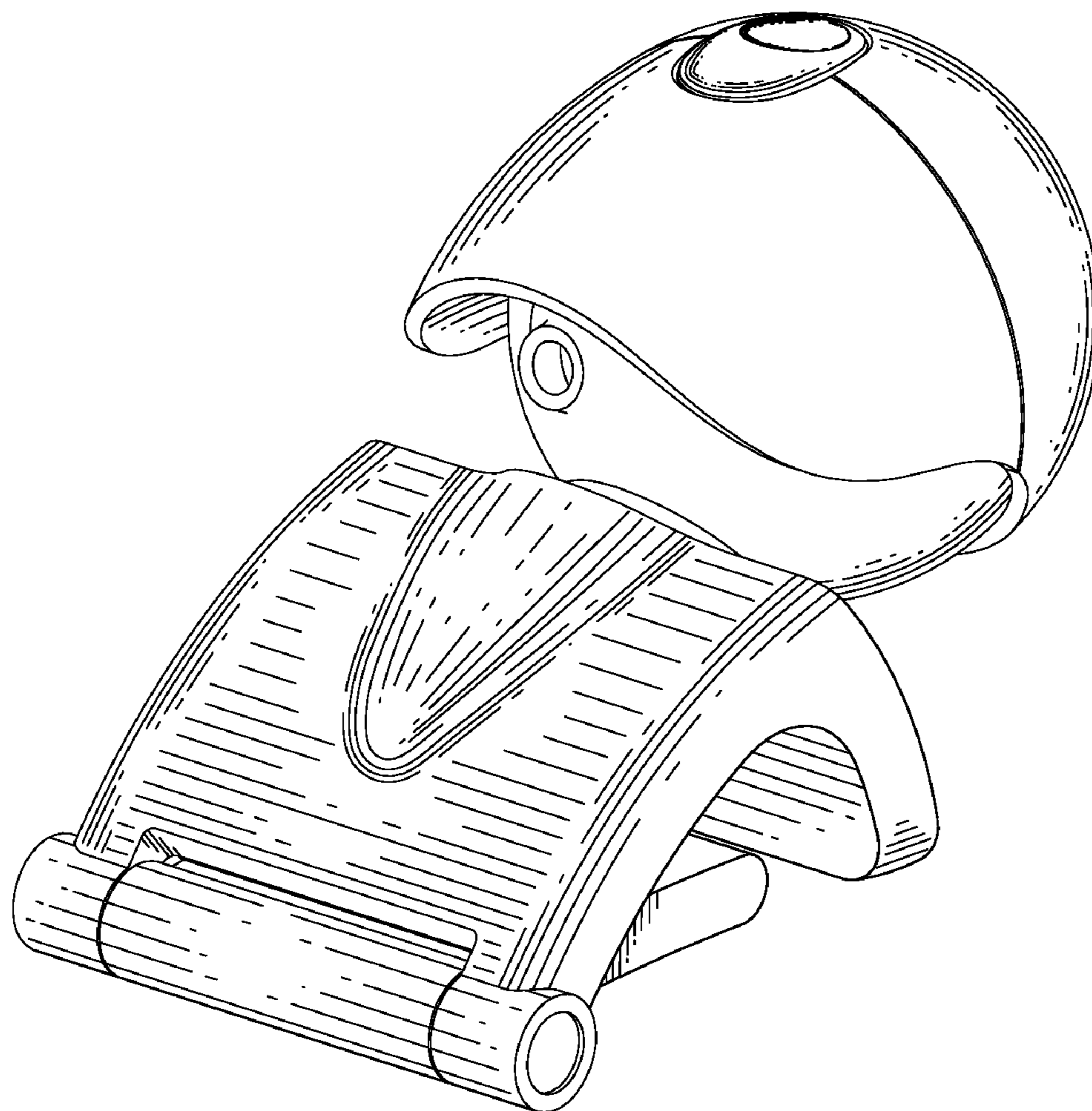


FIG. 8