

US00D626577S

(12) **United States Design Patent**
Carlson et al.

(10) **Patent No.:** **US D626,577 S**

(45) **Date of Patent:** **** Nov. 2, 2010**

(54) **TWO WHEELED ROBOT WITH ENHANCED CLIMBING FEATURES**

(75) Inventors: **Casey R. Carlson**, Independence, MN (US); **Andrew Drenner**, Bloomington, MN (US); **Alex J. Kossett**, Minneapolis, MN (US); **Ian T. Burt**, West St. Paul, MN (US)

(73) Assignee: **ReconRobotics Inc.**, Edina, MN (US)

(**) Term: **14 Years**

(21) Appl. No.: **29/351,692**

(22) Filed: **Dec. 9, 2009**

(51) **LOC (9) Cl.** **15-99**

(52) **U.S. Cl.** **D15/199**

(58) **Field of Classification Search** D15/199;
D21/578-583; 180/7.1, 8.1, 8.2, 8.5, 8.6,
180/8.7, 194, 195; 280/5.26, 5.28; 305/1,
305/4, 5; 318/568.11, 568.12; 446/308,
446/330, 353, 356, 457, 470; 464/54, 57,
464/61.1, 66.1, 77; 901/1, 45, 50

See application file for complete search history.

(56) **References Cited**

U.S. PATENT DOCUMENTS

2,818,301	A *	12/1957	Hayden	301/46
4,061,199	A *	12/1977	Last	180/8.2
D338,474	S *	8/1993	Christensen	D15/124
5,487,692	A *	1/1996	Mowrer et al.	446/465
6,502,657	B2	1/2003	Kerrebrock et al.		
6,507,657	B1	1/2003	Kamada et al.		
6,548,982	B1	4/2003	Papanikolopoulos et al.		
6,824,508	B2 *	11/2004	Kim et al.	600/101
6,860,346	B2 *	3/2005	Burt et al.	180/8.2
D540,503	S *	4/2007	Tsang	D34/28
7,249,640	B2 *	7/2007	Horchler et al.	180/8.6
D584,366	S *	1/2009	Bowen et al.	D21/563

7,559,385	B1 *	7/2009	Burt et al.	180/65.1
2003/0038607	A1 *	2/2003	Yim et al.	318/568.11
2003/0092964	A1 *	5/2003	Kim et al.	600/101
2008/0143065	A1 *	6/2008	DeFazio et al.	280/5.28
2009/0099709	A1 *	4/2009	Troy	701/1
2010/0116572	A1 *	5/2010	Schmitt et al.	180/65.51

OTHER PUBLICATIONS

File history for U.S. Appl. No. 12/634,610, filed Dec. 9, 2009. Inventors: Casey R. Carlson et al.

Admitted Prior Art reference, Dec. 1, 2008.

* cited by examiner

Primary Examiner—Patricia Palasik

(74) *Attorney, Agent, or Firm*—Patterson Thuent Christensen Pedersen, P.A.

(57) **CLAIM**

We claim the ornamental design for a two wheeled robot with enhanced climbing features, as shown.

DESCRIPTION

FIG. 1 is perspective view of a two wheeled robot with enhanced climbing features.

FIG. 2 is side view of the two wheeled robot with enhanced climbing features depicted in FIG. 1.

FIG. 3 is a rear view of the two wheeled robot with enhanced climbing features depicted in FIG. 1.

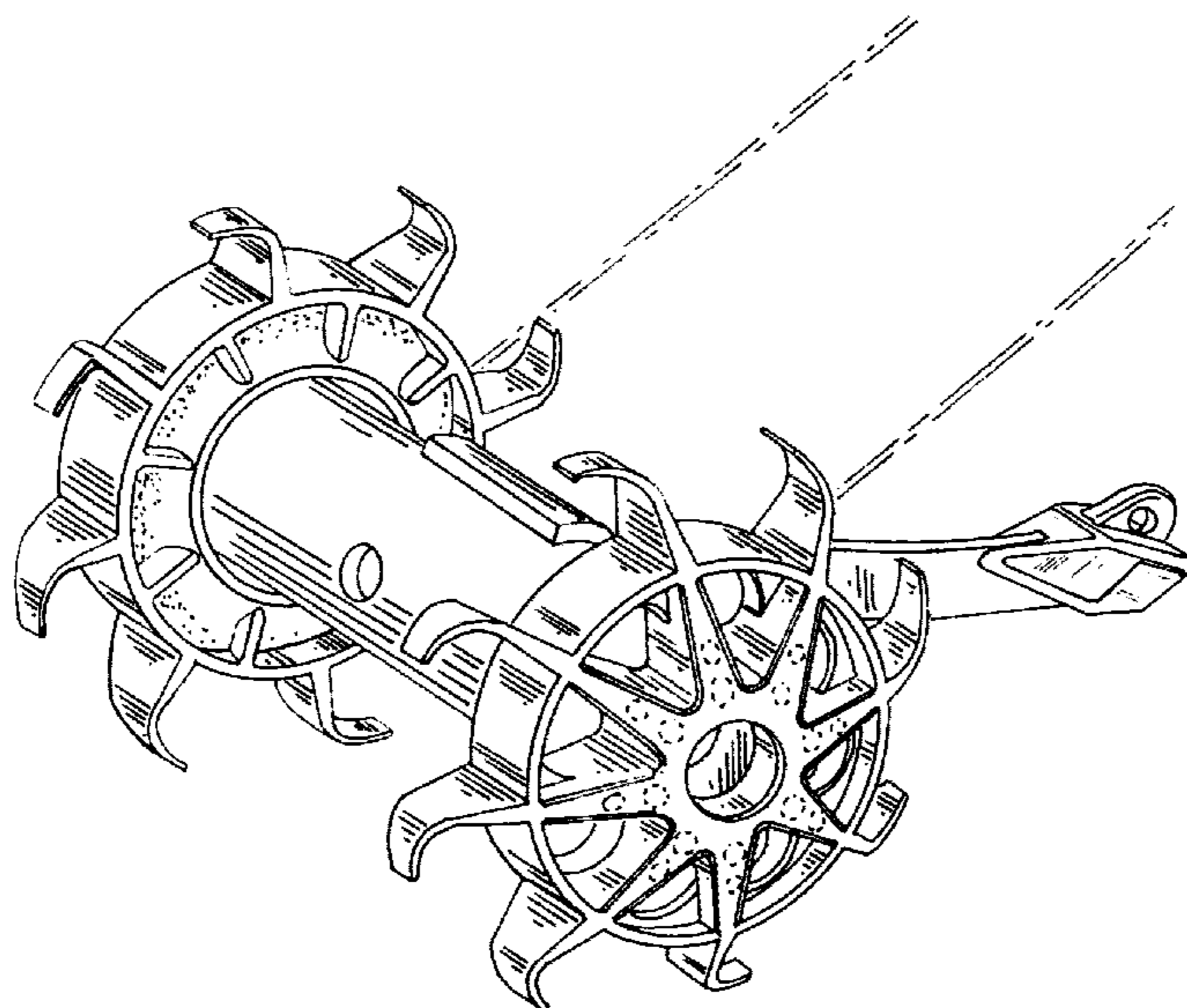
FIG. 4 is a front view of the two wheeled robot with enhanced climbing features depicted in FIG. 1.

FIG. 5 is a bottom view of the two wheeled robot with enhanced climbing features depicted in FIG. 1; and,

FIG. 6 is a top view of the two wheeled robot with enhanced climbing features depicted in FIG. 1.

The broken lines in the drawings depict unclaimed environmental subject matter.

1 Claim, 4 Drawing Sheets



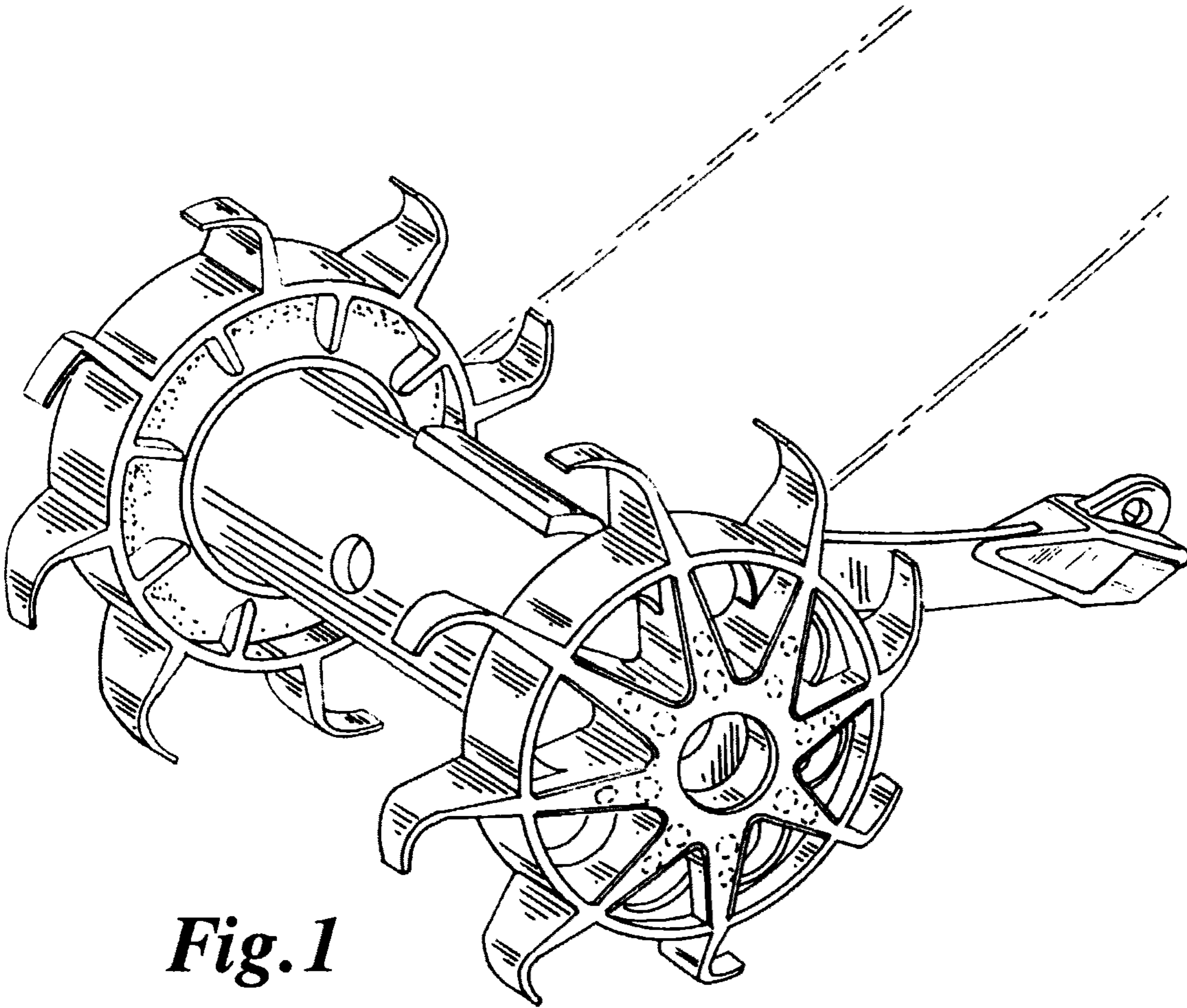


Fig. 1

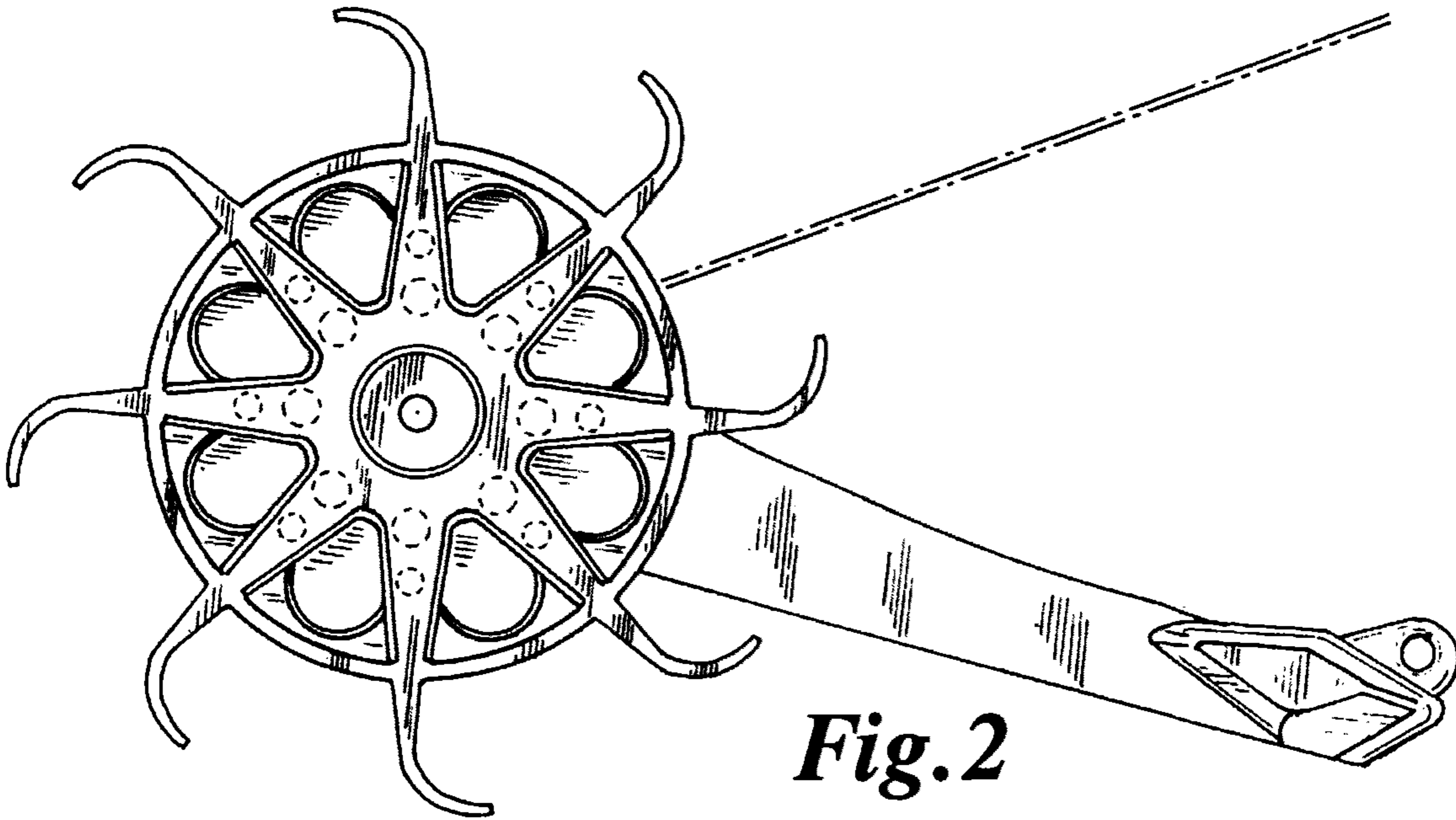


Fig. 2

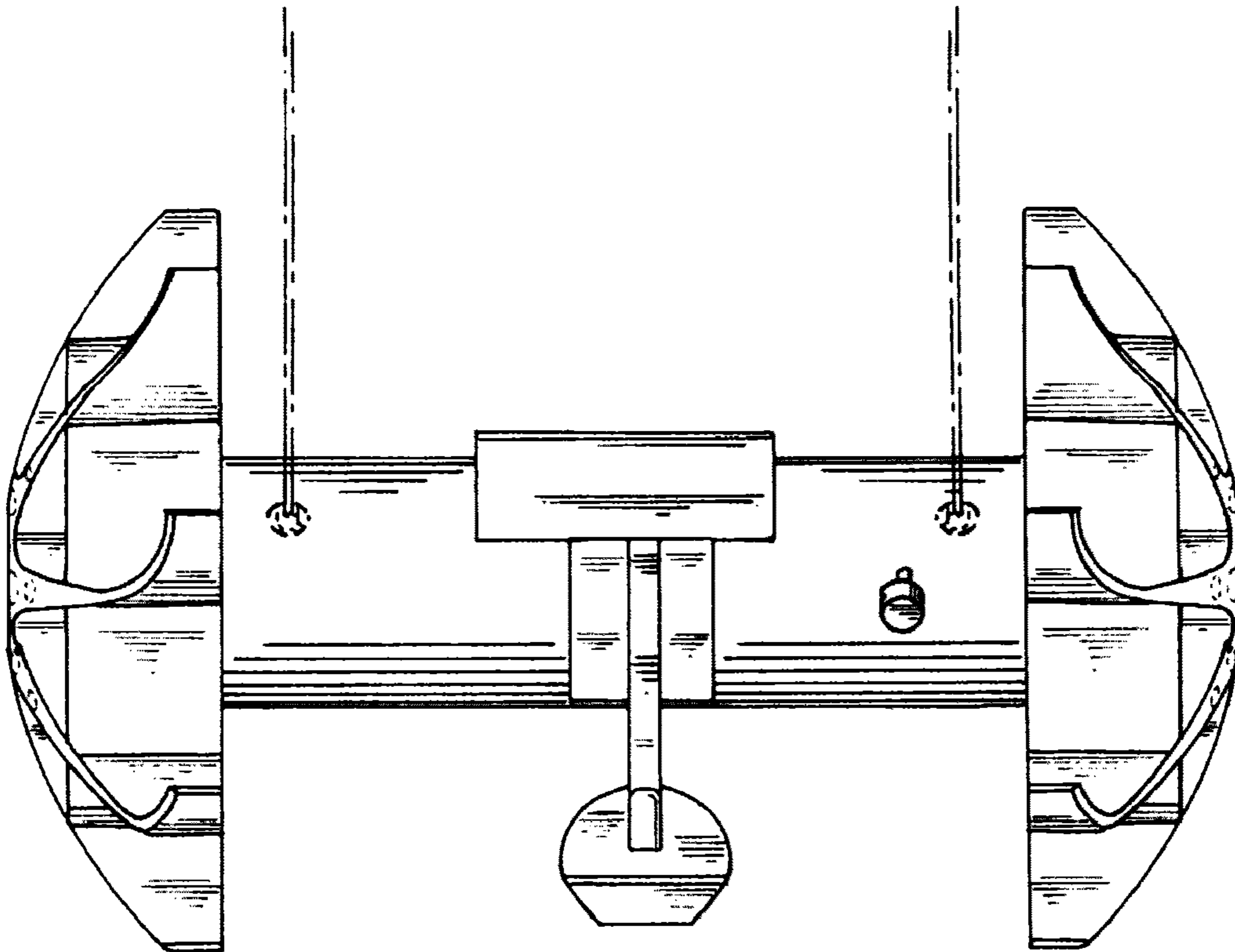


Fig. 3

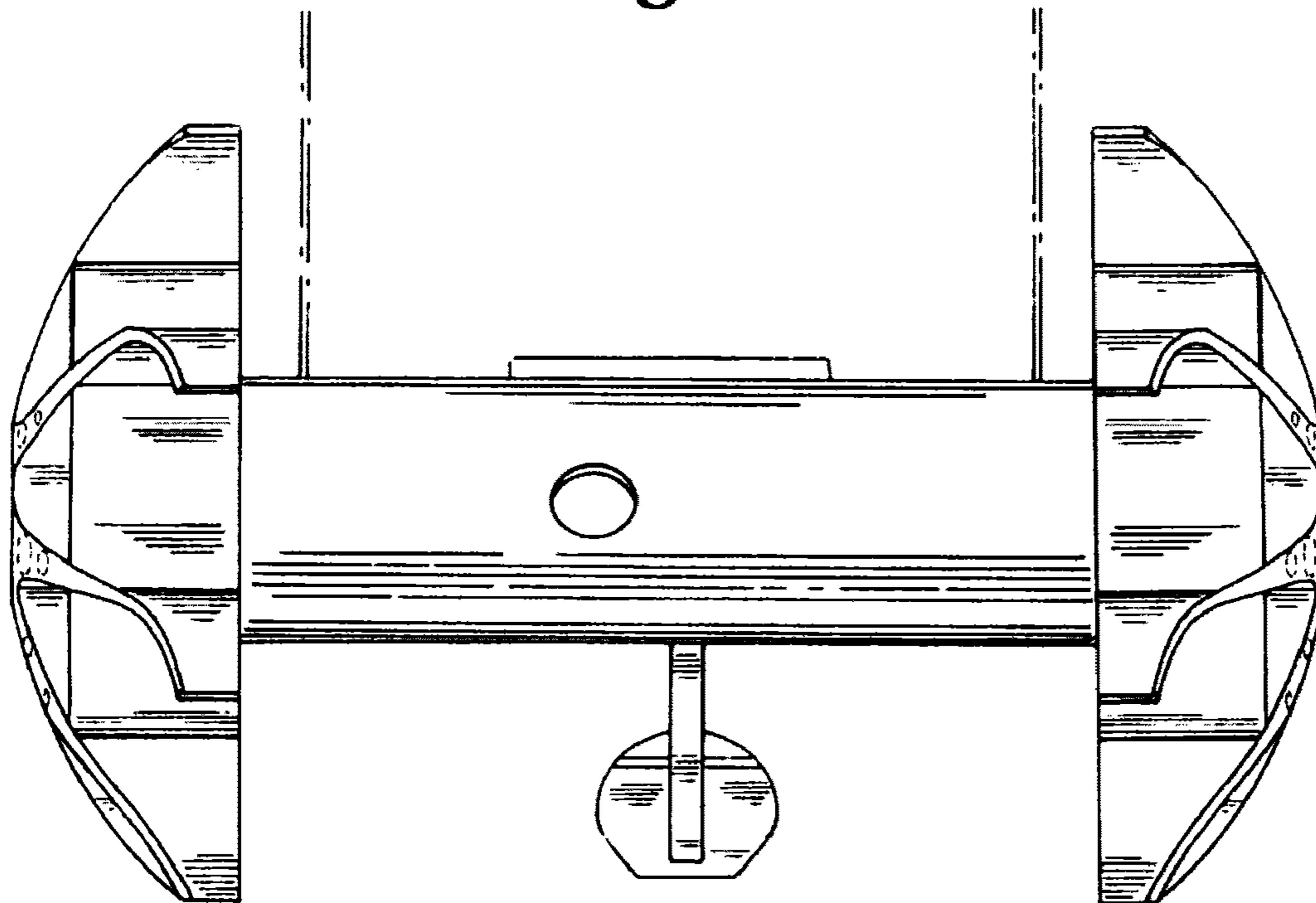


Fig. 4

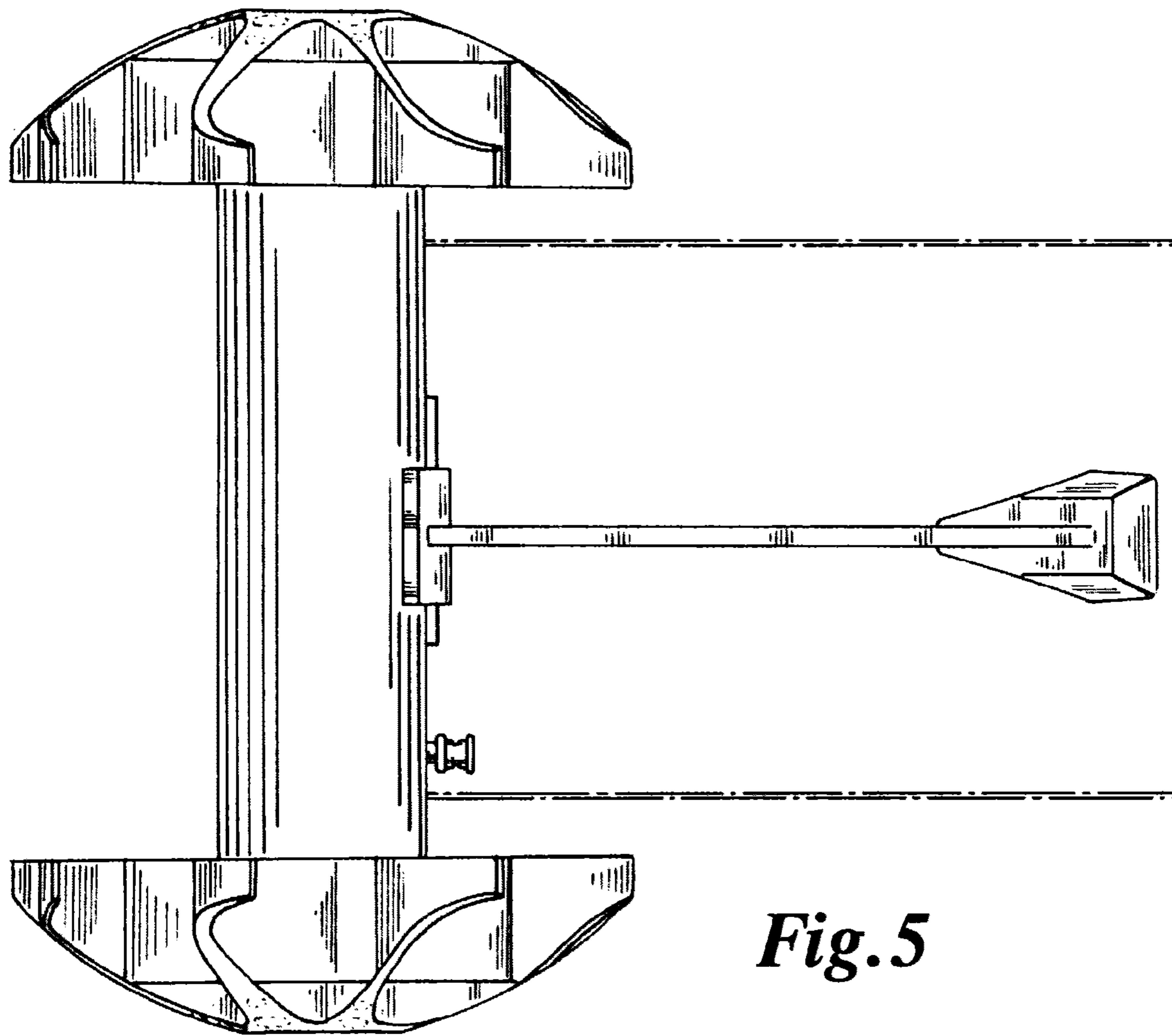


Fig. 5

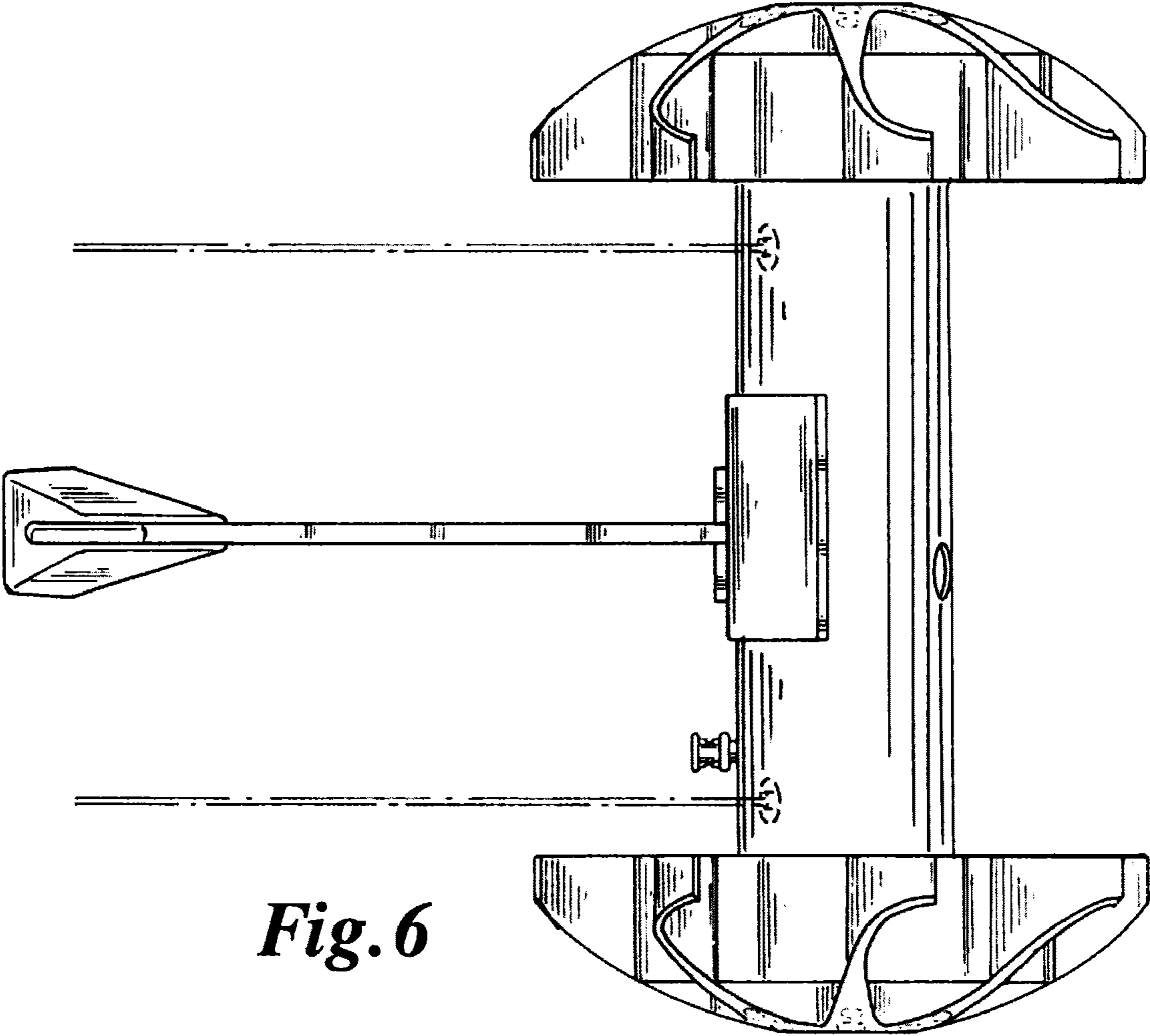


Fig. 6