



US00D626572S

(12) **United States Design Patent**
Moriguchi et al.

(10) **Patent No.:** **US D626,572 S**

(45) **Date of Patent:** **** Nov. 2, 2010**

(54) **LAWN MOWER**

(75) Inventors: **Kazuma Moriguchi**, Osaka (JP);
Tomoyuki Ebihara, Osaka (JP)

(73) Assignee: **Yanmar Co., Ltd.**, Osaka (JP)

(**) Term: **14 Years**

(21) Appl. No.: **29/356,023**

(22) Filed: **Feb. 18, 2010**

(51) **LOC (9) Cl.** **15-03**

(52) **U.S. Cl.** **D15/15**

(58) **Field of Classification Search** D15/10,
D15/14, 15, 22-26, 33; 180/69.2, 89.1, 89.12,
180/900, 273; 56/12.7, 15.8, 16.7, 13.3,
56/10.1, 202, 320.1, 320.2, 15.9, 255, 294
See application file for complete search history.

(56) **References Cited**

U.S. PATENT DOCUMENTS

D359,740	S	*	6/1995	Crosby et al.	D15/15
D363,940	S	*	11/1995	Hinklin	D15/15
5,816,033	A	*	10/1998	Busboom et al.	56/10.8
D409,208	S	*	5/1999	Eavenson et al.	D15/15
D450,330	S	*	11/2001	Kato et al.	D15/15

D486,160	S	*	2/2004	Higashikawa et al.	D15/15
D495,718	S	*	9/2004	Higashikawa	D15/15
D512,444	S	*	12/2005	Ayers et al.	D15/15
D560,690	S	*	1/2008	Higashikawa	D15/10

* cited by examiner

Primary Examiner—Mark A Goodwin

(74) *Attorney, Agent, or Firm*—Birch, Stewart, Kolasch & Birch, LLP

(57) **CLAIM**

The ornamental design for a lawn mower, as shown and described.

DESCRIPTION

FIG. 1 is a right, front perspective view of a lawn mower showing our new design;

FIG. 2 is a front elevational view thereof;

FIG. 3 is a back elevational view thereof;

FIG. 4 is a top plan view thereof;

FIG. 5 is a bottom plan view thereof;

FIG. 6 is a left side view thereof; and,

FIG. 7 is a right side view thereof.

1 Claim, 7 Drawing Sheets

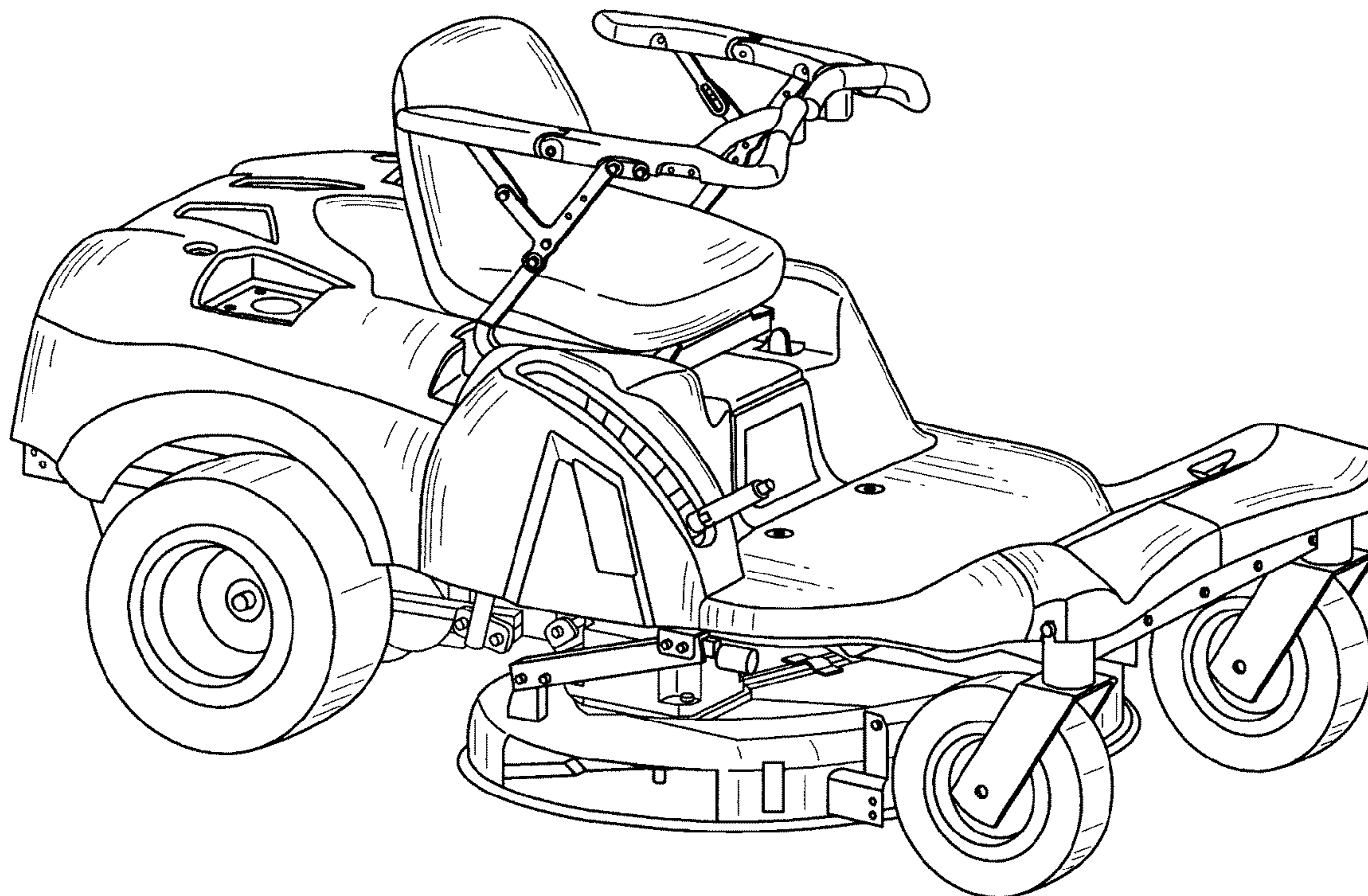


FIG. 1

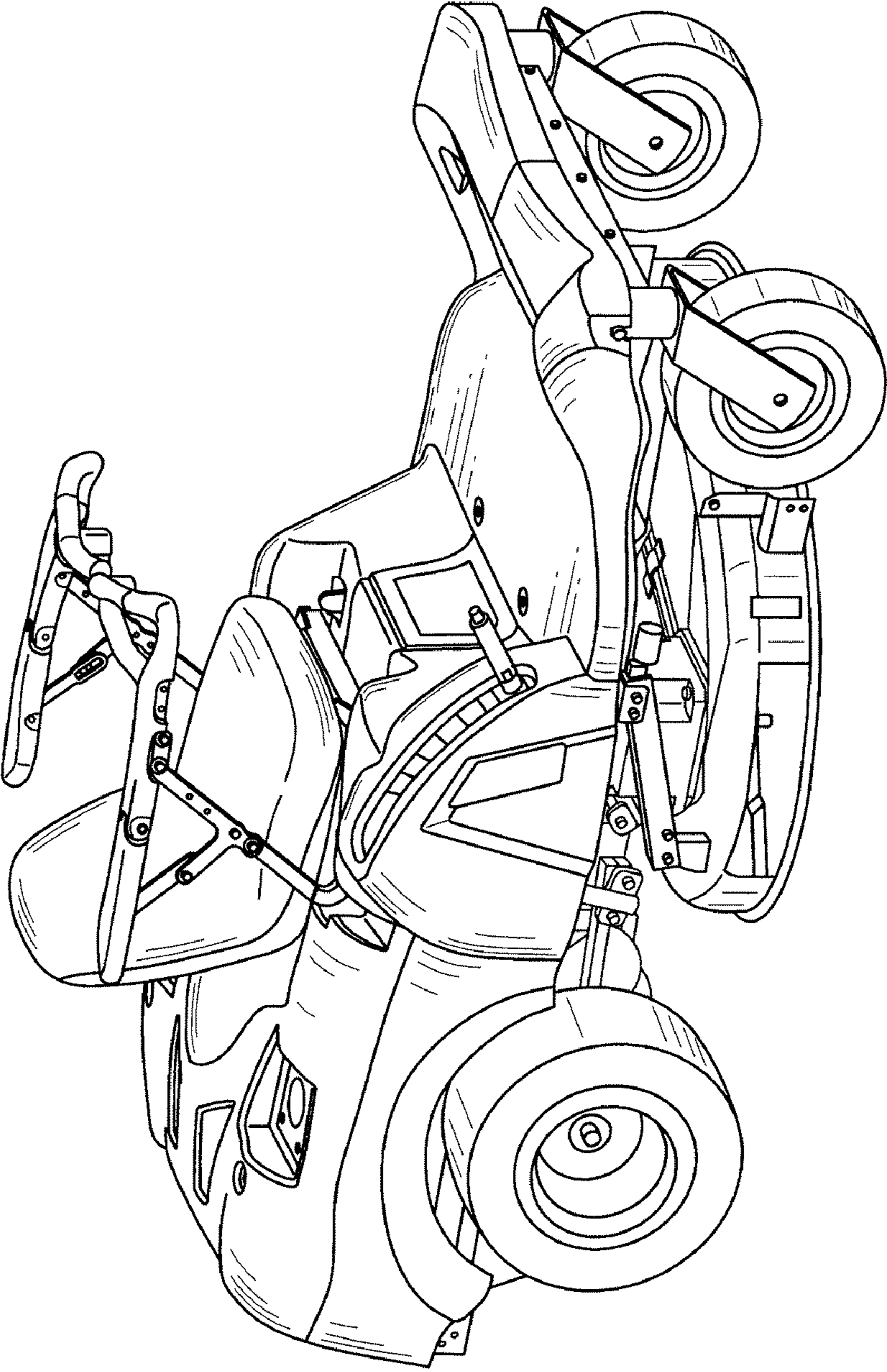


FIG. 2

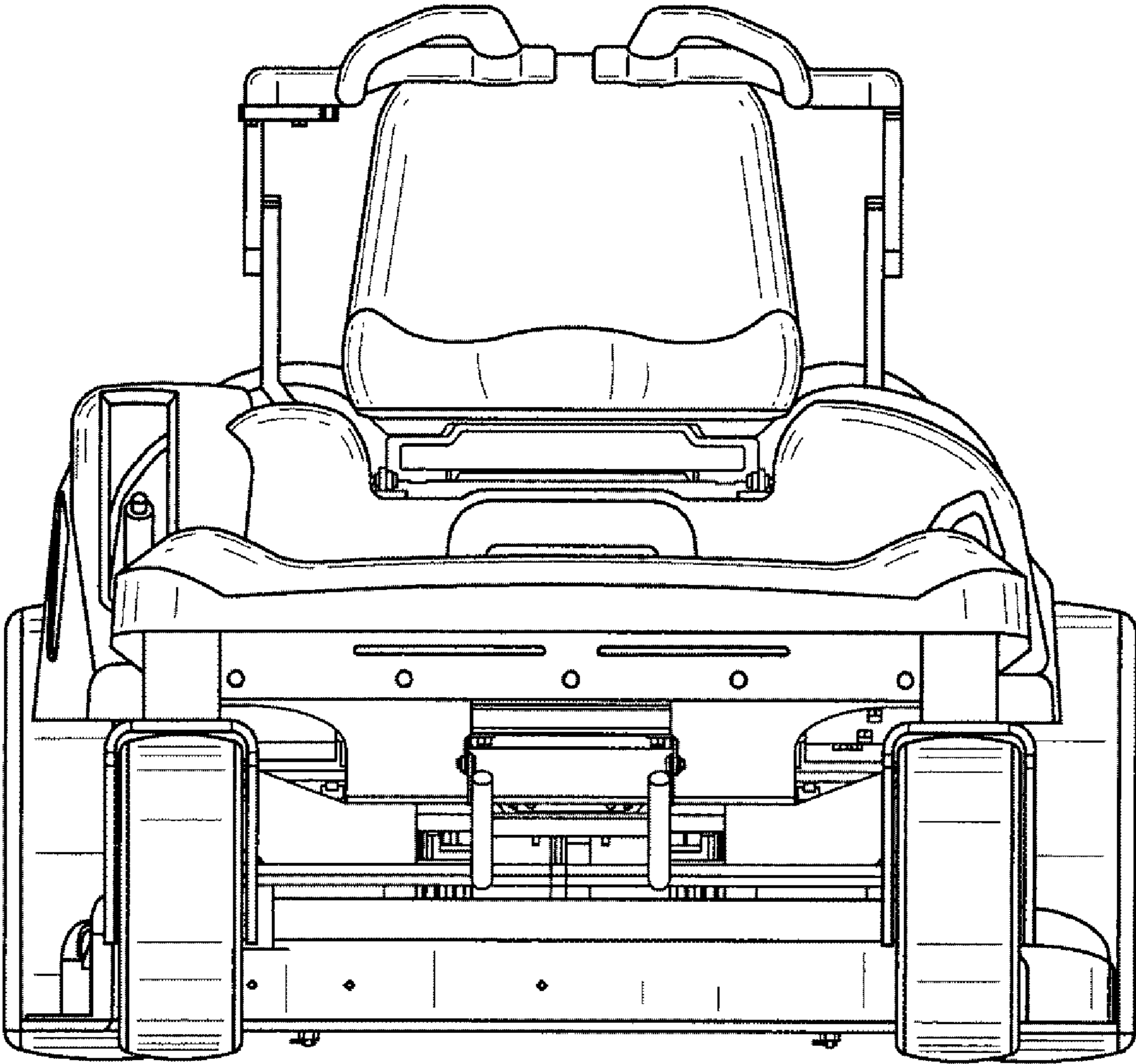


FIG. 3

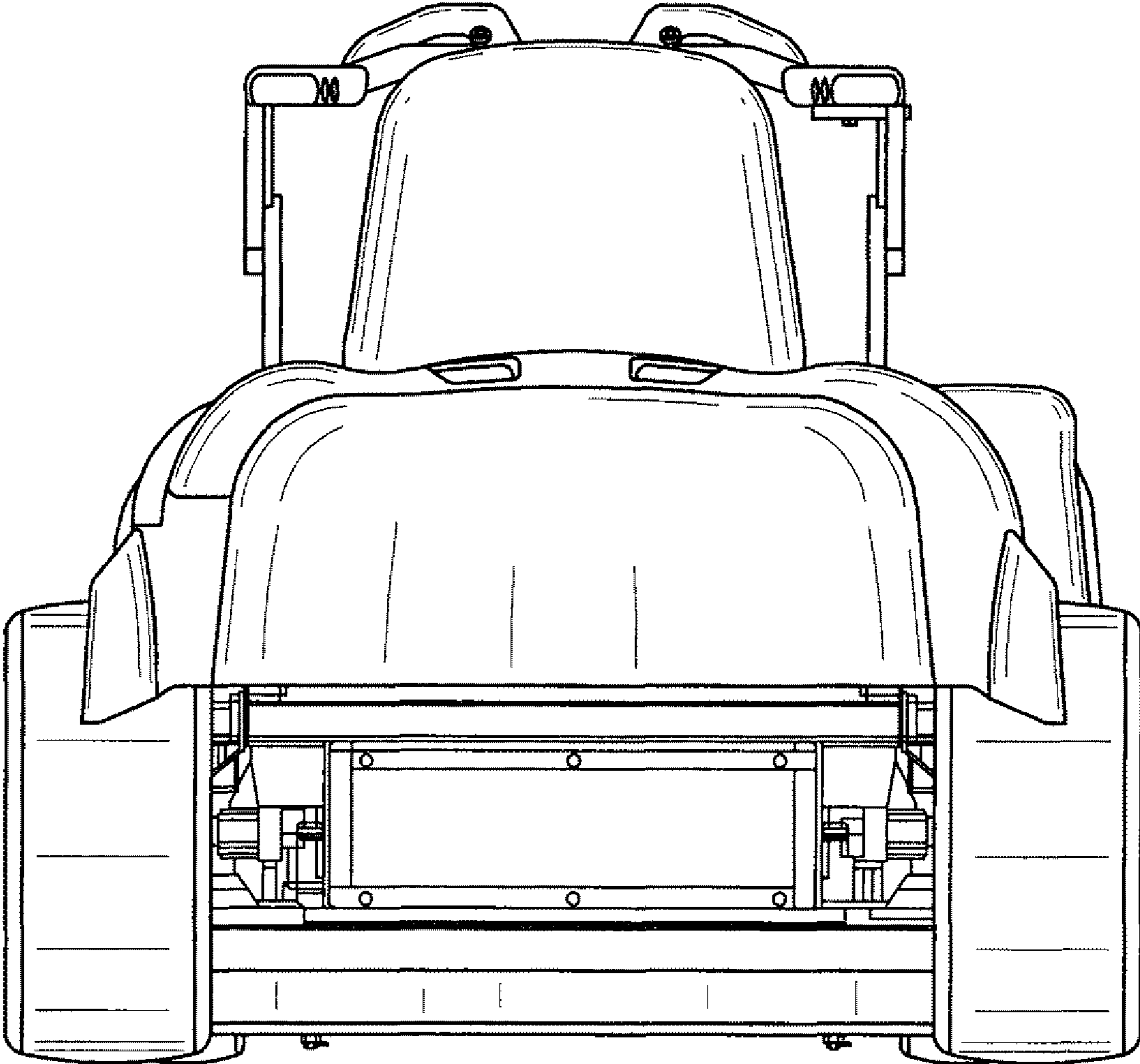


FIG. 4

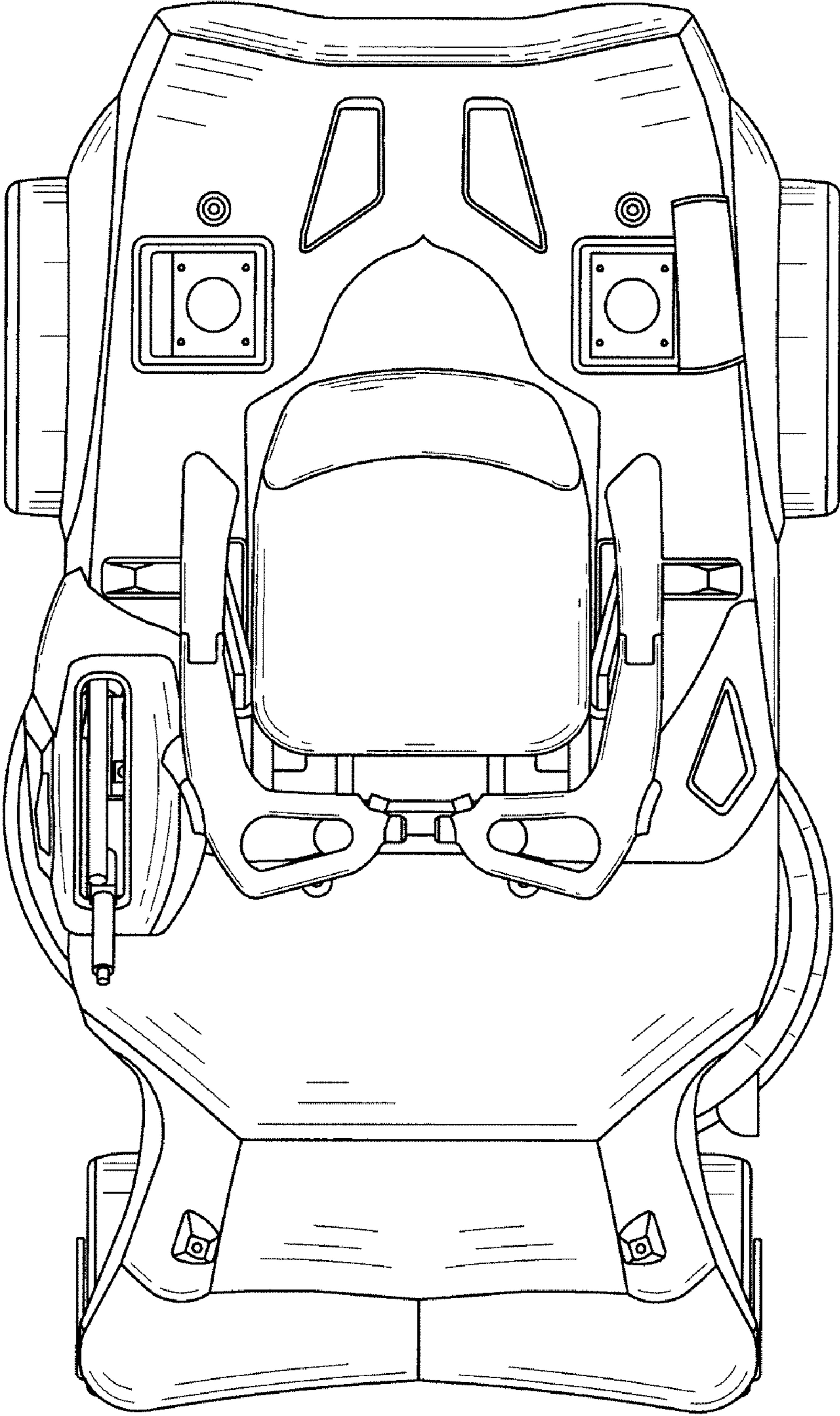


FIG. 5

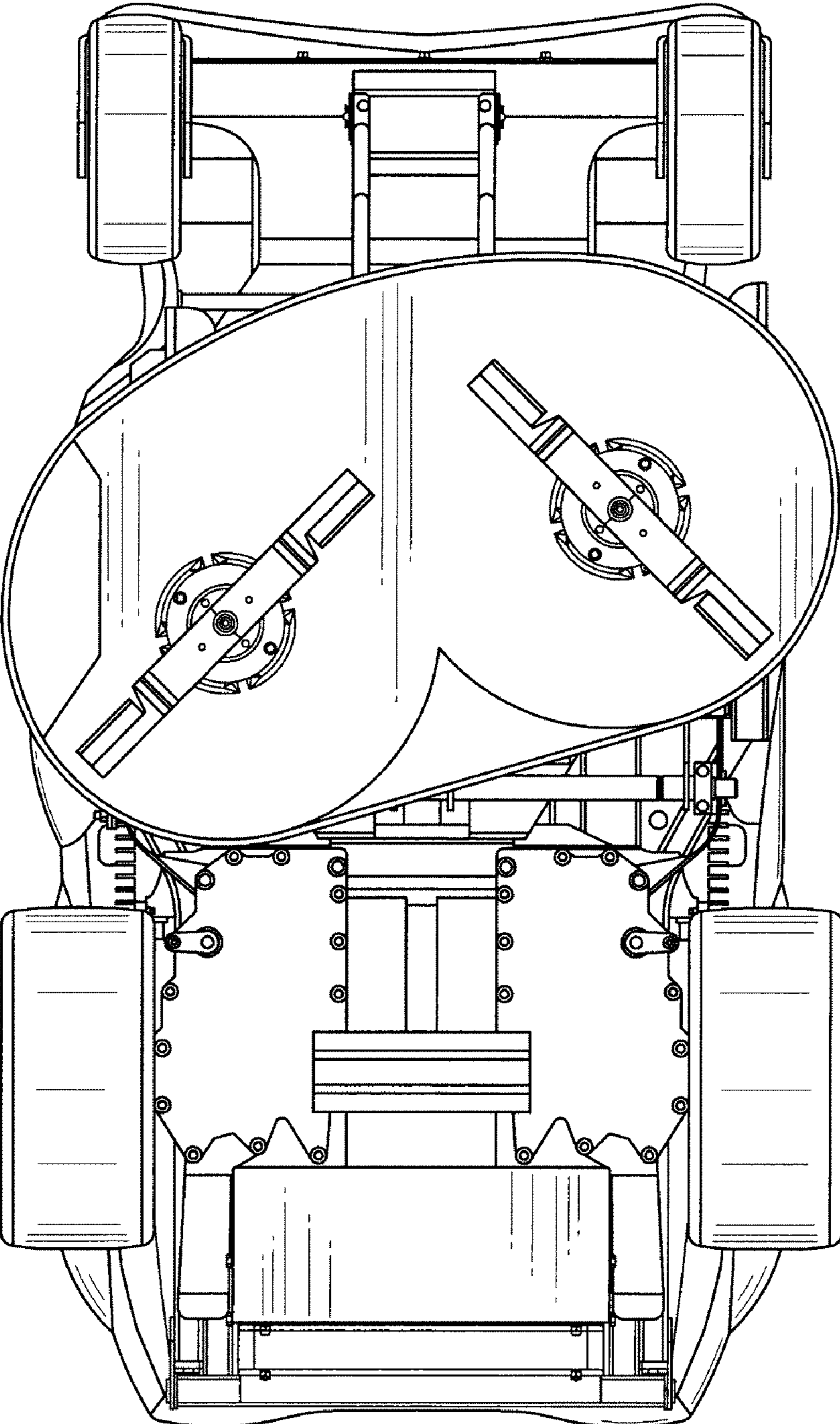


FIG. 6

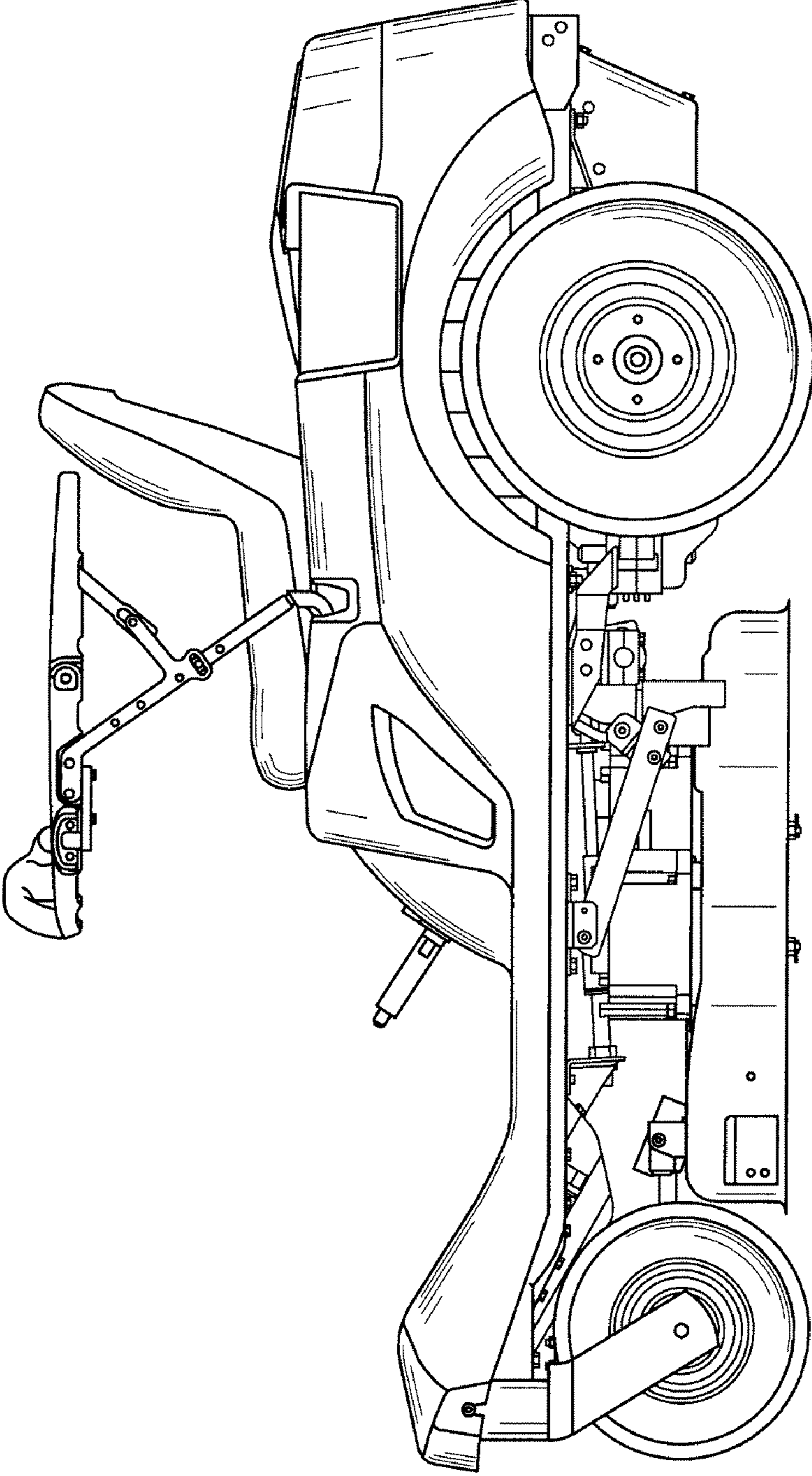


FIG. 7

