



US00D626570S

(12) **United States Design Patent**  
**Hunt et al.**

(10) **Patent No.:** **US D626,570 S**

(45) **Date of Patent:** **\*\* Nov. 2, 2010**

(54) **FLUID HEATER**

(75) Inventors: **James W. Hunt**, Coeur d'Alene, ID (US); **Joe W. Gaylord**, Post Falls, ID (US); **Keith W. Kempe**, Spokane, WA (US)

(73) Assignee: **Kim Hotstart Mfg. Co.**, Spokane, WA (US)

(\*\*) Term: **14 Years**

(21) Appl. No.: **29/313,178**

(22) Filed: **Dec. 10, 2008**

(51) **LOC (9) Cl.** ..... **15-01**

(52) **U.S. Cl.** ..... **D15/5; D15/7**

(58) **Field of Classification Search** ..... D15/5, D15/1-4, 7, 9; 165/41-44, 51, 104.28, 104.31, 165/104.33; 219/202, 205, 208; 123/142.5 R, 123/142.5 E; 392/478, 480, 485; 237/12.3 R, 237/12.3 C, 12.4

See application file for complete search history.

(56) **References Cited**

**U.S. PATENT DOCUMENTS**

1,356,427	A *	10/1920	Braunstein	165/160
2,503,883	A *	4/1950	Miller	122/136 C
2,855,903	A *	10/1958	Bliss	122/149
D191,730	S *	11/1961	Sheldon	D15/7
3,236,220	A *	2/1966	Holmes	123/142.5 R
4,019,020	A *	4/1977	Bilbee et al.	392/470
4,926,830	A *	5/1990	McNelley	123/142.5 R
5,078,206	A *	1/1992	Goetz, Jr.	165/41
5,092,304	A *	3/1992	McNelley	165/41
D330,712	S *	11/1992	Pingel et al.	D15/5
5,522,453	A *	6/1996	Green	165/41
D372,719	S *	8/1996	Jensen	D15/7
D373,365	S *	9/1996	Schoenmeyr	D15/7
D450,714	S *	11/2001	Gaylord	D15/5
7,182,126	B2 *	2/2007	Heise	165/142

7,597,552 B2 \* 10/2009 Young et al. .... 237/12.3 C  
2009/0236434 A1 \* 9/2009 Hohensee ..... 237/12.3 C

\* cited by examiner

*Primary Examiner*—Ian Simmons

*Assistant Examiner*—Wan Laymon

(74) *Attorney, Agent, or Firm*—Wells St. John P.S.

(57) **CLAIM**

We claim the ornamental design of a fluid heater, showing our new design.

**DESCRIPTION**

FIG. 1 is a first side elevation view of the fluid heater showing my new design. The broken lines shown in FIG. 1 are for illustrative purposes only and form no part of the claimed design.

FIG. 2 is a top plan view of that seen in FIG. 1. The broken lines shown in this view are for illustrative purposes only and form no part of the claimed design.

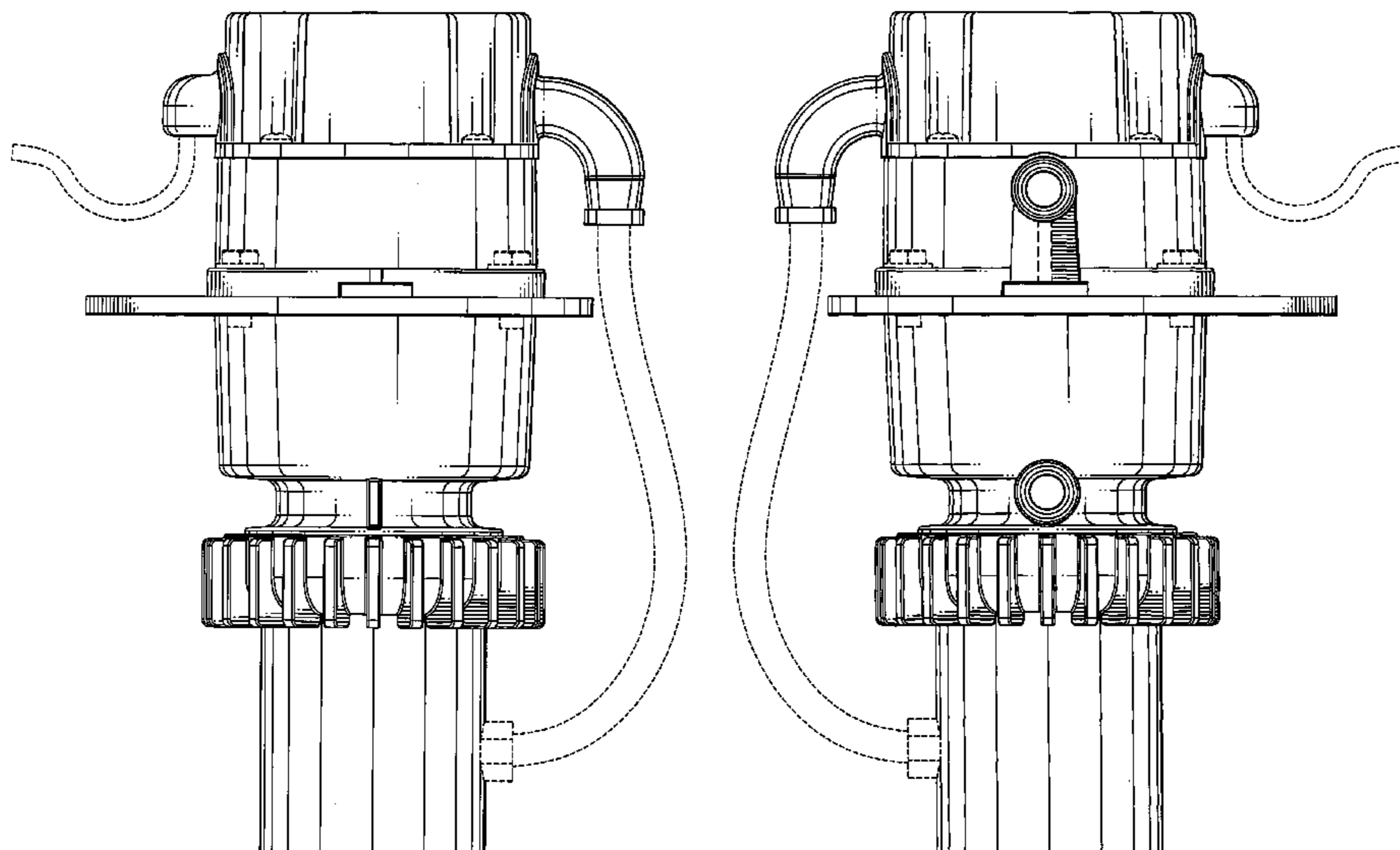
FIG. 3 is a bottom plan view of that seen in FIG. 1. The broken lines shown in this view are for illustrative purposes only and form no part of the claimed design.

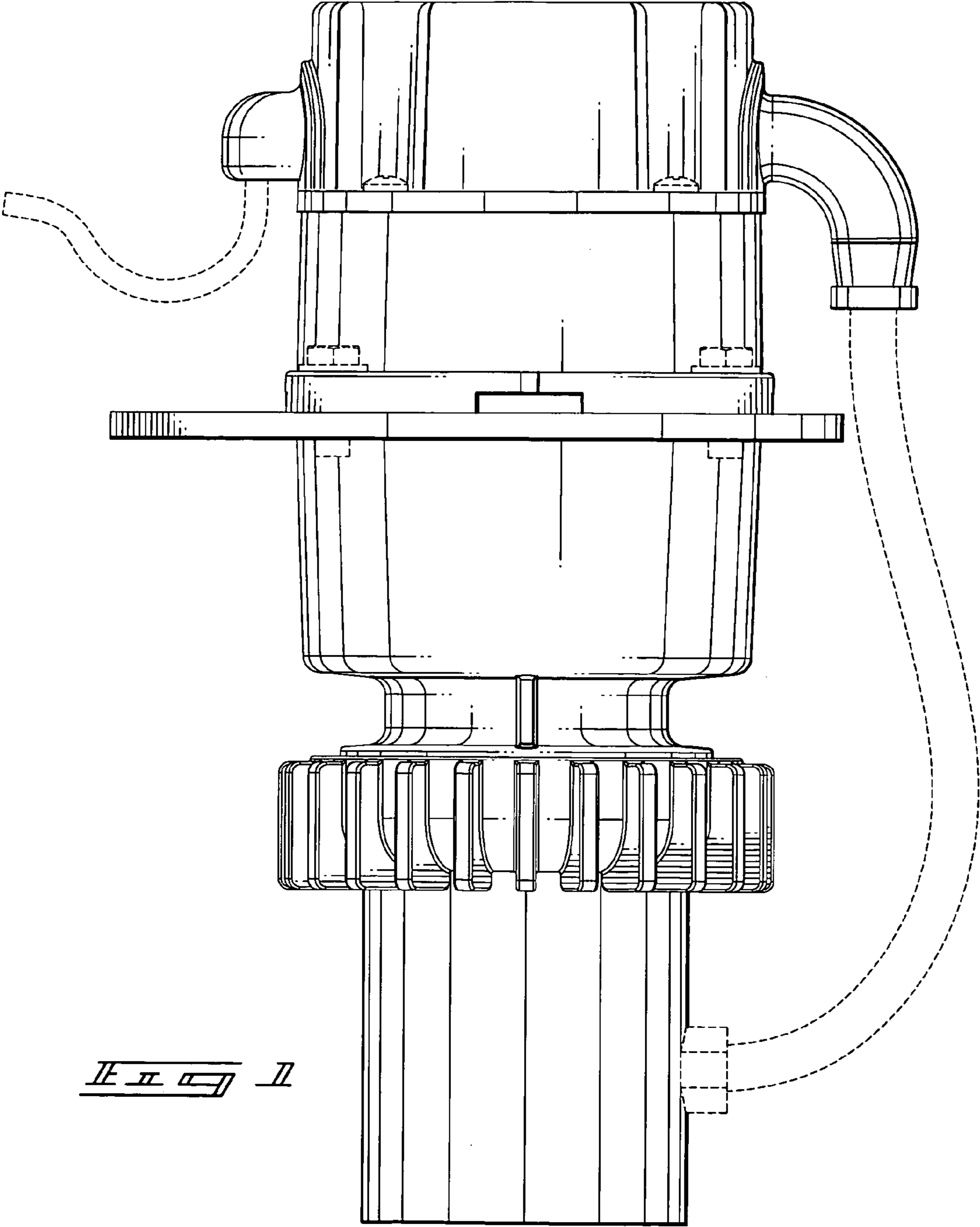
FIG. 4 is a second side elevation view taken from a position, which is 90° offset from that seen in FIG. 1. The broken lines shown in this view are for illustrative purposes only and form no part of the claimed design.

FIG. 5 is a third side elevation view of the fluid heater, taken from a position, which is 180° offset from that seen in FIG. 1. The broken lines shown in this view are for illustrative purposes only and form no part of the claimed design; and,

FIG. 6 is a fourth side elevation view of the fluid heater, of the present design, and which is taken from a position opposite to that seen in FIG. 1. The broken lines shown in this view are for illustrative purposes only and form no part of the claimed design.

**1 Claim, 6 Drawing Sheets**





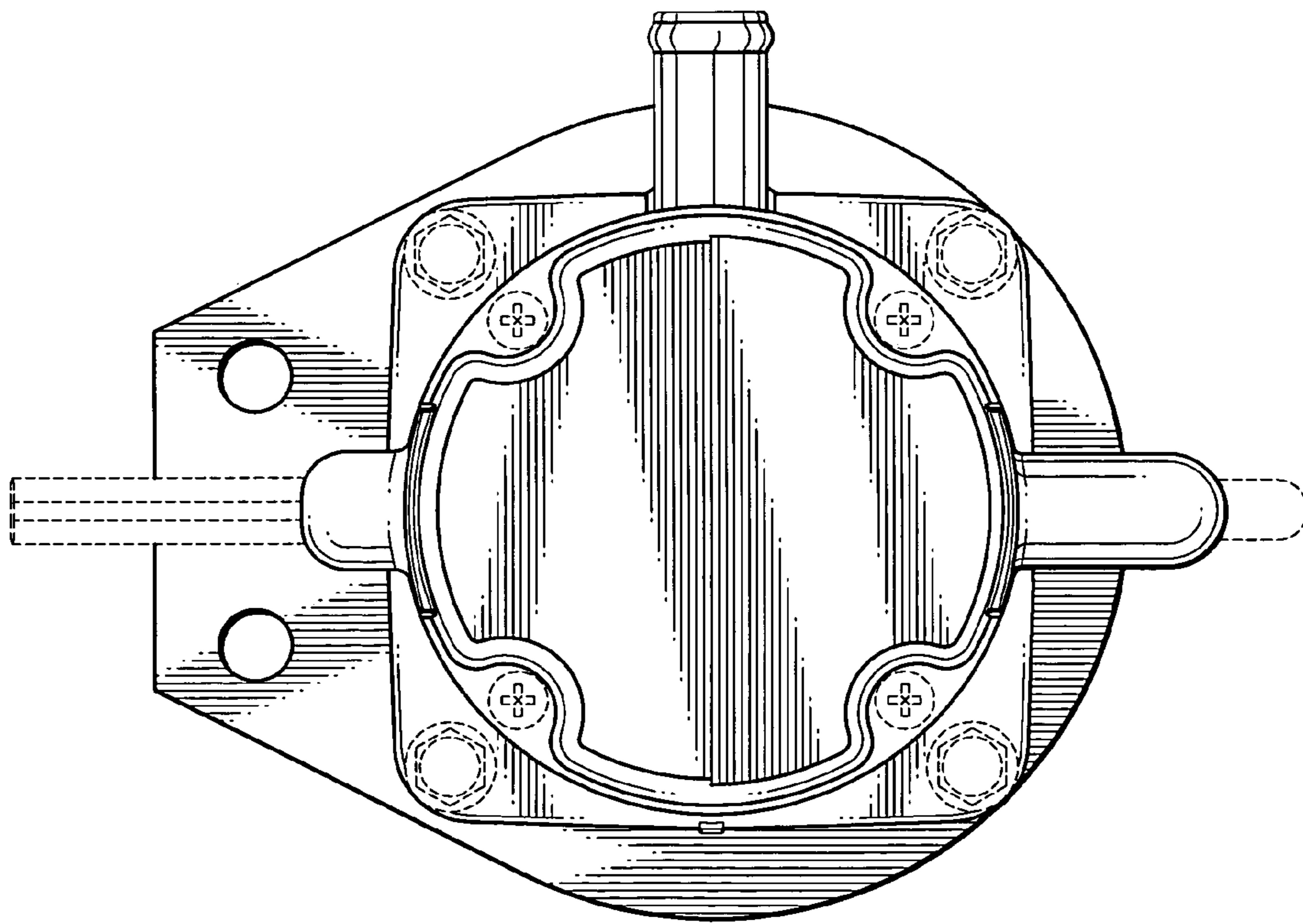


FIG. 2

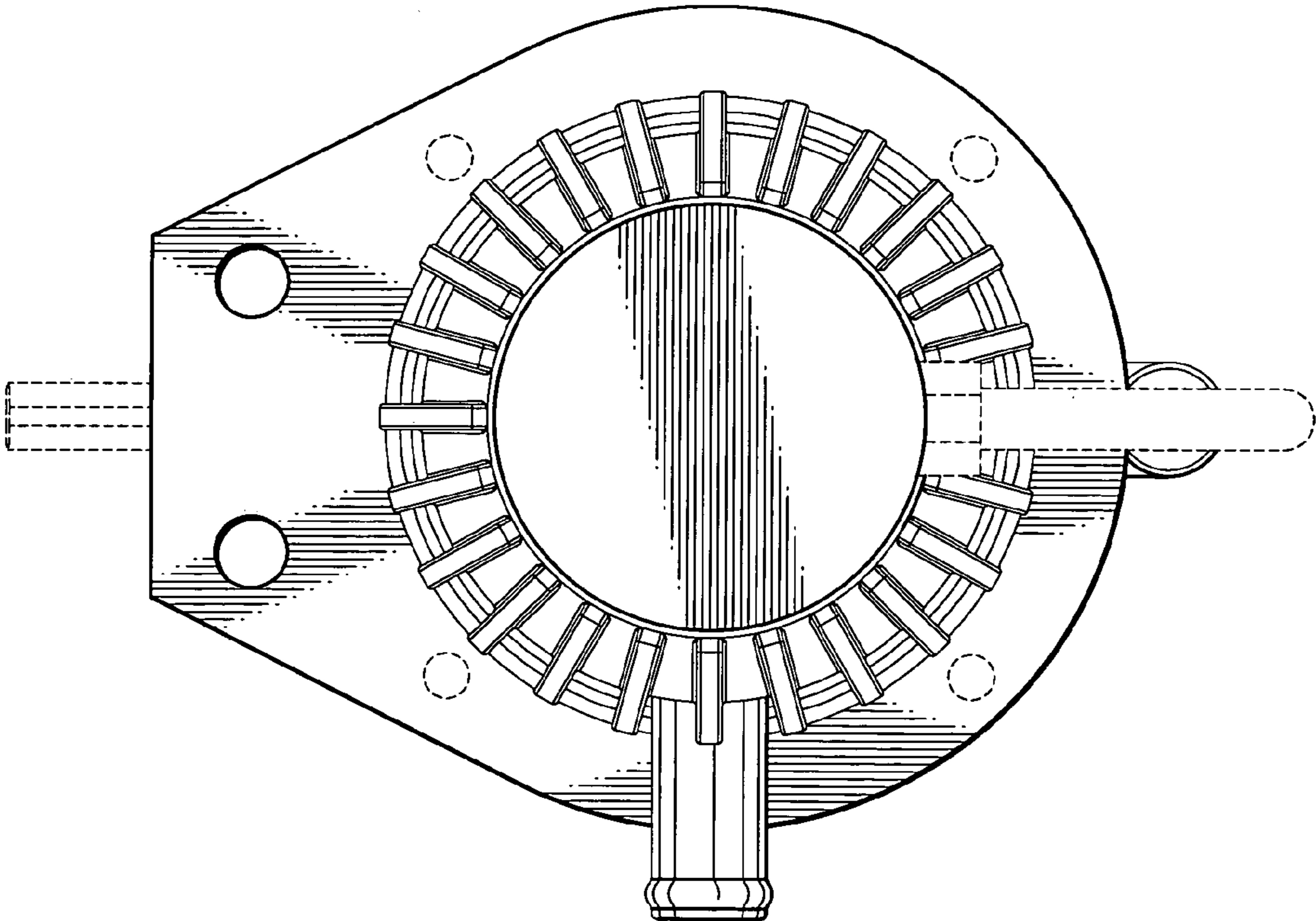
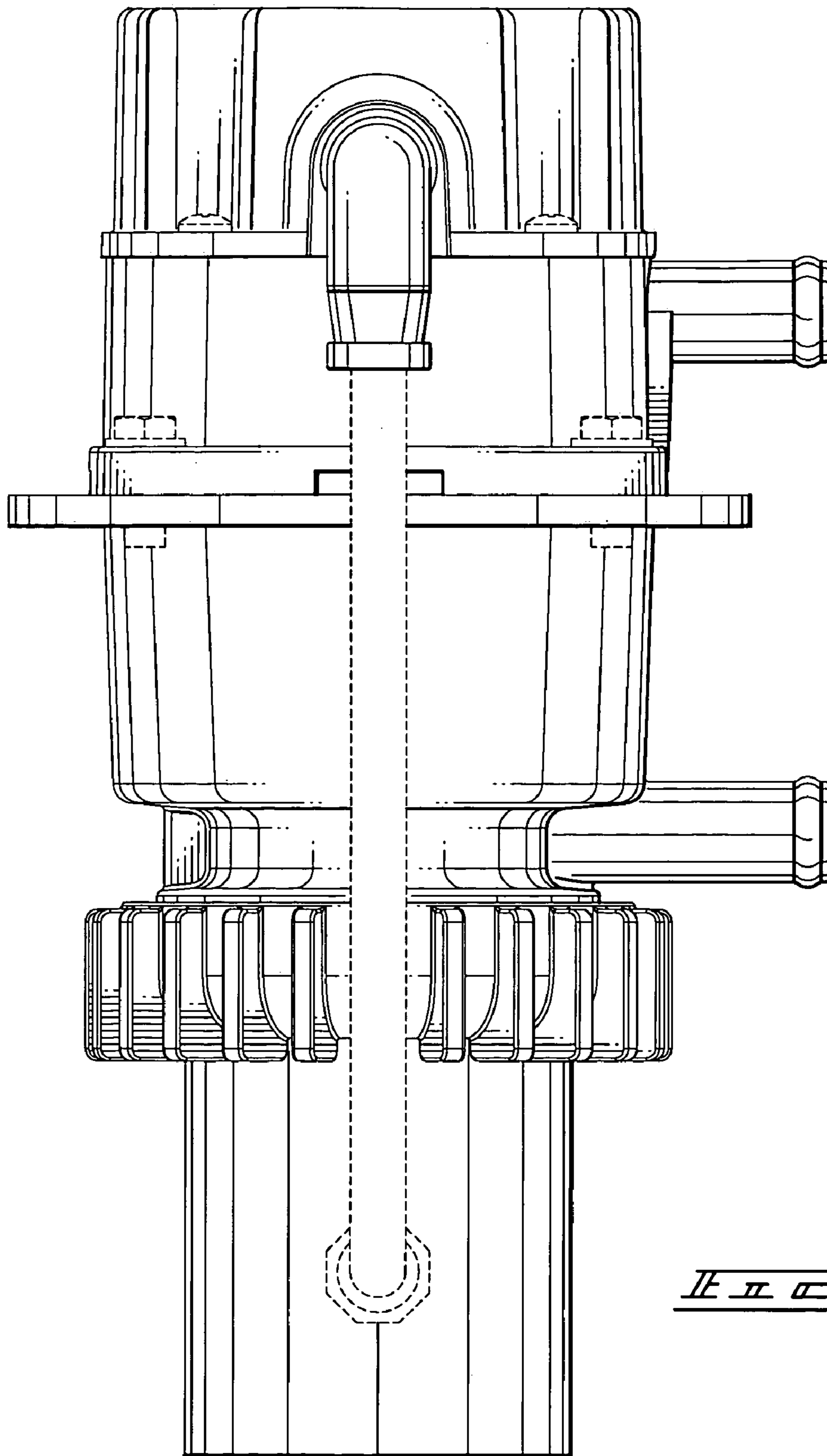


FIG. 3



*Figure 4*

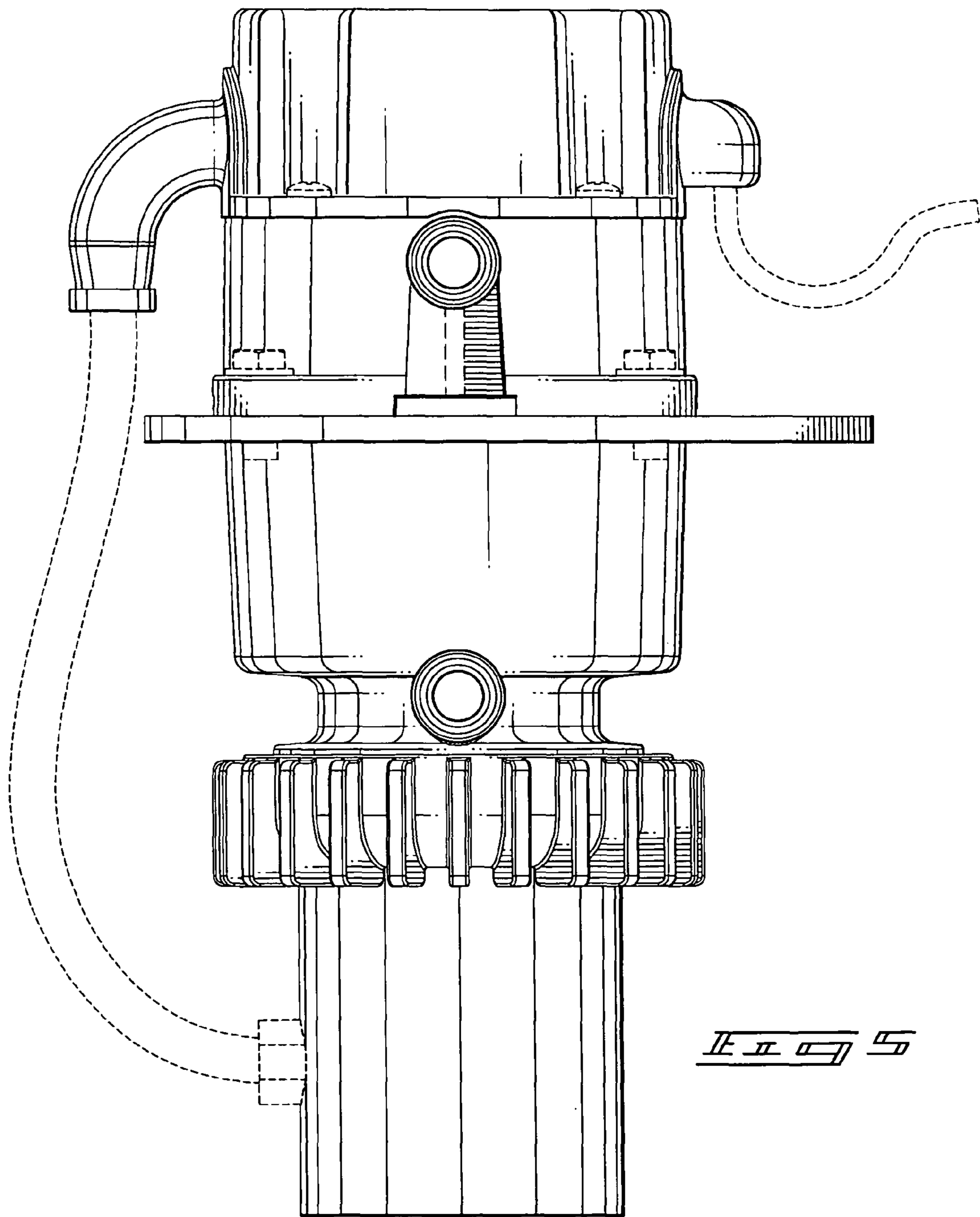


FIG. 5

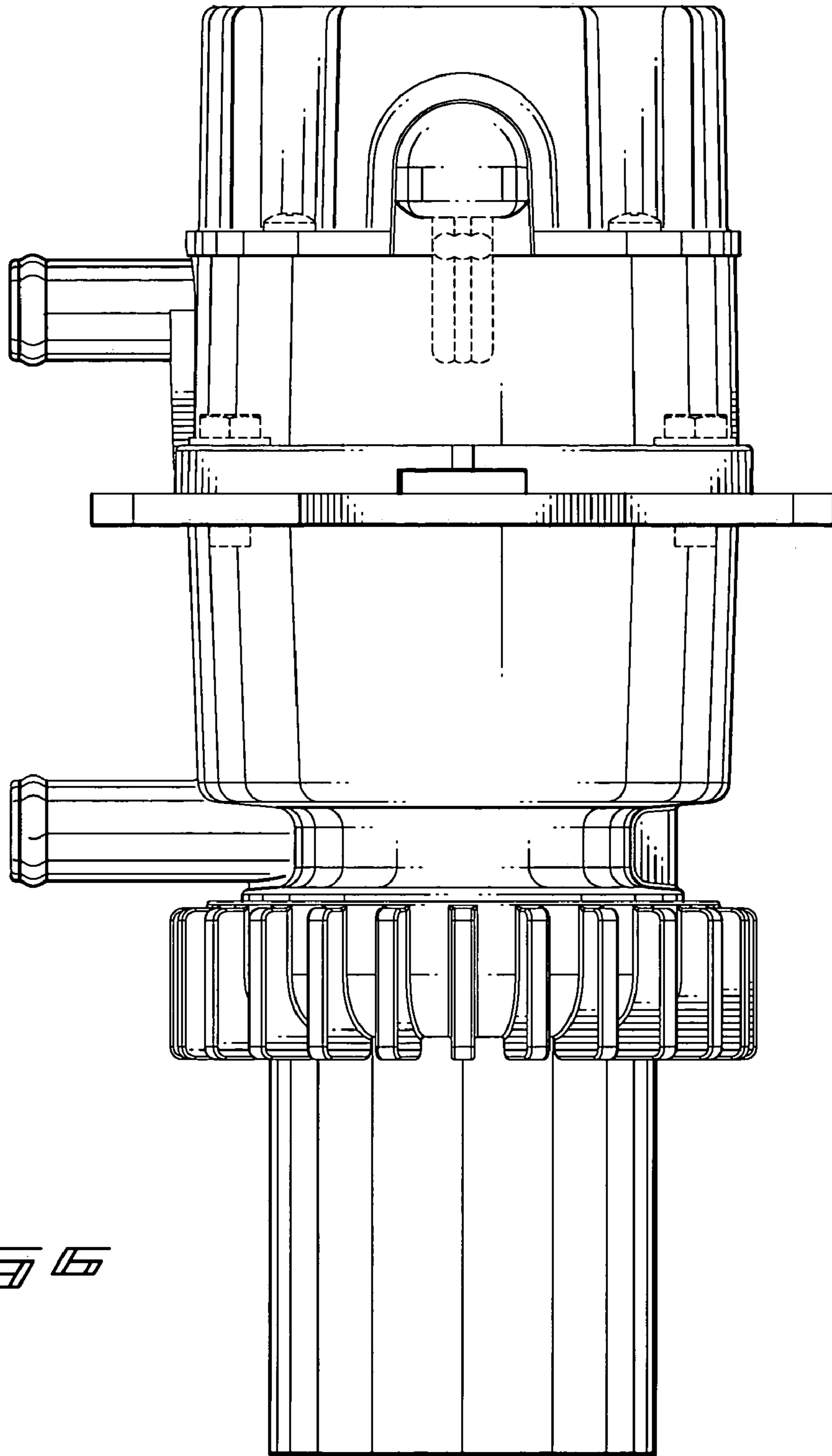


Fig. 6