



US00D626567S

(12) **United States Design Patent**
Furukawa

(10) **Patent No.:** **US D626,567 S**

(45) **Date of Patent:** **** Nov. 2, 2010**

(54) **BLU-RAY DISC PLAYER WITH STAND**

(75) Inventor: **Toshio Furukawa**, Osaka (JP)

(73) Assignee: **Funai Electric Co., Ltd.**, Osaka (JP)

(**) Term: **14 Years**

(21) Appl. No.: **29/353,193**

(22) Filed: **Jan. 5, 2010**

(51) **LOC (9) Cl.** **14-01**

(52) **U.S. Cl.** **D14/500; D14/203.8**

(58) **Field of Classification Search** D14/496,
D14/498-510, 167-168, 188, 203.8, 172;
360/99.02, 99.07; 369/75.11, 75.21, 77.11,
369/77.21; 720/601, 612, 619, 649, 655;
455/344, 347-351

See application file for complete search history.

(56) **References Cited**

U.S. PATENT DOCUMENTS

D492,661 S * 7/2004 Masamitsu et al. D14/499

D510,921 S * 10/2005 Khadivar D14/499

D519,977 S * 5/2006 Oikawa D14/500

D521,964 S * 5/2006 Zhang D14/203.8

D587,282 S * 2/2009 Kim et al. D14/499

* cited by examiner

Primary Examiner—Nanda Bondade

(74) *Attorney, Agent, or Firm*—Sughrue Mion, PLLC

(57) **CLAIM**

The ornamental design for a blu-ray disc player with stand, as shown and described.

DESCRIPTION

FIG. 1 is a perspective view of top, front and right side of a blu-ray disc player with stand showing my new design;

FIG. 2 is a front view thereof;

FIG. 3 is a rear view thereof;

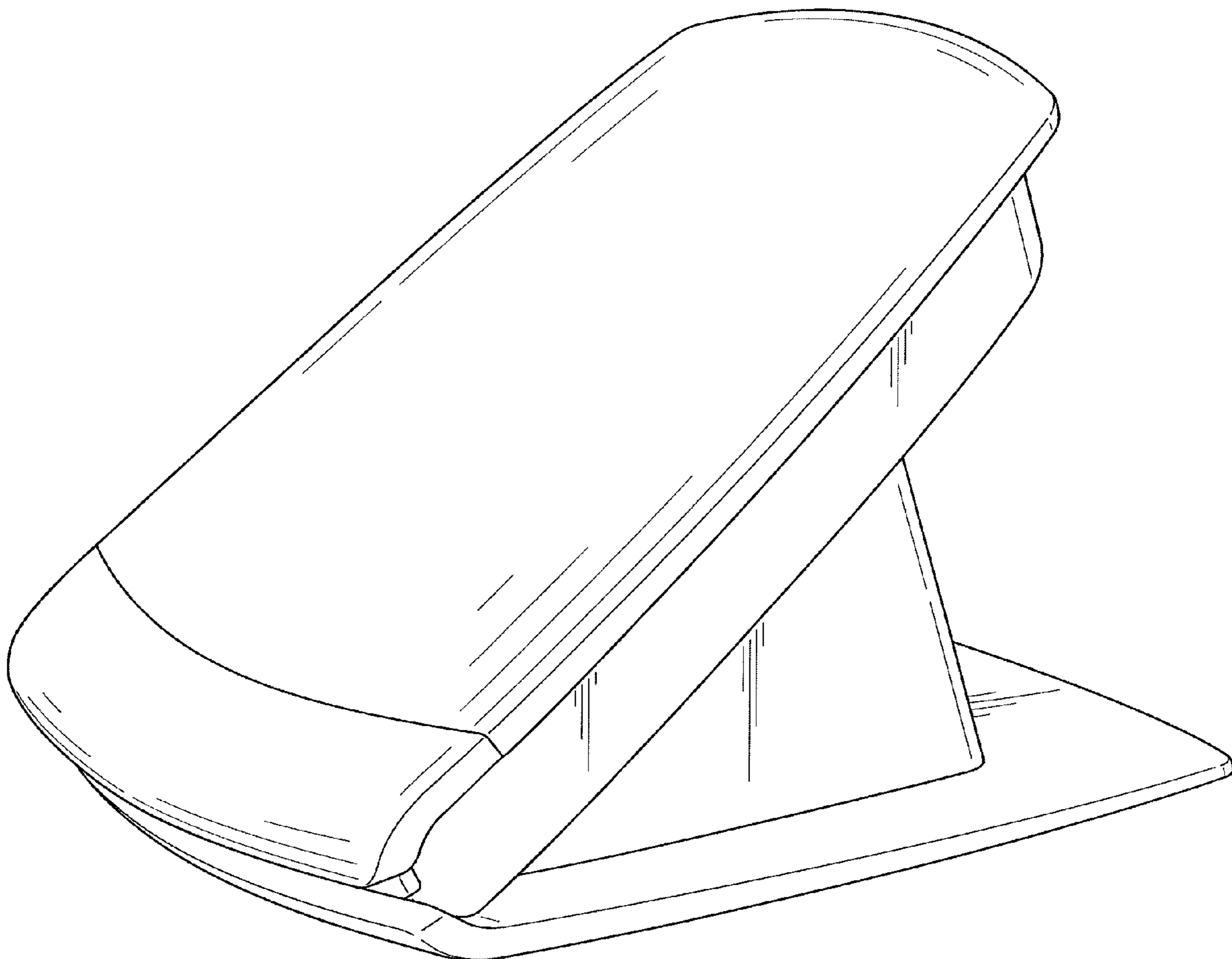
FIG. 4 is a left side view thereof;

FIG. 5 is a right side view thereof;

FIG. 6 is a top plan view thereof; and,

FIG. 7 is a bottom view thereof.

1 Claim, 7 Drawing Sheets



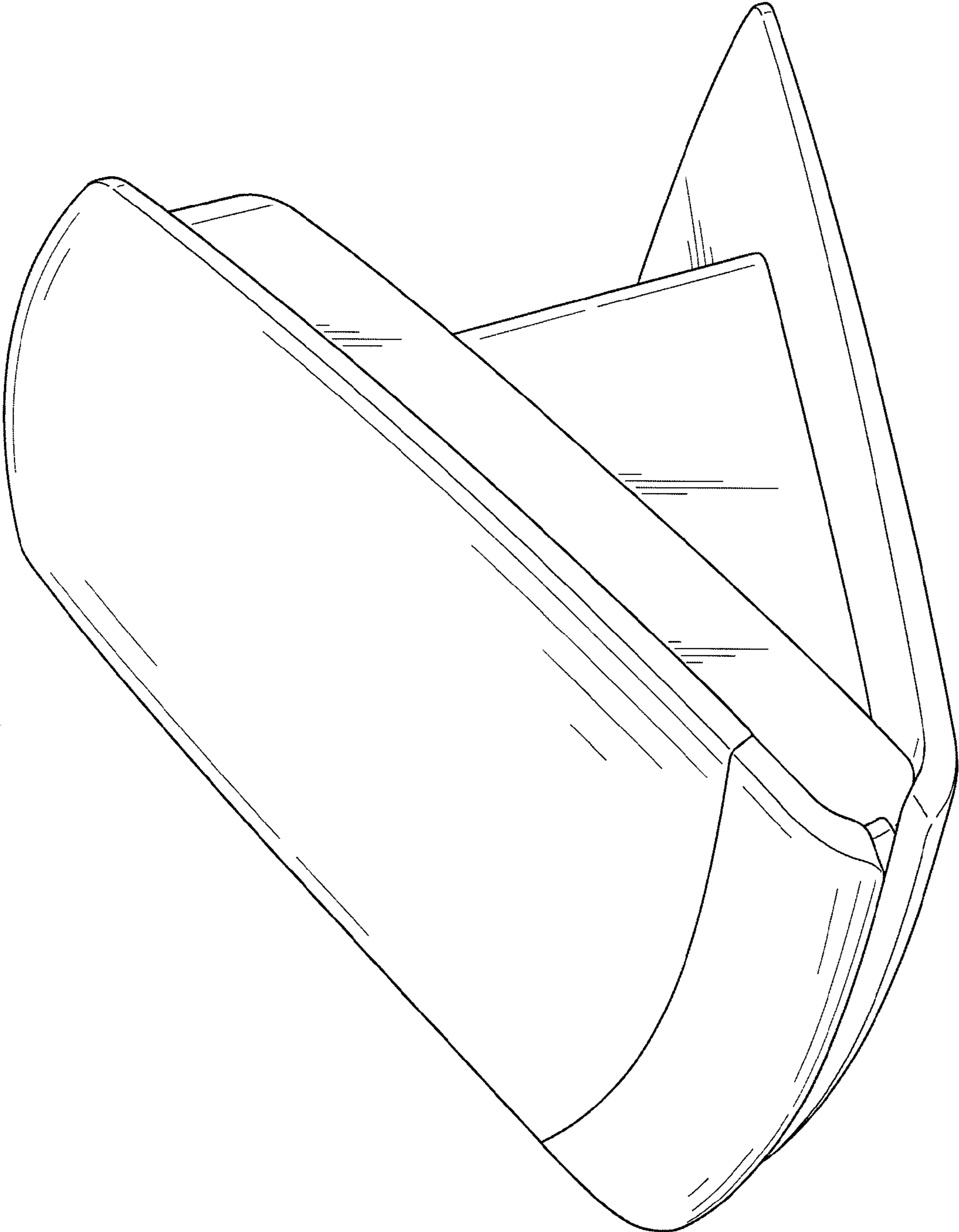


FIG. 1

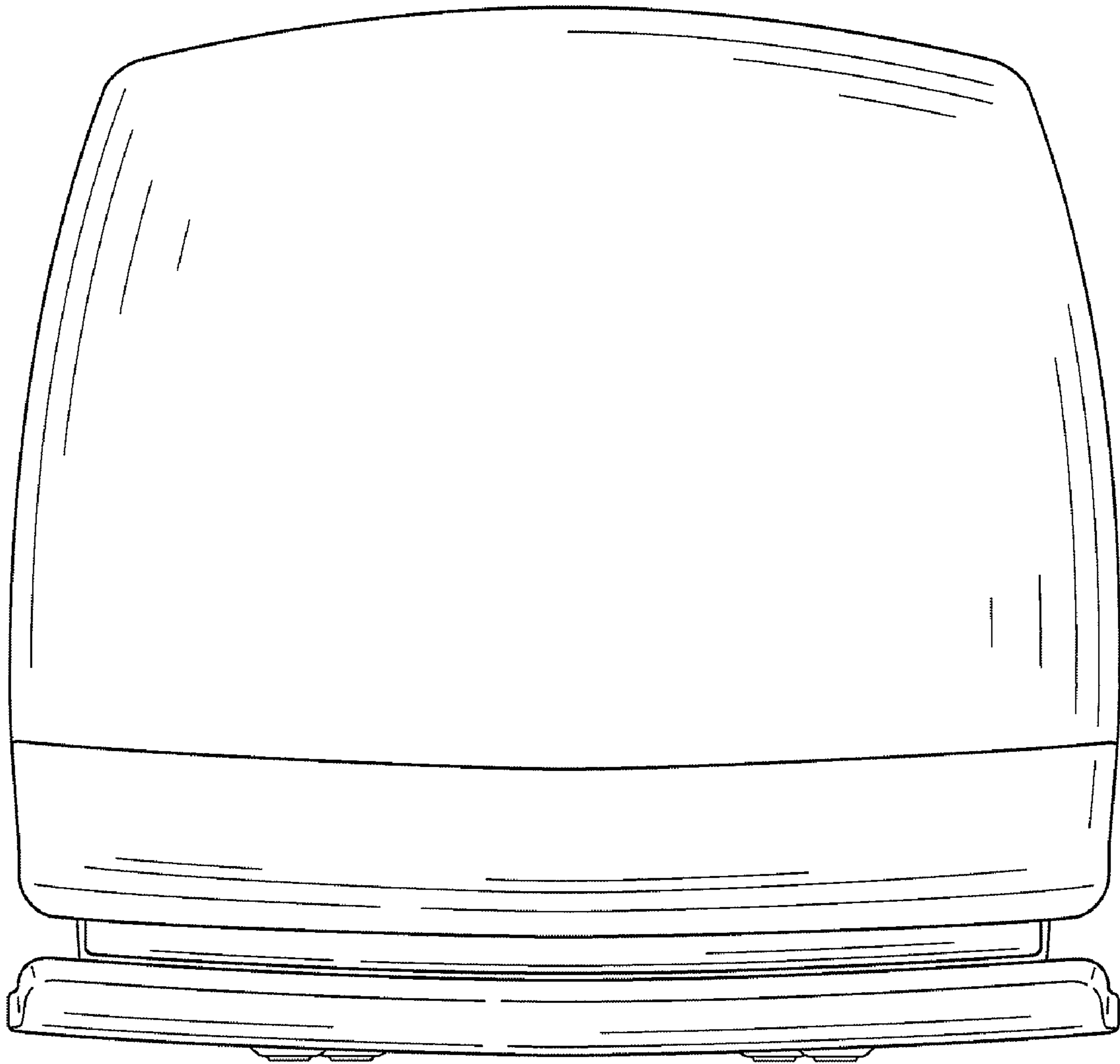


FIG. 2

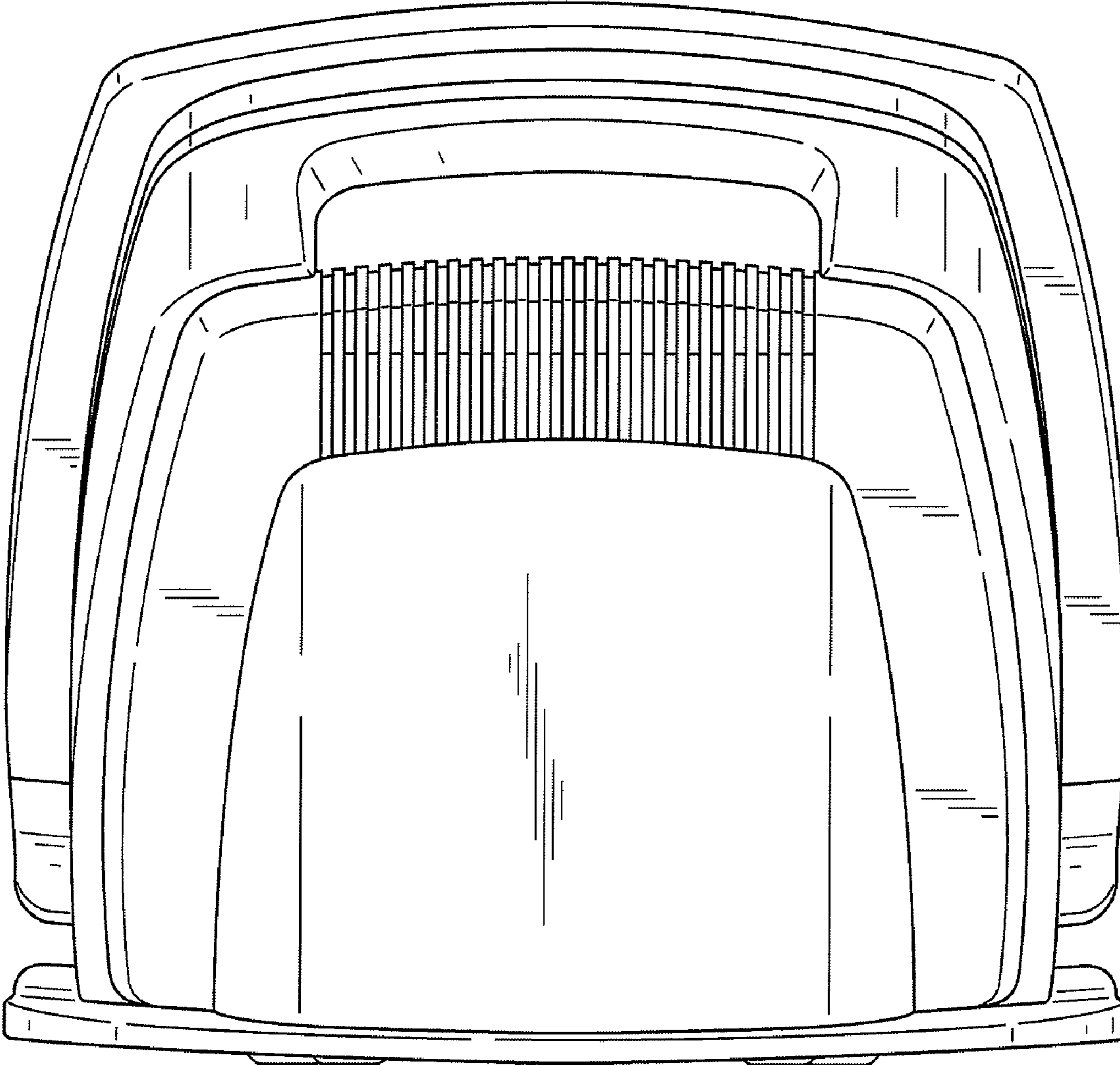


FIG. 3

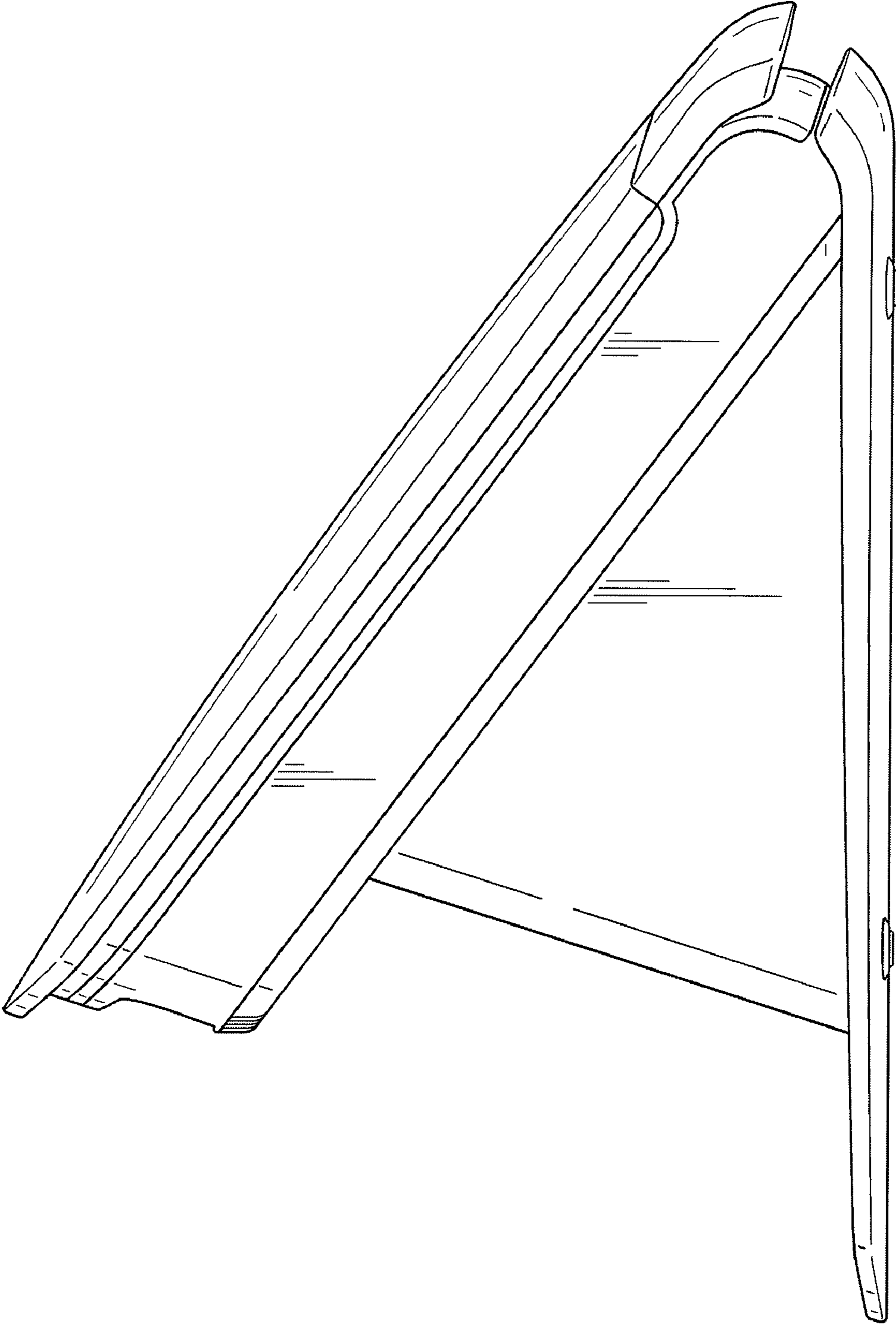


FIG. 4

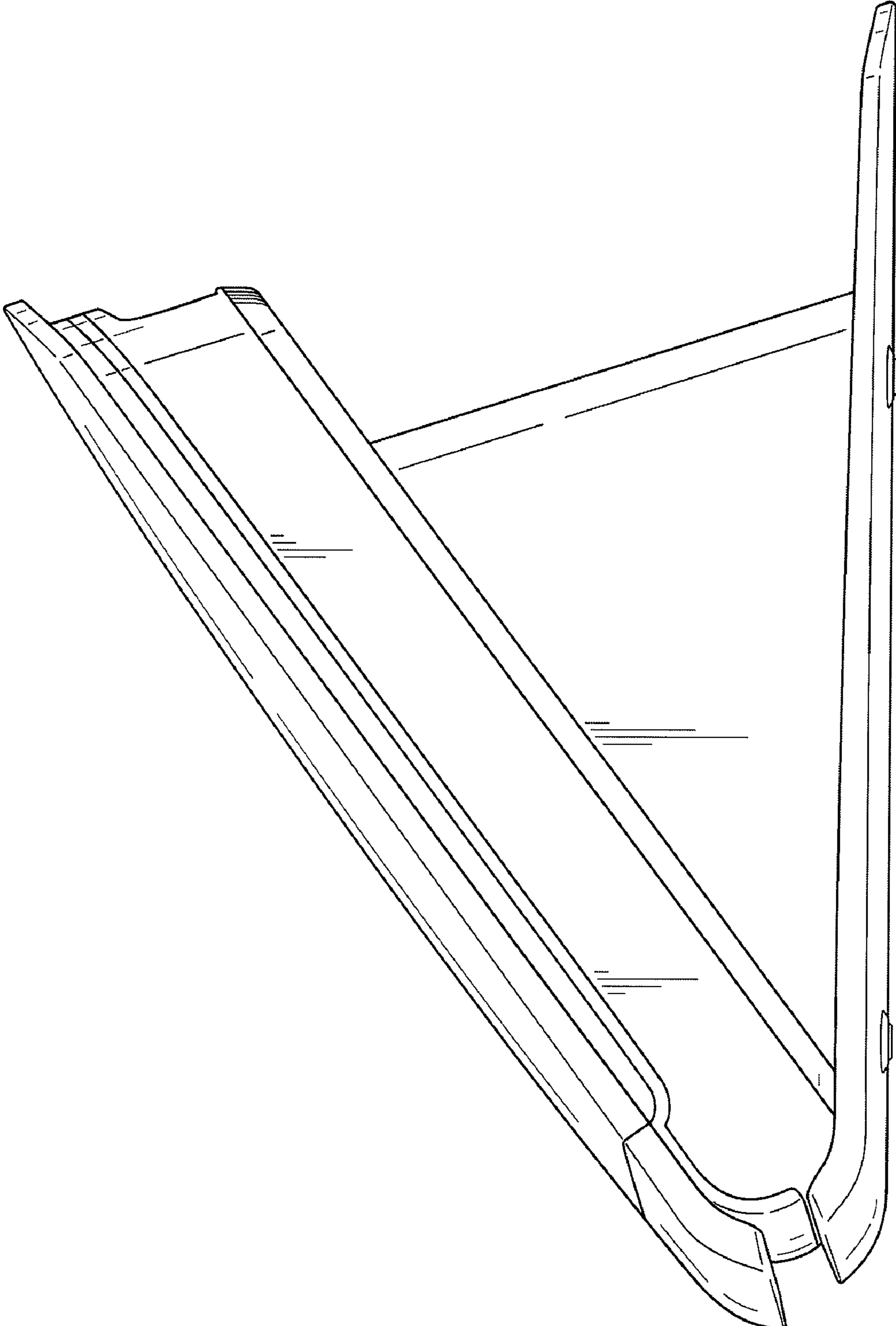


FIG. 5

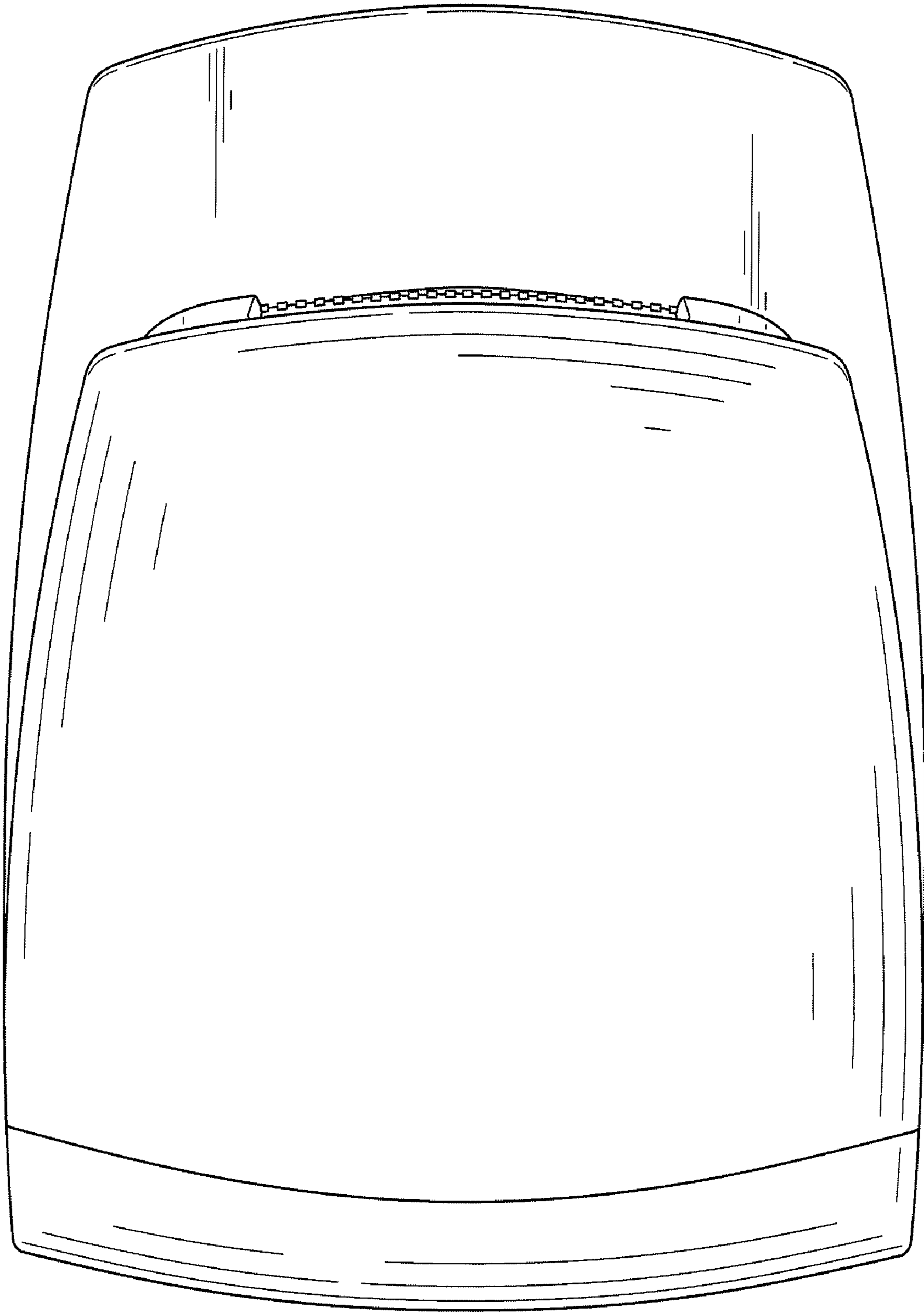


FIG. 6

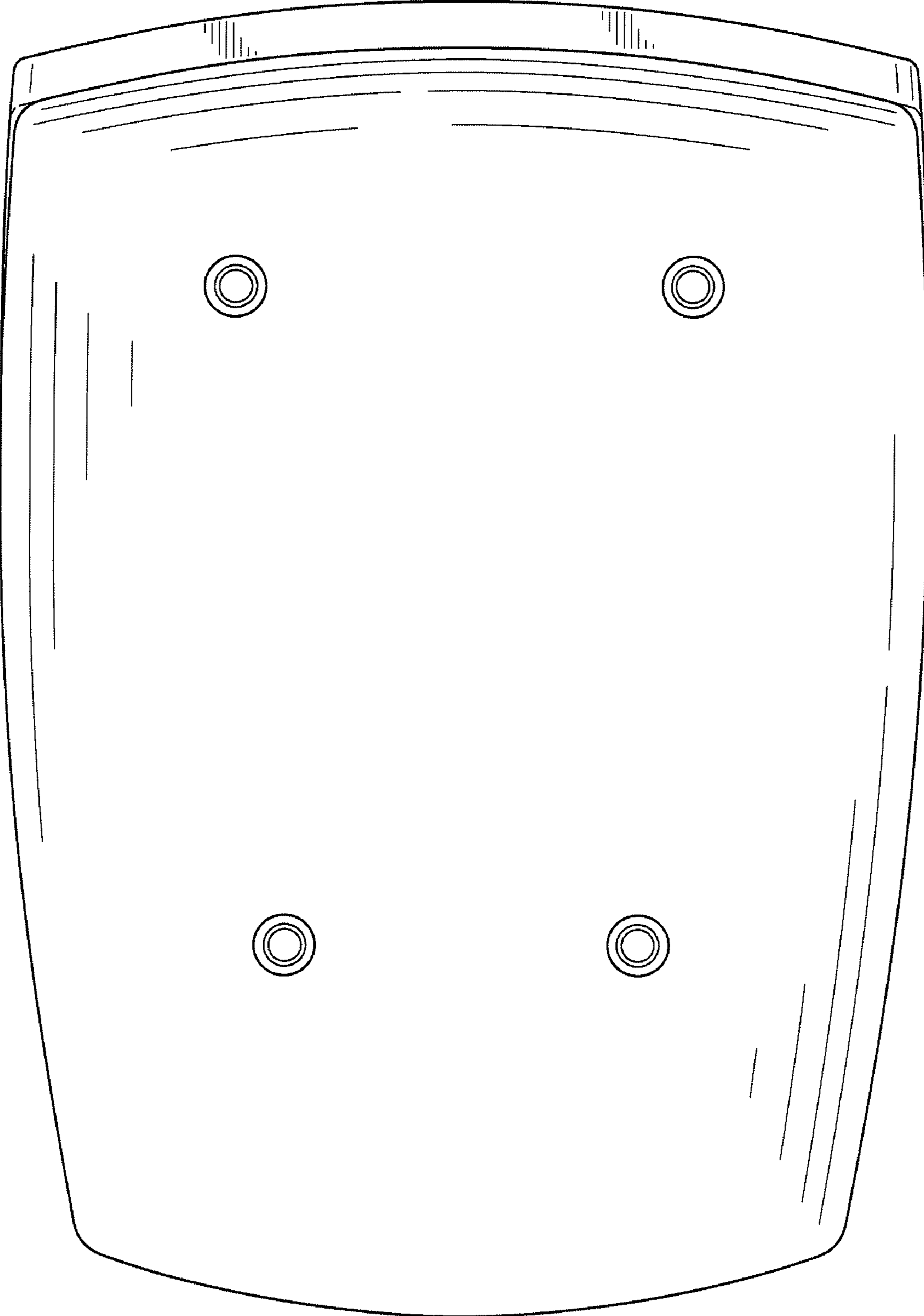


FIG. 7