



US00D626559S

(12) **United States Design Patent**  
**Green**

(10) **Patent No.:** **US D626,559 S**

(45) **Date of Patent:** **\*\* Nov. 2, 2010**

(54) **STAND FOR A TABLET COMPUTER**

(76) Inventor: **Andrew Green**, P.O. Box 21827,  
Charleston, SC (US) 29413

(\*\*) Term: **14 Years**

(21) Appl. No.: **29/365,860**

(22) Filed: **Jul. 15, 2010**

(51) **LOC (9) Cl.** ..... **08-07**

(52) **U.S. Cl.** ..... **D14/447**

(58) **Field of Classification Search** ..... D14/447,  
D14/451, 432, 439, 217, 251, 253, 250; D13/107,  
D13/108; D3/218, 269; 379/454, 455; 361/679.03;  
248/917, 918, 919, 920, 921, 922, 923, 924  
See application file for complete search history.

(56) **References Cited**

**U.S. PATENT DOCUMENTS**

D361,561 S *	8/1995	Baudot	.....	D14/447
D492,966 S *	7/2004	Serrault et al.	.....	D19/92
D516,562 S *	3/2006	Solomon et al.	.....	D14/434
D527,370 S *	8/2006	Wong	.....	D14/147
D530,273 S *	10/2006	Solland	.....	D13/108
D531,142 S *	10/2006	Yang et al.	.....	D14/125
D549,707 S *	8/2007	Depay	.....	D14/434

D558,192 S *	12/2007	Daly et al.	.....	D14/251
D558,774 S *	1/2008	Najima et al.	.....	D14/447
D571,788 S *	6/2008	King et al.	.....	D14/217
D571,815 S *	6/2008	Chung	.....	D14/447
D590,404 S *	4/2009	Kim et al.	.....	D14/447
D622,274 S *	8/2010	Green	.....	D14/447

\* cited by examiner

*Primary Examiner*—Angela J Lee

(74) *Attorney, Agent, or Firm*—Mark Swanson; Bradley Arant Boult Cummings LLP

(57) **CLAIM**

I claim the ornamental design for a stand for a tablet computer, as shown.

**DESCRIPTION**

FIG. 1 is a perspective view of a stand for a tablet computer.

FIG. 2 is a top plan view thereof.

FIG. 3 is a left side elevation view thereof.

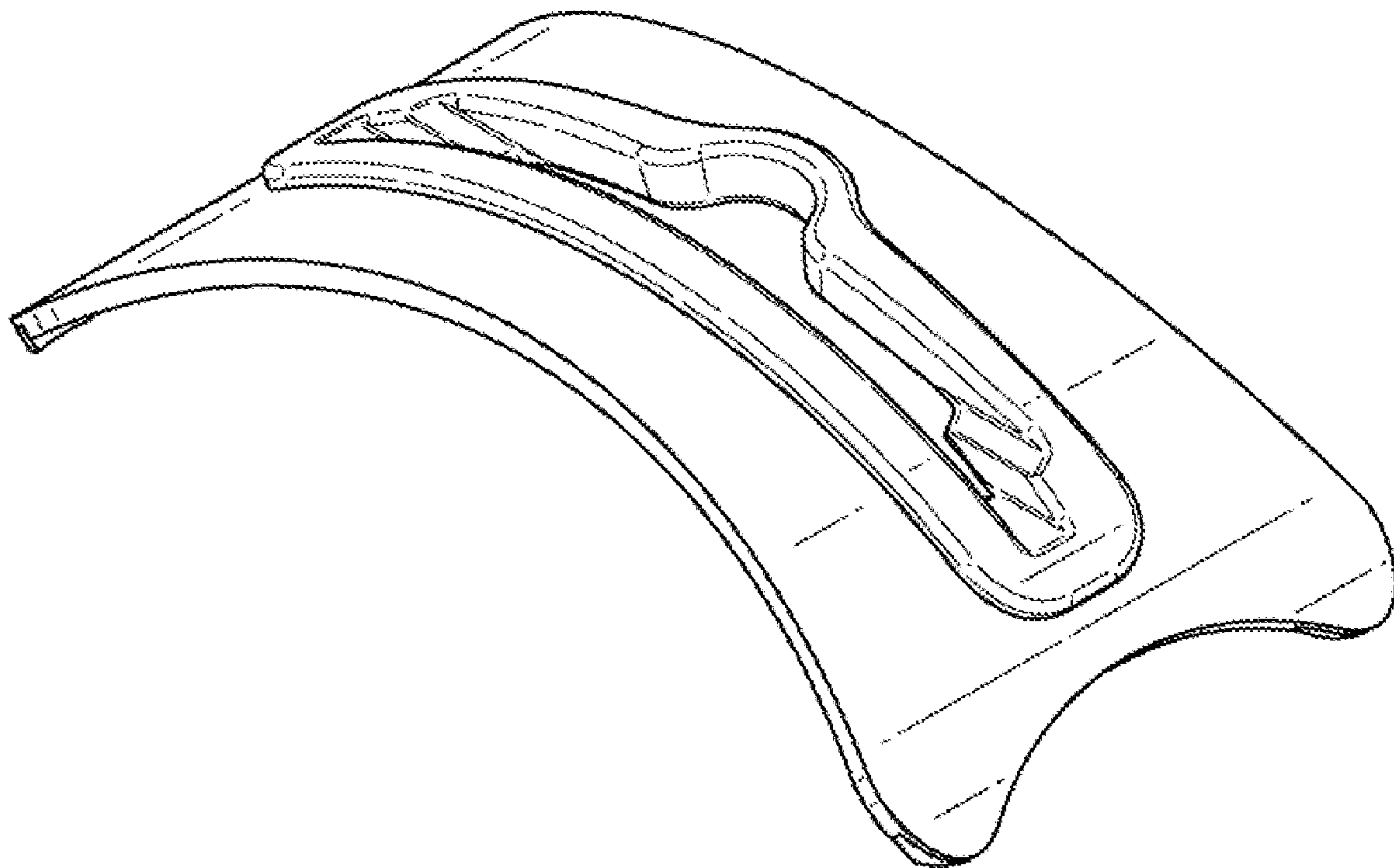
FIG. 4 is a right side elevation view thereof.

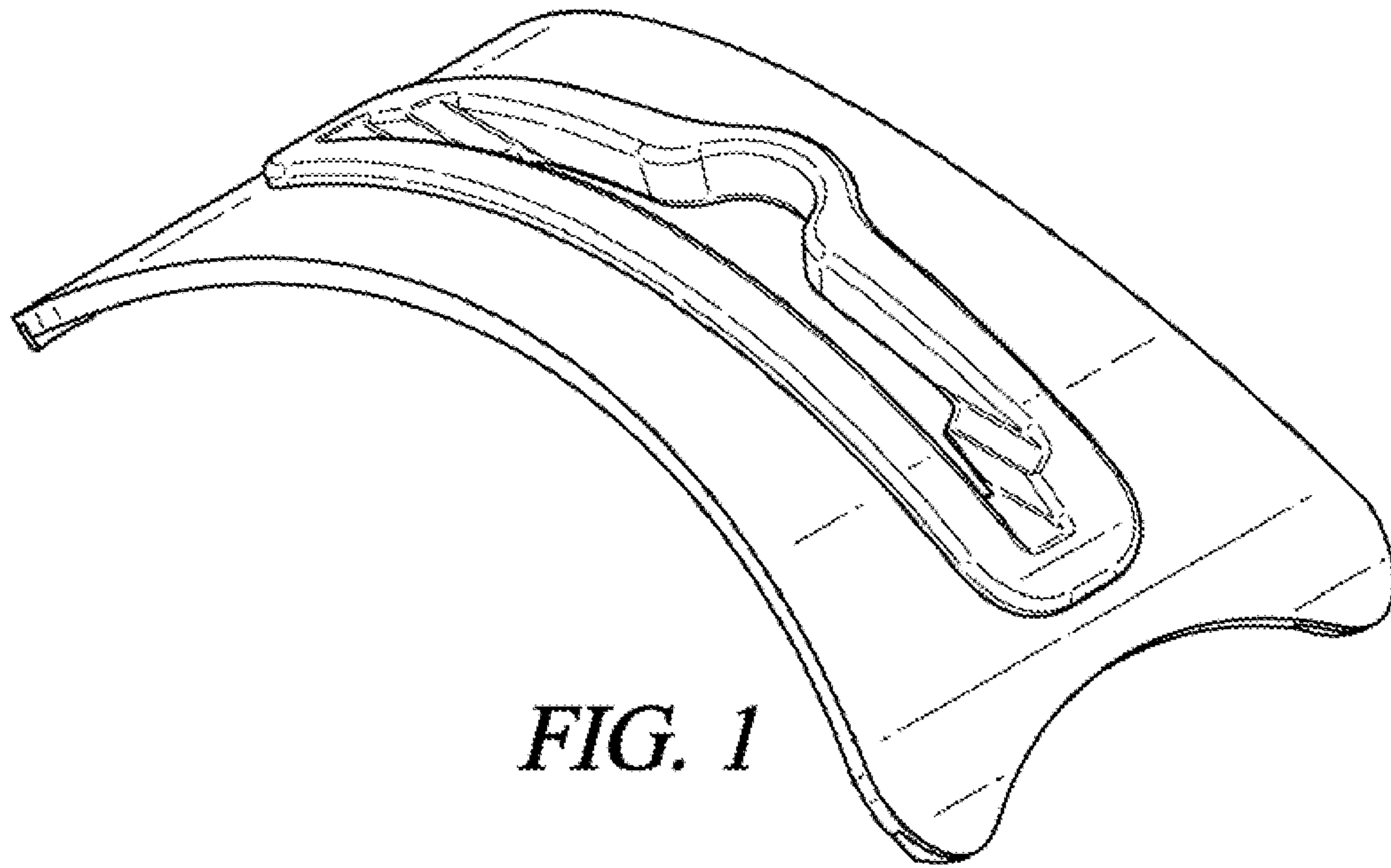
FIG. 5 is a front elevation view thereof.

FIG. 6 is a back elevation view thereof; and,

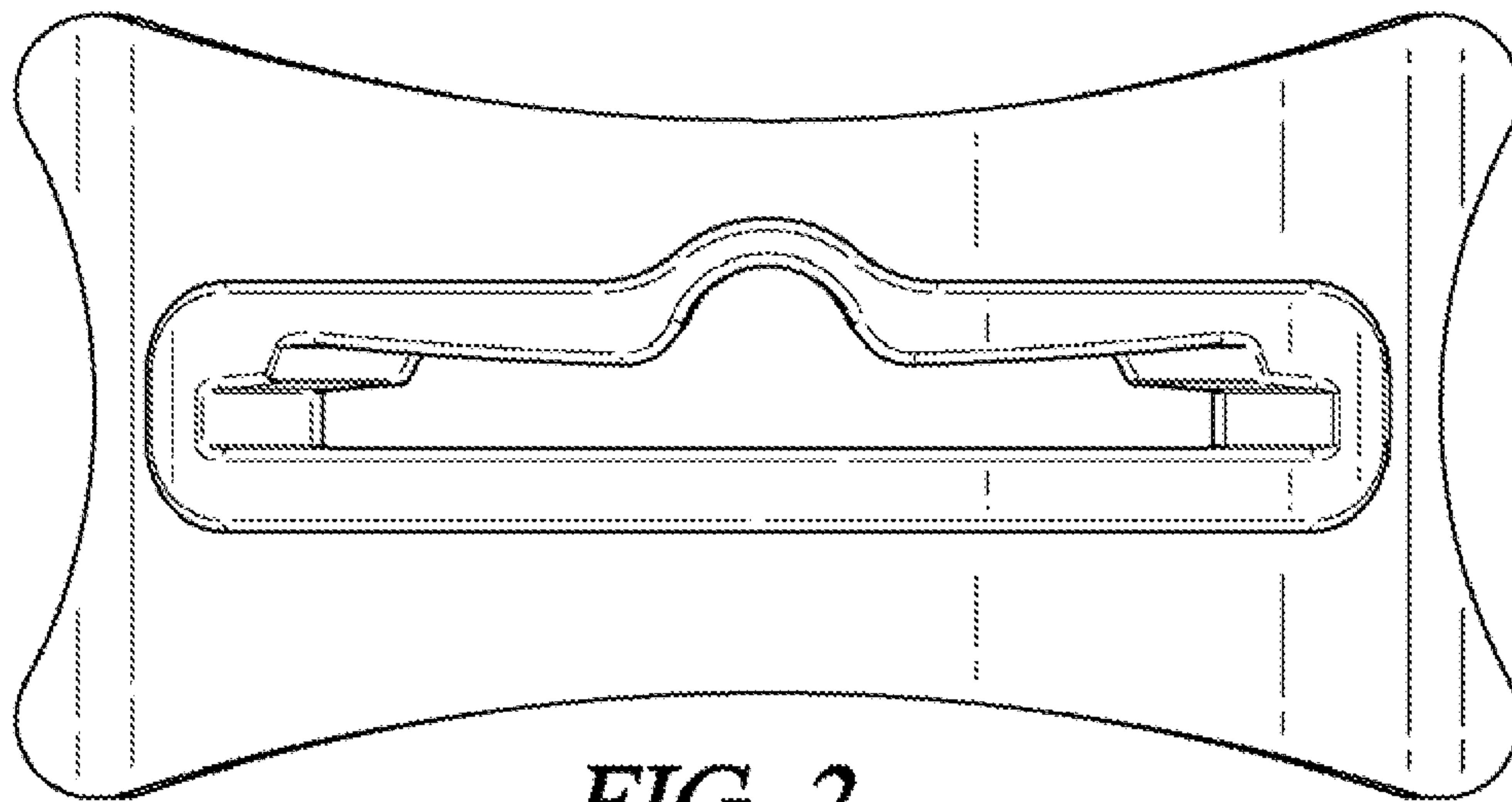
FIG. 7 is bottom plan view thereof.

**1 Claim, 2 Drawing Sheets**

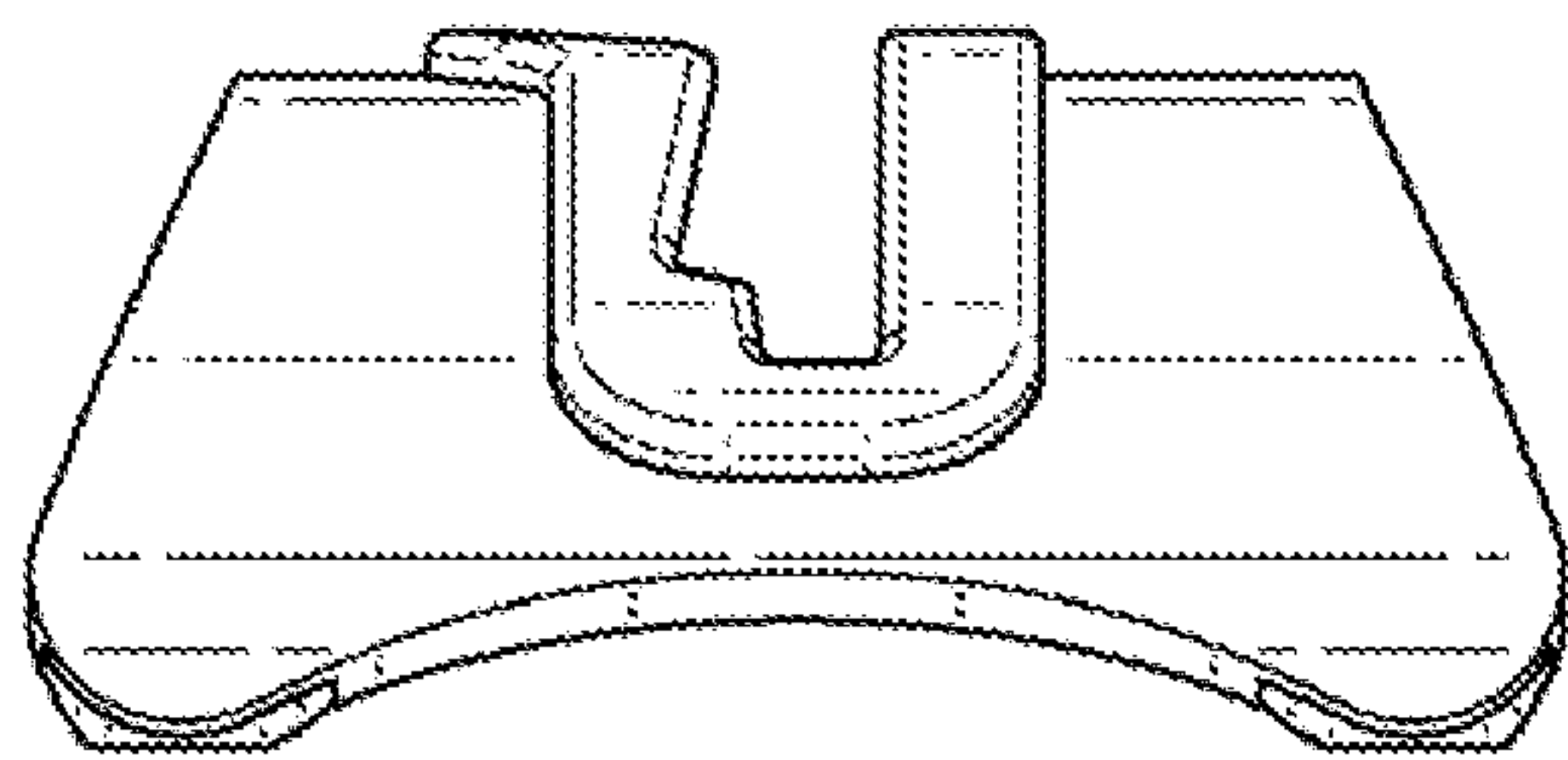




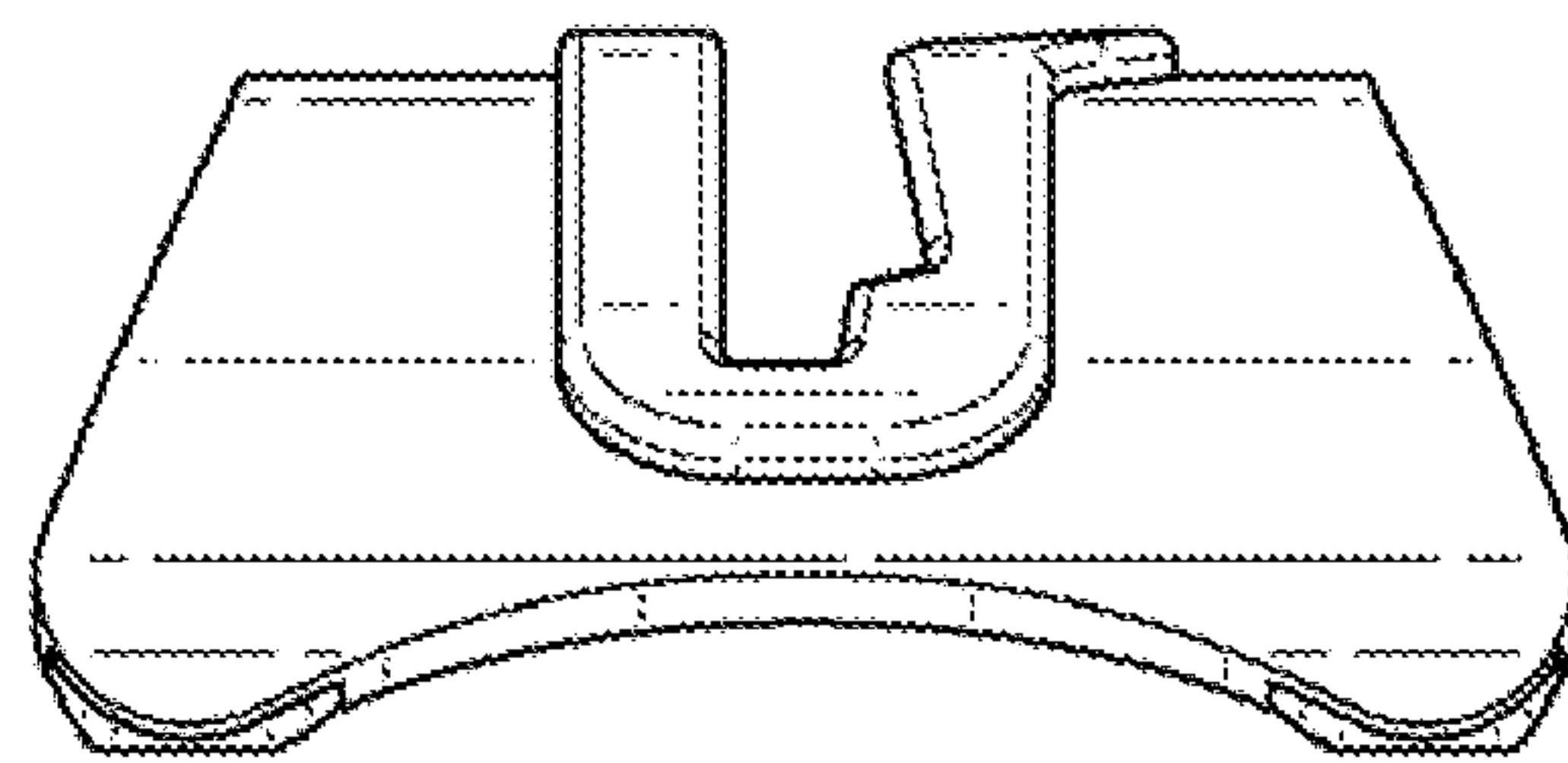
*FIG. 1*



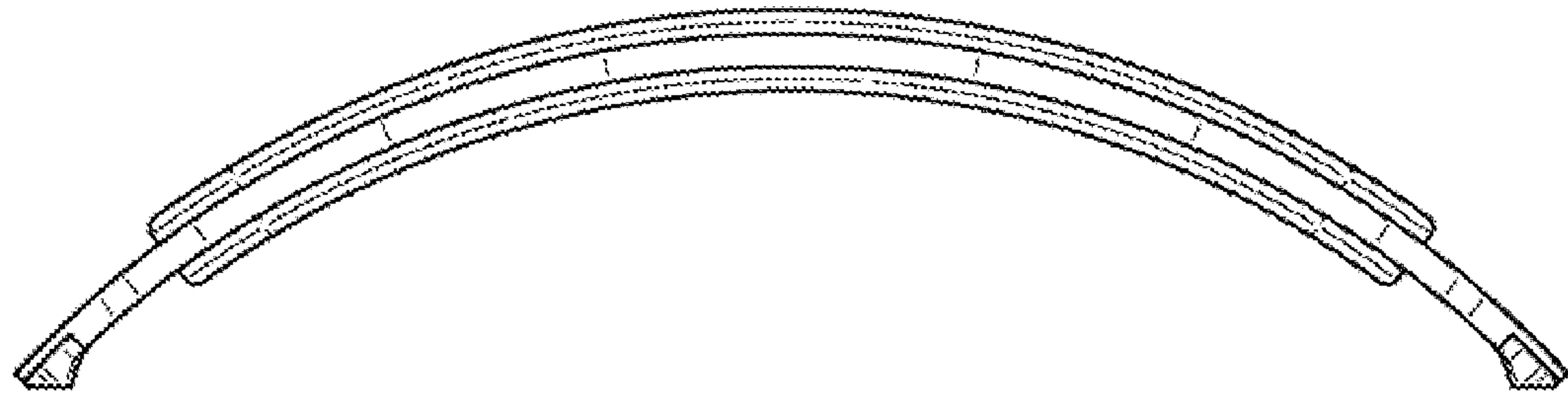
*FIG. 2*



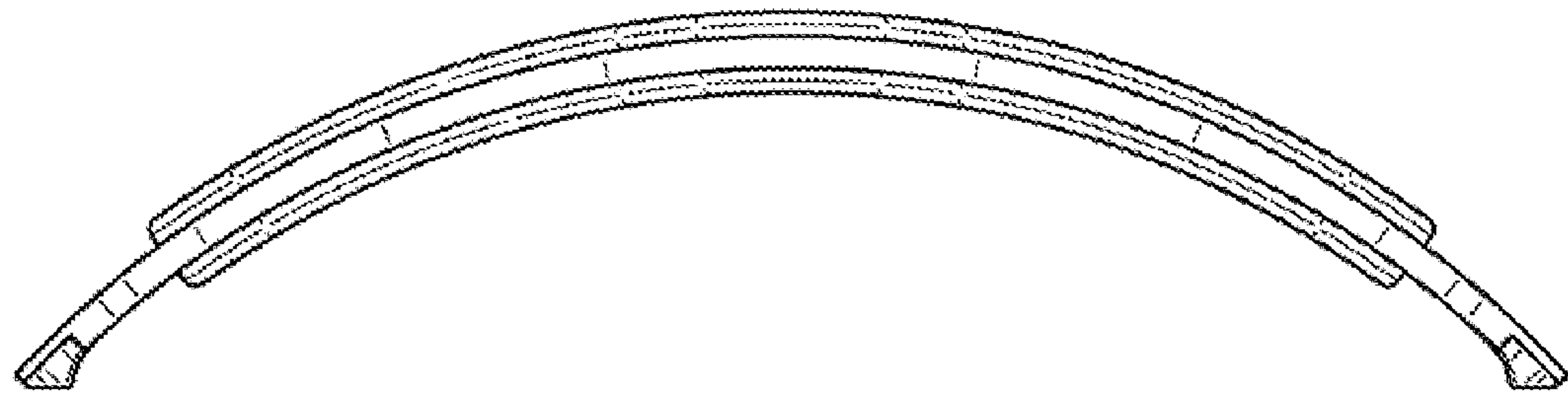
*FIG. 3*



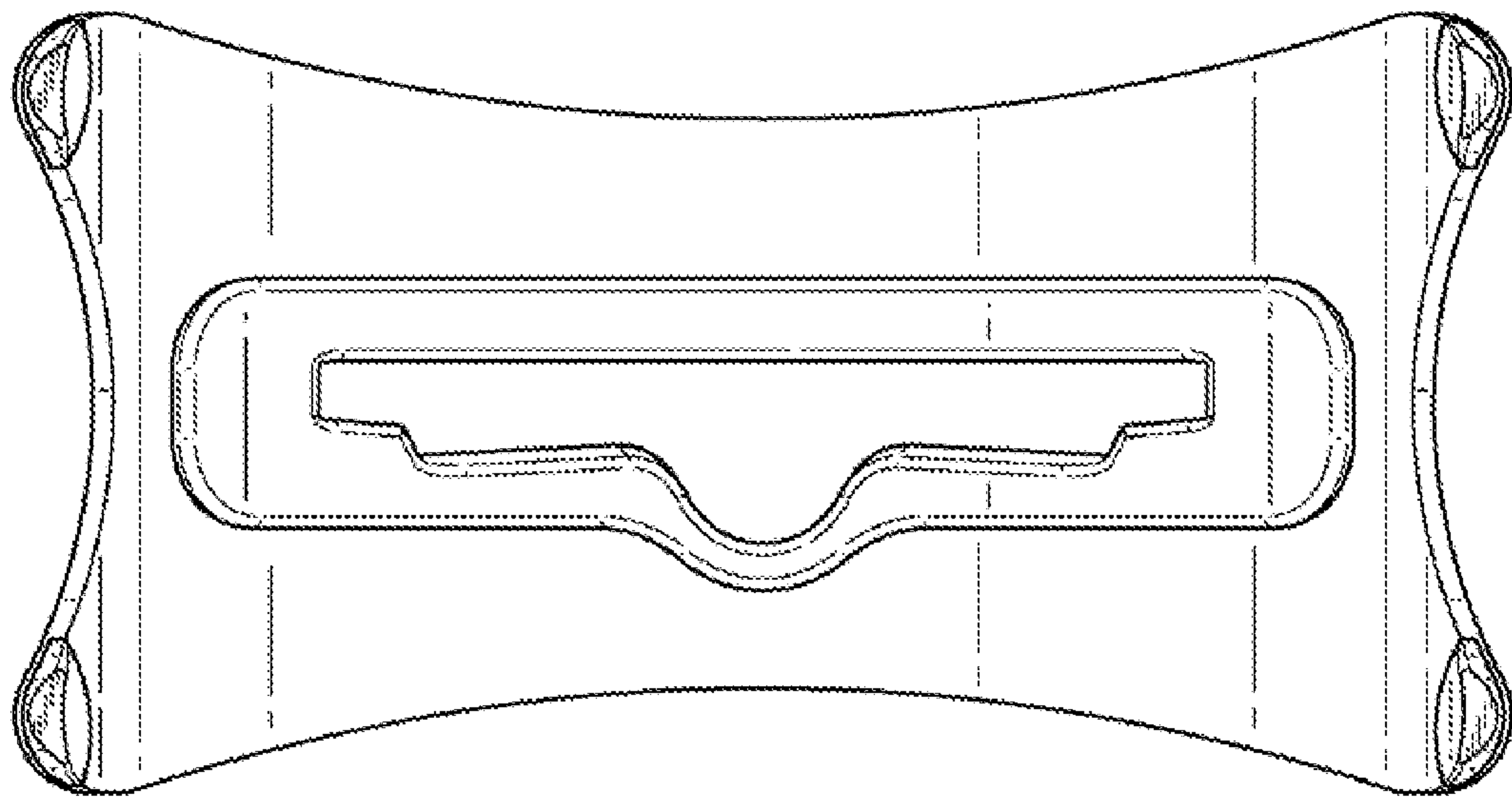
*FIG. 4*



*FIG. 5*



*FIG. 6*



*FIG. 7*