



US00D626558S

(12) **United States Design Patent**
Julien

(10) **Patent No.:** **US D626,558 S**

(45) **Date of Patent:** **** Nov. 2, 2010**

(54) **PDA BASE STATION**

(75) Inventor: **Olivier Julien**, Mérignac (FR)

(73) Assignee: **Implanet**, Martillac (FR)

(**) Term: **14 Years**

(21) Appl. No.: **29/350,852**

(22) Filed: **Nov. 24, 2009**

(30) **Foreign Application Priority Data**

May 26, 2009 (FR) 09 2509

(51) **LOC (9) Cl.** **14-02**

(52) **U.S. Cl.** **D14/434; D13/108**

(58) **Field of Classification Search** D14/434,
D14/447, 432, 385, 357, 149, 457, 253, 251,
D14/356, 137, 138, 107, 155; D13/199,
D13/107, 108, 118, 109, 110, 119, 184; D21/333,
D21/392; D19/65; D8/395; 24/303; 455/557,
455/556.1, 556.2, 573; 345/156, 901, 905;
439/374, 131, 529, 534, 929, 346, 31, 640;
235/472.01; 248/309.1, 221.11; 429/100
See application file for complete search history.

(56) **References Cited**

U.S. PATENT DOCUMENTS

D369,163 S * 4/1996 Leung et al. D14/150
D385,252 S * 10/1997 Snyder et al. D13/108
D460,446 S * 7/2002 Hughes et al. D14/253

D475,054 S * 5/2003 Blackwood et al. D14/434
D480,393 S * 10/2003 Toor et al. D14/253
D501,205 S * 1/2005 Quinn D14/253
D514,061 S * 1/2006 Butan et al. D13/108
D532,005 S * 11/2006 Leith D14/253
D535,615 S * 1/2007 Iwai D13/108
D561,763 S * 2/2008 Dinesh D14/434
D584,731 S * 1/2009 Montgomery et al. D14/434
D618,679 S * 6/2010 Reber D14/356

* cited by examiner

Primary Examiner—Cathron C Brooks

Assistant Examiner—Barbara Fox

(74) *Attorney, Agent, or Firm*—Banner & Witcoff, Ltd.

(57) **CLAIM**

The ornamental design for a PDA base station, as shown and described.

DESCRIPTION

FIG. 1 is a perspective view of a PDA base station showing the new design;

FIG. 2 is a front view thereof;

FIG. 3 is a rear view thereof;

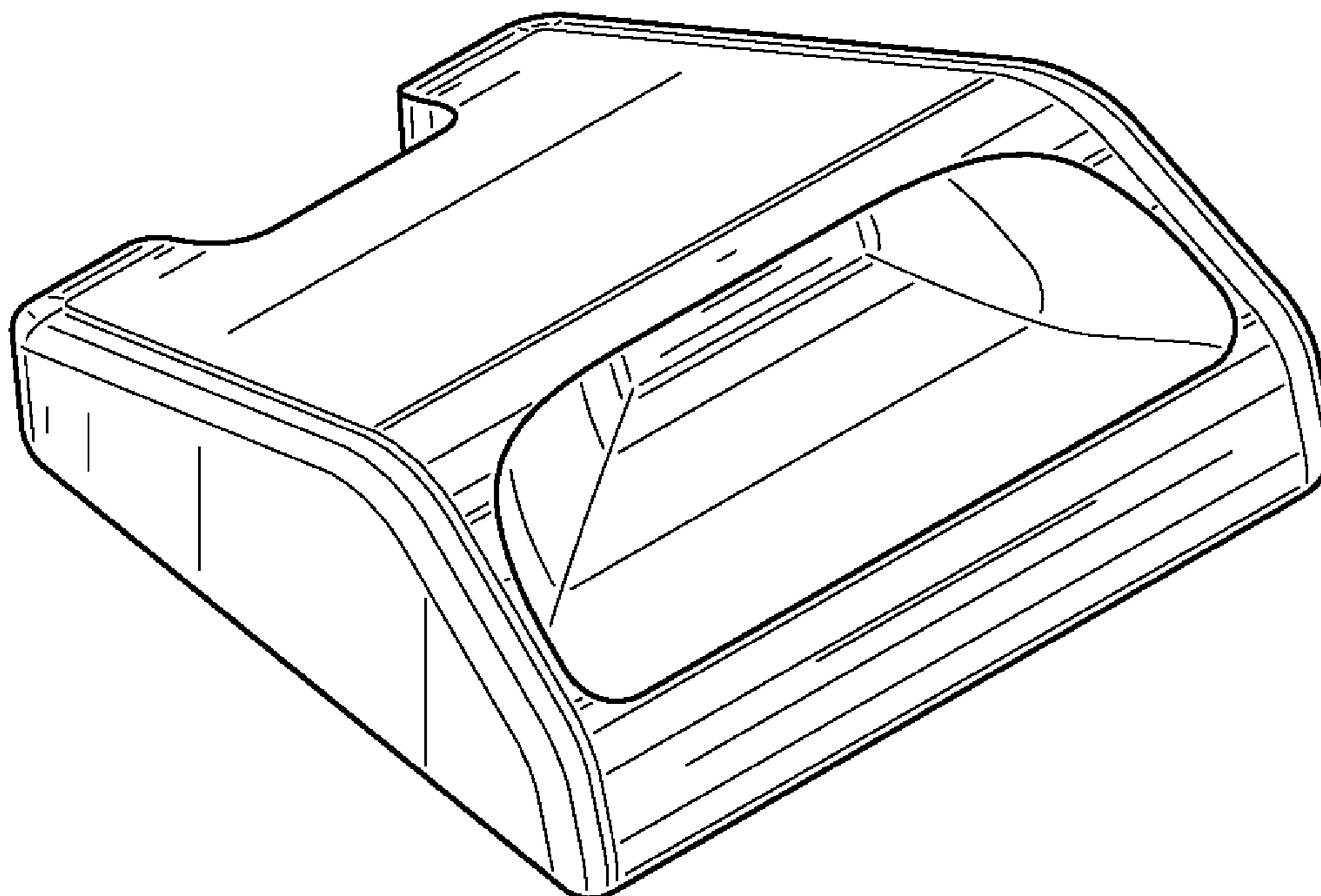
FIG. 4 is a first side view thereof;

FIG. 5 is a second side view thereof;

FIG. 6 is a top view thereof; and,

FIG. 7 is a bottom view thereof.

1 Claim, 4 Drawing Sheets



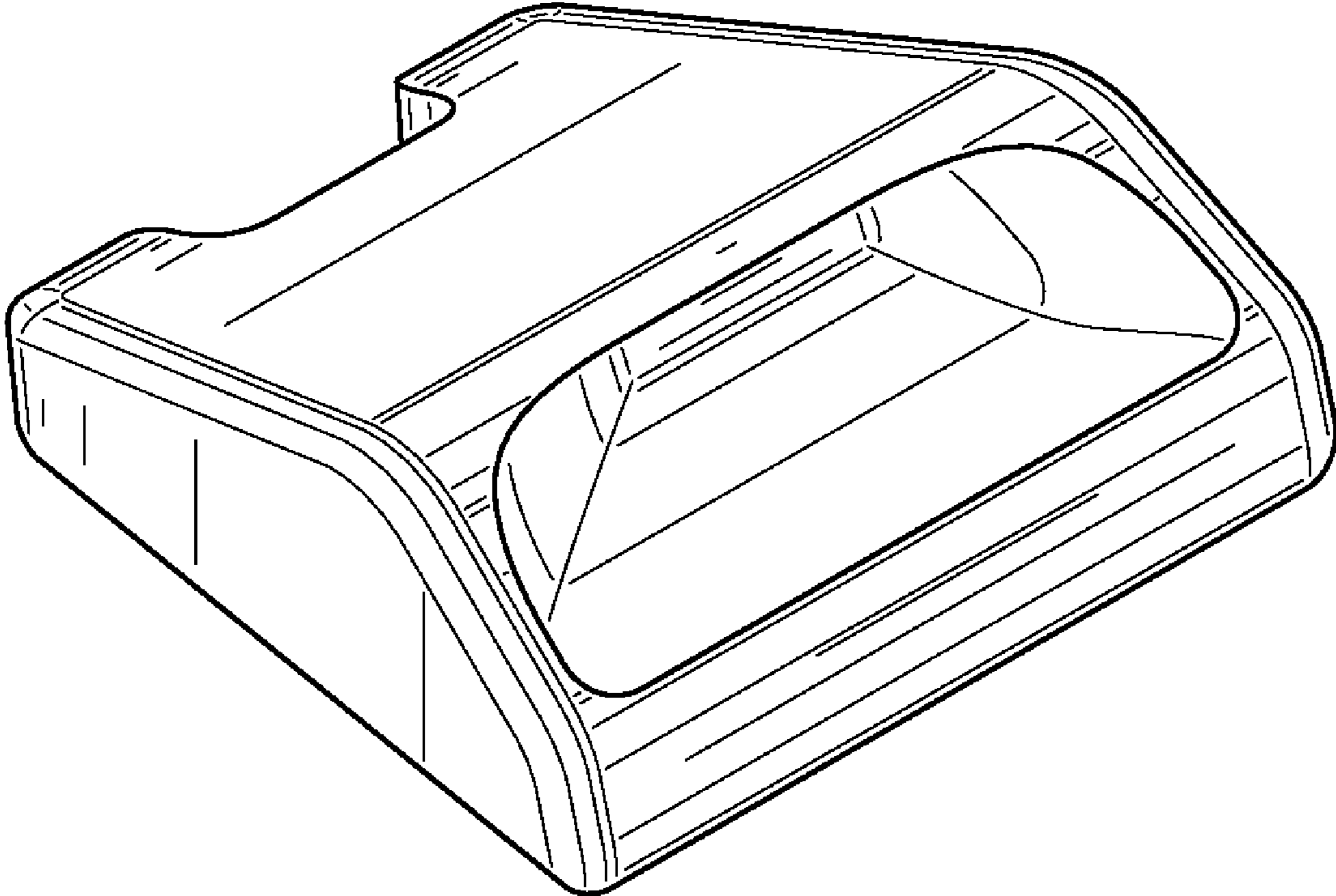


FIG. 1

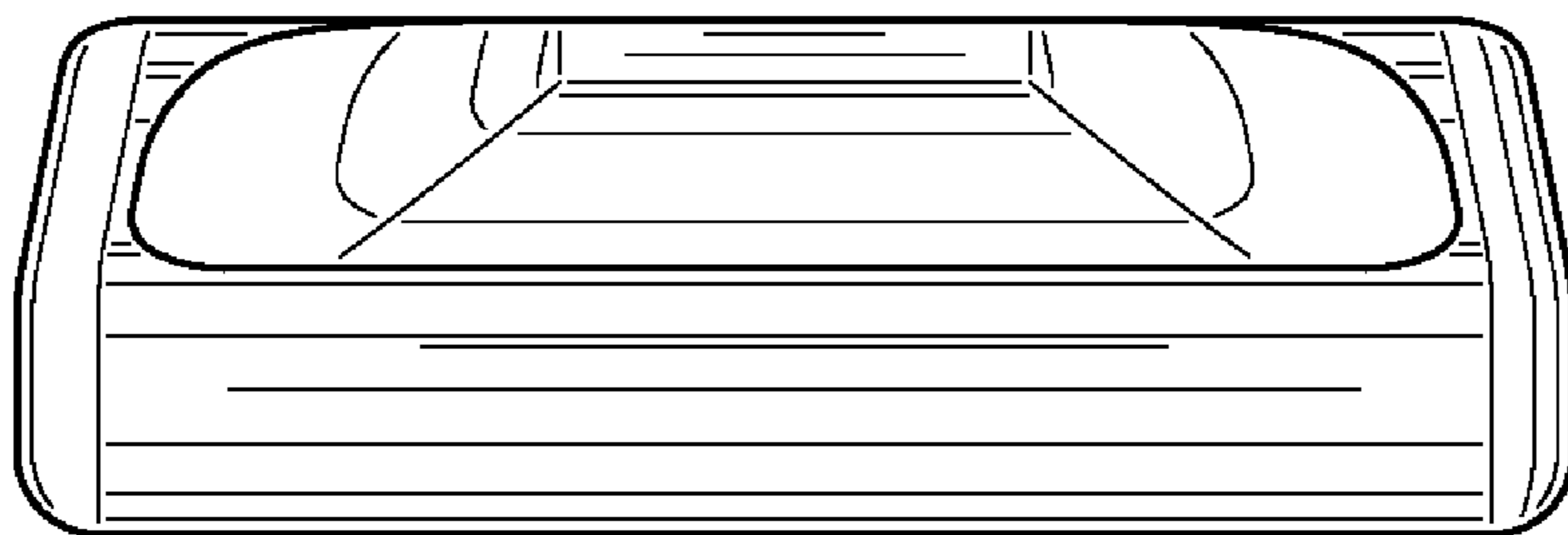


FIG. 2

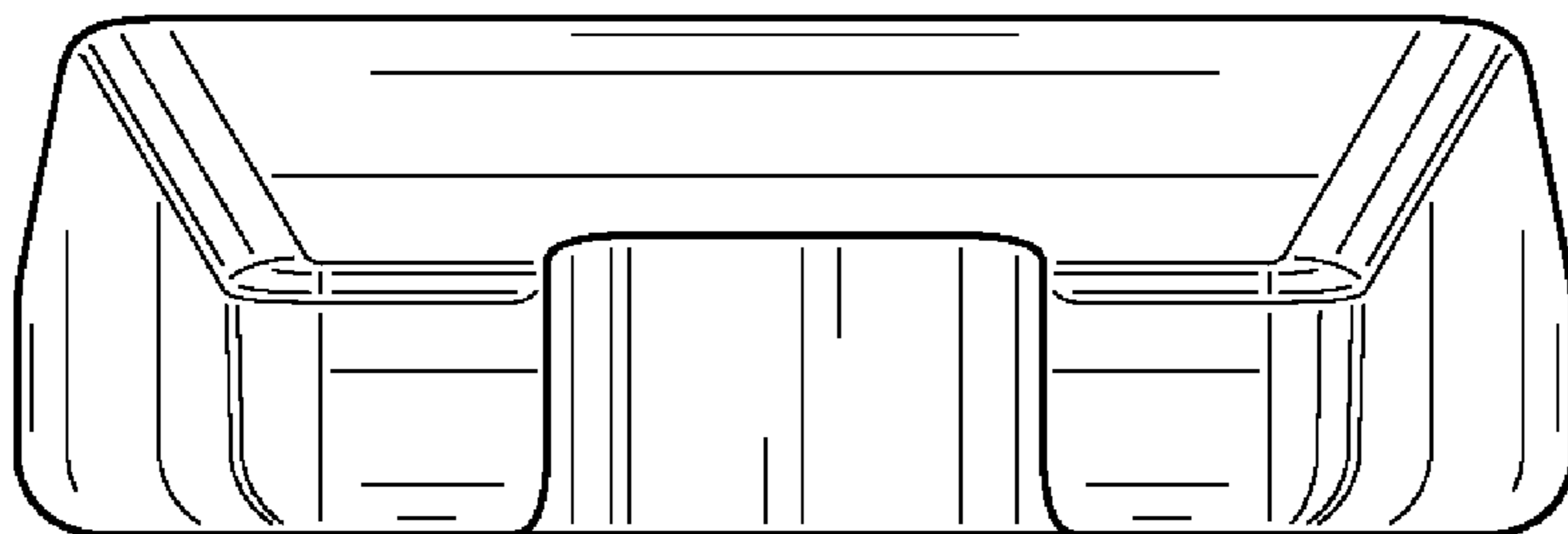


FIG. 3

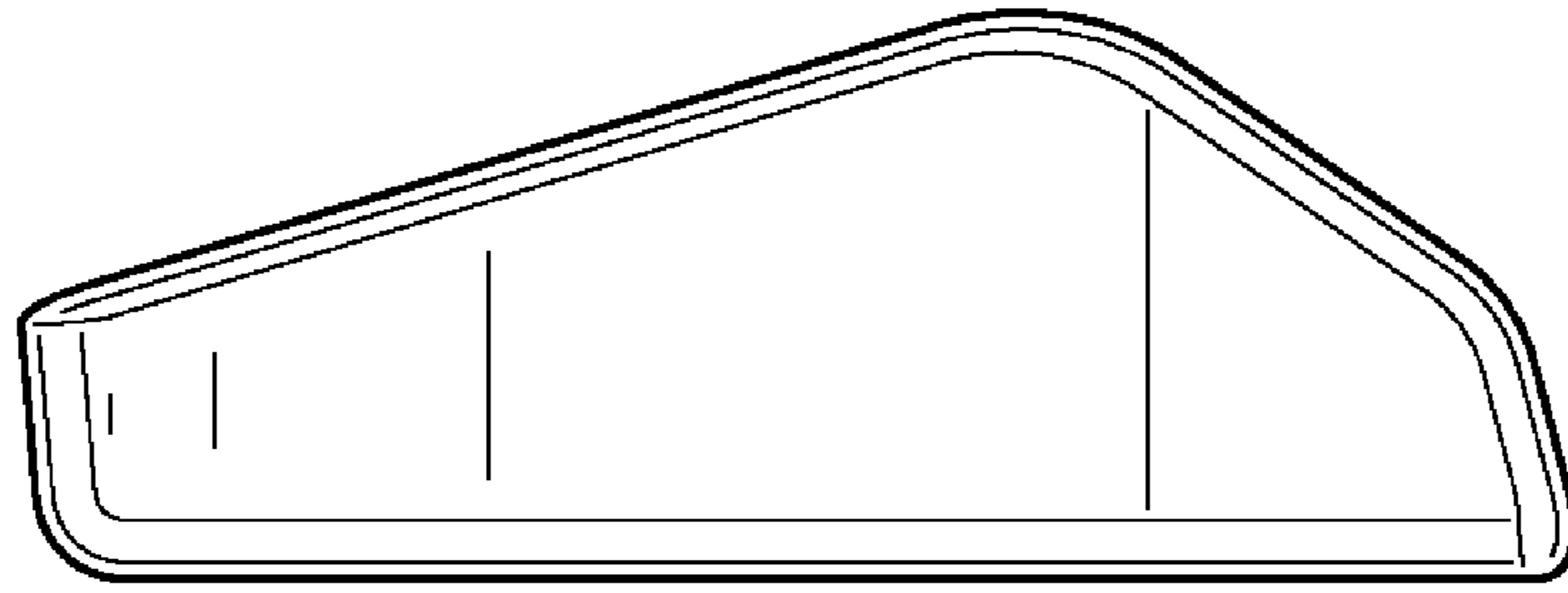


FIG. 4

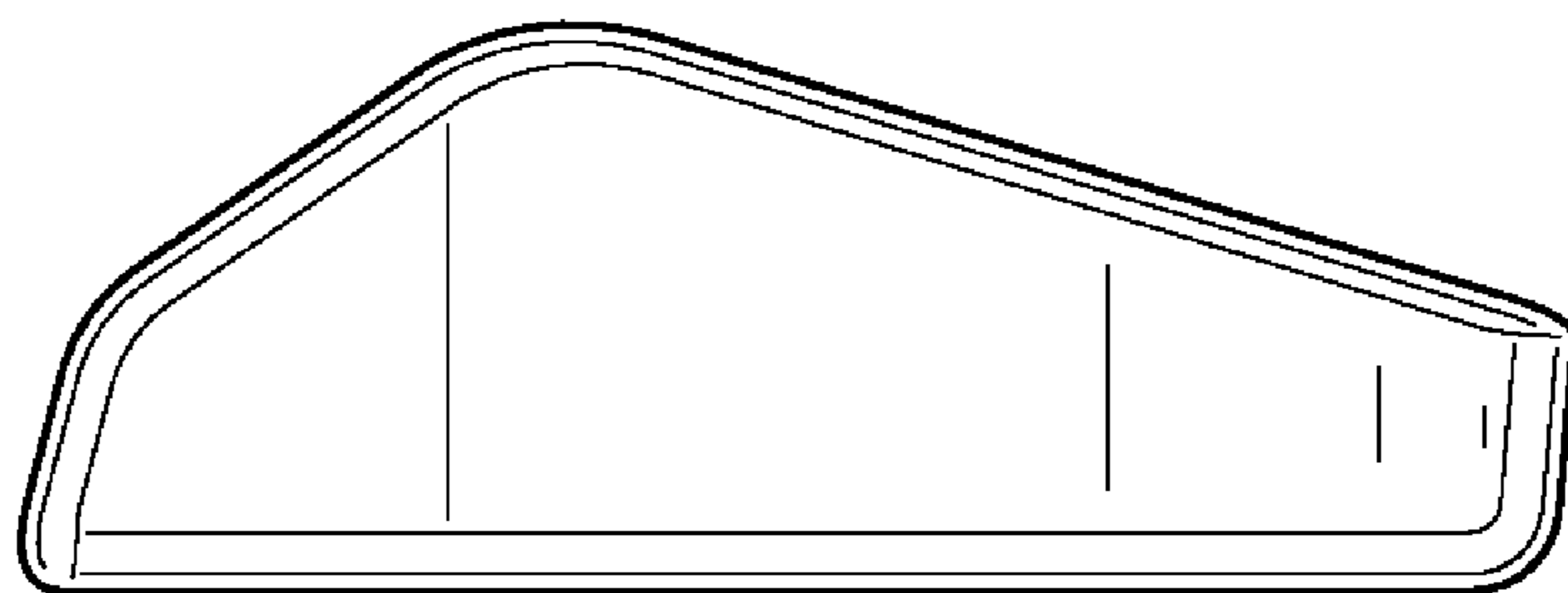


FIG. 5

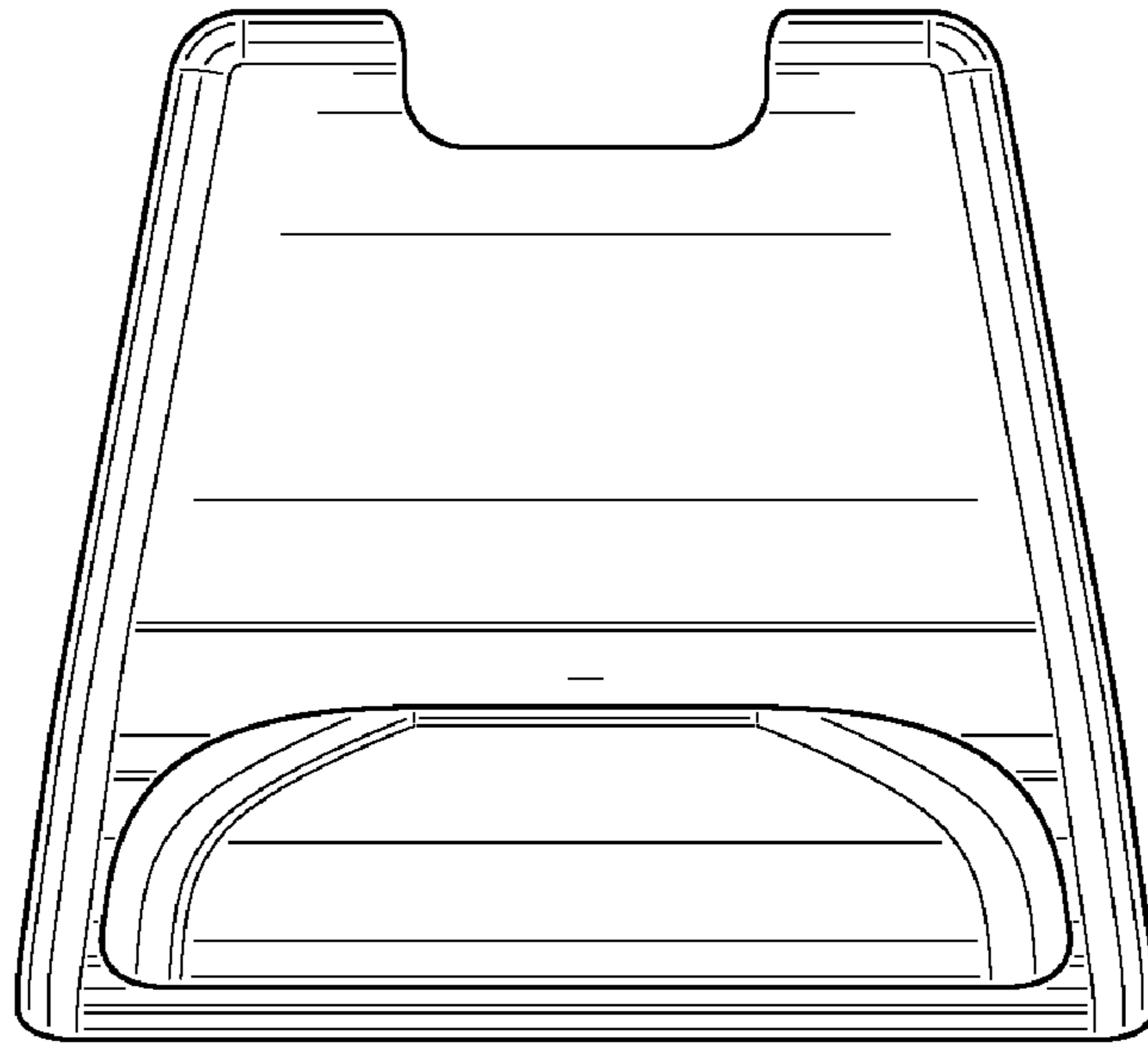


FIG. 6

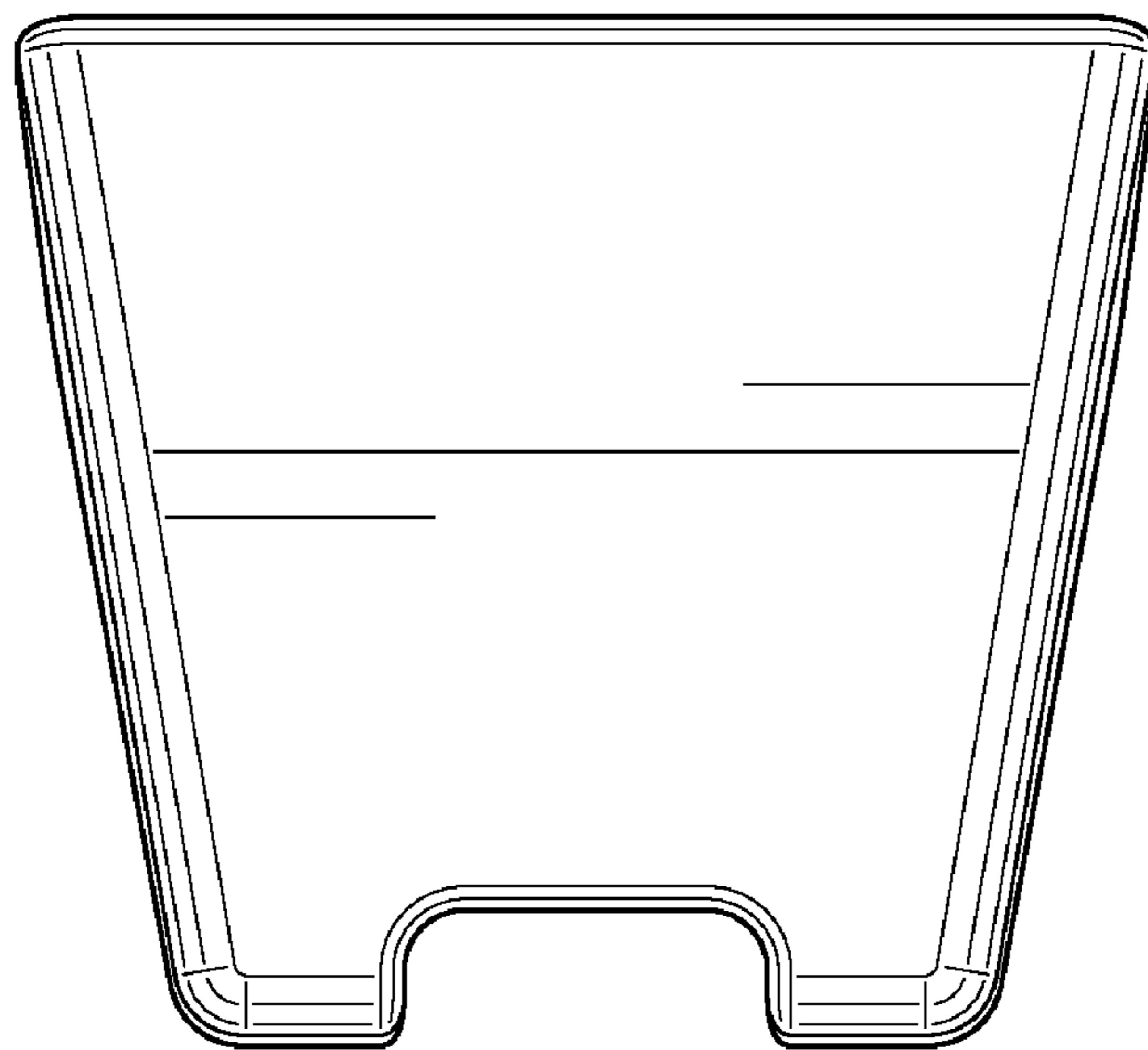


FIG. 7