



US00D626552S

(12) **United States Design Patent**
Andre et al.

(10) **Patent No.:** **US D626,552 S**
(45) **Date of Patent:** **** Nov. 2, 2010**

(54) **ELECTRONIC DEVICE**

(75) Inventors: **Bartley K. Andre**, Menlo Park, CA (US); **Daniel J. Coster**, San Francisco, CA (US); **Daniele De Iuliis**, San Francisco, CA (US); **Evans Hankey**, San Francisco, CA (US); **Richard P. Howarth**, San Francisco, CA (US); **Jonathan P. Ive**, San Francisco, CA (US); **Steve Jobs**, Palo Alto, CA (US); **Duncan Robert Kerr**, San Francisco, CA (US); **Shin Nishibori**, Portola Valley, CA (US); **Matthew Dean Rohrbach**, San Francisco, CA (US); **Peter Russell-Clarke**, San Francisco, CA (US); **Douglas B. Satzger**, Menlo Park, CA (US); **Christopher J. Stringer**, Woodside, CA (US); **Eugene Antony Whang**, San Francisco, CA (US); **Rico Zorkendorfer**, San Francisco, CA (US)

(73) Assignee: **Apple Inc.**, Cupertino, CA (US)

(**) Term: **14 Years**

(21) Appl. No.: **29/356,013**

(22) Filed: **Feb. 18, 2010**

Related U.S. Application Data

(60) Division of application No. 29/330,323, filed on Jan. 5, 2009, now Pat. No. Des. 611,470, which is a continuation of application No. 29/330,161, filed on Dec. 30, 2008, now Pat. No. Des. 590,826.

(51) **LOC (9) Cl.** **14-02**

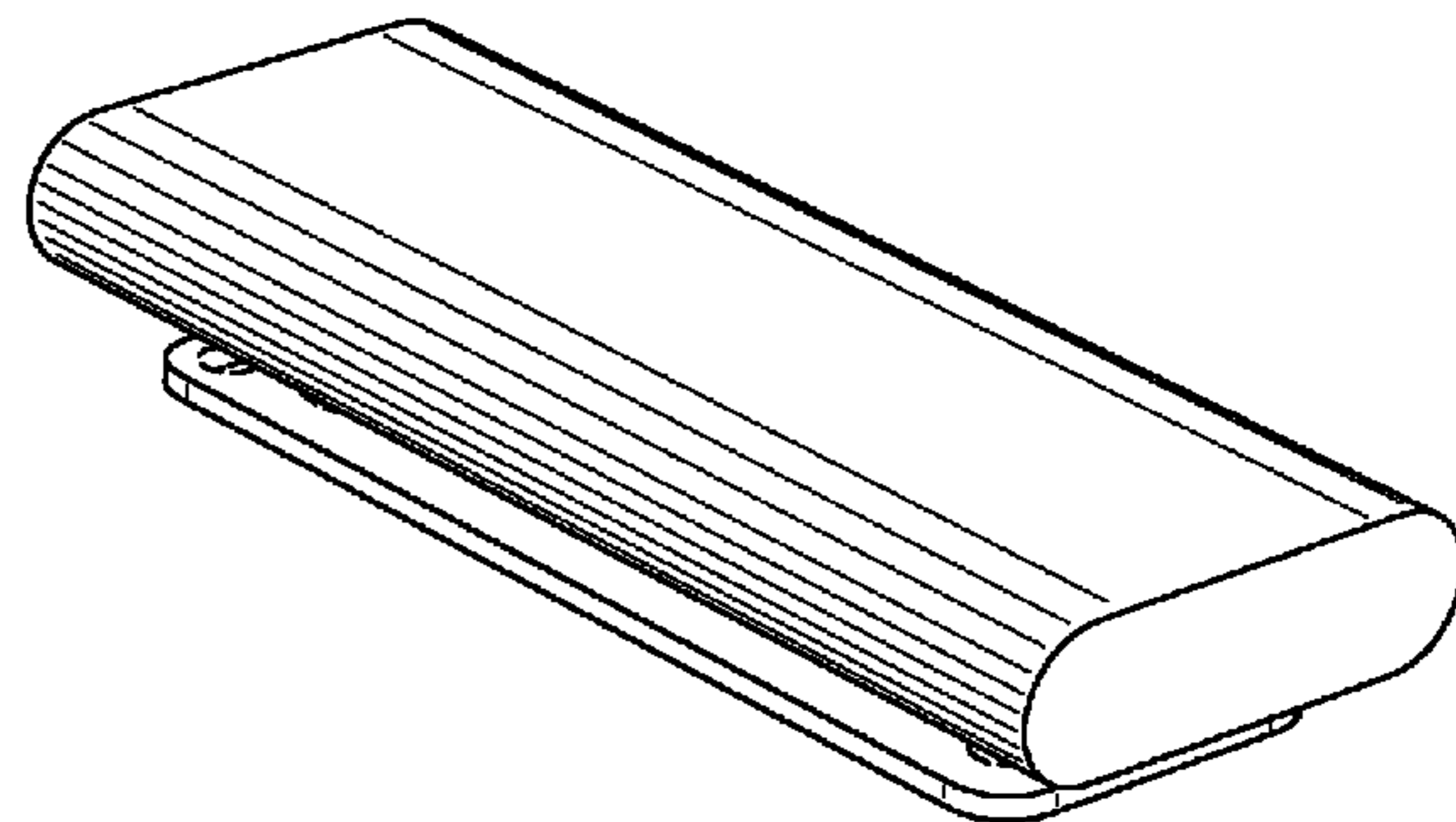
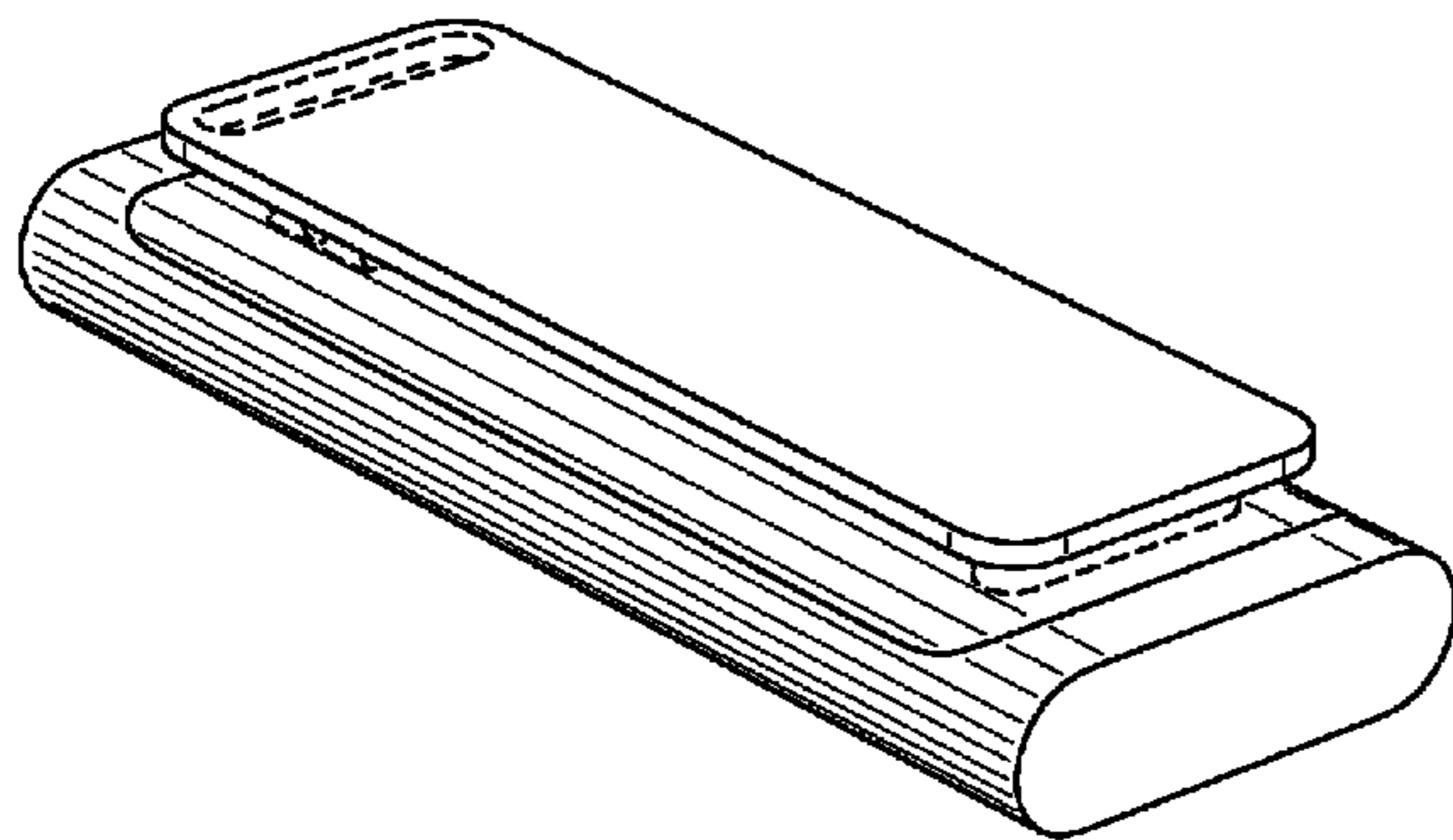
(52) **U.S. Cl.** **D14/341; D14/496**

(58) **Field of Classification Search** D14/341-347, D14/137, 138, 138.1, 138 AA, 138 R, 138 AB, D14/138 AC, 138 AD, 138 C, 138 G, 496, D14/203.1, 203.3, 203.4, 203.5, 203.6, 203.7, D14/426, 427, 428, 432, 429, 129, 130, 420, D14/439-441, 448, 125, 147, 156, 218, 247-248, D14/250, 389, 336; D10/65, 104; D18/6-7; D21/29, 686, 33, 324, 329, 330; D6/596, D6/601, 605; D19/60; 345/169, 901, 905; 348/169; 361/814; 341/122; 346/173; 379/433.04, 379/433.07, 433.11, 433.12, 433.13, 910, 379/916, 433.01, 433.06
See application file for complete search history.

(56) **References Cited**

U.S. PATENT DOCUMENTS

2,521,423 A	9/1950	Stuck	
3,851,123 A	11/1974	Lipinski et al.	
4,359,220 A	11/1982	Morrison et al.	
D303,137 S	8/1989	Brown	
D306,519 S	3/1990	Nakata	
D344,511 S	2/1994	Ansai et al.	
D345,304 S	3/1994	Leader	
D350,752 S	9/1994	Yuen	
5,551,079 A	8/1996	Panther et al.	
D379,809 S	6/1997	Lindeman	
5,664,292 A *	9/1997	Chen	24/3.11
D393,260 S	4/1998	Yahaya	
D396,860 S	8/1998	Yasutomi	
D421,261 S	2/2000	Heuel	
D425,885 S	5/2000	Amron	
6,122,526 A	9/2000	Parulski et al.	
D432,523 S	10/2000	Grinkus et al.	
D438,525 S	3/2001	Katayama	
D441,735 S *	5/2001	Katayama	D14/203.7
D446,499 S	8/2001	Andre et al.	
D475,850 S	6/2003	Andre et al.	
D480,372 S	10/2003	Chen et al.	
D500,309 S	12/2004	Borsboom	



US D626,552 S

Page 2

D503,409 S 3/2005 Wong et al.
D503,532 S * 4/2005 Andre et al. D3/218
D515,545 S * 2/2006 Griffin D14/155
7,013,164 B2 * 3/2006 Lin 455/557
D520,502 S * 5/2006 Xu et al. D14/356
D529,512 S 10/2006 Reawsanguanwong
D530,342 S 10/2006 Lee et al.
D531,190 S 10/2006 Lee et al.
D531,619 S 11/2006 Chau
D534,184 S 12/2006 Leija et al.
D534,545 S 1/2007 Leija et al.
D534,921 S 1/2007 Andre et al.
D539,814 S * 4/2007 Andre et al. D14/203.3
D550,714 S 9/2007 Ferraboshi
D551,680 S 9/2007 Andre et al.
D555,171 S * 11/2007 Dai D14/496
D556,155 S 11/2007 Andre et al.
D559,860 S * 1/2008 Andre et al. D14/496
D560,687 S 1/2008 Kim et al.
D565,596 S 4/2008 Kim
D566,101 S 4/2008 Griffin et al.
D568,338 S * 5/2008 Andre et al. D14/496
D570,876 S * 6/2008 Lee D14/496
D574,014 S 7/2008 Dai
D575,304 S 8/2008 Andre et al.
D577,990 S 10/2008 Andre et al.
D578,140 S 10/2008 Sheba et al.
D579,952 S 11/2008 Yamada
D580,456 S 11/2008 Oh et al.
D580,953 S 11/2008 Andre et al.
D582,417 S 12/2008 Sheba et al.
D585,077 S 1/2009 Sheba et al.
D586,740 S 2/2009 Song
D586,741 S * 2/2009 Song D13/103
D588,545 S * 3/2009 Andre et al. D13/154
D592,677 S 5/2009 Sheba et al.
D597,090 S 7/2009 Bemelmans
D606,040 S * 12/2009 Andre et al. D14/203.7
D607,898 S * 1/2010 Lee D14/496
D618,206 S * 6/2010 Andre et al. D14/203.7
D618,207 S * 6/2010 Andre et al. D14/203.7
2005/0049015 A1 * 3/2005 Wang 455/575.1

FOREIGN PATENT DOCUMENTS

CN 3513646D 3/2006

CN 3543434D 7/2006
EM 000898465-0001 3/2008
KR 30-0328287 6/2003

OTHER PUBLICATIONS

“Search Report for New Design Patnt [sic] Application,” completed May 19, 2010 in ROC (Taiwan) New Design Patent Application No. 098301296. 1 page.

* cited by examiner

Primary Examiner—Cathron C Brooks

Assistant Examiner—Barbara Fox

(74) *Attorney, Agent, or Firm*—Sterne, Kessler, Goldstein & Fox PLLC

(57) CLAIM

The ornamental design for an electronic device, as shown and described.

DESCRIPTION

FIG. 1 is a bottom front perspective view of an electronic device showing our new design;

FIG. 2 is a bottom rear perspective view thereof;

FIG. 3 is top front perspective view thereof;

FIG. 4 is top rear perspective view thereof;

FIG. 5 is a front view thereof;

FIG. 6 is a rear view thereof;

FIG. 7 is a bottom view thereof;

FIG. 8 is top view thereof;

FIG. 9 is a right side view thereof; and,

FIG. 10 is a left side view thereof.

The shade lines in the Figures show contour and not surface ornamentation.

The dotted lines in the Figures are portions of the electronic device that form no part of the claimed design.

1 Claim, 4 Drawing Sheets

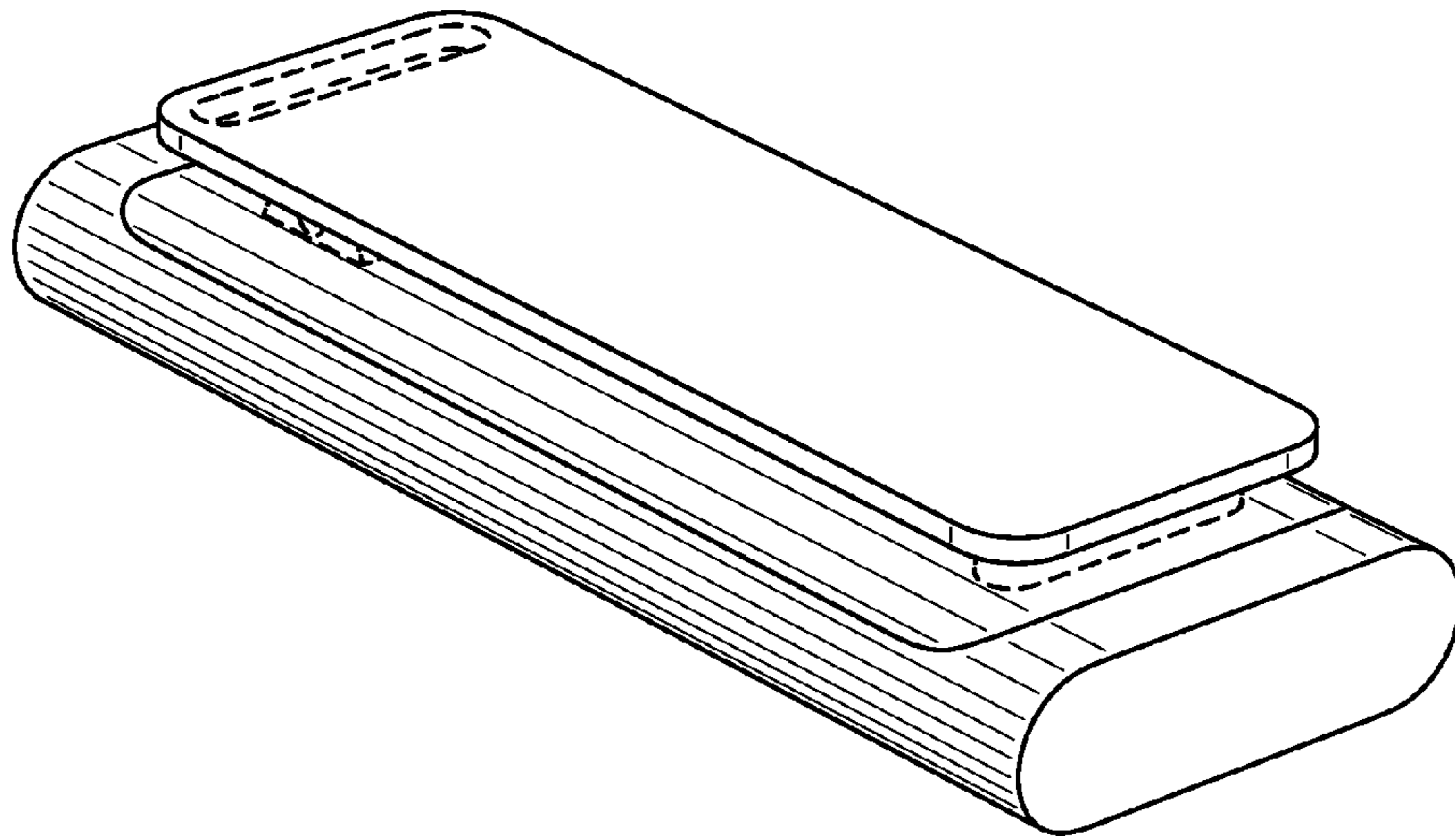


FIG. 1

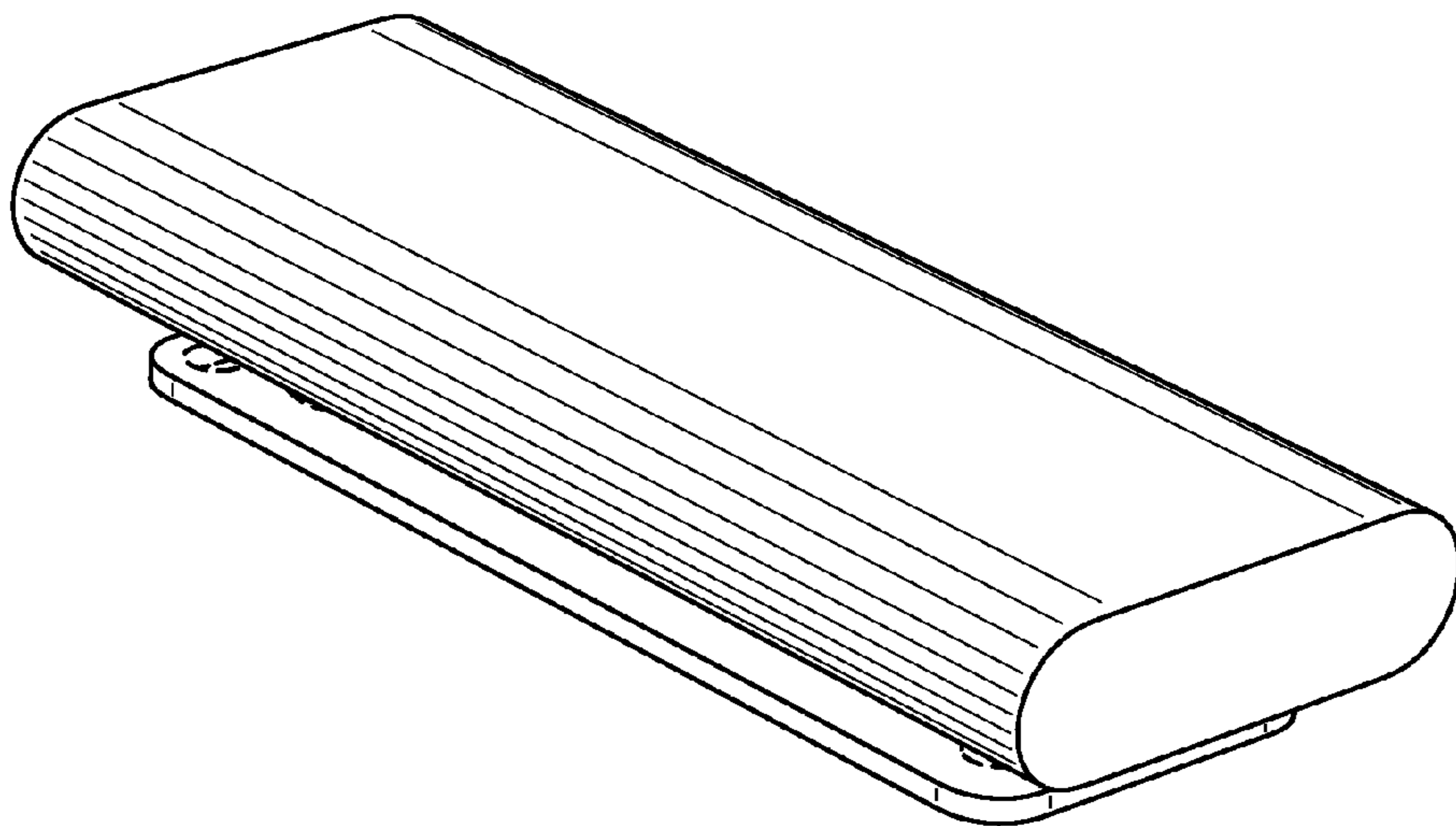


FIG. 2

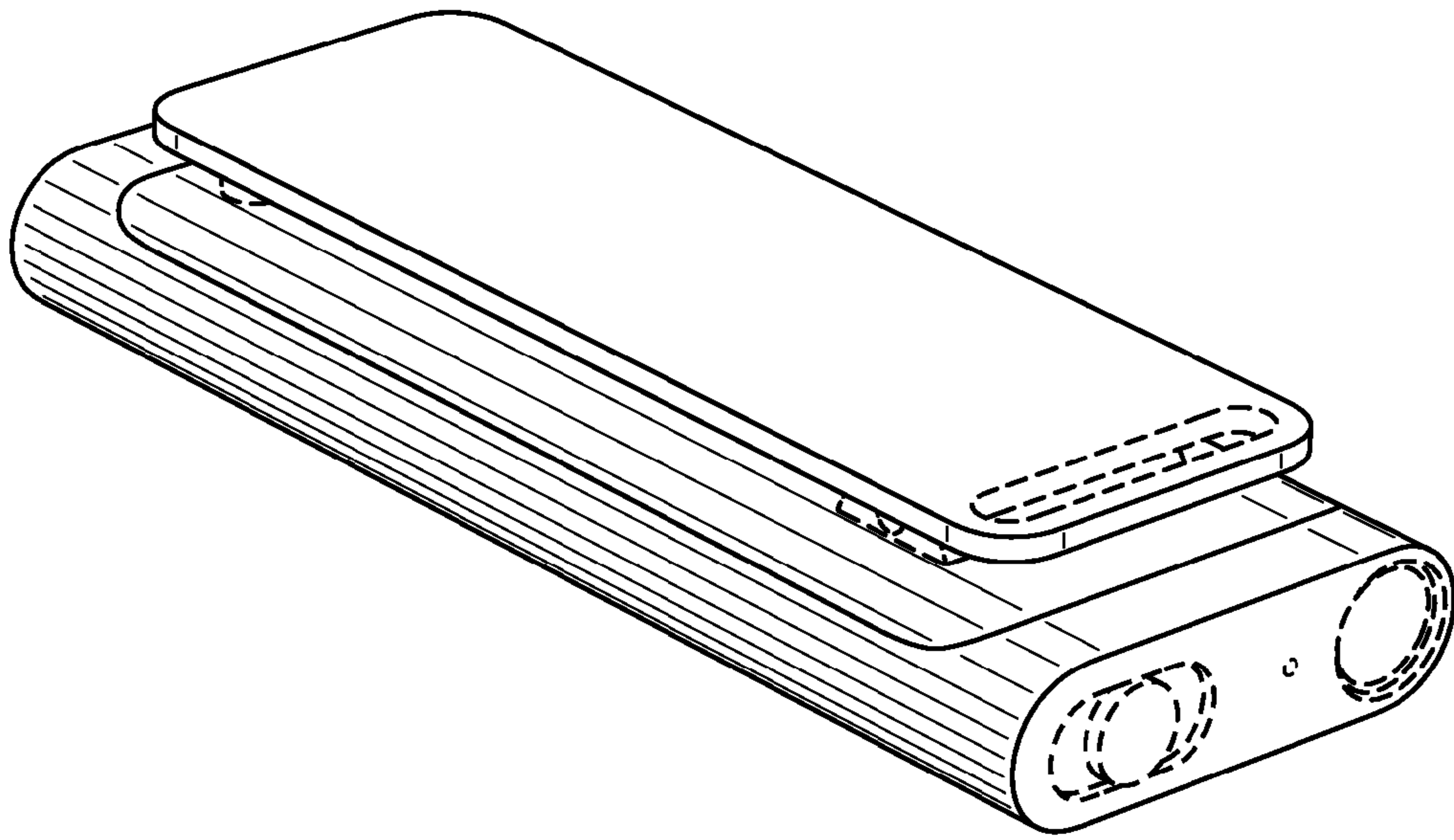


FIG. 3

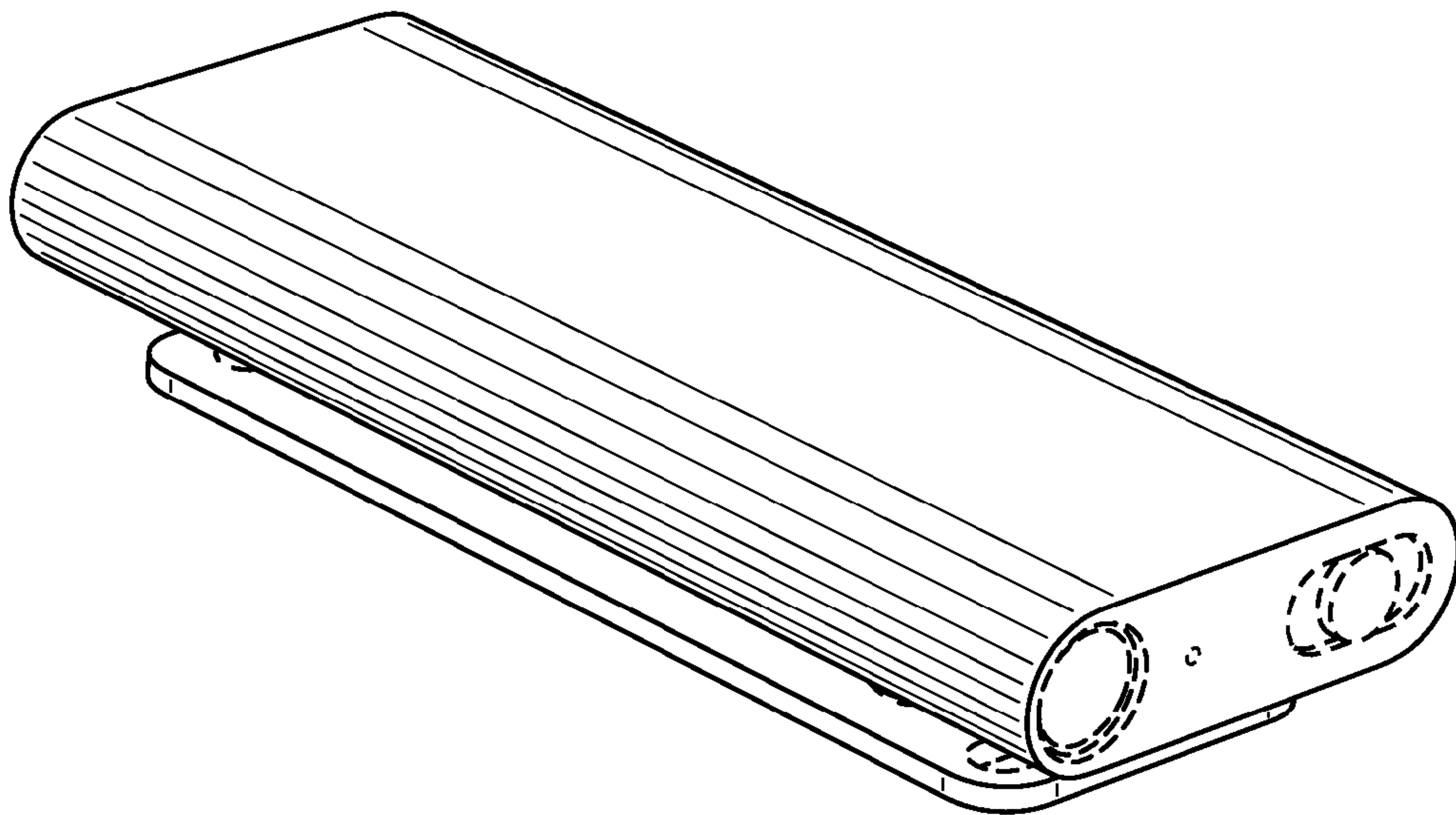


FIG. 4

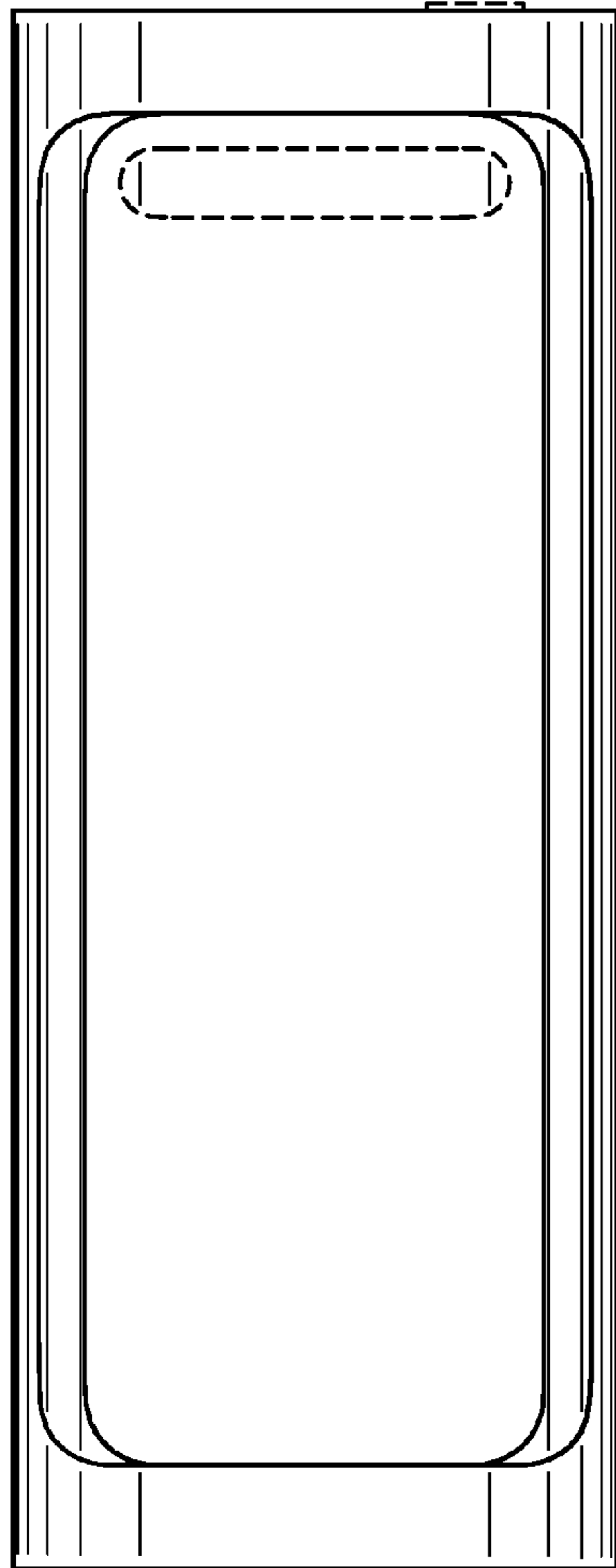


FIG. 5

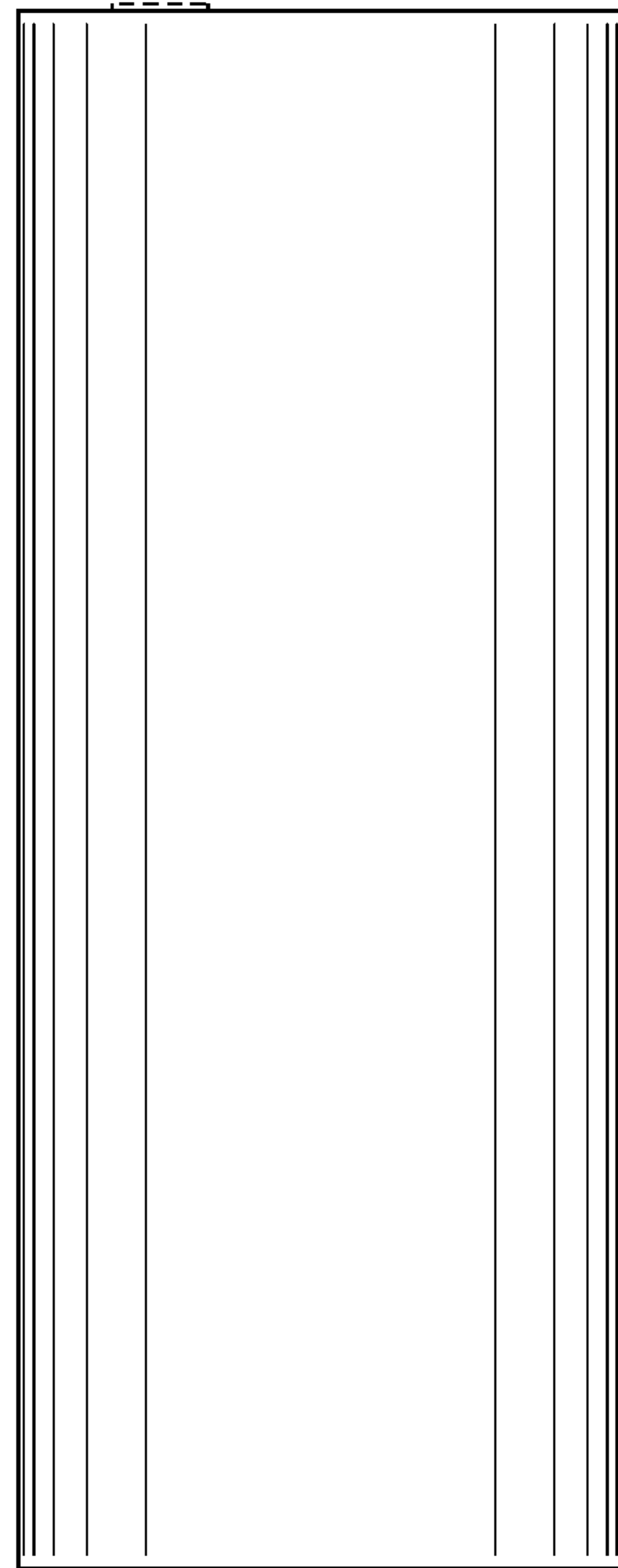


FIG. 6

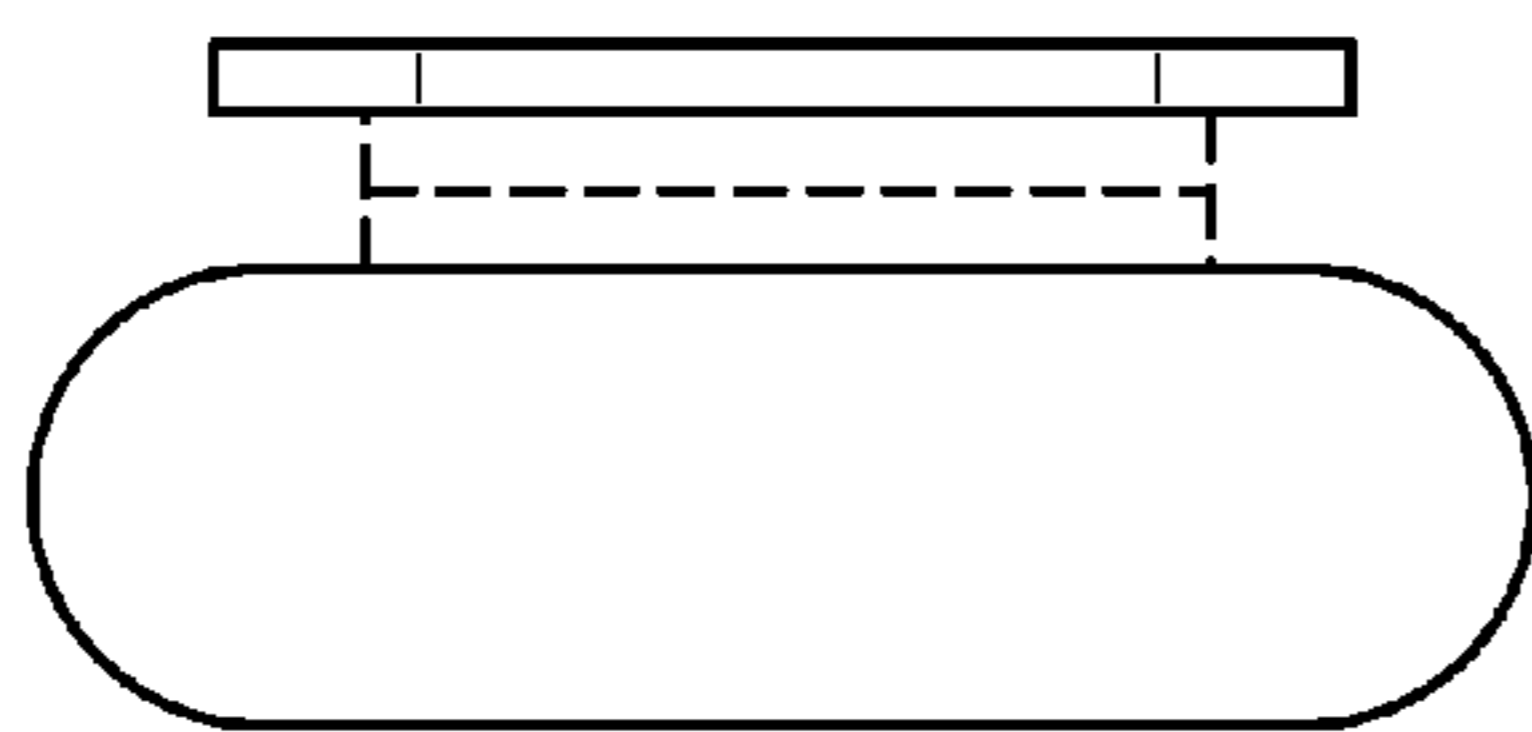


FIG. 7

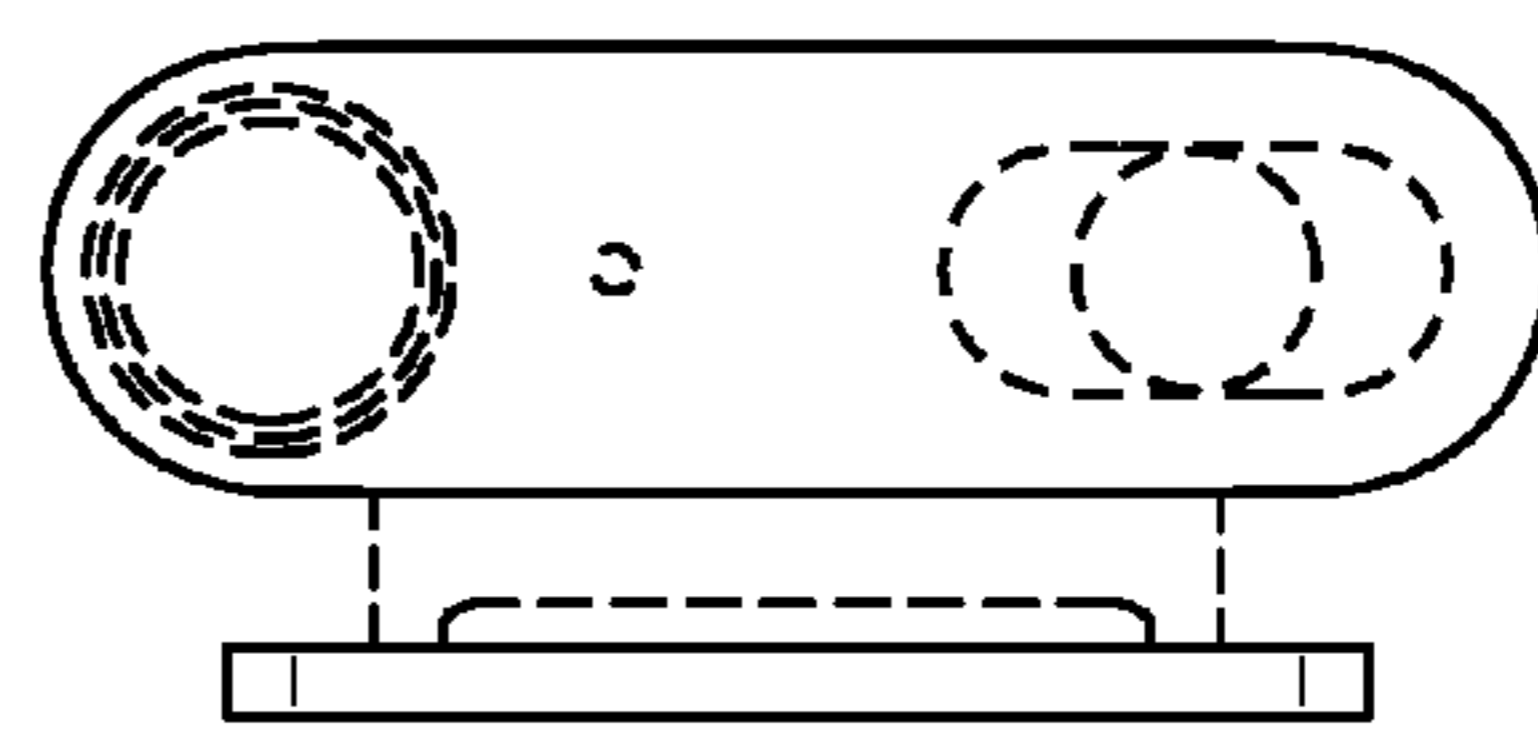


FIG. 8

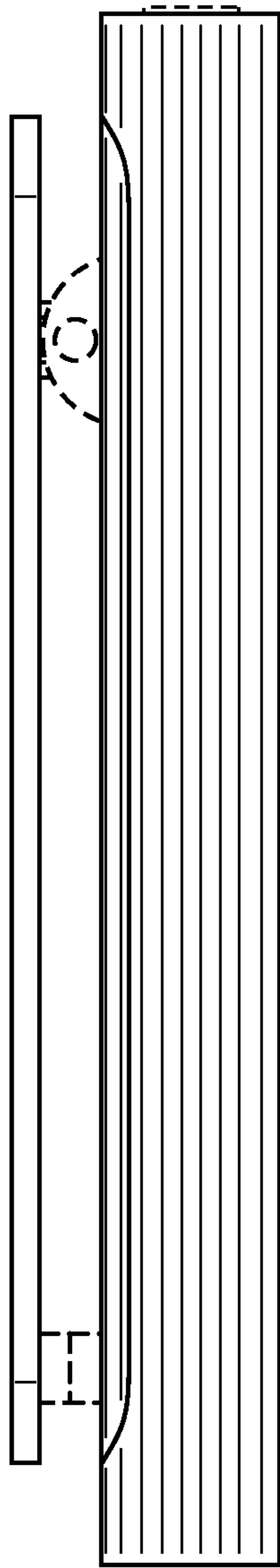


FIG. 9

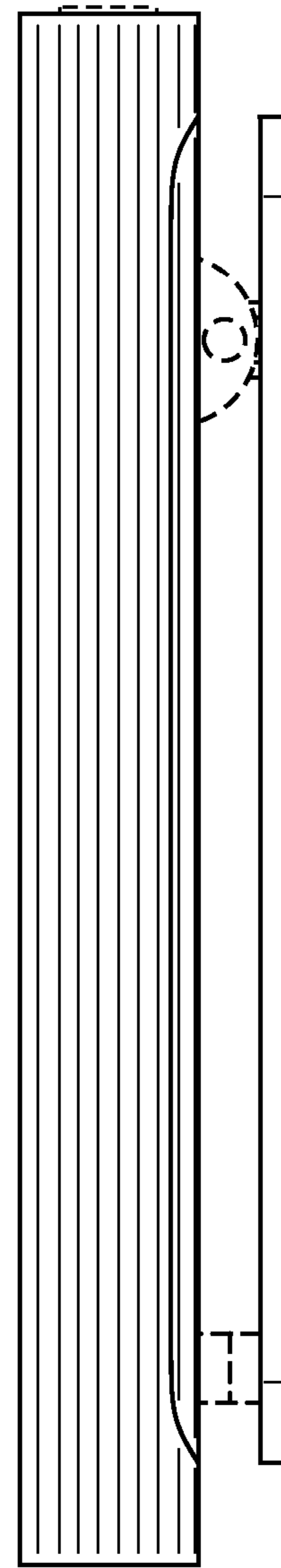


FIG. 10