



US00D626547S

(12) **United States Design Patent**  
**Li et al.**

(10) **Patent No.:** **US D626,547 S**  
(45) **Date of Patent:** **\*\* Nov. 2, 2010**

(54) **NOTEBOOK COMPUTER**

(75) Inventors: **Jian Li**, Shenzhen (CN); **Lian-Cheng Huang**, Shenzhen (CN); **Han-Zheng Zhang**, Shenzhen (CN)

(73) Assignee: **Hon Hai Precision Industry Co., Ltd.**, Tu-Cheng, Taipei Hsien (TW)

(\*\*) Term: **14 Years**

(21) Appl. No.: **29/353,089**

(22) Filed: **Dec. 31, 2009**

(51) **LOC (9) Cl.** ..... **14-02**

(52) **U.S. Cl.** ..... **D14/316**

(58) **Field of Classification Search** ..... D14/315–327, D14/125–127, 371, 373, 306; D18/1, 2, D18/7, 11; 235/145 A, 145 R; 341/22, 23; 345/156, 168, 169, 172; 361/679.04–679.09, 361/679.15, 679.16, 679.26, 679.27  
See application file for complete search history.

(56) **References Cited**

**U.S. PATENT DOCUMENTS**

5,224,060	A *	6/1993	Ma	.....	361/679.09
5,255,214	A *	10/1993	Ma	.....	361/679.06
5,267,123	A *	11/1993	Boothroyd et al.	.....	361/679.09
5,900,848	A *	5/1999	Haneda et al.	.....	345/1.1
6,262,885	B1 *	7/2001	Emma et al.	.....	361/679.05
6,384,811	B1 *	5/2002	Kung et al.	.....	345/168
6,392,877	B1 *	5/2002	Iredale	.....	361/679.05
6,464,195	B1 *	10/2002	Hildebrandt	.....	248/460
6,665,175	B1 *	12/2003	deBoer et al.	.....	361/679.06
6,842,338	B2 *	1/2005	Iredale	.....	361/679.06
D528,541	S *	9/2006	Maskatia	.....	D14/315
D535,292	S *	1/2007	Shi et al.	.....	D14/315
7,203,058	B2 *	4/2007	Hong	.....	361/679.06
7,283,355	B2 *	10/2007	Han	.....	361/679.55
2005/0018396	A1 *	1/2005	Nakajima et al.	.....	361/683

2005/0041378	A1 *	2/2005	Hamada et al.	.....	361/680
2005/0063145	A1 *	3/2005	Homer et al.	.....	361/683
2005/0083644	A1 *	4/2005	Song	.....	361/683
2005/0128695	A1 *	6/2005	Han	.....	361/683

**FOREIGN PATENT DOCUMENTS**

KR	300360022	8/2004
TW	D122982	5/2008

\* cited by examiner

*Primary Examiner*—Freda S Nunn

(74) *Attorney, Agent, or Firm*—Clifford O. Chi

(57) **CLAIM**

The ornamental design for a notebook computer, as shown and described.

**DESCRIPTION**

FIG. 1 is a perspective view of a notebook computer showing our new design;

FIG. 2 is a front elevational view thereof;

FIG. 3 is a rear elevational view thereof;

FIG. 4 is a left side elevational view thereof;

FIG. 5 is a right side elevational view thereof;

FIG. 6 is a top plan view thereof;

FIG. 7 is a bottom plan view thereof;

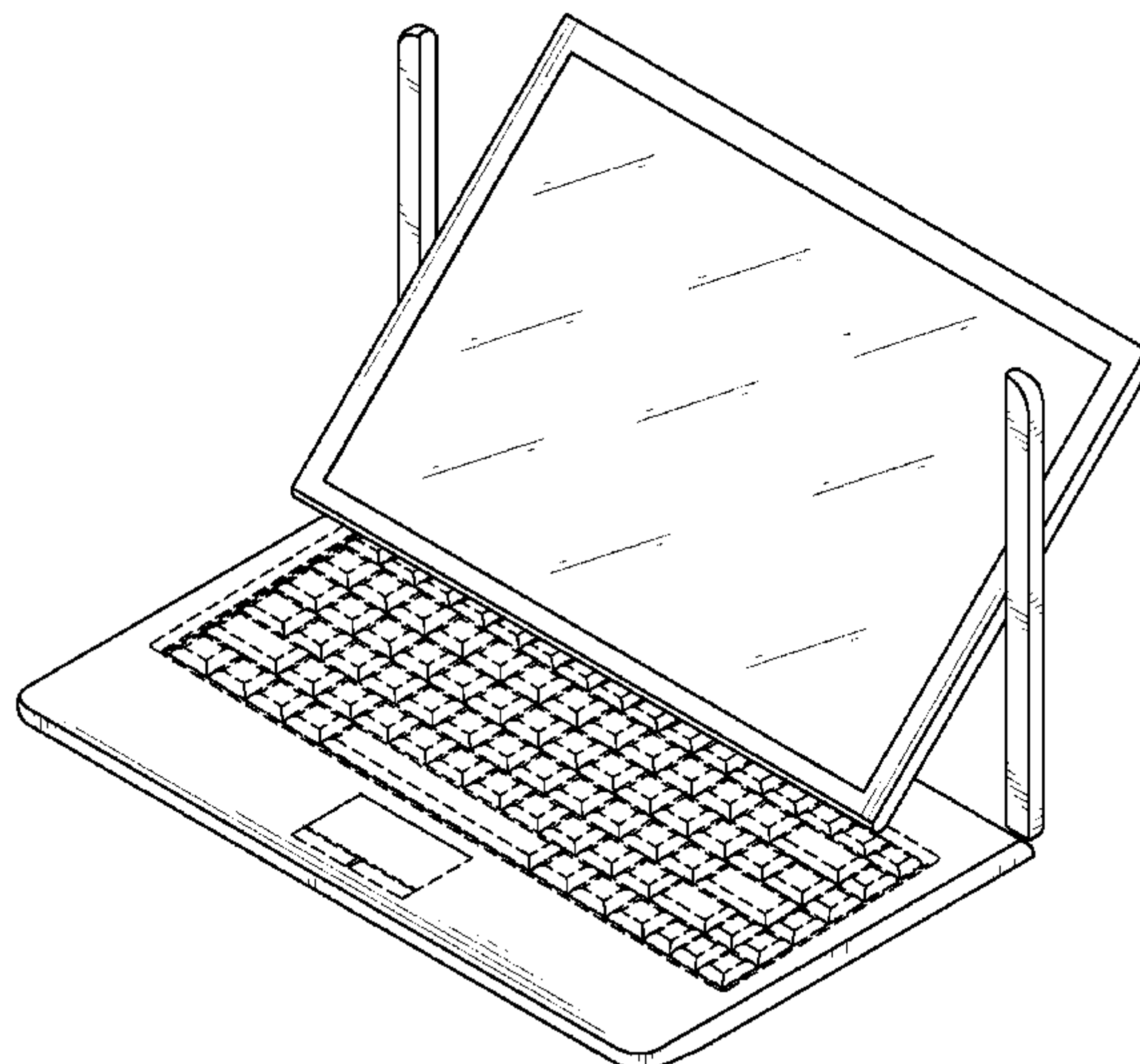
FIG. 8 shows a first operating state of the notebook computer of FIG. 1;

FIG. 9 shows a second operating state of the notebook computer of FIG. 1; and,

FIG. 10 shows a third operating state of the notebook computer of FIG. 1.

Broken lines are for illustrative purposes only and form no part of the claimed design.

**1 Claim, 10 Drawing Sheets**



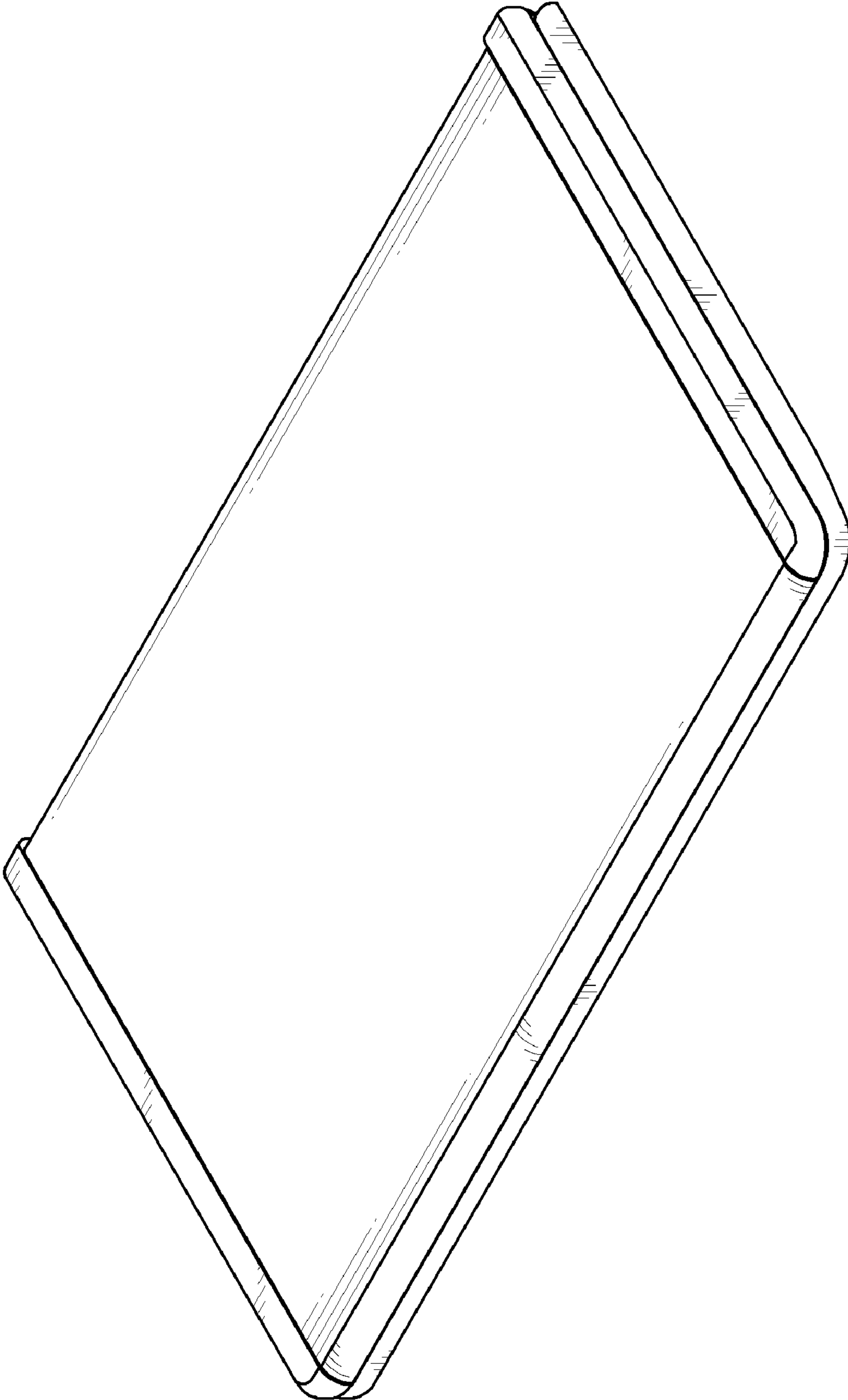


FIG. 1

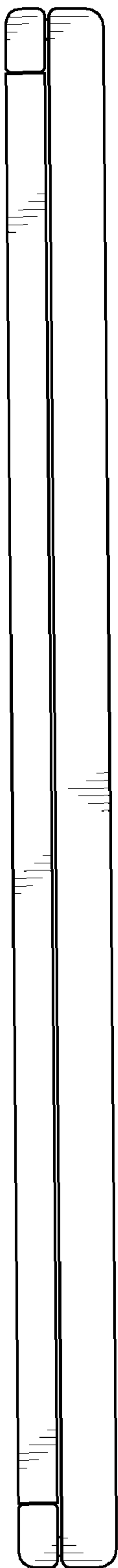


FIG. 2

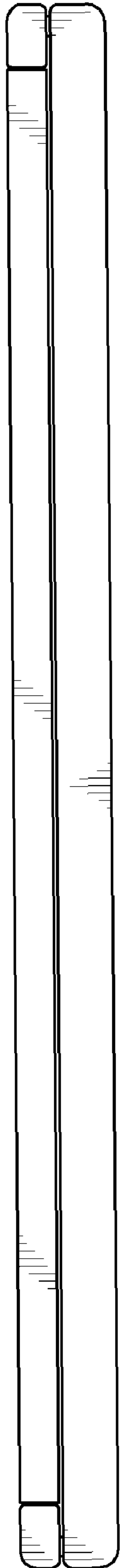


FIG. 3

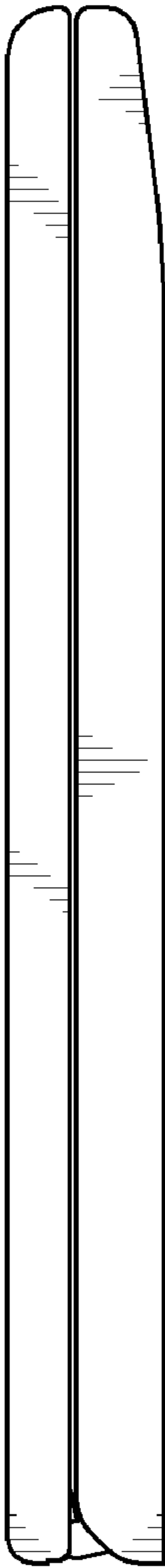


FIG. 4

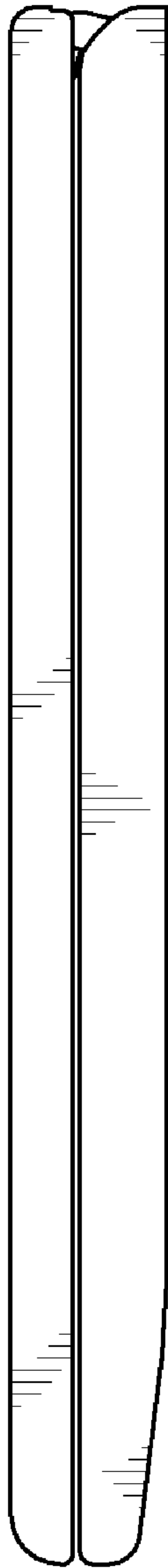


FIG. 5

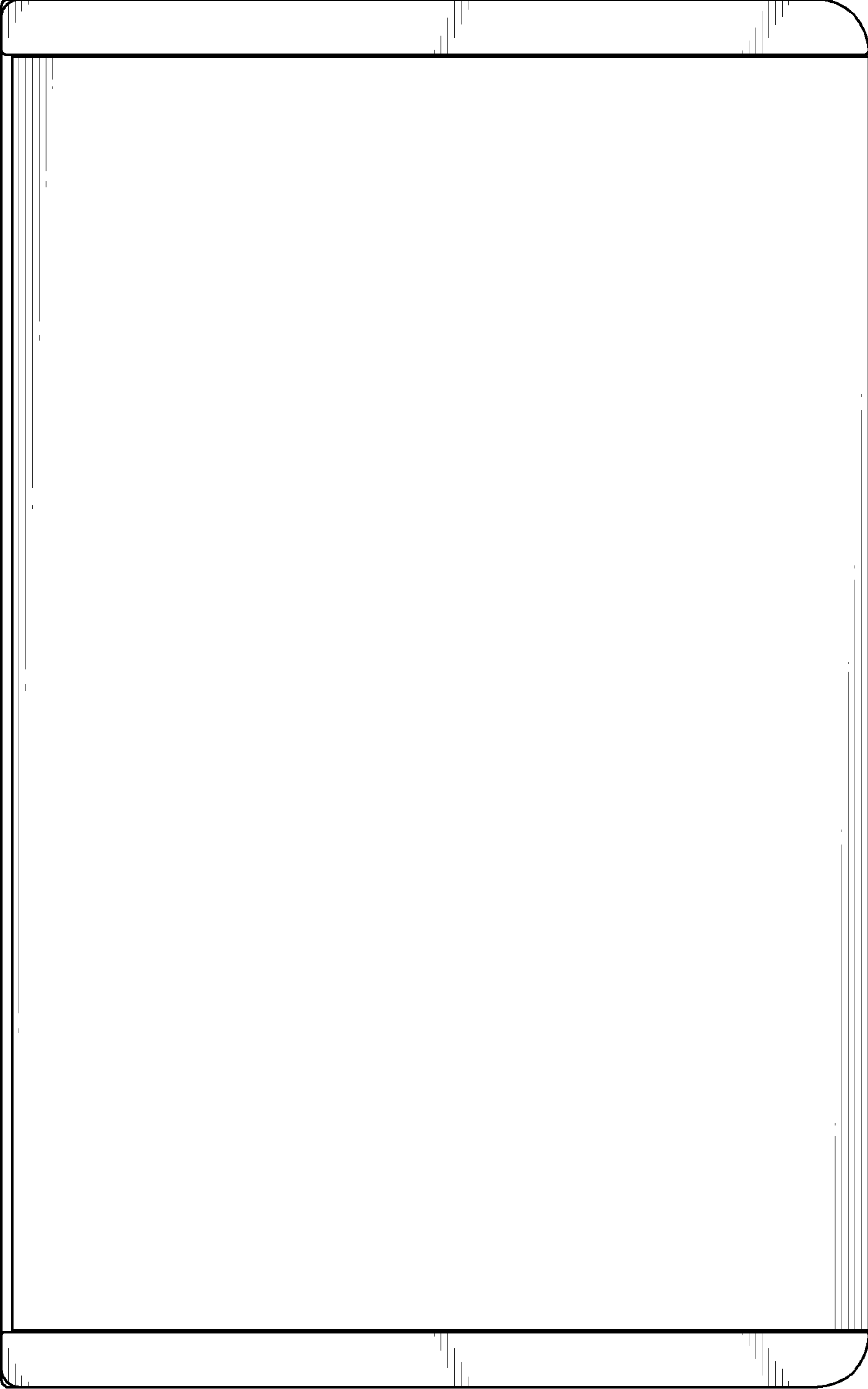


FIG. 6

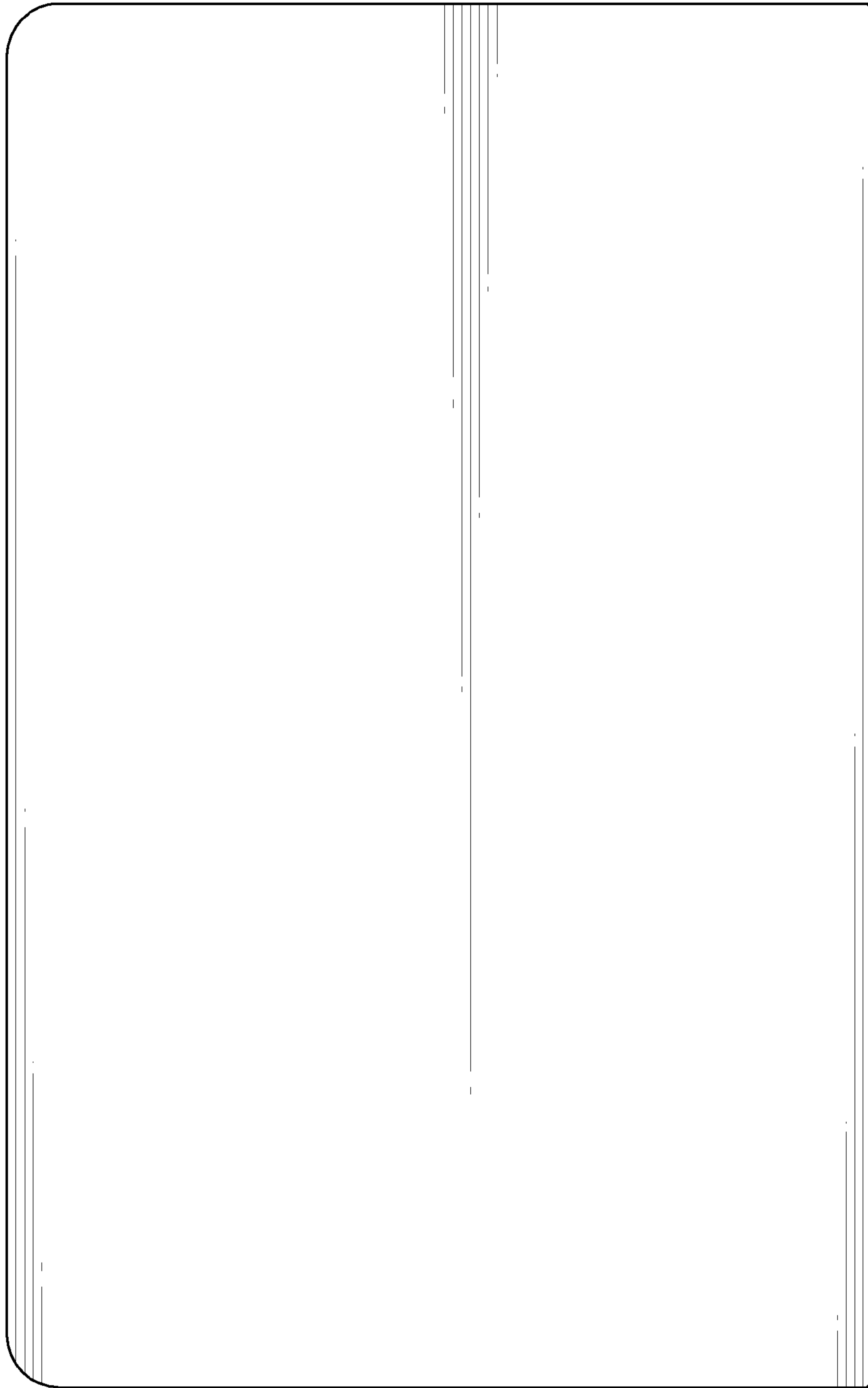


FIG. 7



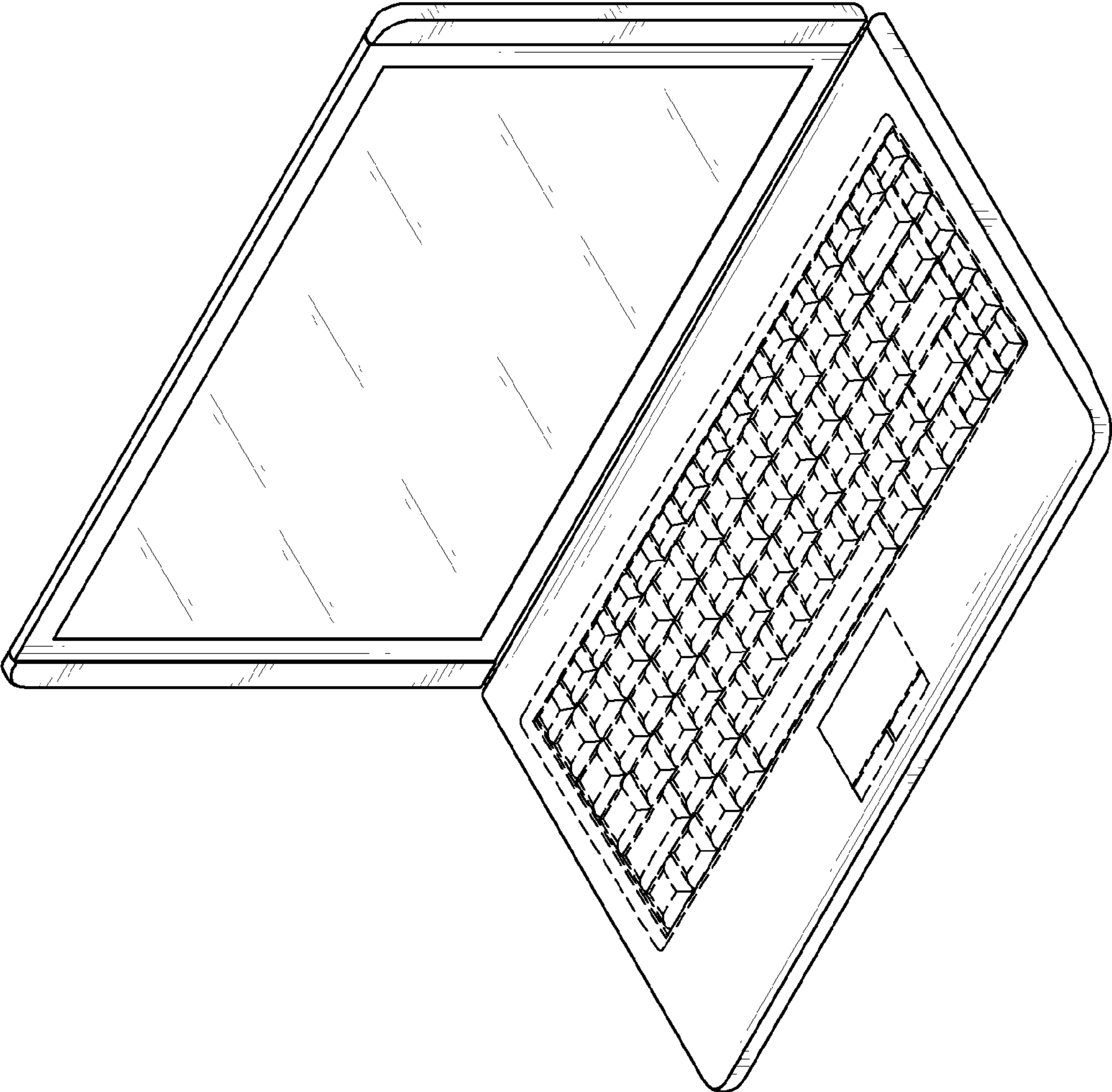


FIG. 8

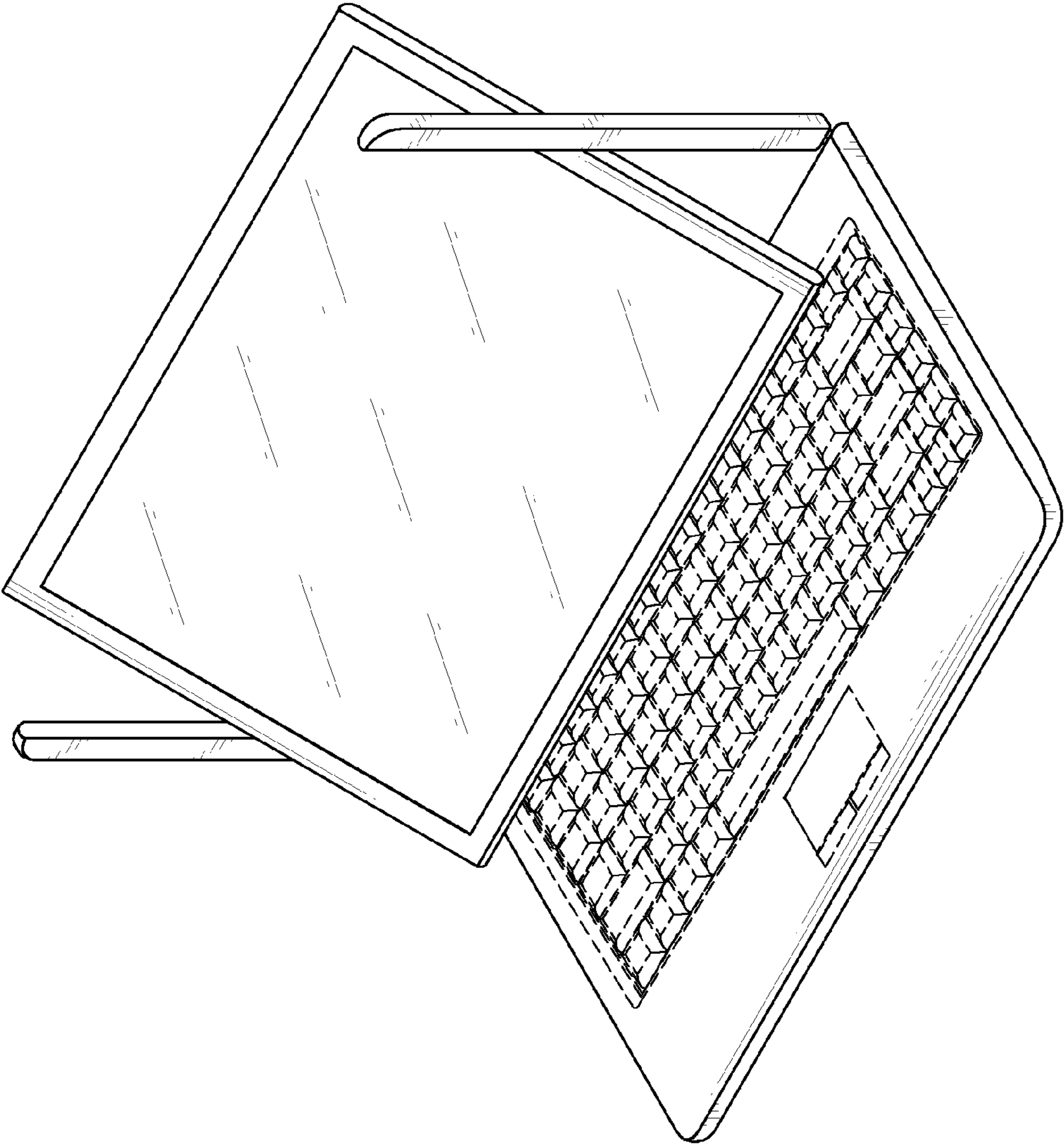


FIG. 9

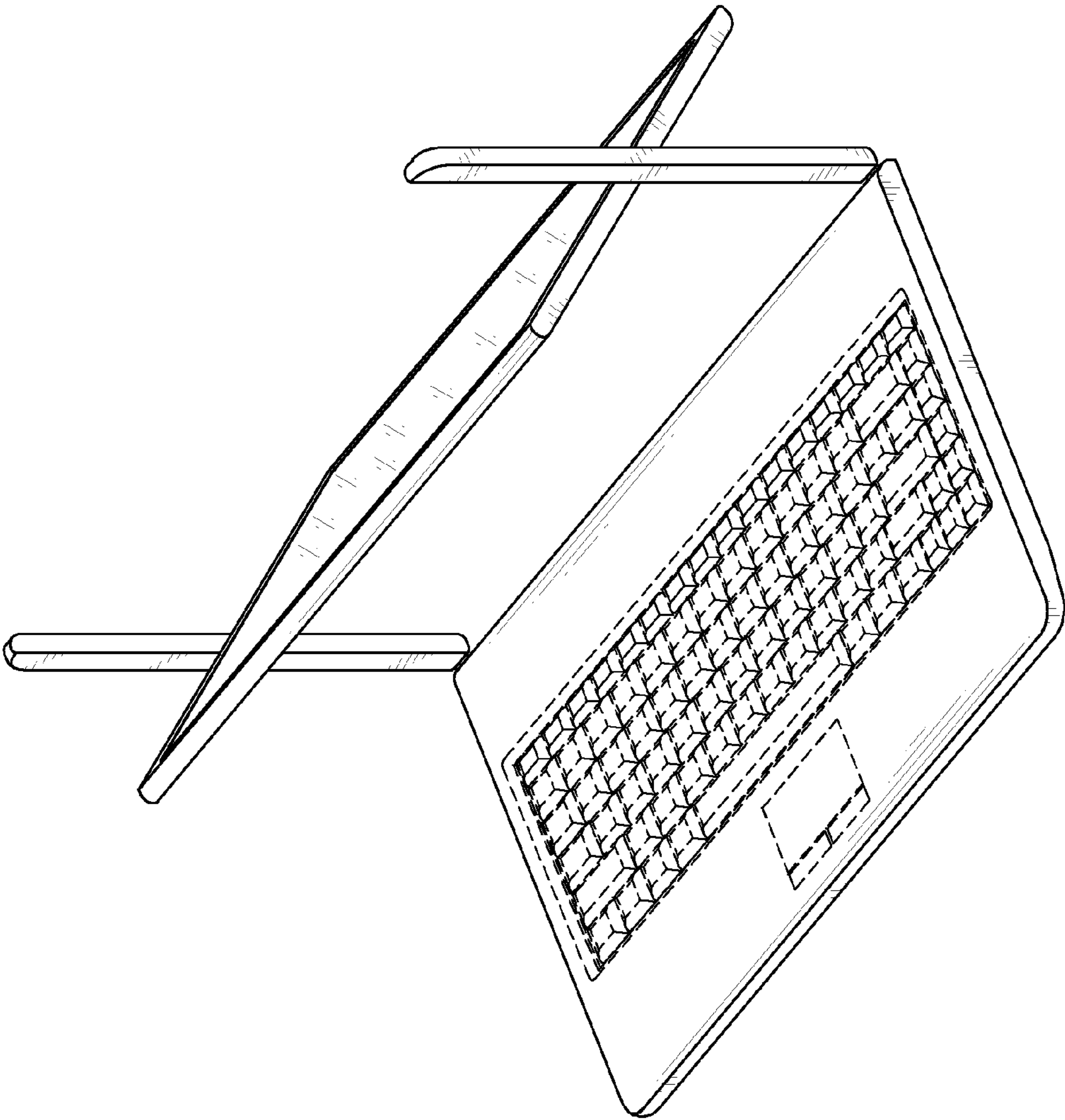


FIG. 10