



US00D626546S

(12) **United States Design Patent**
Paek

(10) **Patent No.:** **US D626,546 S**
(45) **Date of Patent:** **** *Nov. 2, 2010**

(54) **NOTEBOOK COMPUTER**
(75) Inventor: **Seung-Hyun Paek**, Kyunggi-do (KR)
(73) Assignee: **Samsung Electronics Co., Ltd.**,
Kyunggi-do (KR)
(*) Notice: This patent is subject to a terminal disclaimer.
(**) Term: **14 Years**

D578,523 S 10/2008 Yoon
D578,524 S 10/2008 Yoon
D578,525 S 10/2008 Yoon
D580,432 S 11/2008 Yun et al.
D586,343 S 2/2009 Lee et al.
D586,796 S 2/2009 Lee et al.
D586,797 S 2/2009 Kawase et al.
2005/0018396 A1 * 1/2005 Nakajima et al. 361/683
2005/0041378 A1 * 2/2005 Hamada et al. 361/680

(21) Appl. No.: **29/313,601**
(22) Filed: **Jan. 26, 2009**

(51) **LOC (9) Cl.** **14-02**
(52) **U.S. Cl.** **D14/315**
(58) **Field of Classification Search** D14/315-328;
D18/1, 2, 7, 11; 235/145 A, 145 R; 341/22,
341/23; 345/104, 156, 168, 169, 173, 87,
345/901-905; 361/679.08-679.18; 400/486,
400/489; 710/14
See application file for complete search history.

OTHER PUBLICATIONS

U.S. Appl. No. 29/312,890, Applicant: Byeong-Yong Song, et al.,
filed Nov. 19, 2008 entitled Notebook Computer.
U.S. Appl. No. 29/312,892, Applicant: Seung-Wook Jeong, et al.,
filed Nov. 19, 2008 entitled Notebook Computer.
U.S. Appl. No. 29/313,325, Applicant: Jung-Hwan Hong, et al., filed
Dec. 26, 2008 entitled Notebook Computer.

(Continued)

Primary Examiner—Freda S Nunn
(74) *Attorney, Agent, or Firm*—Flynn, Thiel, Boutell & Tanis,
P.C.

(56) **References Cited**

U.S. PATENT DOCUMENTS

D335,870 S 5/1993 Yun
D336,465 S 6/1993 Kim
D338,457 S 8/1993 Kim
D348,442 S 7/1994 Yoon
6,067,224 A * 5/2000 Nobuchi 361/679.27
6,519,139 B2 * 2/2003 Kambayashi 361/679.09
D492,678 S 7/2004 Kim et al.
D523,010 S 6/2006 Paek et al.
D523,431 S 6/2006 Yoon
D523,851 S 6/2006 Jeong et al.
D523,852 S 6/2006 Kim et al.
D524,306 S 7/2006 Yun et al.
D524,307 S 7/2006 Kim et al.
D535,652 S 1/2007 Lee et al.
D547,309 S 7/2007 Yoon
D547,310 S 7/2007 Yoon
D556,192 S 11/2007 Jeong et al.
D567,236 S 4/2008 Yoon

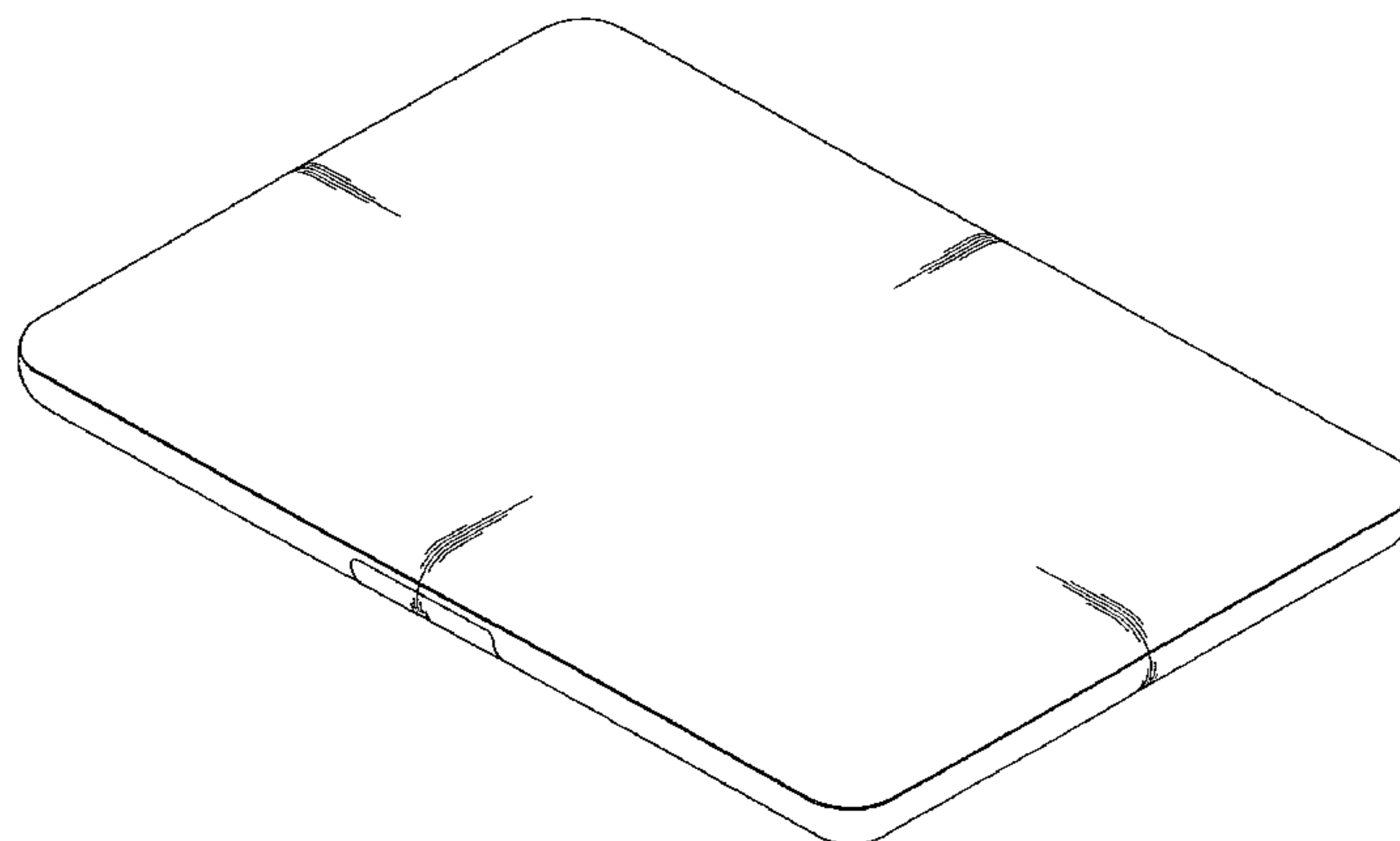
(57) **CLAIM**

The ornamental design for a notebook computer, as shown
and described.

DESCRIPTION

FIG. 1 is a top front perspective view of a notebook computer
showing my new design;
FIG. 2 is a front elevational view thereof;
FIG. 3 is a rear elevational view thereof;
FIG. 4 is a left side elevational view thereof;
FIG. 5 is a right side elevational view thereof;
FIG. 6 is a top plan view thereof; and,
FIG. 7 is a bottom plan view thereof.

1 Claim, 4 Drawing Sheets



OTHER PUBLICATIONS

U.S. Appl. No. 29/313,322, Applicant: Jung-Hwan Hong, et al., filed Dec. 26, 2008 entitled Notebook Computer.
U.S. Appl. No. 29/313,321, Applicant: Jung-Hwan Hong, et al., filed Dec. 26, 2008 entitled Notebook Computer.
U.S. Appl. No. 29/313,326, Applicant: Jung-Hwan Hong, et al., filed Dec. 26, 2008 entitled Notebook Computer.
U.S. Appl. No. 29/313,320, Applicant: Se-0 Lee, filed Dec. 26, 2008 entitled Notebook Computer.
U.S. Appl. No. 29/313,324, Applicant: Sang-Won Yoon, filed Dec. 26, 2008 entitled Notebook Computer.

U.S. Appl. No. 29/313,323, Applicant: Sang-Won Yoon, filed Dec. 26, 2008 entitled Notebook Computer.

U.S. Appl. No. 29/313,319, Applicant: Seung-Hyun Paek, filed Dec. 26, 2008 entitled Notebook Computer.

U.S. Appl. No. 29/313,604, Applicant: Felix Heck, et al., filed Jan. 26, 2009 entitled Notebook Computer.

U.S. Appl. No. 29/313,605, Applicant: Felix Heck, et al., filed Jan. 26, 2009 entitled Notebook Computer.

* cited by examiner

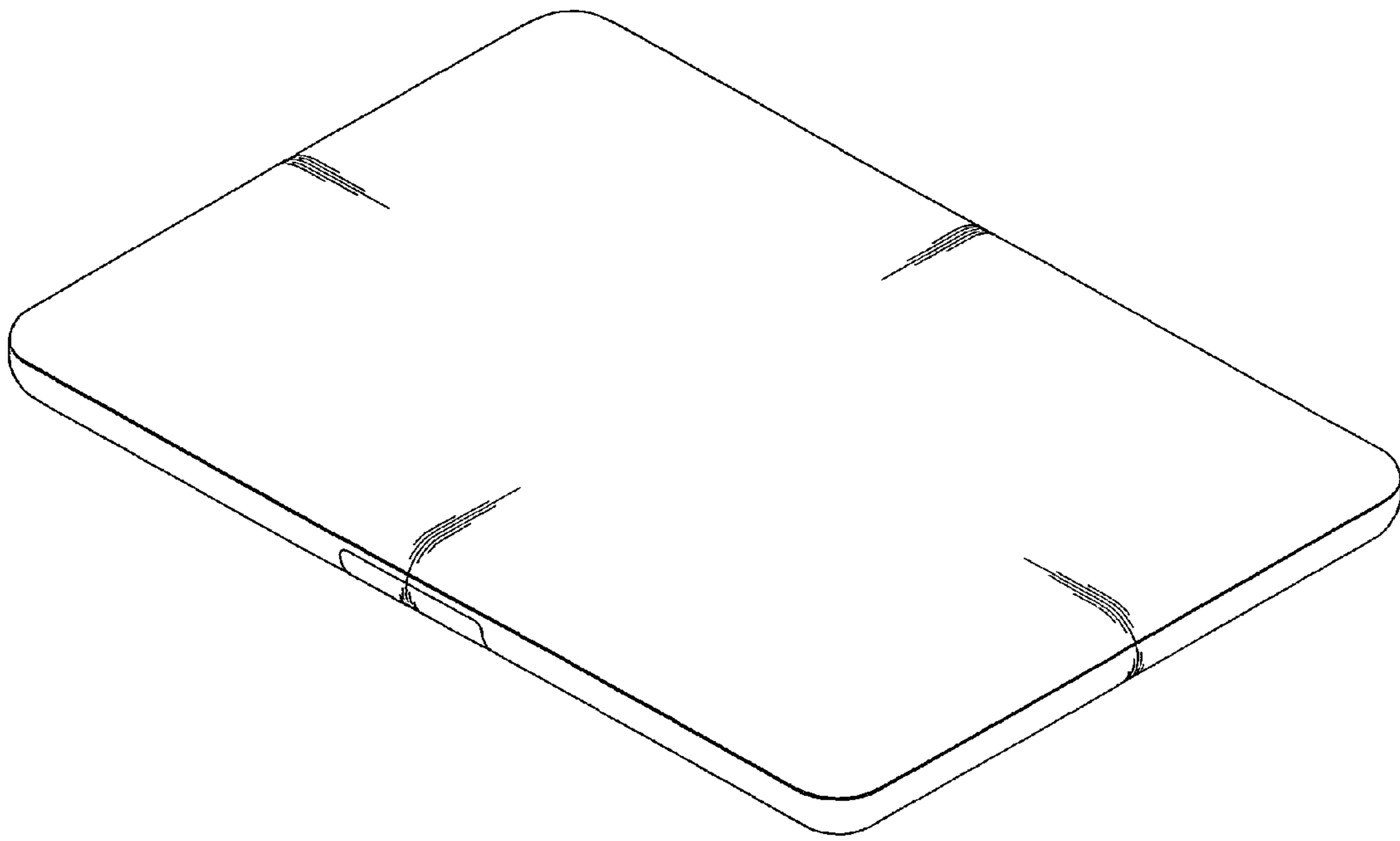


FIG. 1

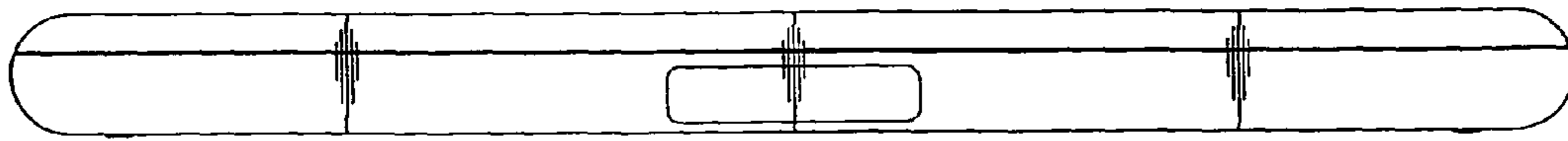


FIG. 2

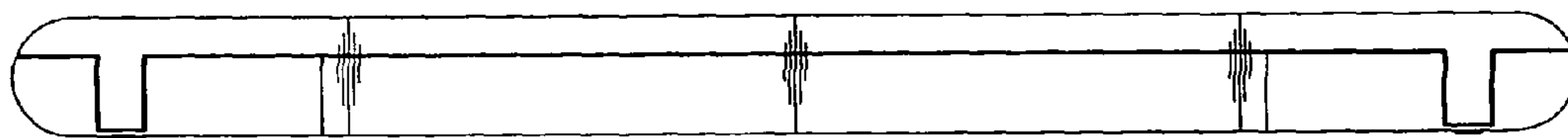


FIG. 3

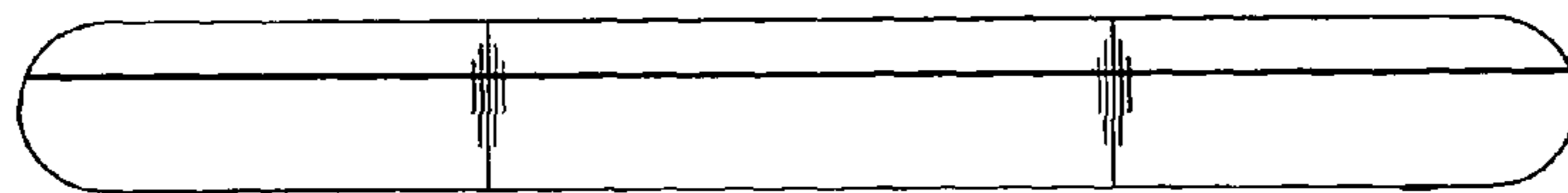


FIG. 4

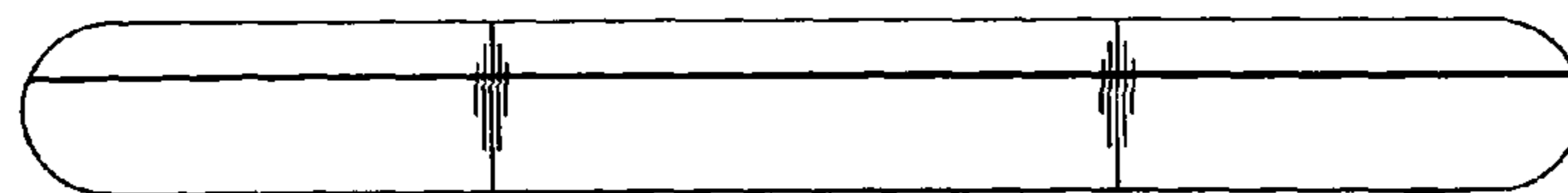


FIG. 5

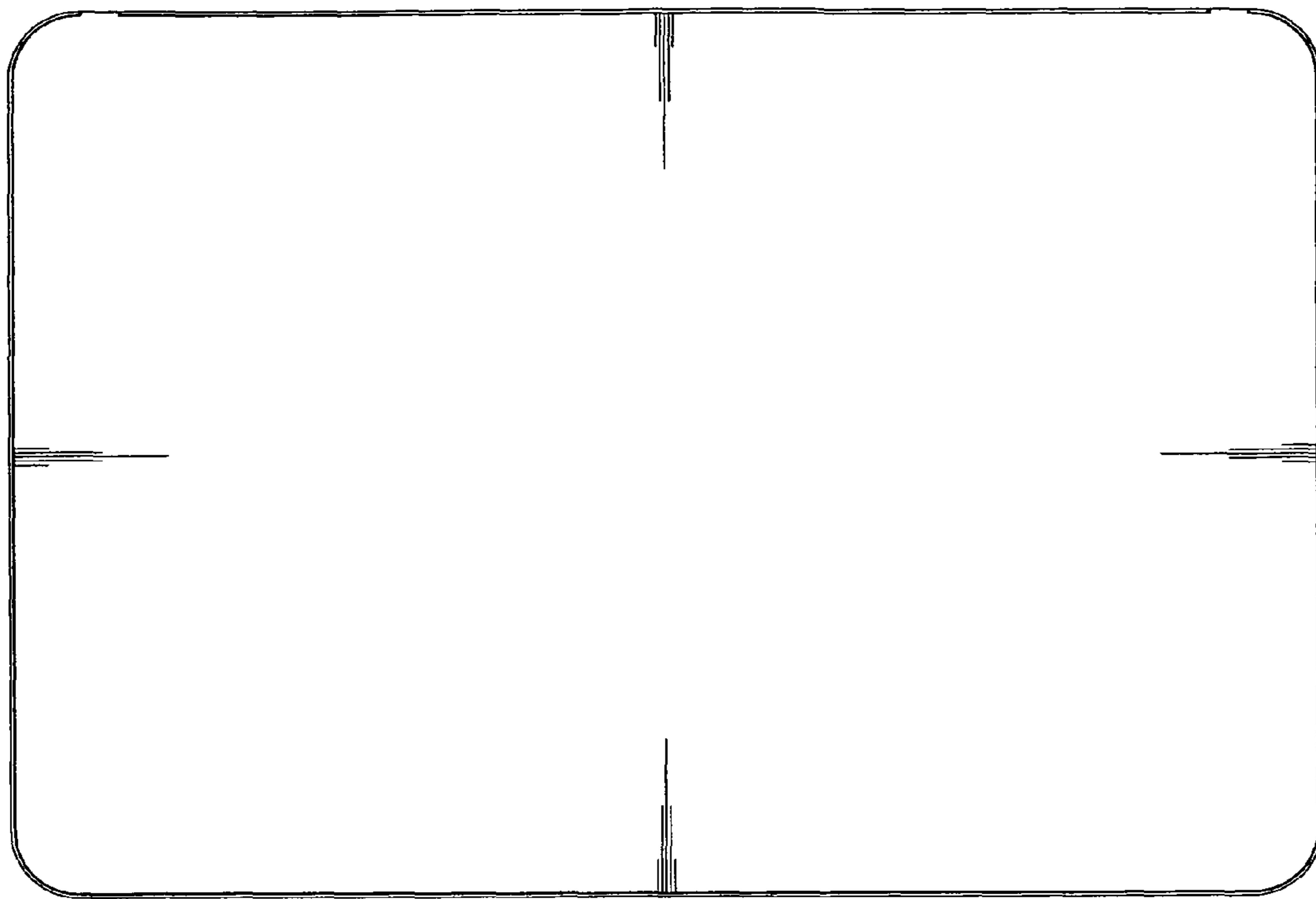


FIG.6

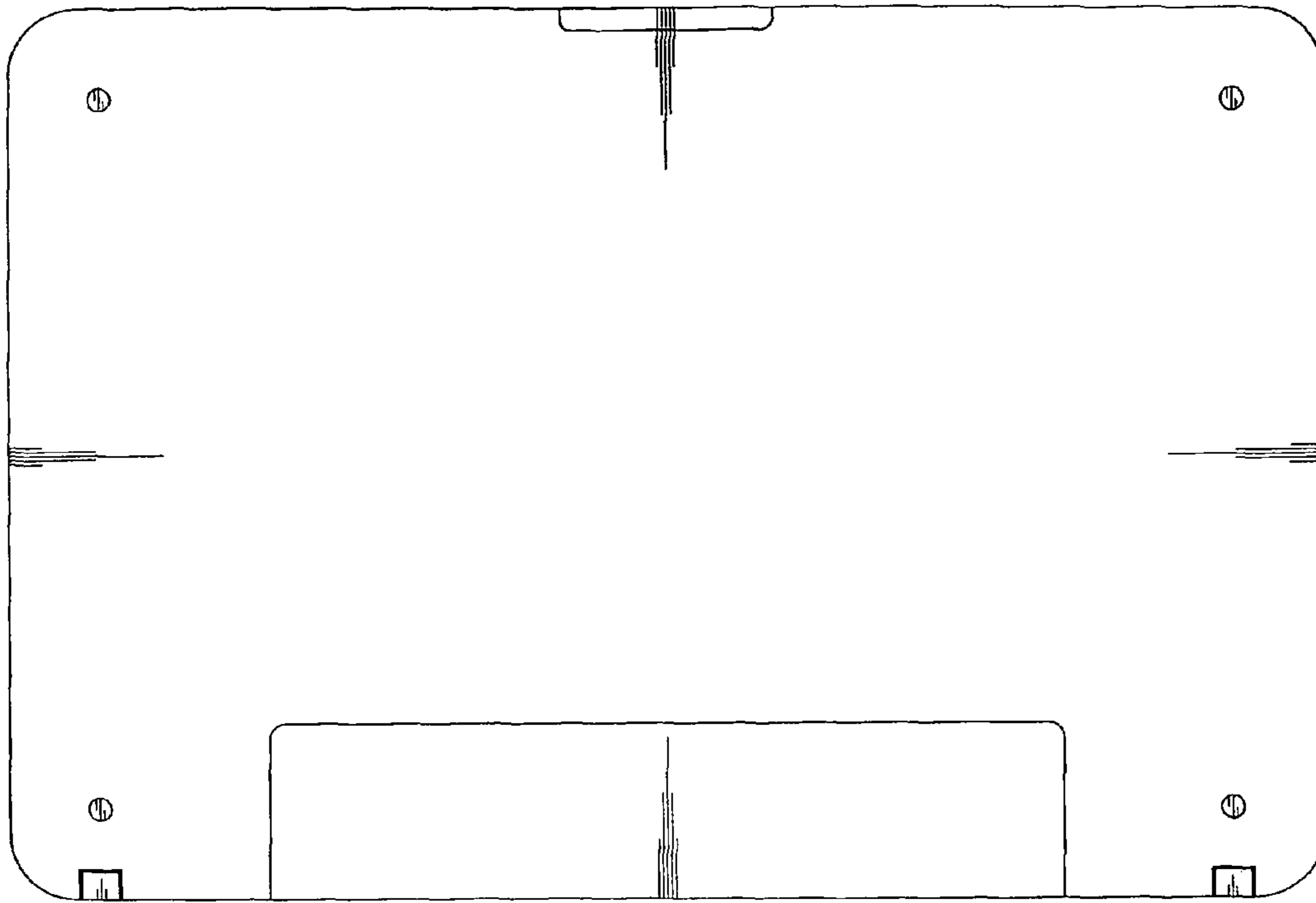


FIG. 7