



US00D626545S

(12) **United States Design Patent**
Bleck et al.

(10) **Patent No.:** **US D626,545 S**

(45) **Date of Patent:** **** Nov. 2, 2010**

(54) **TERMINAL**

(75) Inventors: **Frank Bleck**, Paderborn (DE); **Udo Hesselbach**, Bueren (DE); **Bernd Kruse**, Altenbeken (DE); **Gregor Pollmann**, Paderborn (DE)

(73) Assignee: **Wincor Nixdorf International GmbH** (DE)

(**) Term: **14 Years**

(21) Appl. No.: **29/359,587**

(22) Filed: **Apr. 13, 2010**

(30) **Foreign Application Priority Data**

Oct. 14, 2009 (EM) 001623786

(51) **LOC (9) Cl.** **14-02**

(52) **U.S. Cl.** **D14/307; D99/28; D14/900; D14/901; D14/902**

(58) **Field of Classification Search** D14/32-307, D14/371, 373, 374, 336, 341, 900-902; D13/163; D20/10; D21/329, 332, 325, 369, 370; D99/28; D6/402, 309, 310; D18/4.1-4.6; 235/379; 271/164; 705/43, 715; 194/206; 361/679.1, 361/679.02, 679.04, 679.21, 679.57, 724
See application file for complete search history.

(56) **References Cited**

U.S. PATENT DOCUMENTS

D327,766 S * 7/1992 Swaine et al. D99/28
D395,458 S * 6/1998 Smith et al. D21/329
D410,902 S * 6/1999 Chiochi D14/331
D414,163 S * 9/1999 Hesselbach D14/387
D419,277 S * 1/2000 Ishii et al. D99/35
6,125,028 A * 9/2000 Matsumoto 361/679.22
D436,999 S * 1/2001 Cronley D20/10
D447,164 S * 8/2001 Forslund D18/3.1
D448,040 S * 9/2001 Forslund D18/3.1

(Continued)

OTHER PUBLICATIONS

ProInfo 1000 Multifunction Information and Transaction Terminal, Wincor Nixdorf International GmbH, Mar. 2009.

(Continued)

Primary Examiner—Stella M Reid

Assistant Examiner—Deanna Fluegeman

(74) *Attorney, Agent, or Firm*—Harness, Dickey & Pierce, P.L.C.

(57) **CLAIM**

The ornamental design for a terminal, as shown and described.

DESCRIPTION

FIG. 1 is a perspective view of a terminal embodying our new design;

FIG. 2 is a front view thereof;

FIG. 3 is a rear view thereof;

FIG. 4 is a left side view thereof;

FIG. 5 is a right side view thereof;

FIG. 6 is a top view thereof;

FIG. 7 is a perspective view of a second embodiment of a terminal embodying our new design;

FIG. 8 is a front view thereof;

FIG. 9 is a rear view thereof;

FIG. 10 is a left side view thereof;

FIG. 11 is a right side view thereof;

FIG. 12 is a top view thereof;

FIG. 13 is a perspective view of a third embodiment of a terminal embodying our new design;

FIG. 14 is a front view thereof;

FIG. 15 is a rear view thereof;

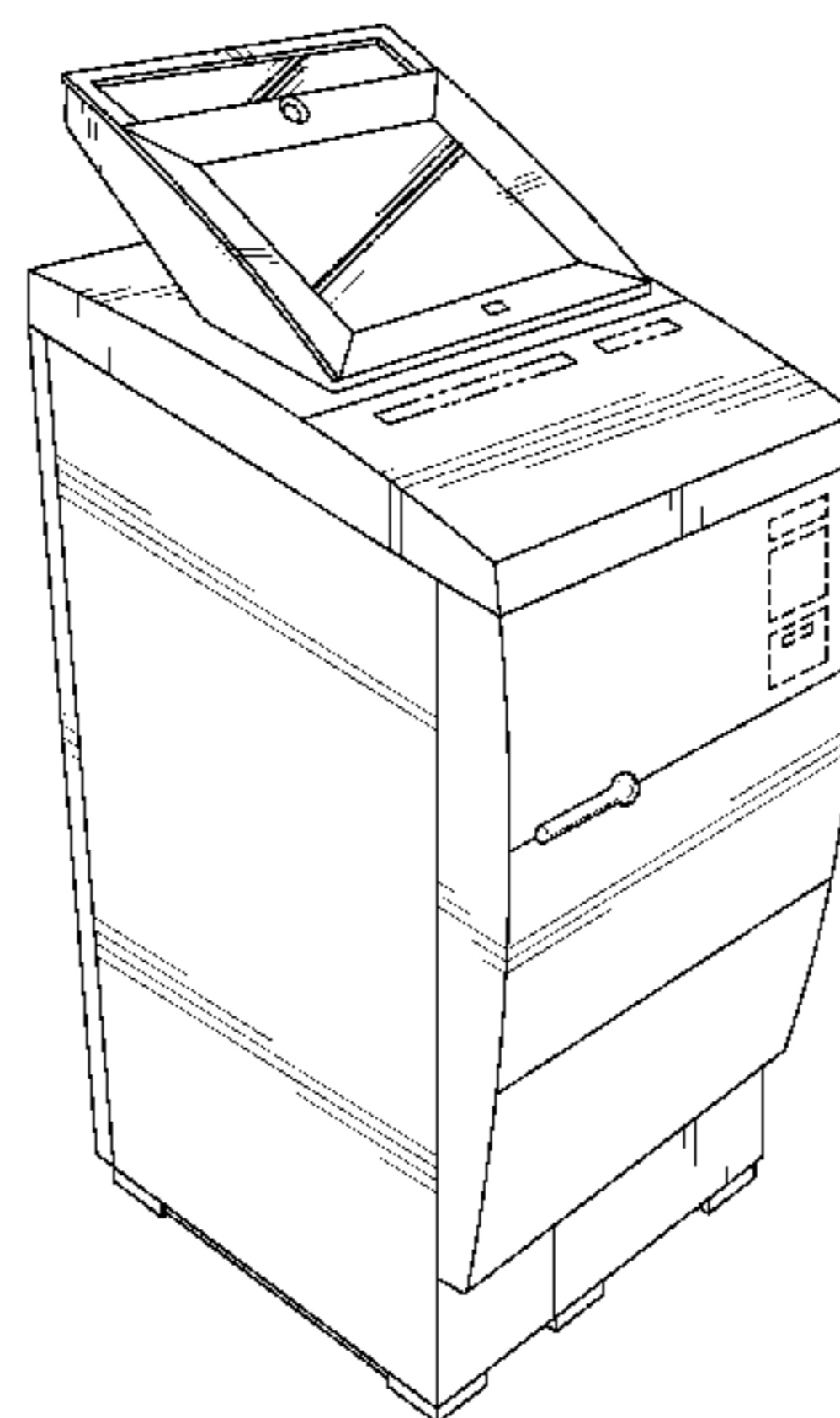
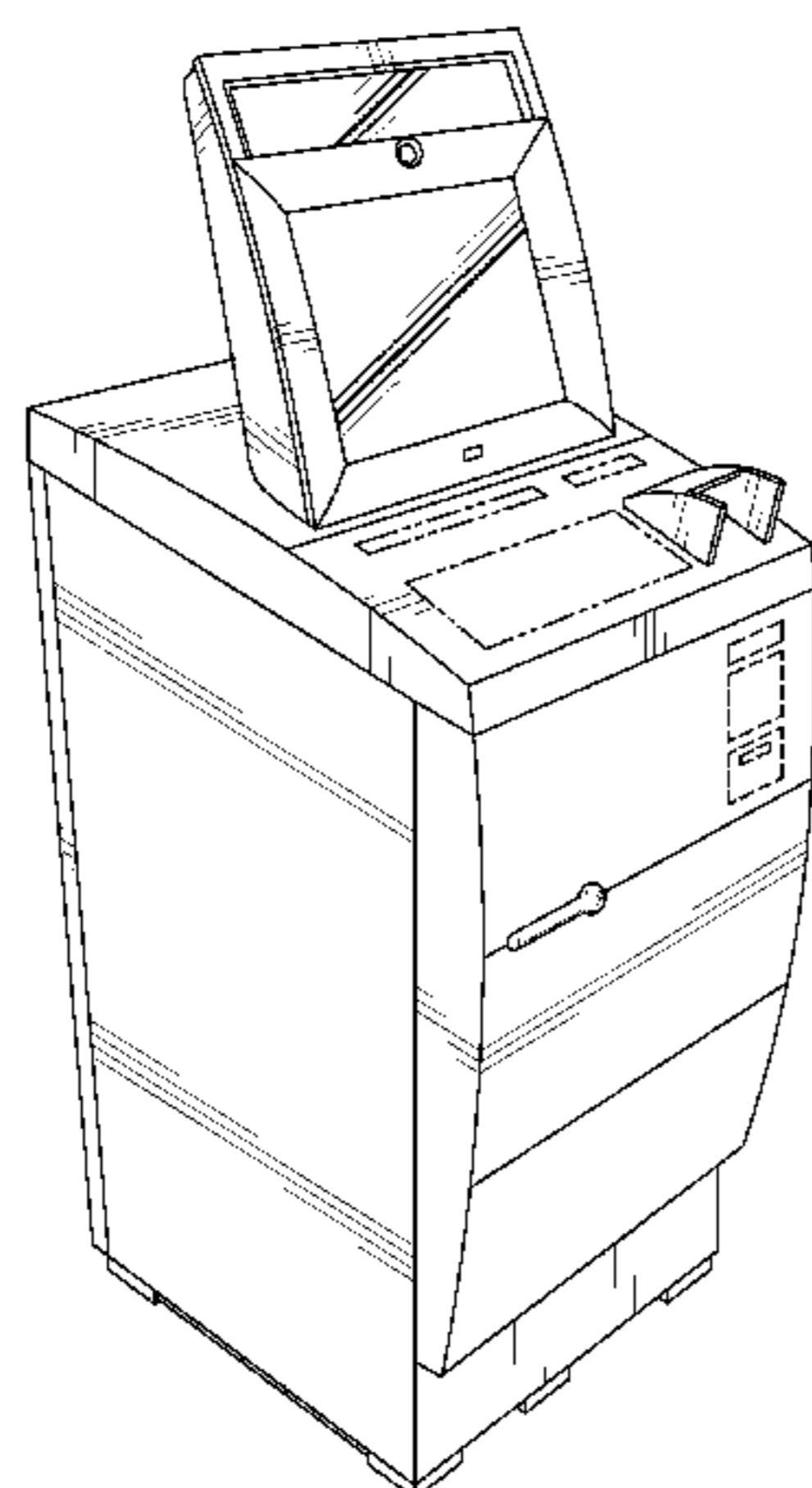
FIG. 16 is a left side view thereof;

FIG. 17 is a right side view thereof; and,

FIG. 18 is a top view thereof.

The broken lines show environment and form no part of the claimed design.

1 Claim, 15 Drawing Sheets



US D626,545 S

Page 2

U.S. PATENT DOCUMENTS

D451,968 S * 12/2001 Sano D21/325
D471,192 S * 3/2003 Lin et al. D14/335
D473,269 S * 4/2003 Tsuda D21/329
D483,760 S * 12/2003 Berr et al. D14/383
D483,761 S * 12/2003 Hartmann et al. D14/383
6,748,101 B1 * 6/2004 Jones et al. 382/135
D502,243 S * 2/2005 King D21/811
6,857,804 B2 * 2/2005 Luciano et al. 400/691
D503,450 S * 3/2005 King D21/811
7,191,948 B1 * 3/2007 Baitz et al. 235/462.43

D566,702 S * 4/2008 Malone et al. D14/307
D574,377 S * 8/2008 Derocher et al. D14/307
D589,048 S * 3/2009 Nossek D14/455
D590,575 S * 4/2009 Bleck D99/43
D605,190 S * 12/2009 Kuroda et al. D14/307

OTHER PUBLICATIONS

ProPrint 1000 Monofunction Customer Information and Statement
Printer, Wincor Nixdorf International GmbH, Sep. 2008.

* cited by examiner

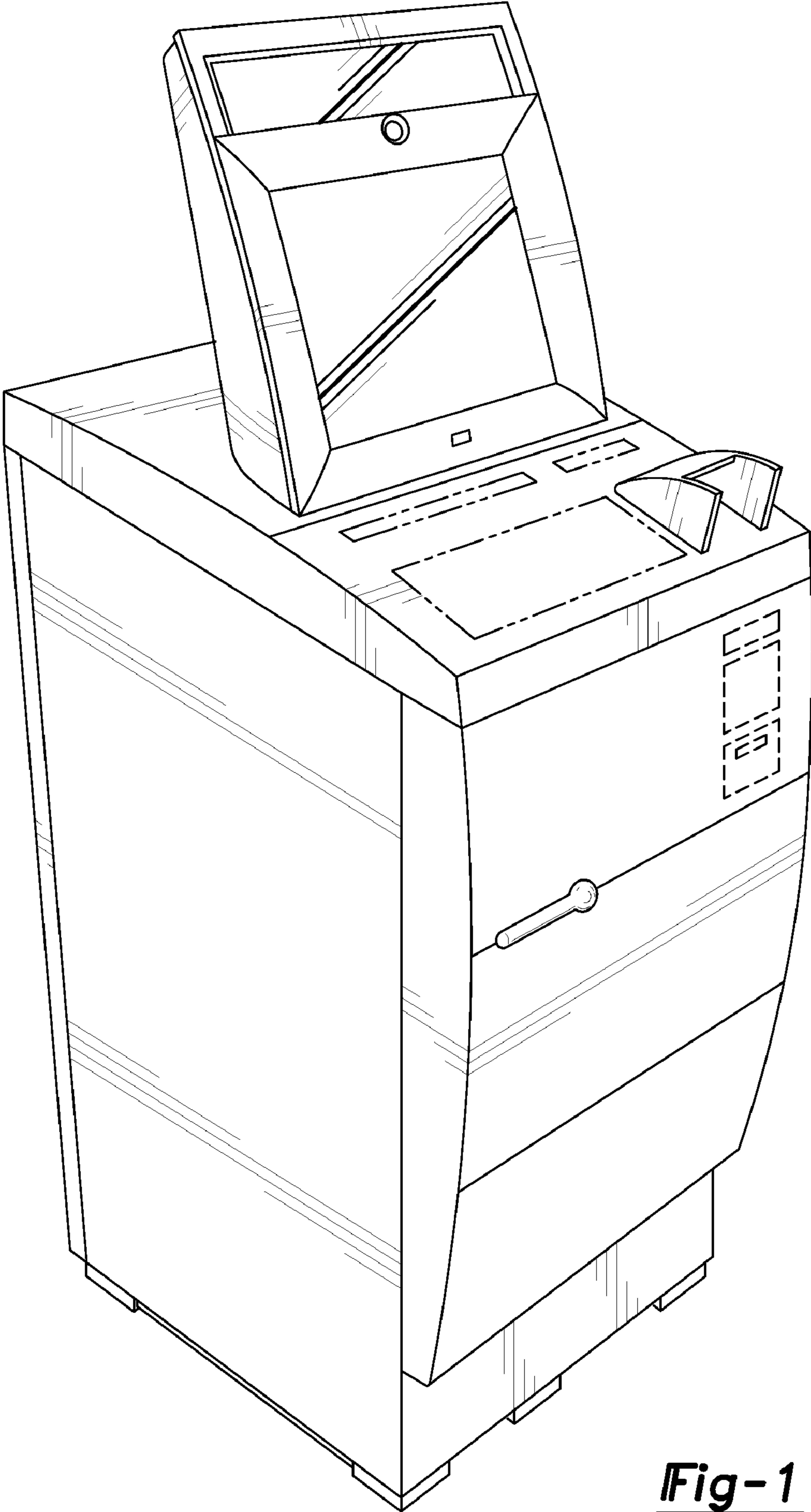


Fig-1

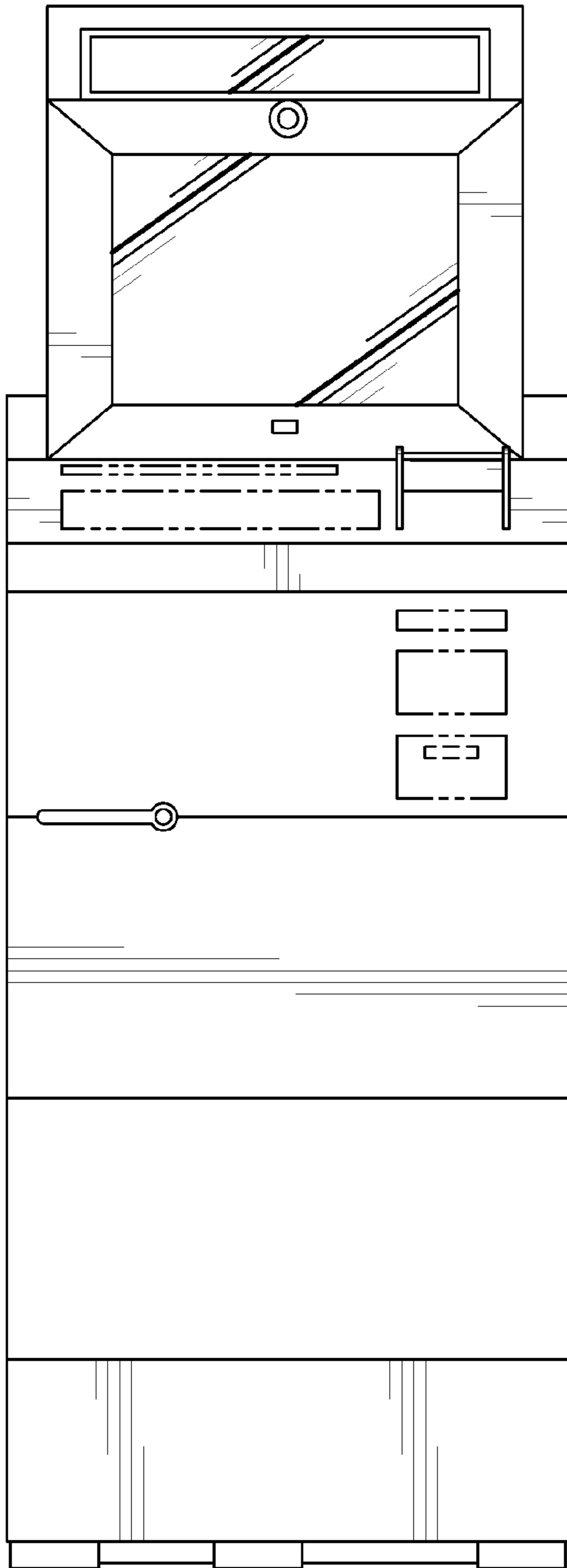


Fig-2

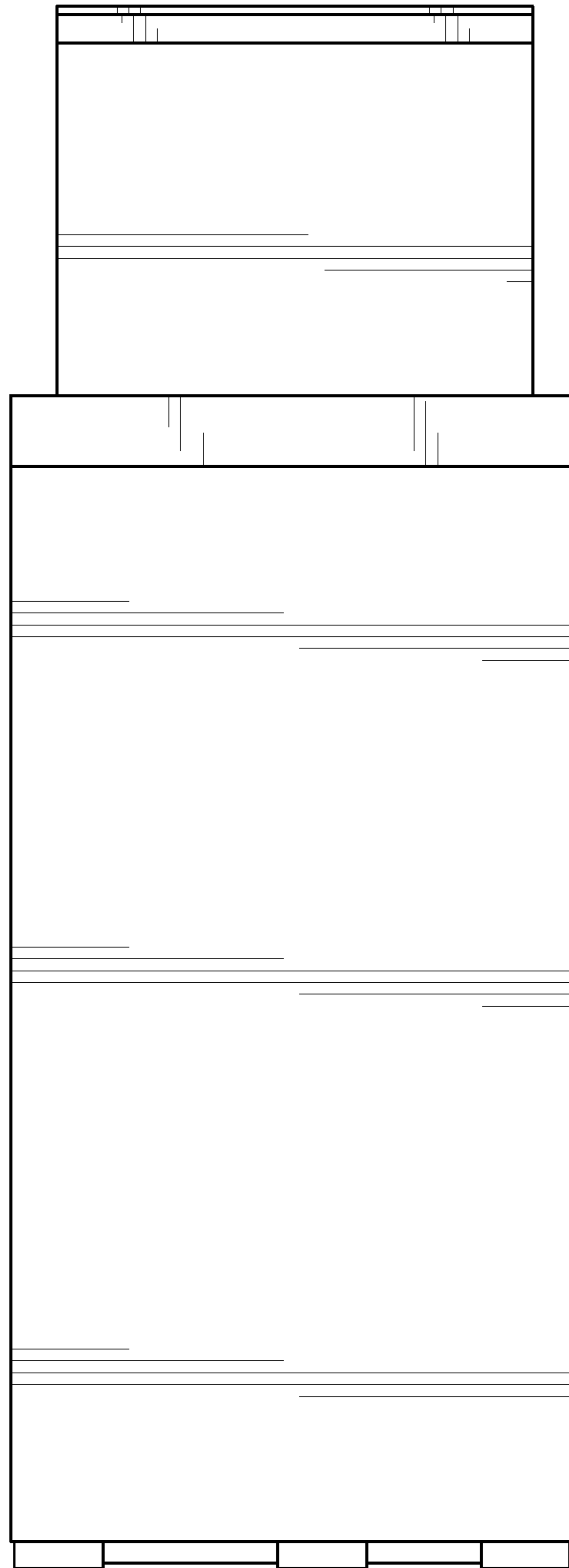


Fig-3

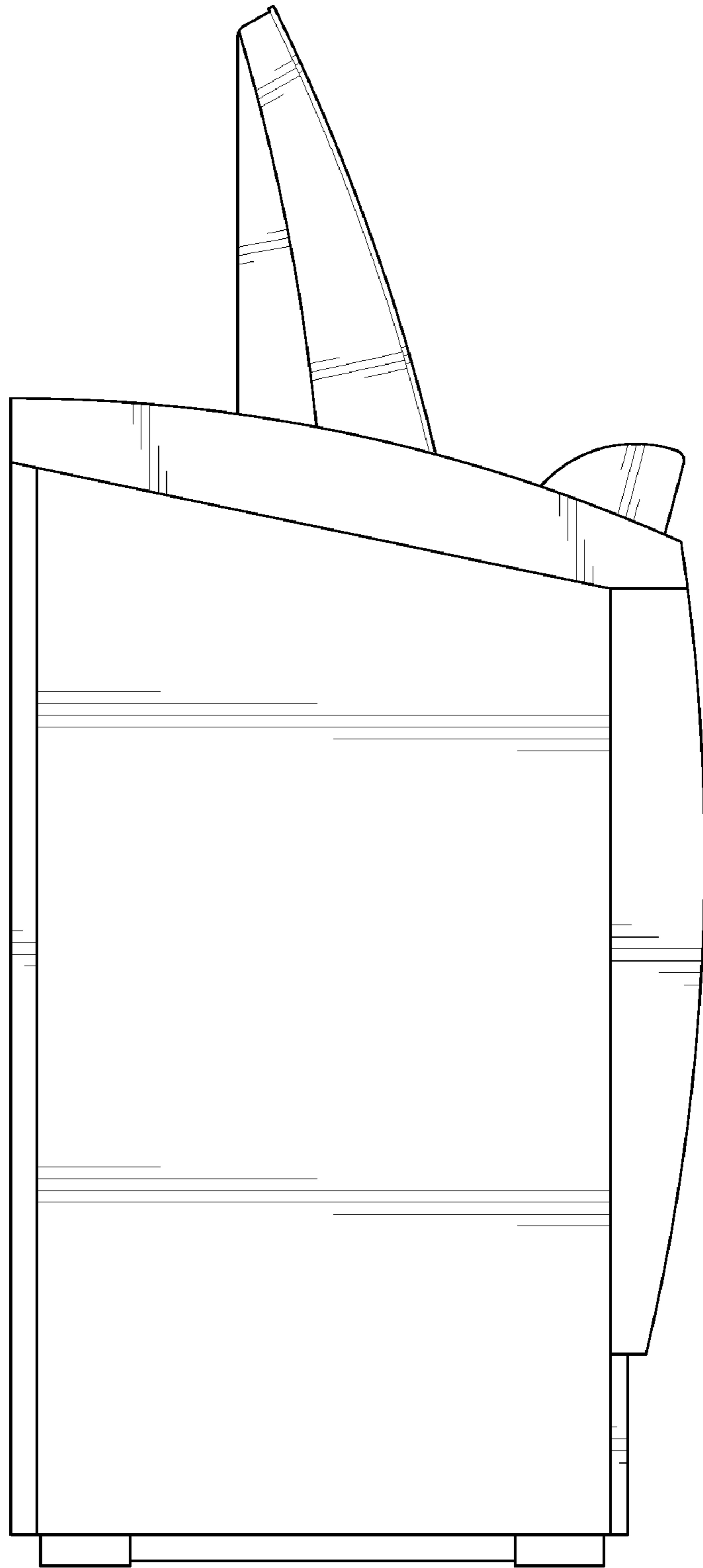


Fig-4

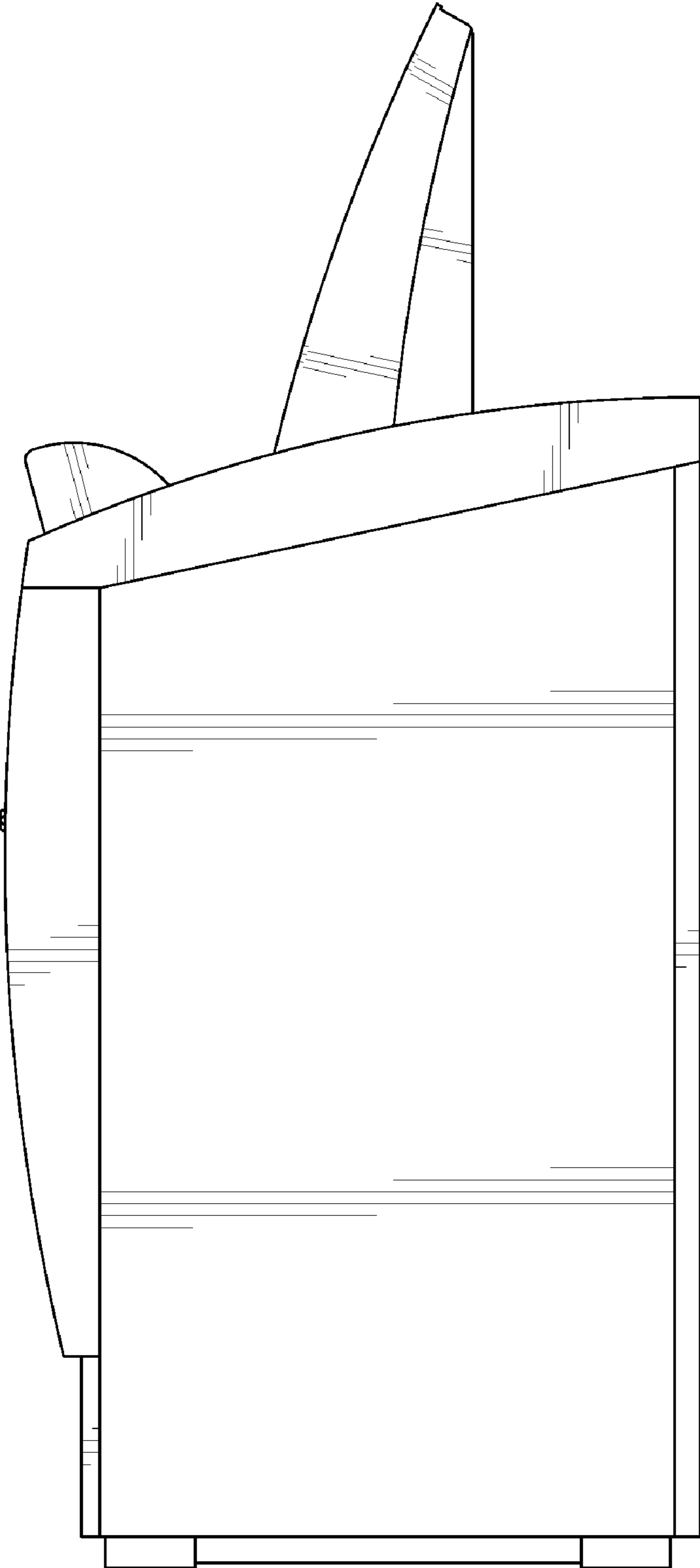


Fig-5

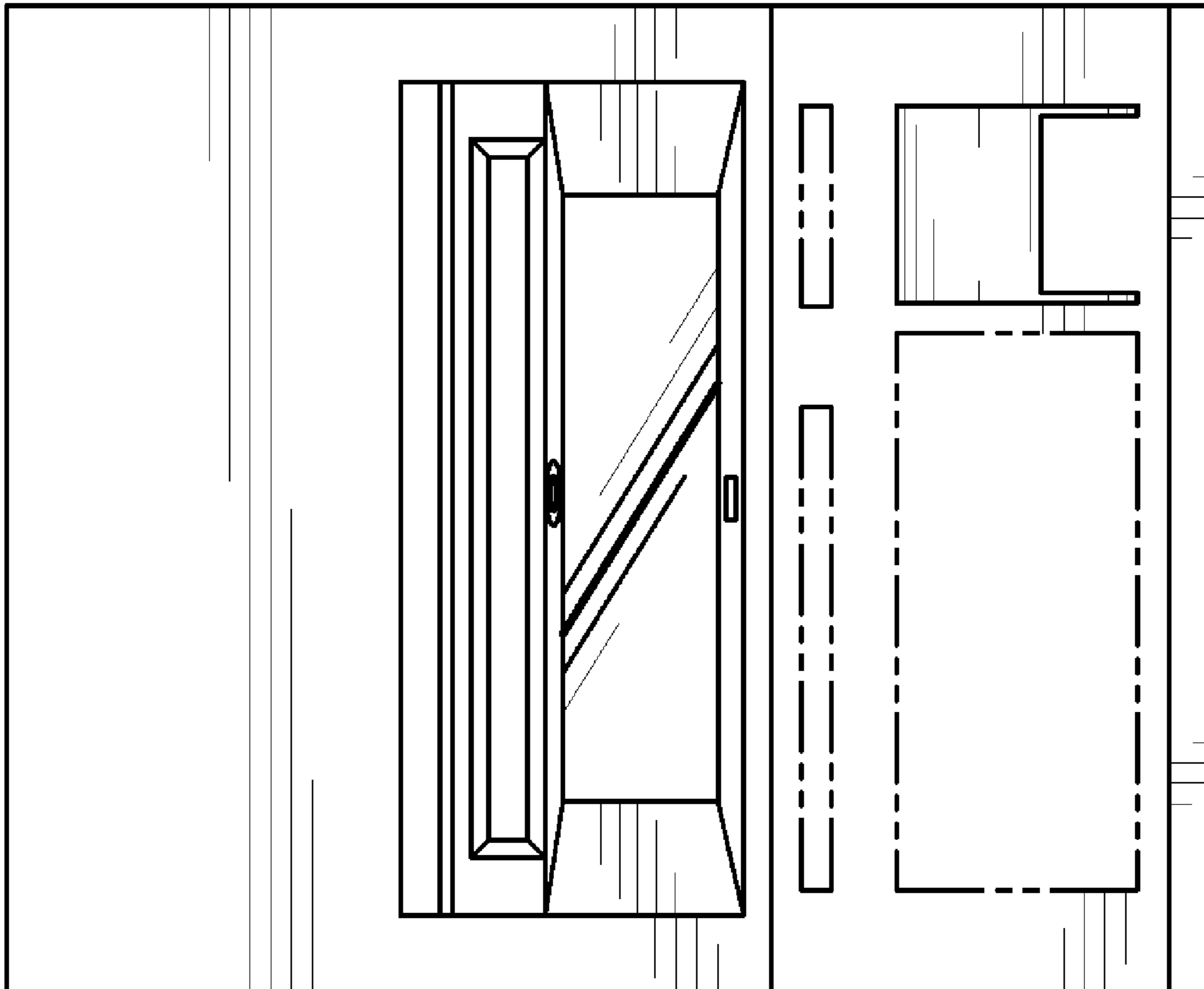


Fig-6

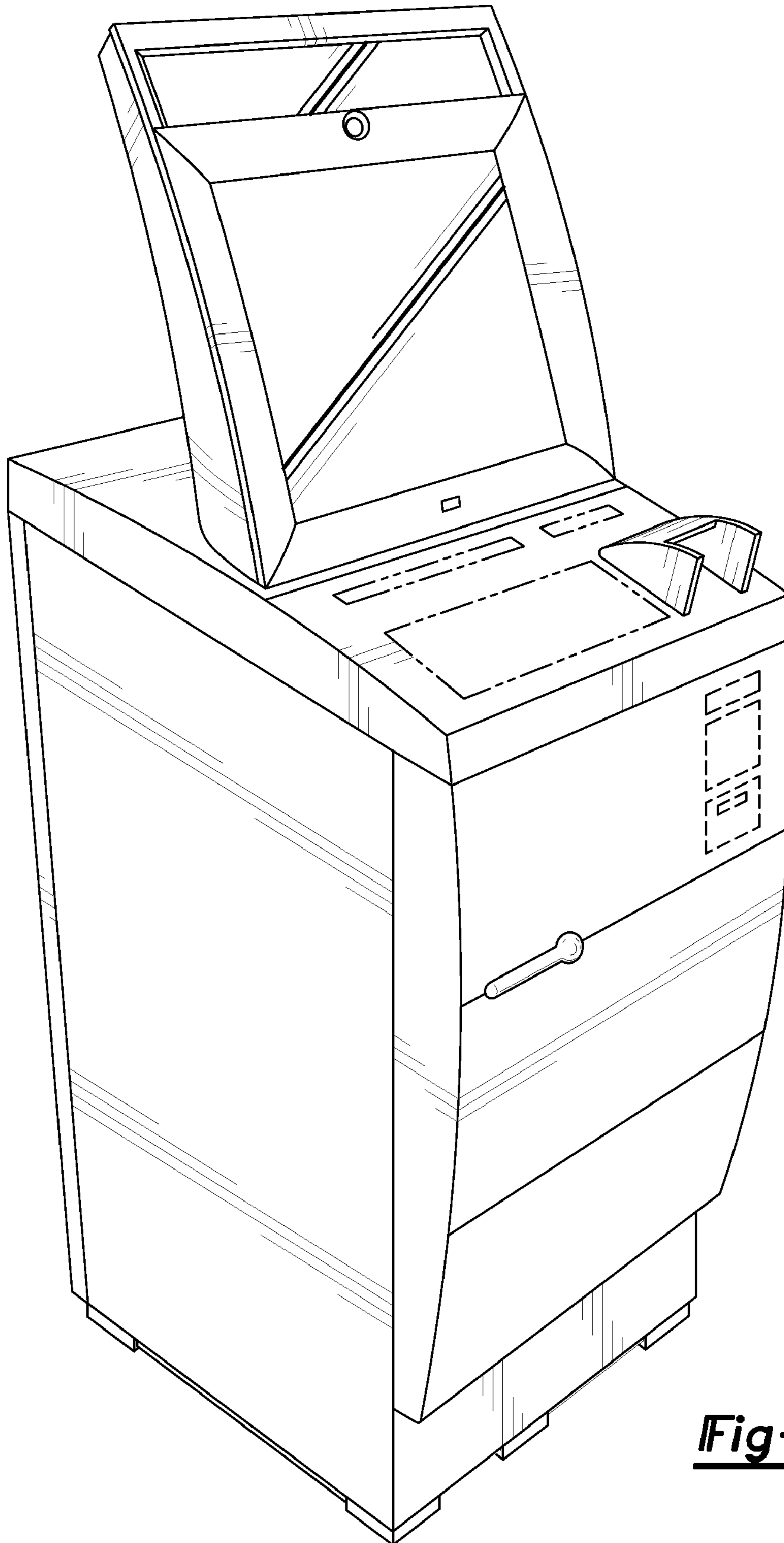


Fig-7

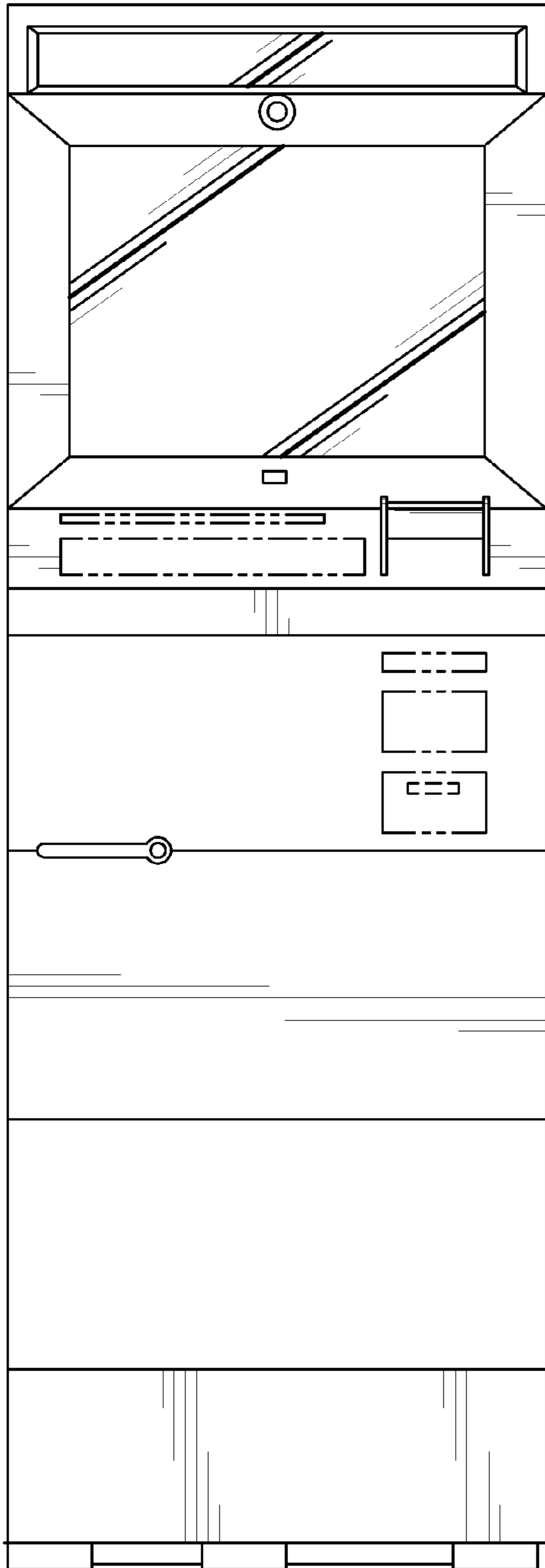


Fig-8

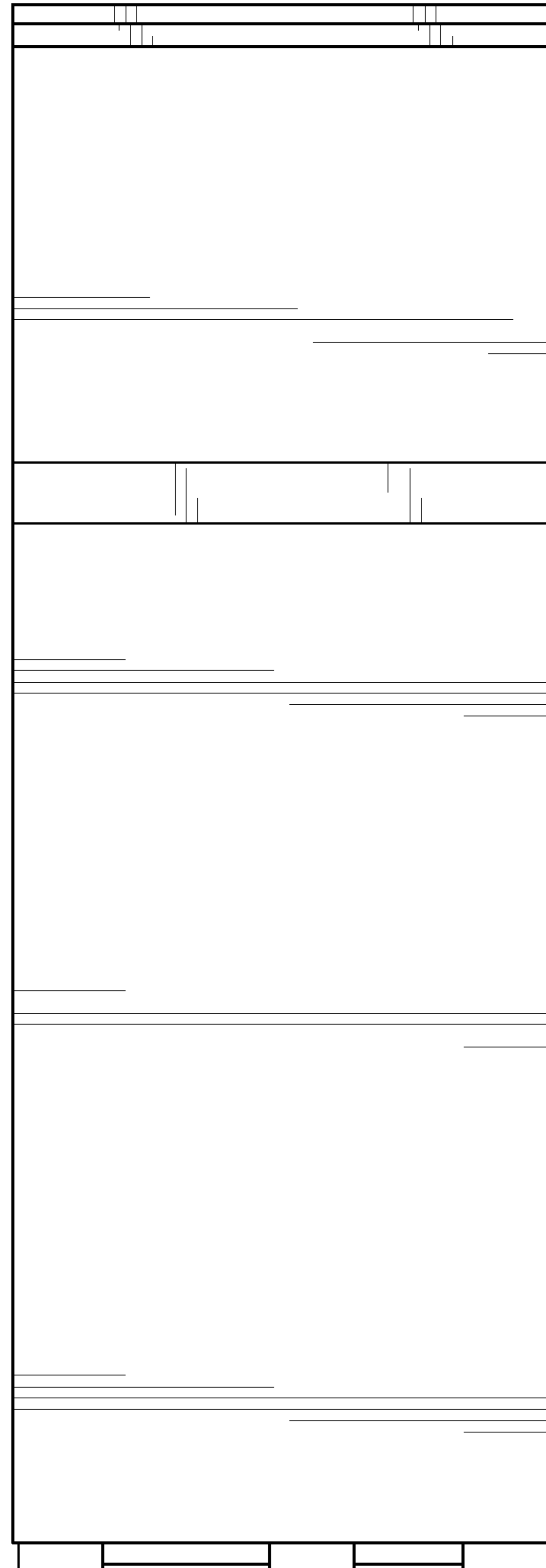


Fig-9

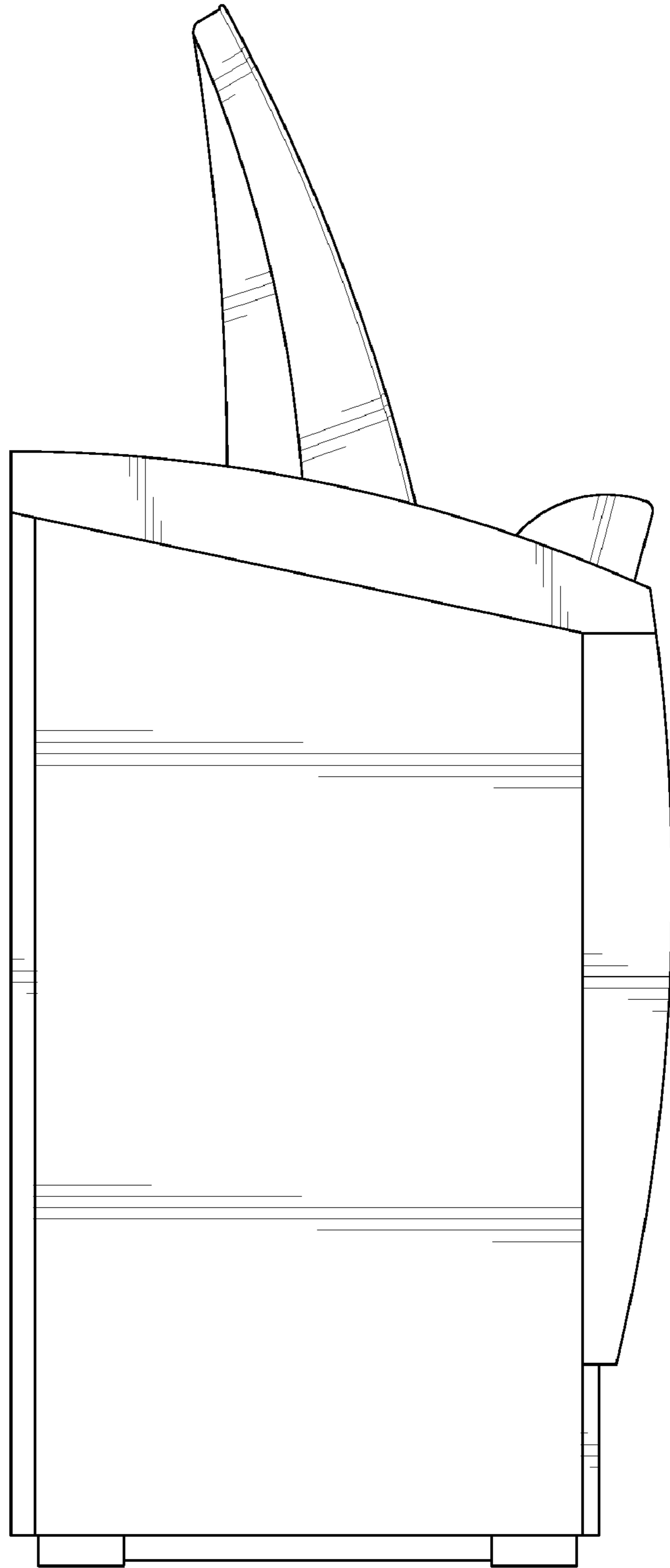


Fig-10

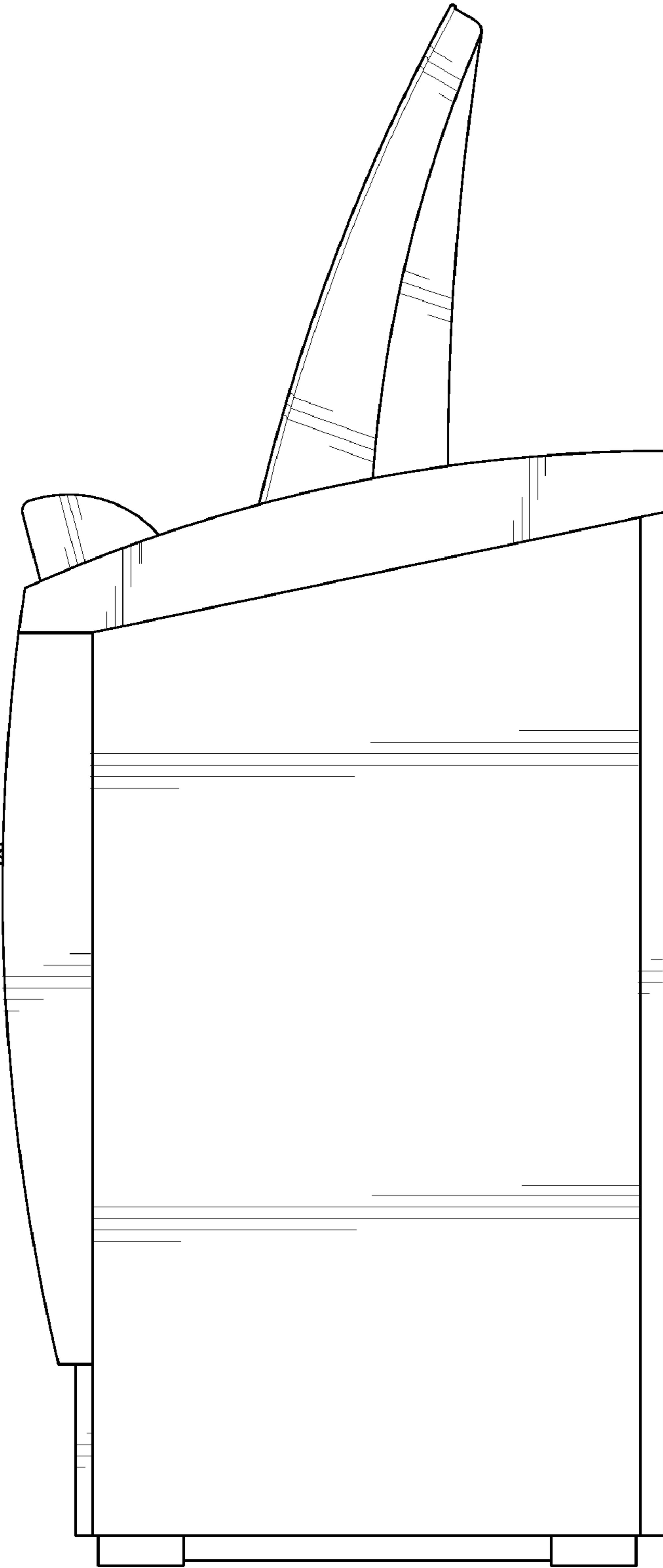


Fig-11

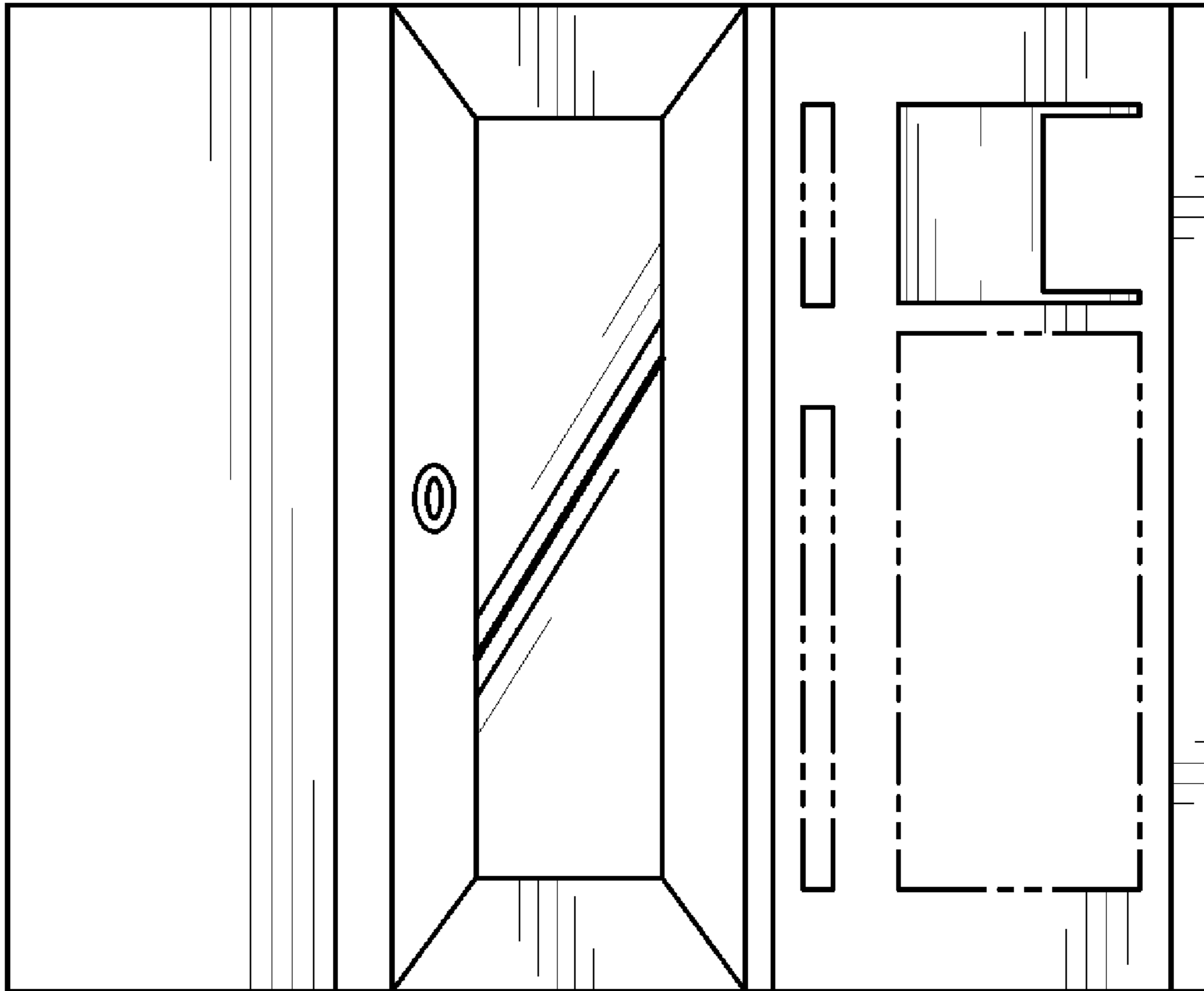


Fig-12

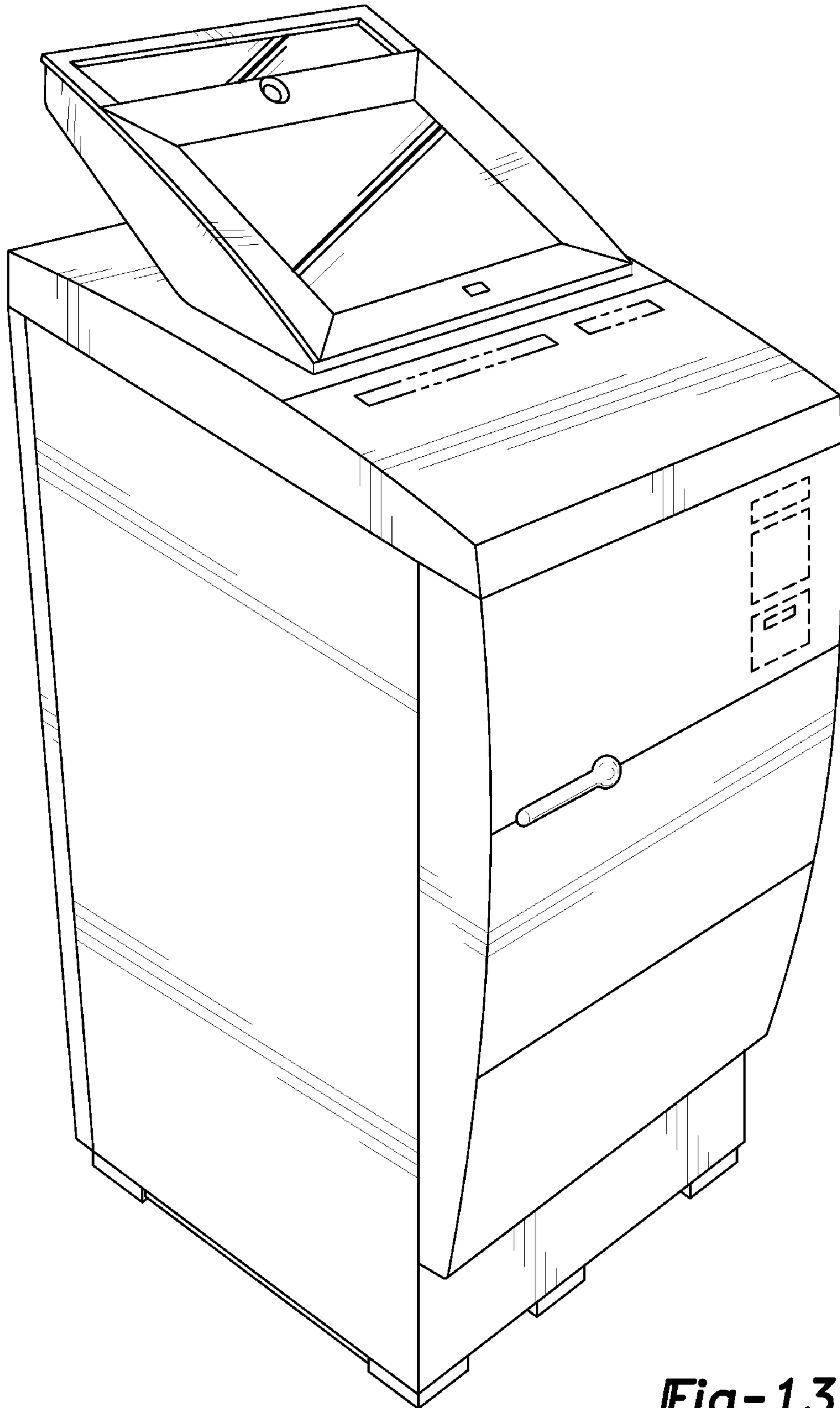


Fig-13

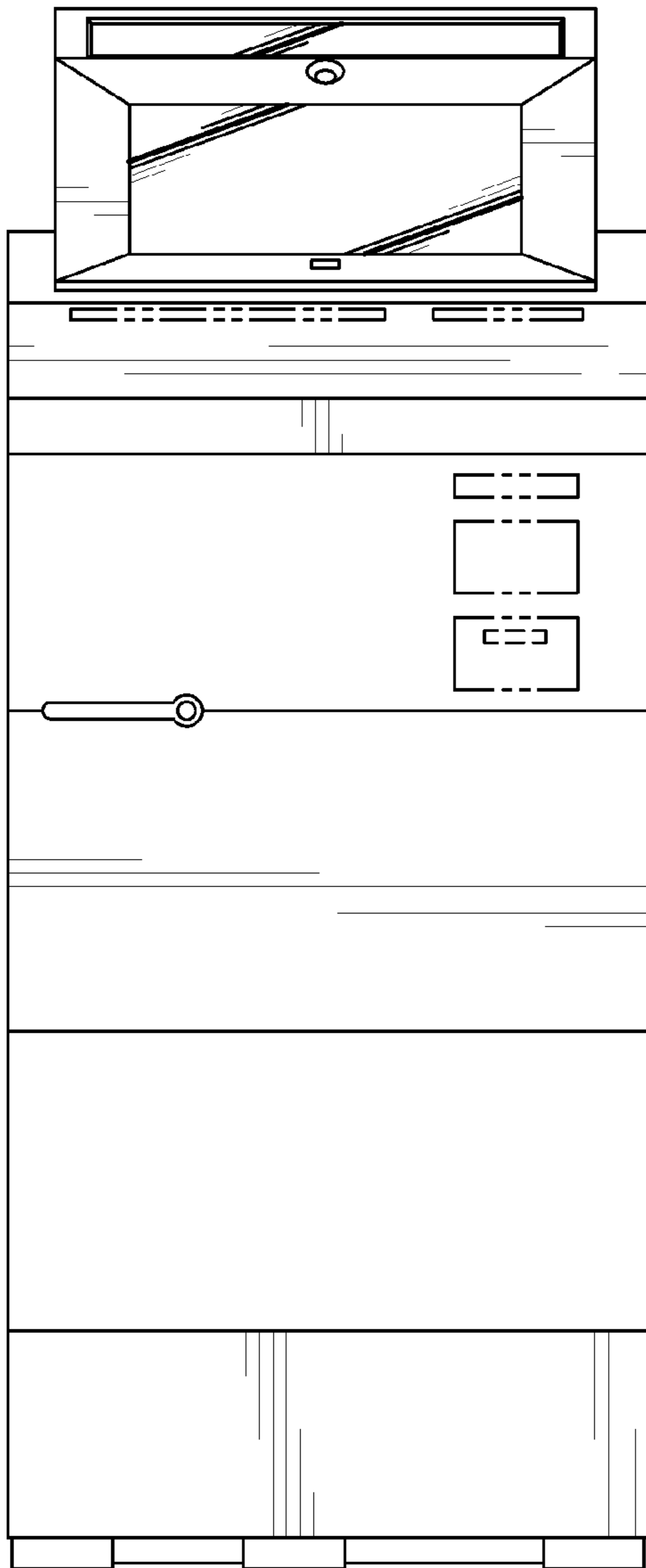


Fig-14

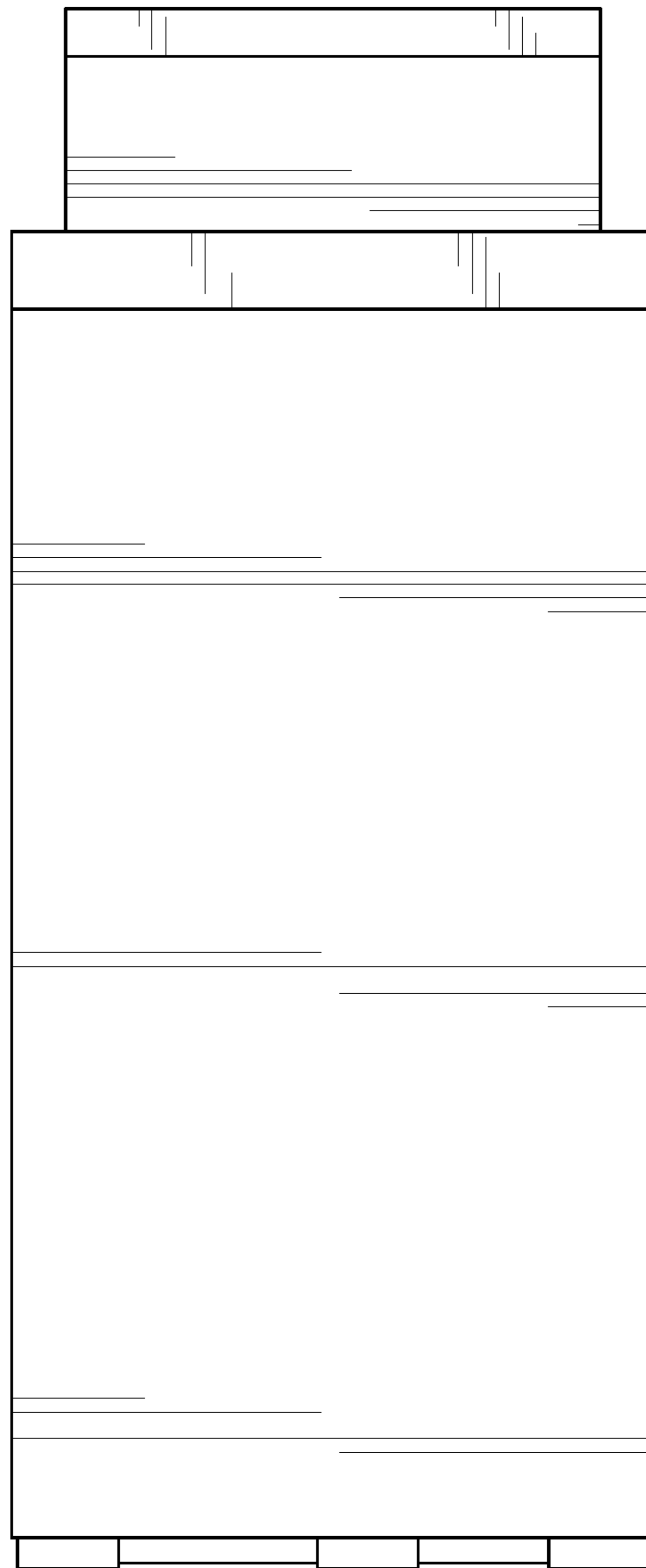


Fig-15

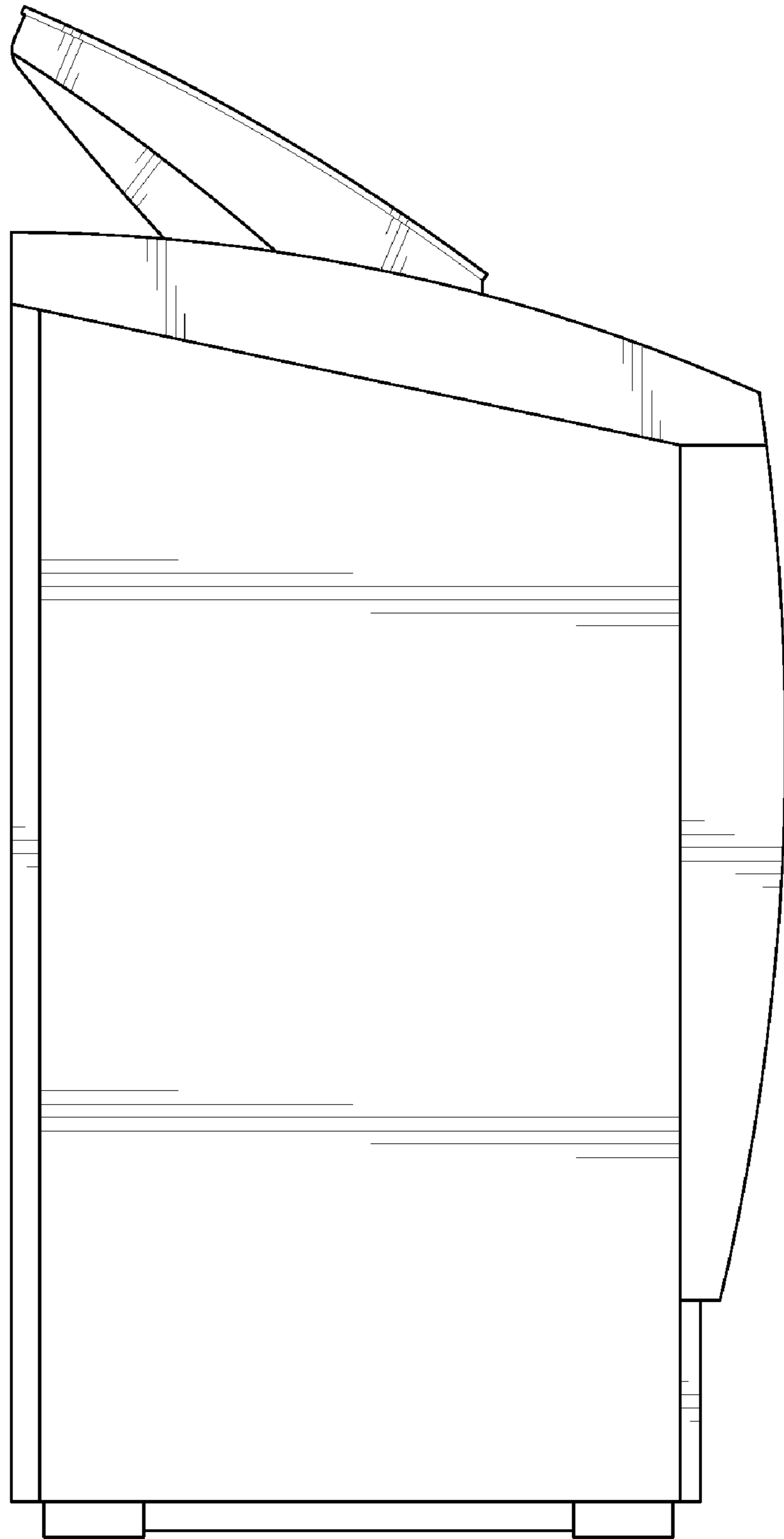


Fig-16

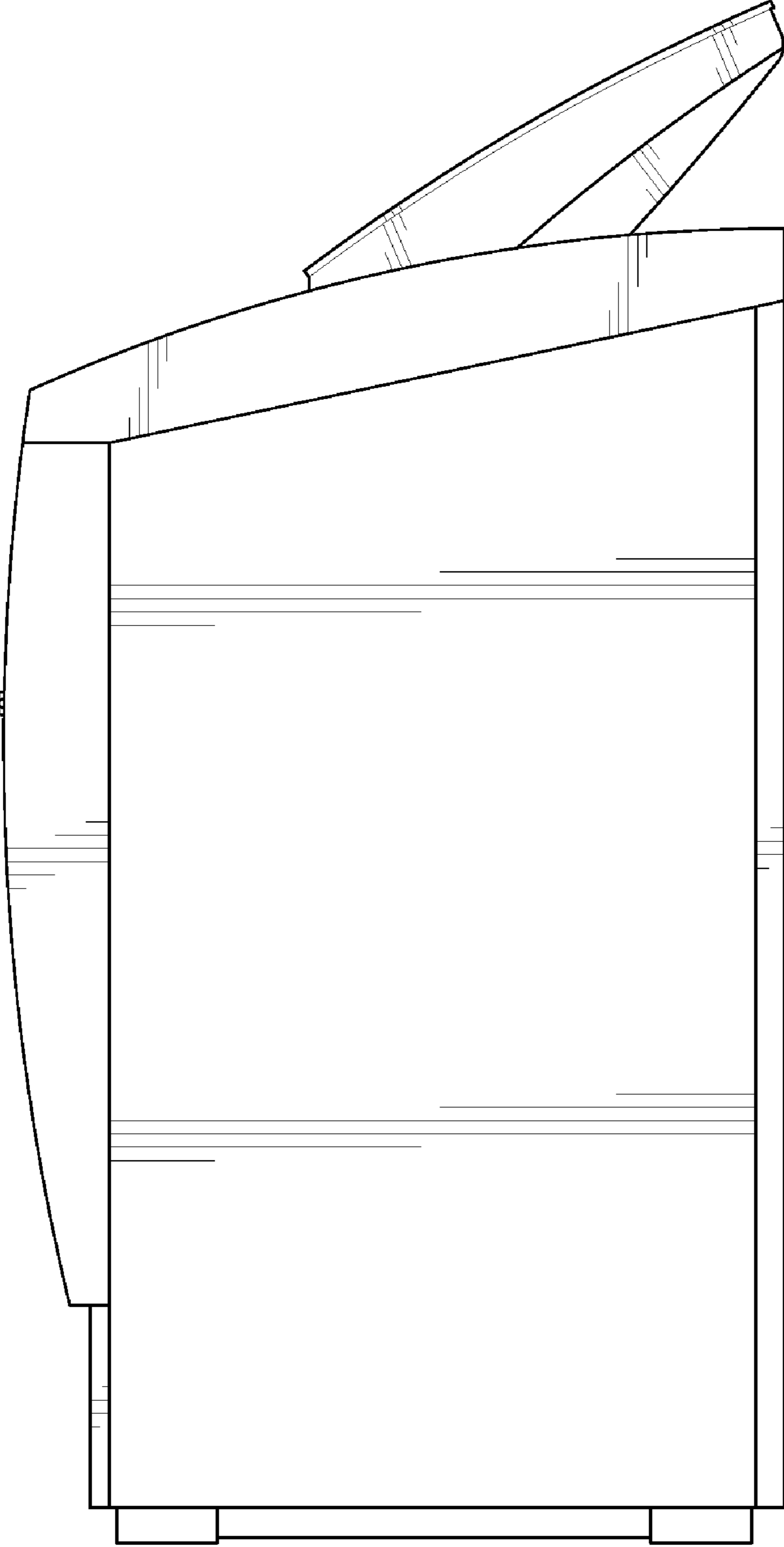


Fig-17

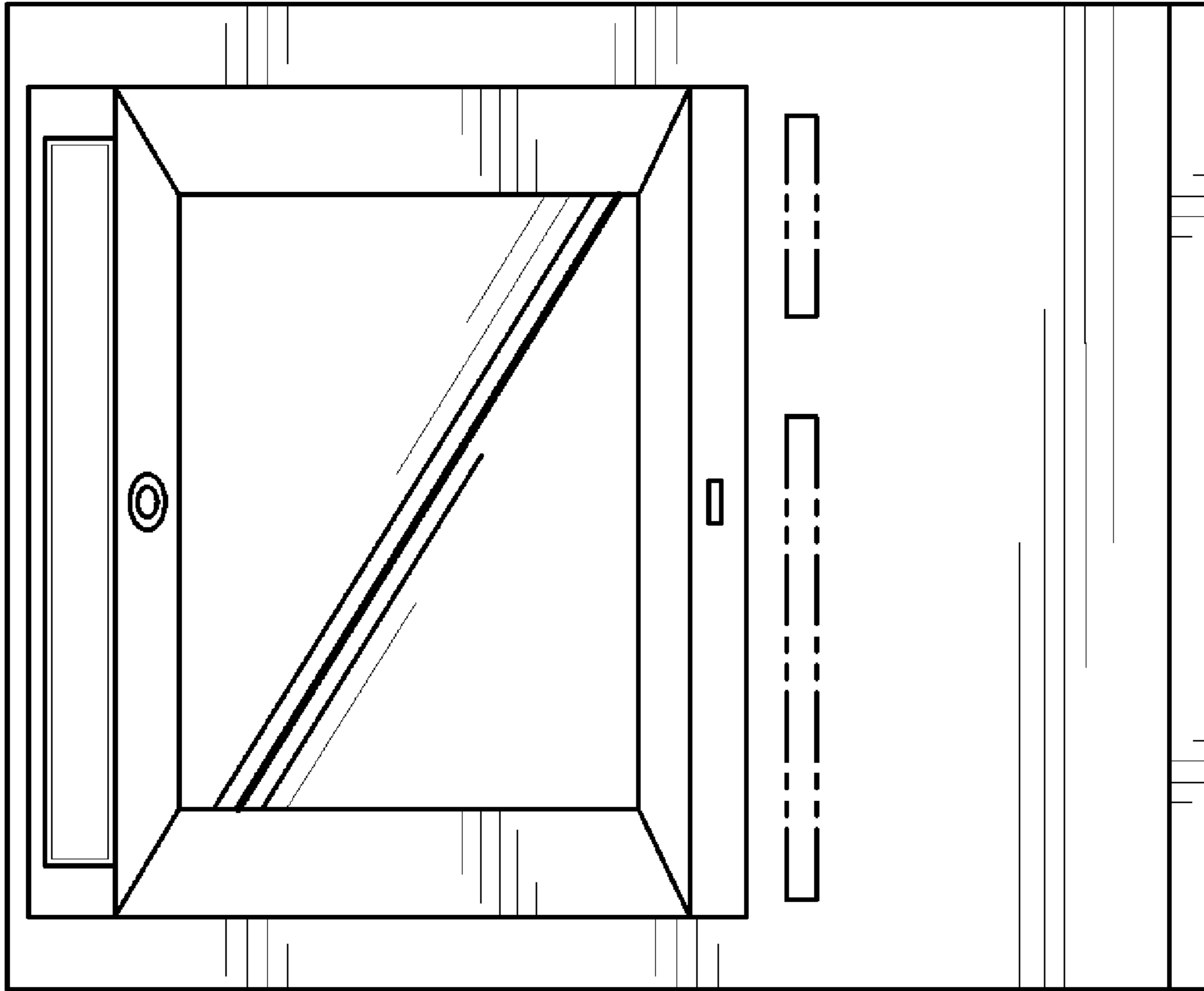


Fig-18