



US00D626544S

(12) **United States Design Patent**
Bleck et al.

(10) **Patent No.:** **US D626,544 S**

(45) **Date of Patent:** **** Nov. 2, 2010**

(54) **TERMINAL**

(75) Inventors: **Frank Bleck**, Paderborn (DE); **Udo Hesselbach**, Bueren (DE); **Bernd Kruse**, Altenbeken (DE); **Gregor Pollmann**, Paderborn (DE)

(73) Assignee: **Wincor Nixdorf International GmbH** (DE)

(**) Term: **14 Years**

(21) Appl. No.: **29/348,511**

(22) Filed: **Jan. 13, 2010**

(30) **Foreign Application Priority Data**

Jul. 22, 2009 (EM) 001589938

(51) **LOC (9) Cl.** **14-02**

(52) **U.S. Cl.** **D14/307; D99/28; D14/900; D14/901; D14/902**

(58) **Field of Classification Search** D14/32–307, D14/371, 373, 374, 336, 341, 125–127, 129, D14/900–902; D13/163; D20/10; D21/329, D21/332, 325, 369, 370; D99/28; D6/402, D6/309, 310; D18/4.1–4.6; 235/379; 271/164; 705/43, 715; 194/206; 361/679.1, 679.02, 361/679.04, 679.21, 679.57, 724
See application file for complete search history.

(56) **References Cited**

U.S. PATENT DOCUMENTS

D327,766	S	*	7/1992	Swaine et al.	D99/28
D395,458	S	*	6/1998	Smith et al.	D21/329
D410,902	S	*	6/1999	Chiocchi	D14/331
D414,163	S	*	9/1999	Hesselbach	D14/387
D419,277	S	*	1/2000	Ishii et al.	D99/35
6,125,028	A	*	9/2000	Matsumoto	361/679.22
D436,999	S	*	1/2001	Cronley	D20/10
D447,164	S	*	8/2001	Forslund	D18/3.1
D448,040	S	*	9/2001	Forslund	D18/3.1
D451,968	S	*	12/2001	Sano	D21/325
D471,192	S	*	3/2003	Lin et al.	D14/335
D473,269	S	*	4/2003	Tsuda	D21/329
D483,760	S	*	12/2003	Berr et al.	D14/383
D483,761	S	*	12/2003	Berr et al.	D14/383

6,748,101	B1	*	6/2004	Jones et al.	382/135
D502,243	S	*	2/2005	King	D21/811
6,857,804	B2	*	2/2005	Luciano et al.	400/691
D503,450	S	*	3/2005	King	D21/811
7,191,948	B1	*	3/2007	Baitz et al.	235/462.43
D566,702	S	*	4/2008	Malone et al.	D14/307
D574,377	S	*	8/2008	Derocher et al.	D14/307
D589,048	S	*	3/2009	Nossek	D14/455
D590,575	S	*	4/2009	Bleck	D99/43
D605,190	S	*	12/2009	Kuroda et al.	D14/307

* cited by examiner

Primary Examiner—Stella M Reid

Assistant Examiner—Deanna Fluegeman

(74) *Attorney, Agent, or Firm*—Harness, Dickey & Pierce, P.L.C.

(57) **CLAIM**

The ornamental design for a terminal, as shown and described.

DESCRIPTION

FIG. 1 is a perspective view of one embodiment of a terminal embodying our new design;

FIG. 2 is a front view thereof;

FIG. 3 is a left side view thereof;

FIG. 4 is a right side view thereof;

FIG. 5 is a perspective view of a second embodiment of a terminal embodying our new design;

FIG. 6 is a front view thereof;

FIG. 7 is a left side view thereof;

FIG. 8 is a right side view thereof;

FIG. 9 is a perspective view of a third embodiment of a terminal embodying our new design;

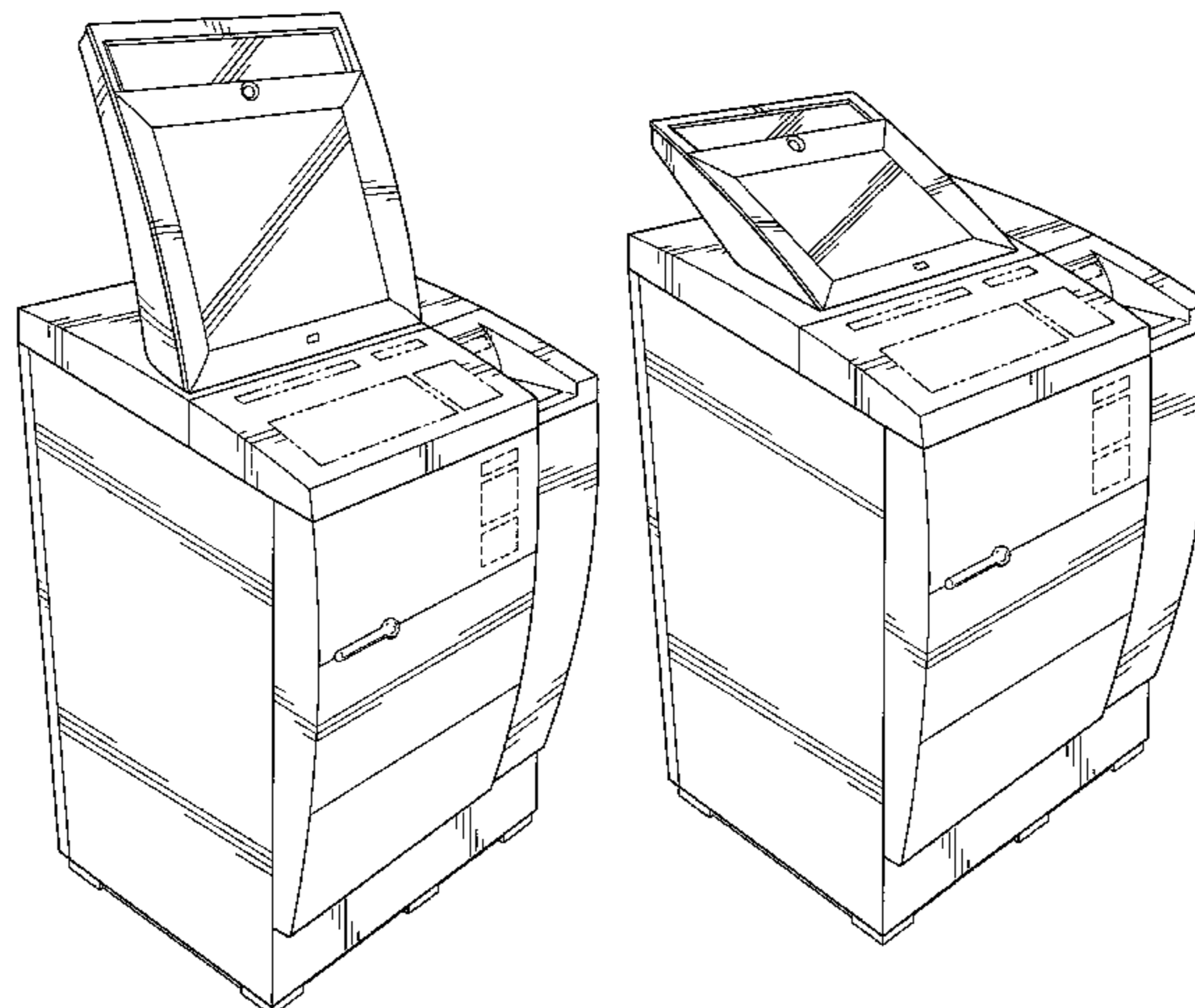
FIG. 10 is a front view thereof;

FIG. 11 is a left side view thereof; and,

FIG. 12 is a right side view thereof.

The broken lines are for illustrative purposes only and do not form part of the claimed design.

1 Claim, 12 Drawing Sheets



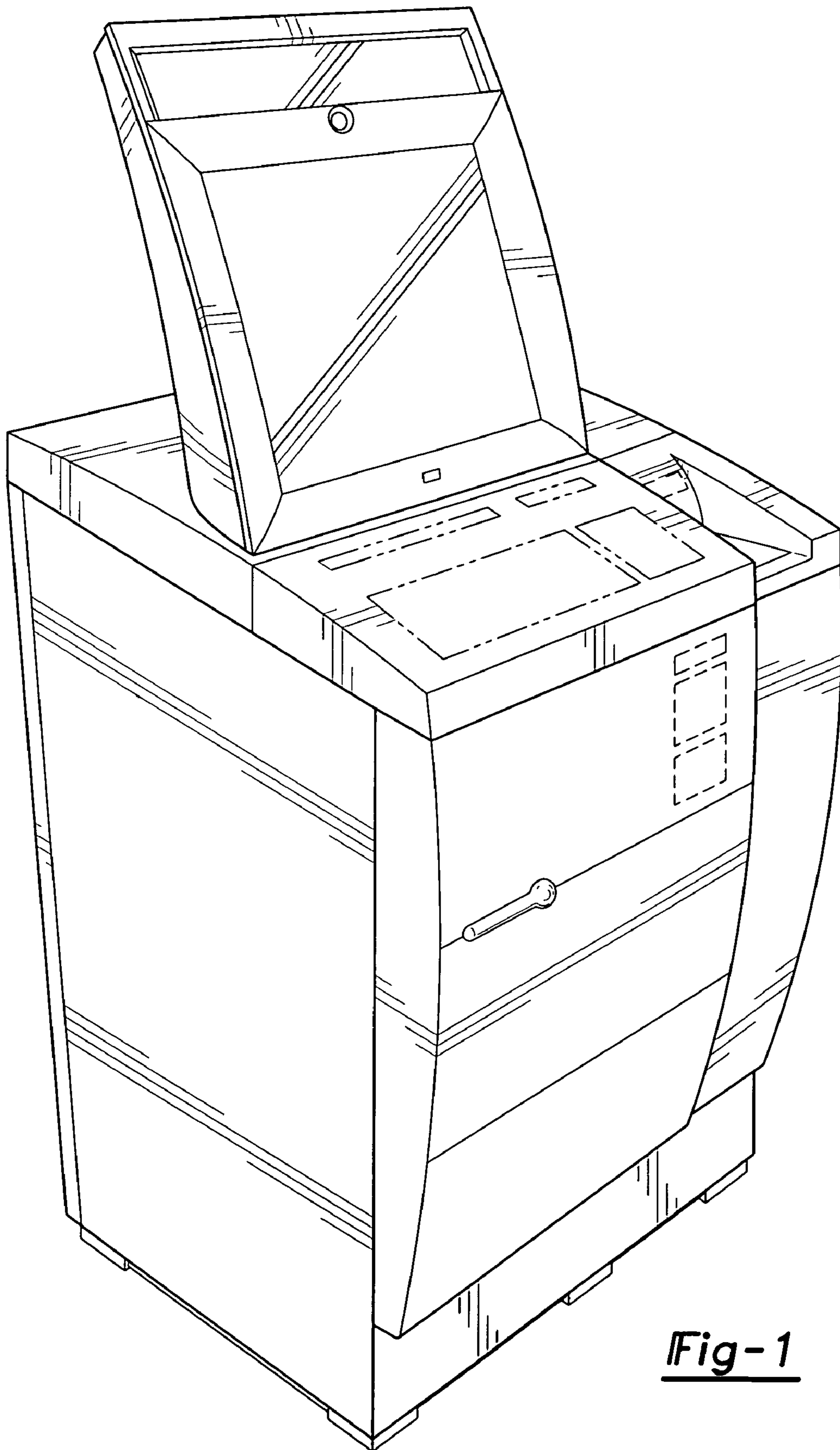


Fig-1

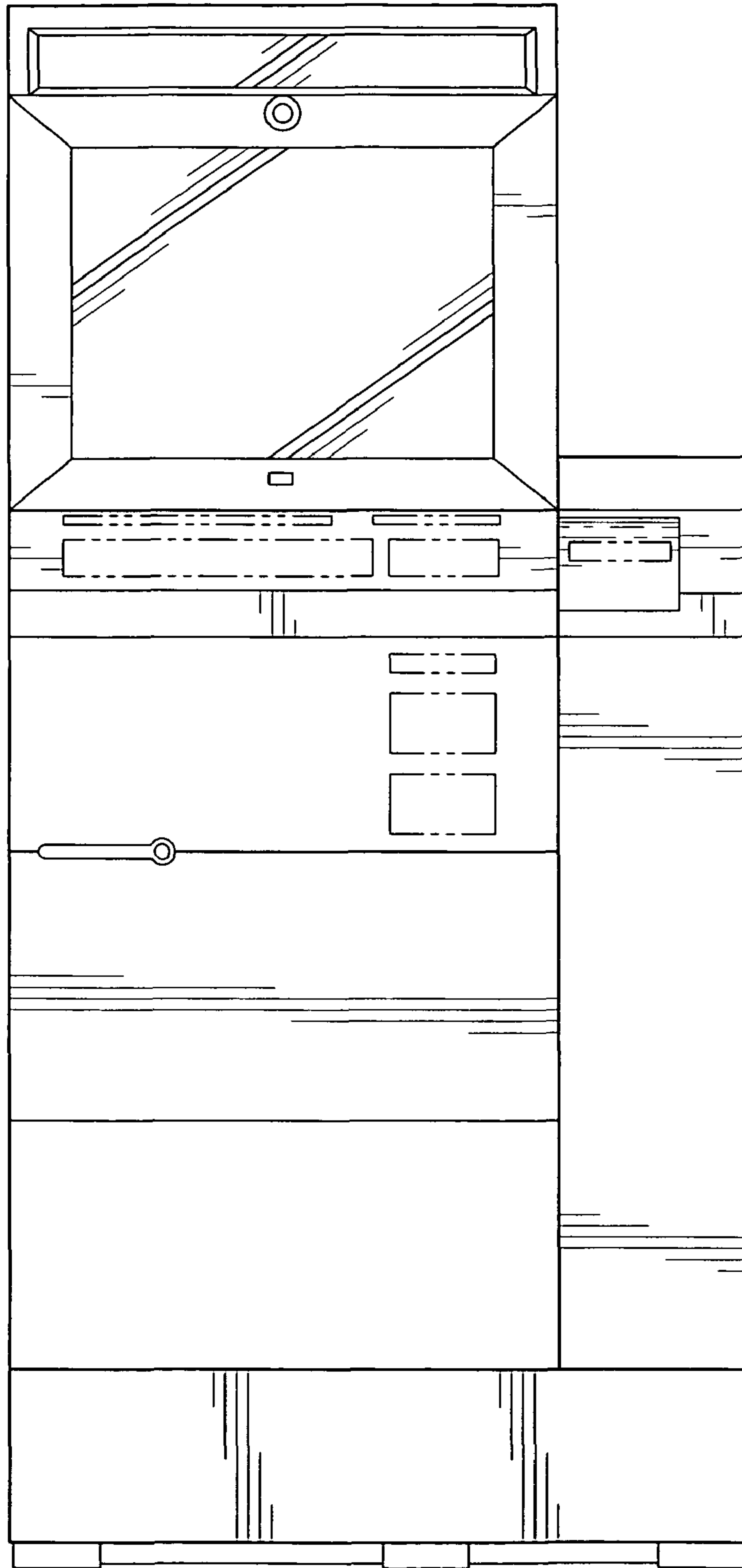


Fig-2

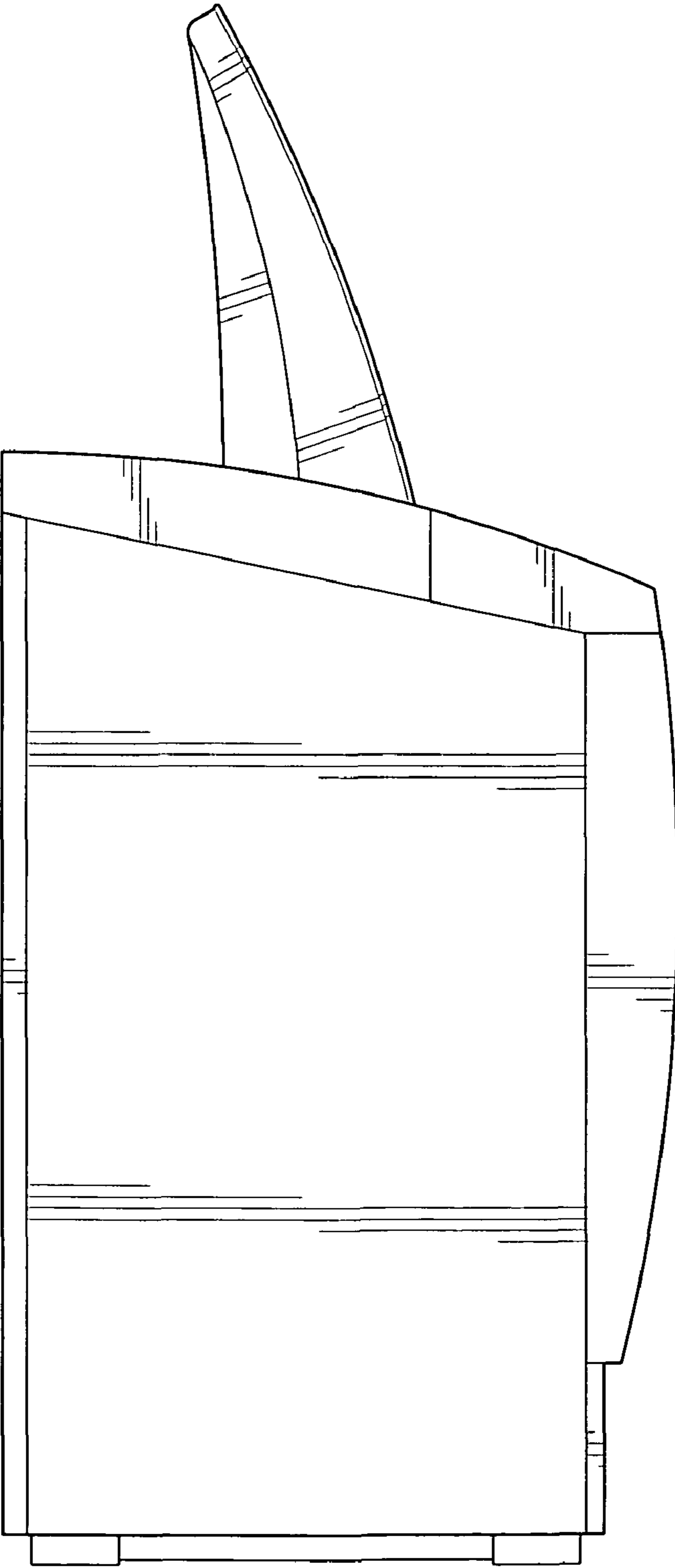


Fig-3

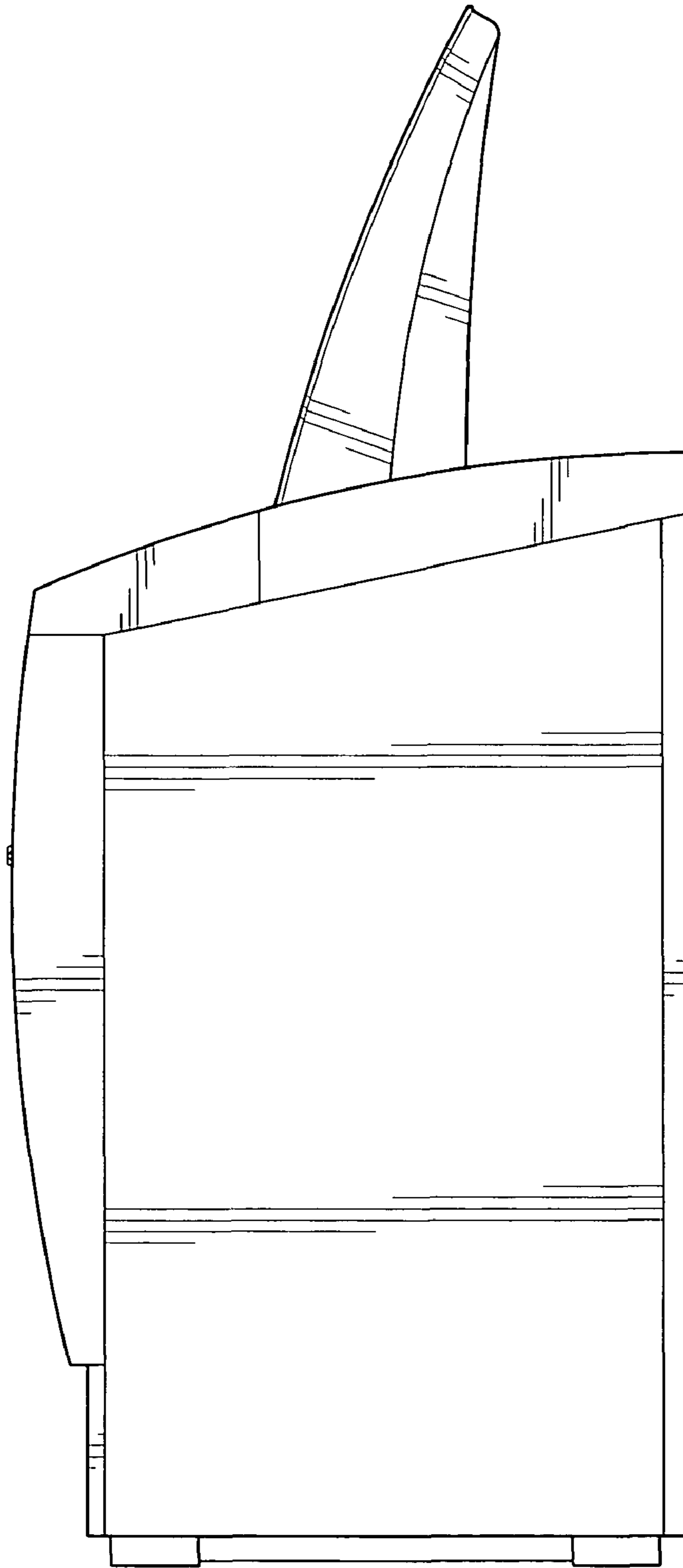


Fig-4

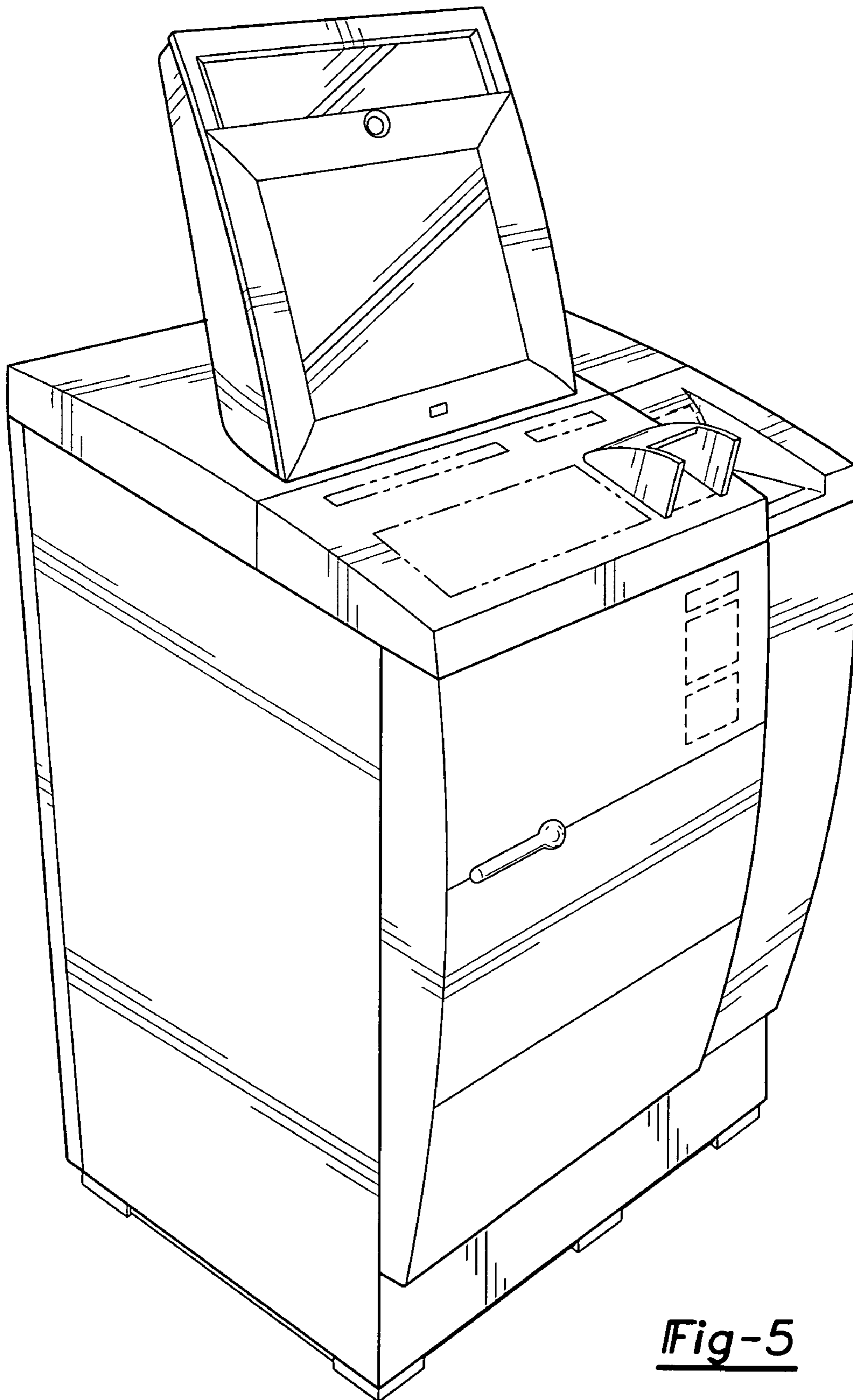


Fig-5

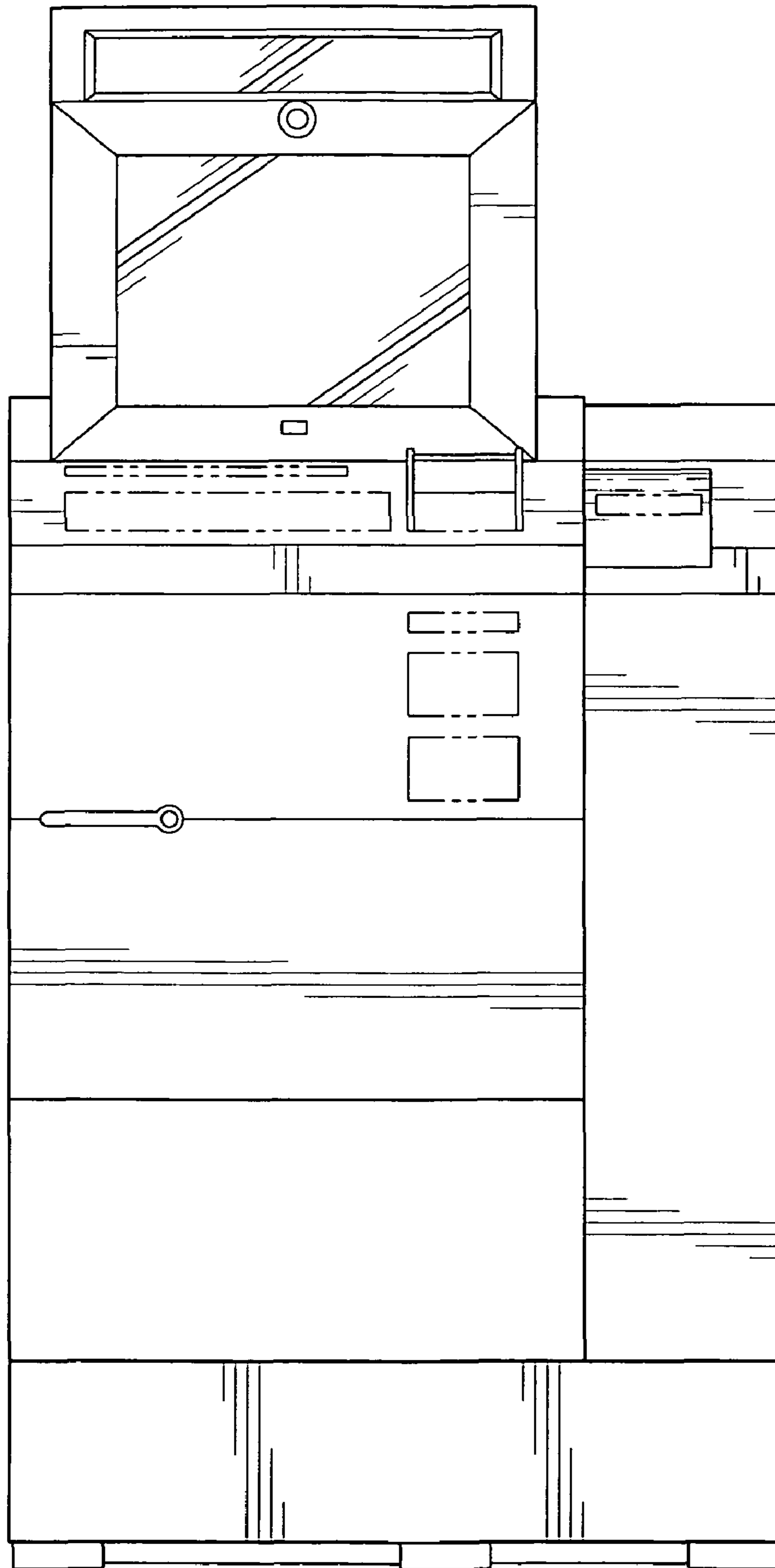


Fig-6

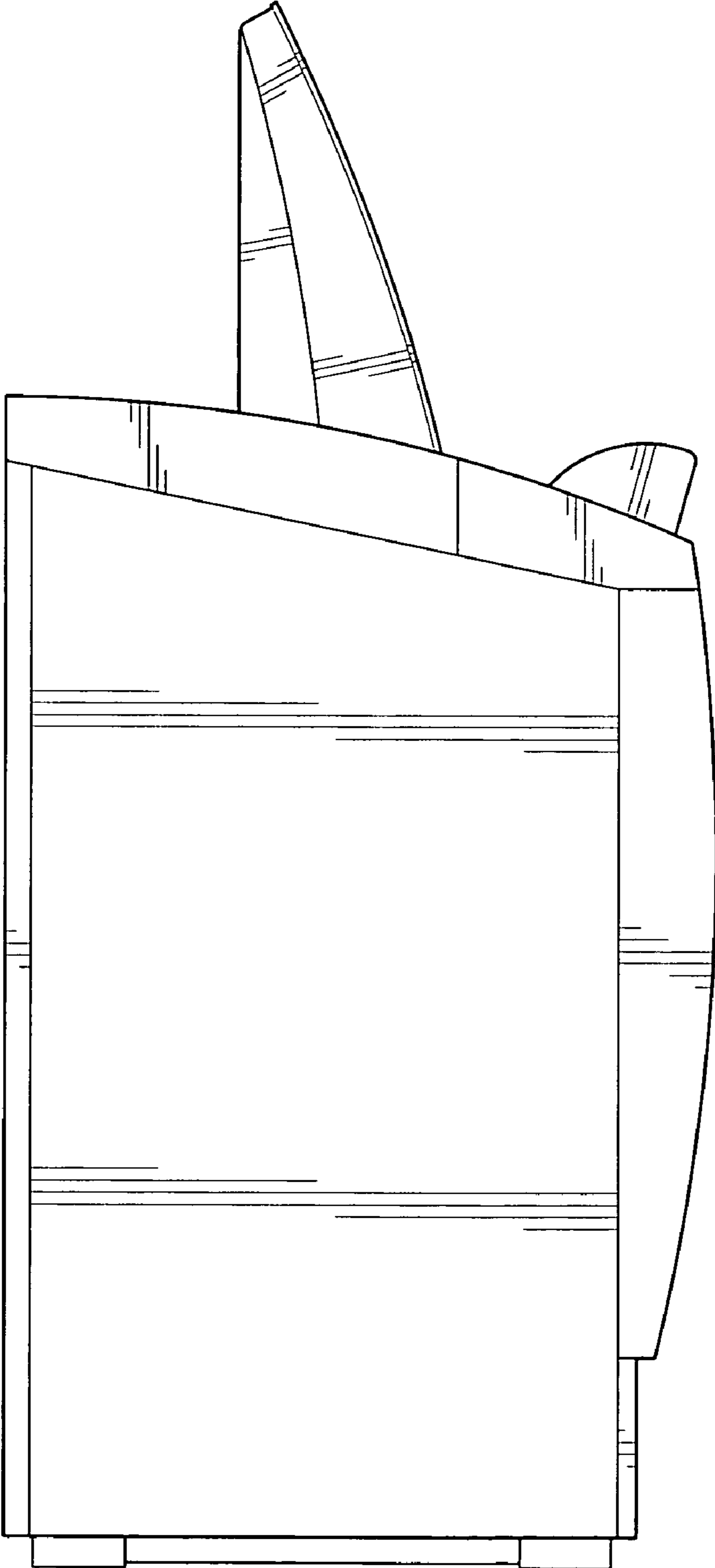


Fig-7

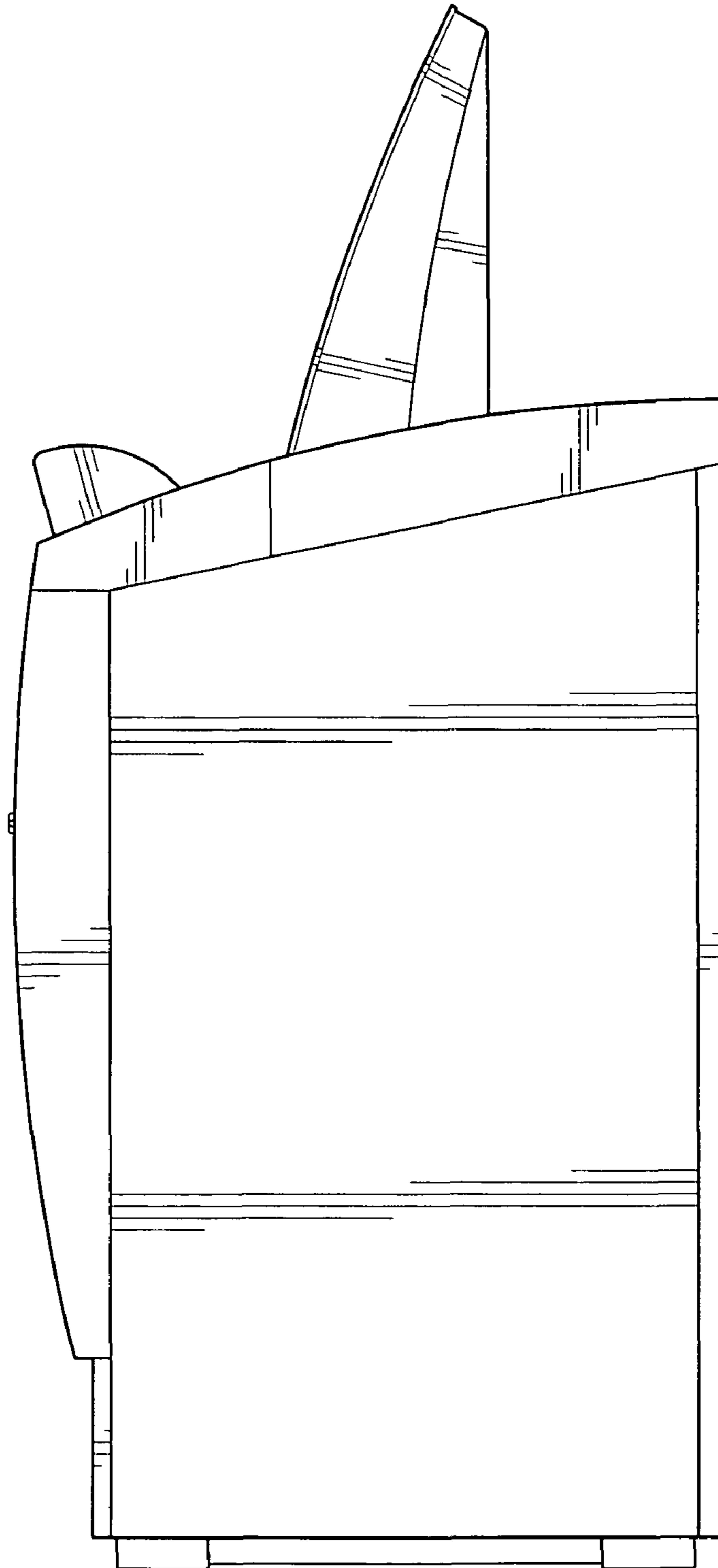


Fig-8

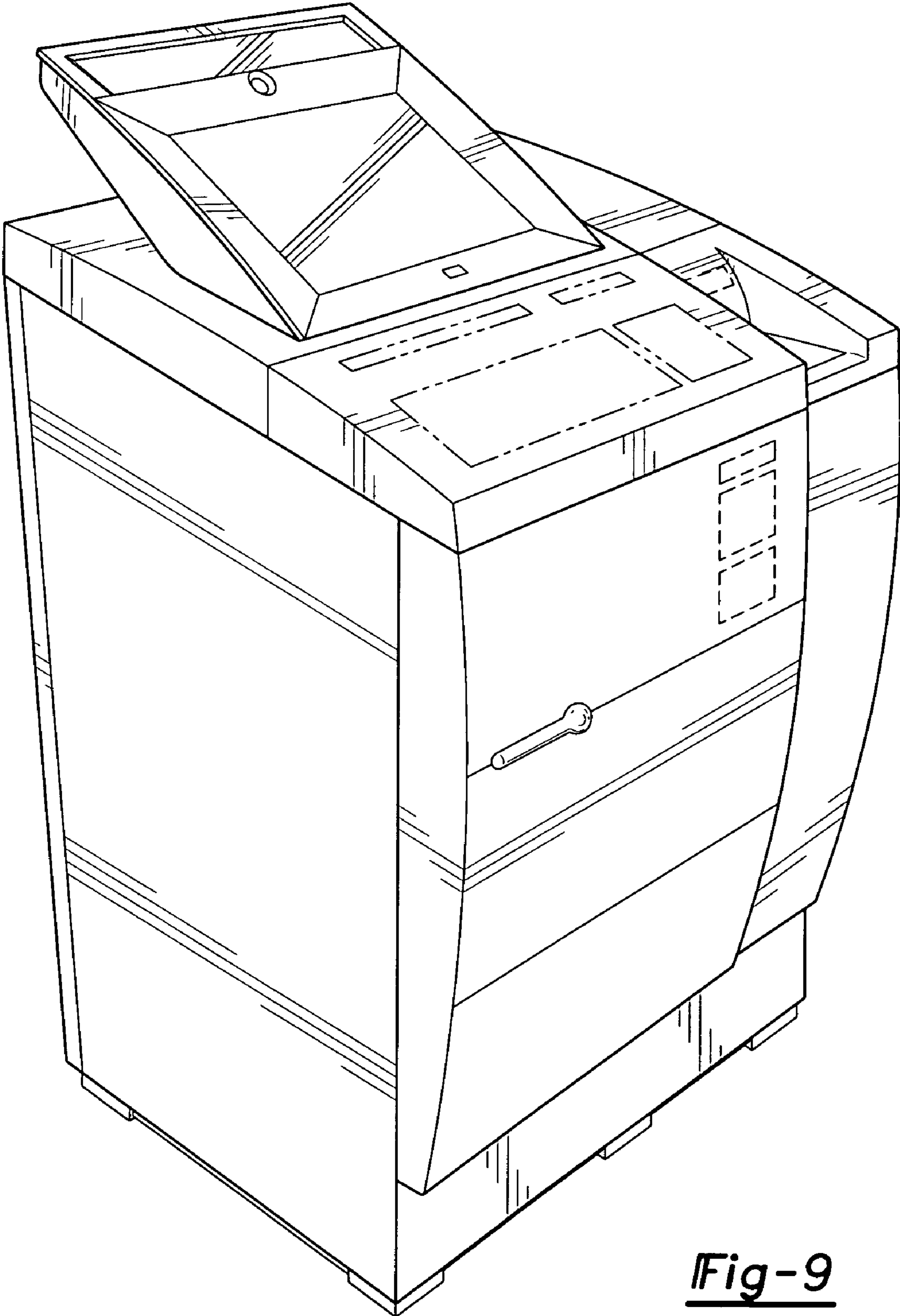


Fig-9

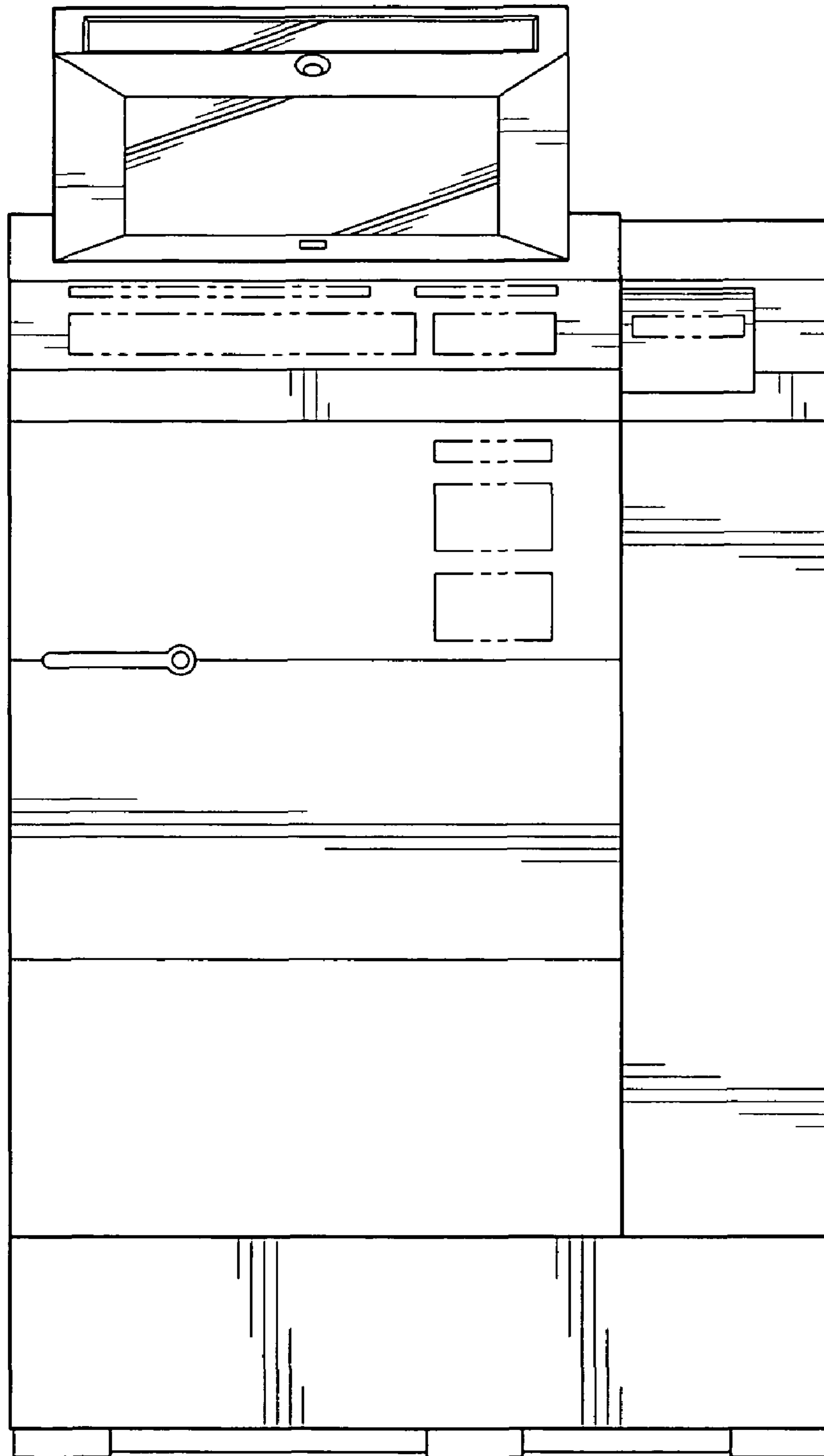


Fig-10

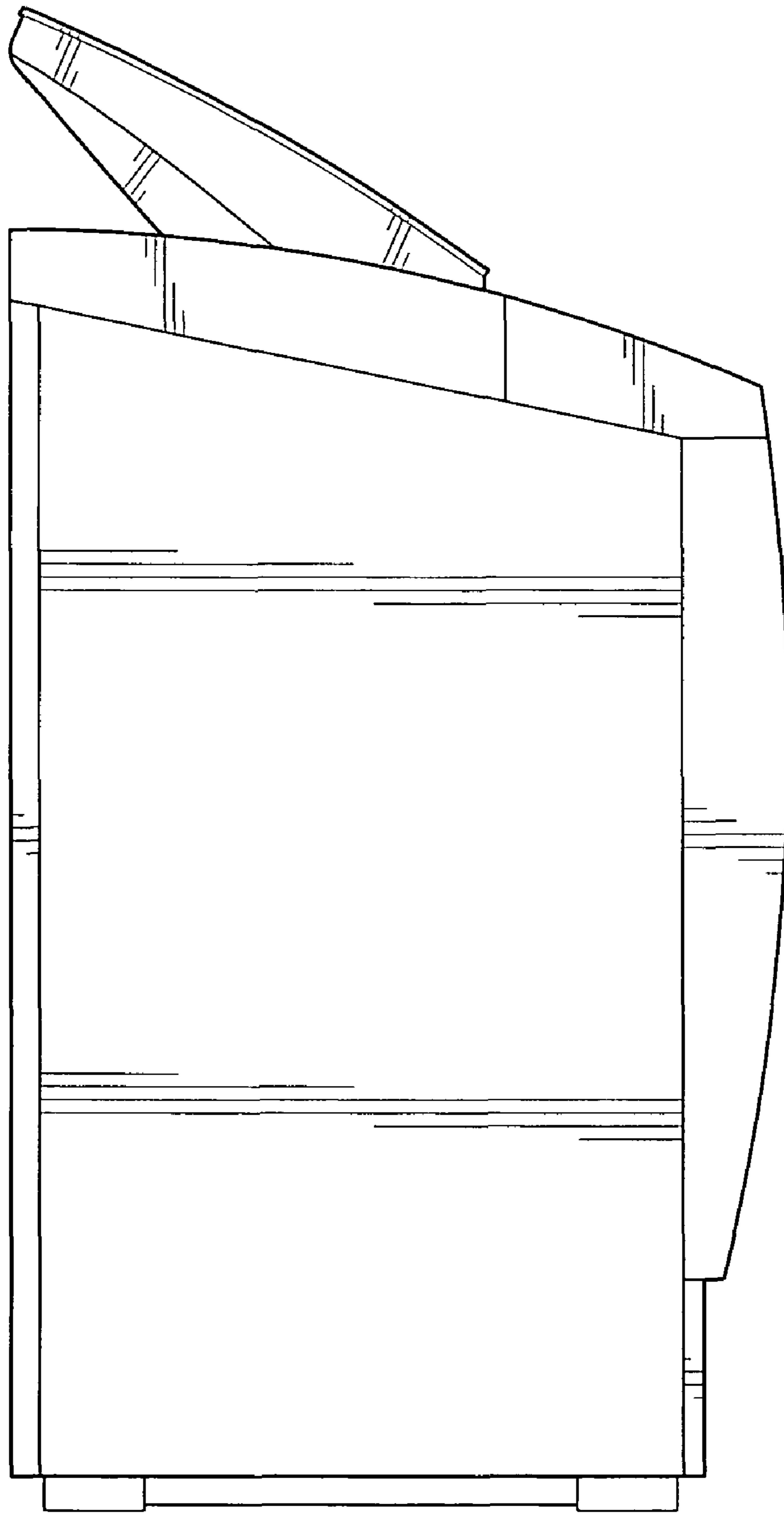


Fig-11

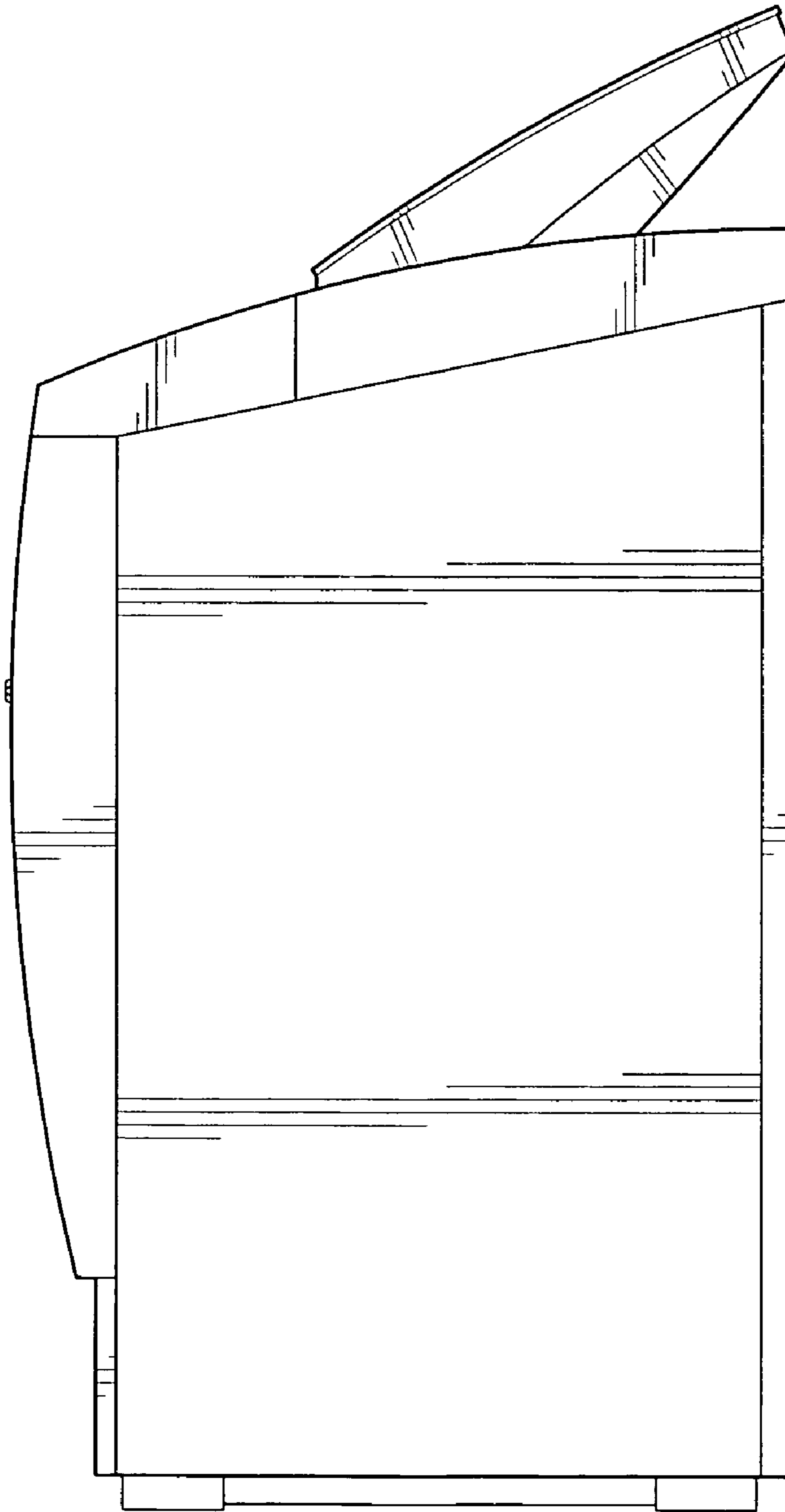


Fig-12