



US00D626543S

(12) **United States Design Patent**
Hagen

(10) **Patent No.:** **US D626,543 S**
(45) **Date of Patent:** **** Nov. 2, 2010**

(54) **KIOSK**
(75) Inventor: **George Lynn Hagen**, Flagstaff, AZ (US)
(73) Assignee: **Tagworks, L.L.C.**, Tempe, AZ (US)
(**) Term: **14 Years**
(21) Appl. No.: **29/340,966**
(22) Filed: **Jul. 28, 2009**

D568,054 S * 5/2008 Boutin D6/301
D580,183 S * 11/2008 Hirai D6/303
D582,165 S * 12/2008 Li et al. D6/309
D601,143 S * 9/2009 Oikawa et al. D14/371
D613,952 S * 4/2010 Yang et al. D6/309
D616,402 S * 5/2010 Chien D14/126

* cited by examiner

Primary Examiner—Stella M Reid
Assistant Examiner—Deanna Fluegeman
(74) *Attorney, Agent, or Firm*—Booth Udall, PLC

(51) **LOC (9) Cl.** **14-02**
(52) **U.S. Cl.** **D14/307; D14/900; D14/902**
(58) **Field of Classification Search** D14/32–307,
D14/371, 373, 374, 336, 341, 125–127, 129,
D14/900–902; D13/163; D20/10; D21/329,
D21/332, 325, 369, 370; D99/28; D6/402,
D6/309, 310; D18/4.1–4.6; 235/379; 271/164;
705/43; 194/206; 361/679.1, 679.02, 679.04,
361/679.21, 679.57, 724; D30/155; D11/79
See application file for complete search history.

(57) **CLAIM**

The ornamental design for a kiosk, as shown and described.

DESCRIPTION

FIG. 1 is a right side view of a first embodiment of a kiosk;
FIG. 2 is a front view thereof;
FIG. 3 is a left side view thereof;
FIG. 4 is a rear view thereof;
FIG. 5 is a top view thereof;
FIG. 6 is a top left perspective view thereof;
FIG. 7 is a right side view of a second embodiment of a kiosk;
FIG. 8 is a front view thereof;
FIG. 9 is a left side view thereof;
FIG. 10 is a rear view thereof;
FIG. 11 is a top view thereof;
FIG. 12 is a top left perspective view thereof;
FIG. 13 is a right side view of a third embodiment of a kiosk;
FIG. 14 is a front view thereof;
FIG. 15 is a left side view thereof;
FIG. 16 is a rear view thereof;
FIG. 17 is a top view thereof; and,
FIG. 18 is a top left perspective view thereof.

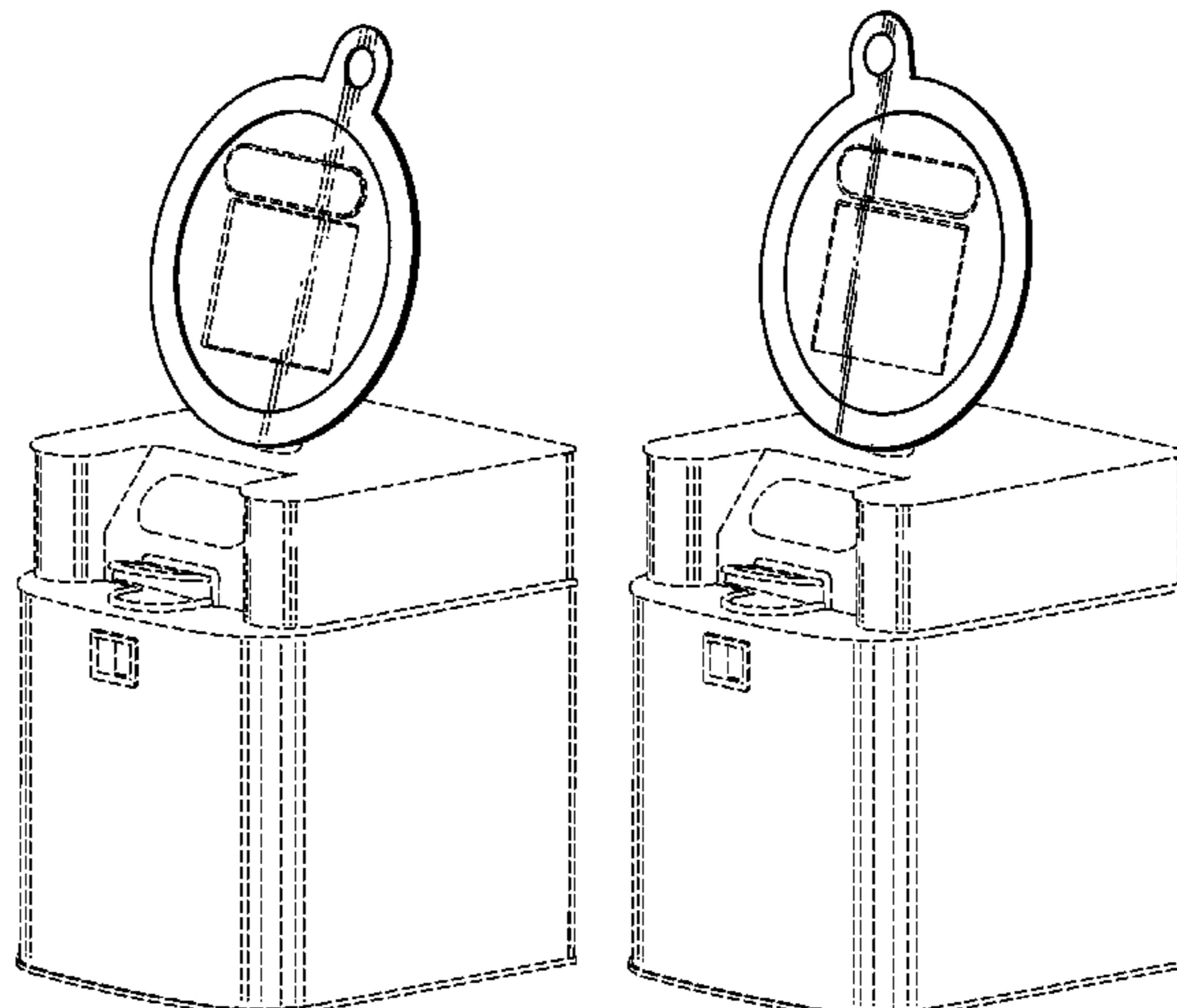
The broken lines in the drawings illustrate unclaimed portions of the kiosk and form no part of the claimed design.

(56) **References Cited**

U.S. PATENT DOCUMENTS

D252,410 S * 7/1979 Graser D99/28
D362,123 S * 9/1995 Johnston et al. D6/303
D386,690 S * 11/1997 Lewis D10/15
D434,399 S * 11/2000 Lanet D14/130
D435,597 S * 12/2000 Febish et al. D20/10
D453,510 S * 2/2002 Goto D14/371
D454,671 S * 3/2002 Miller et al. D30/155
D457,160 S * 5/2002 Goto D14/371
D458,254 S * 6/2002 Goto D14/371
D462,352 S * 9/2002 Goto D14/371
D466,418 S * 12/2002 Kwok D10/15
D470,490 S * 2/2003 Lin D14/375
D470,492 S * 2/2003 Lin D14/376
D482,031 S * 11/2003 Lin D14/371
D483,275 S * 12/2003 Chen D10/15
D495,709 S * 9/2004 Walker et al. D14/375
D498,755 S * 11/2004 Chen D14/371
D522,983 S * 6/2006 Lin D14/126
D533,850 S * 12/2006 Hoehn et al. D14/126
D550,663 S * 9/2007 Olea D14/307

1 Claim, 12 Drawing Sheets



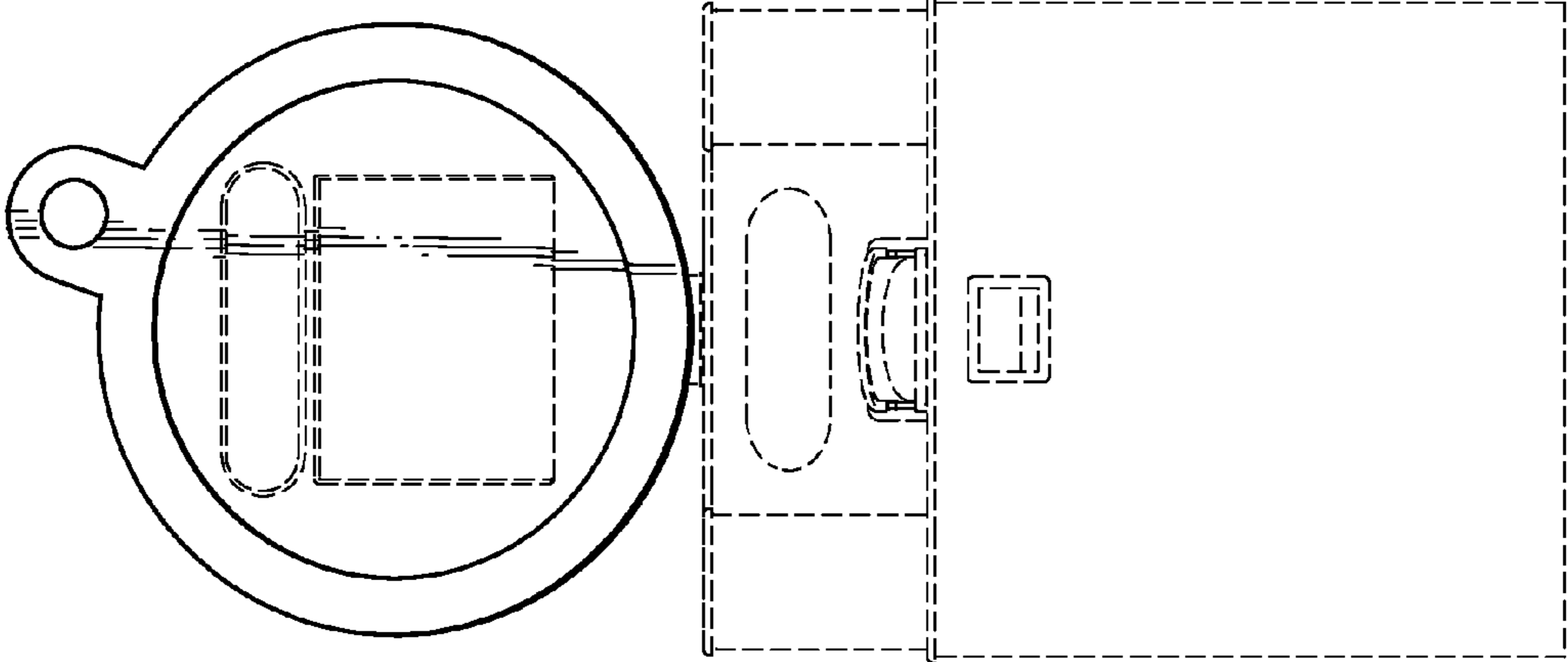


FIG. 1

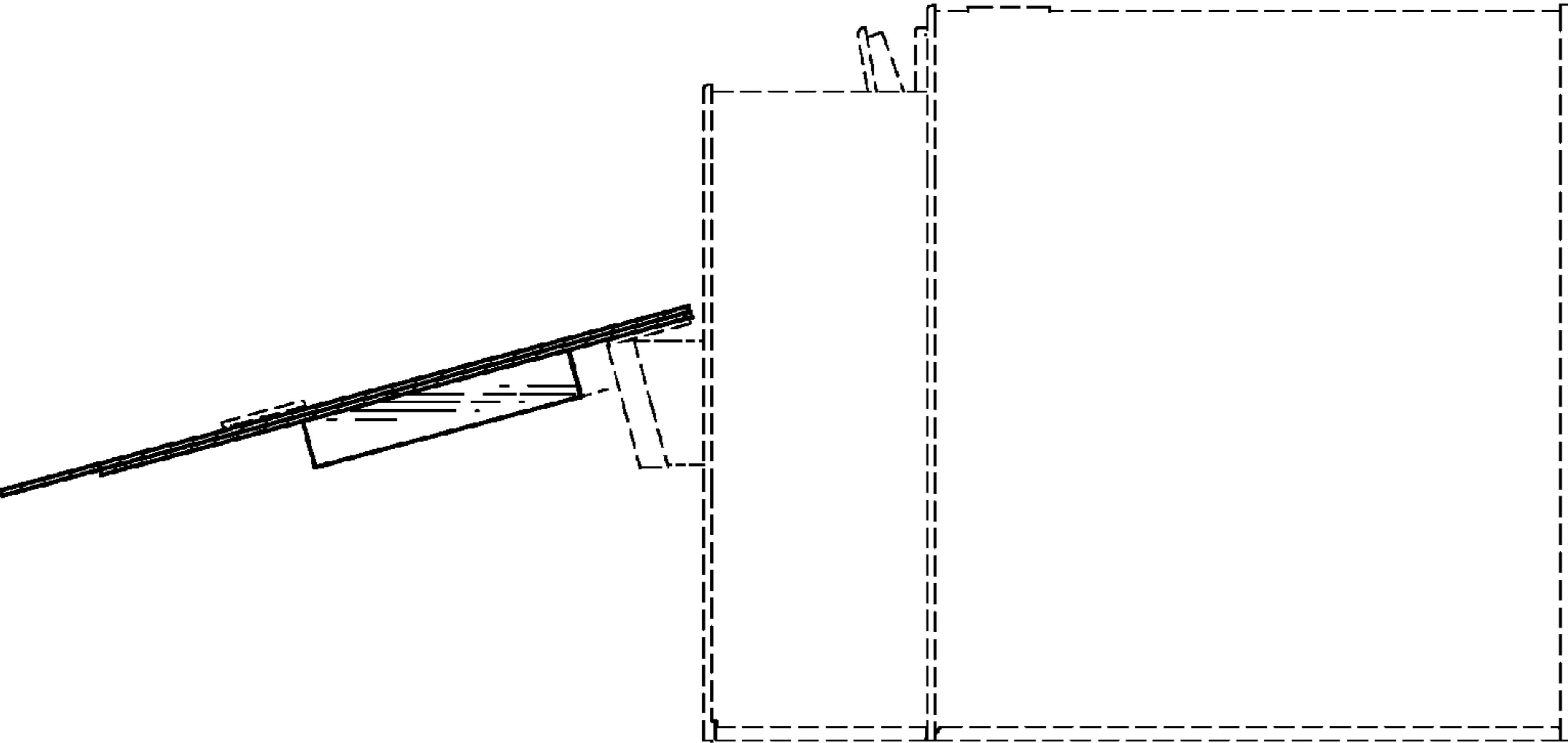


FIG. 2

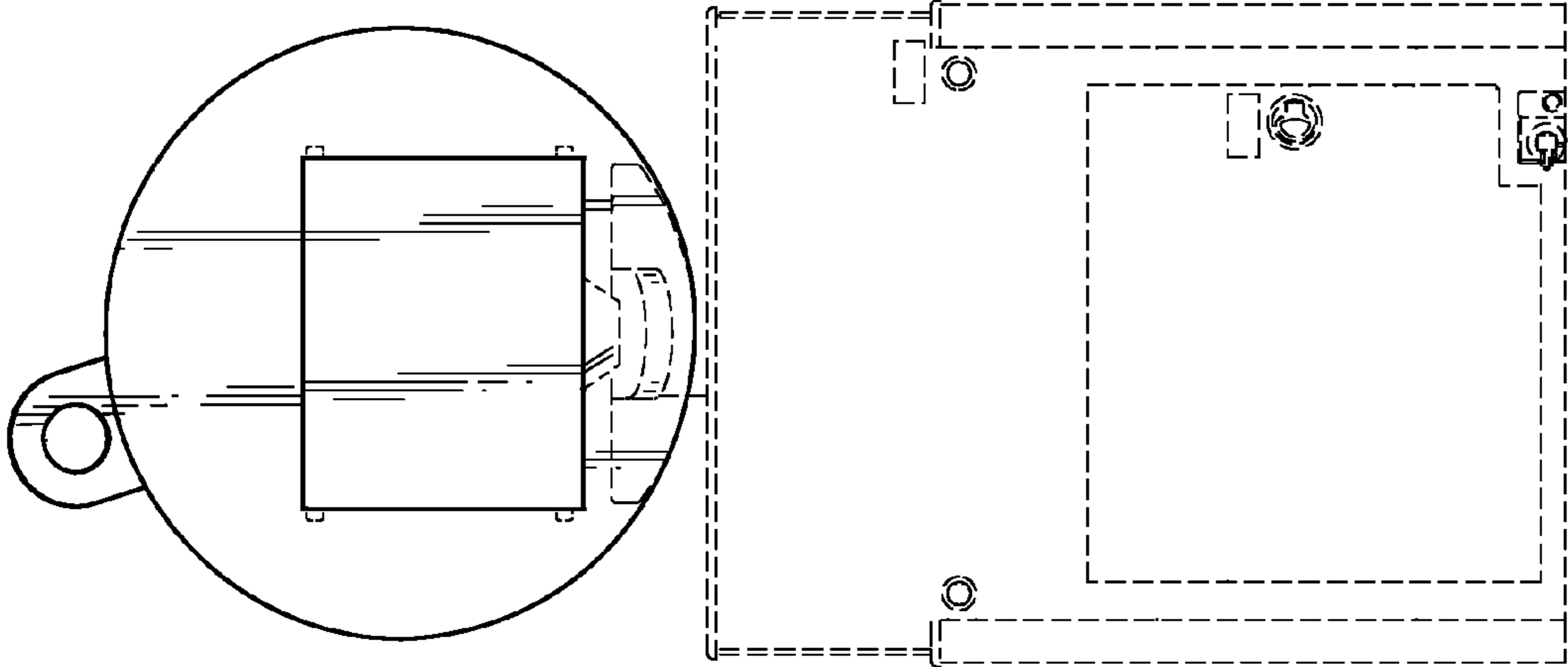


FIG. 4

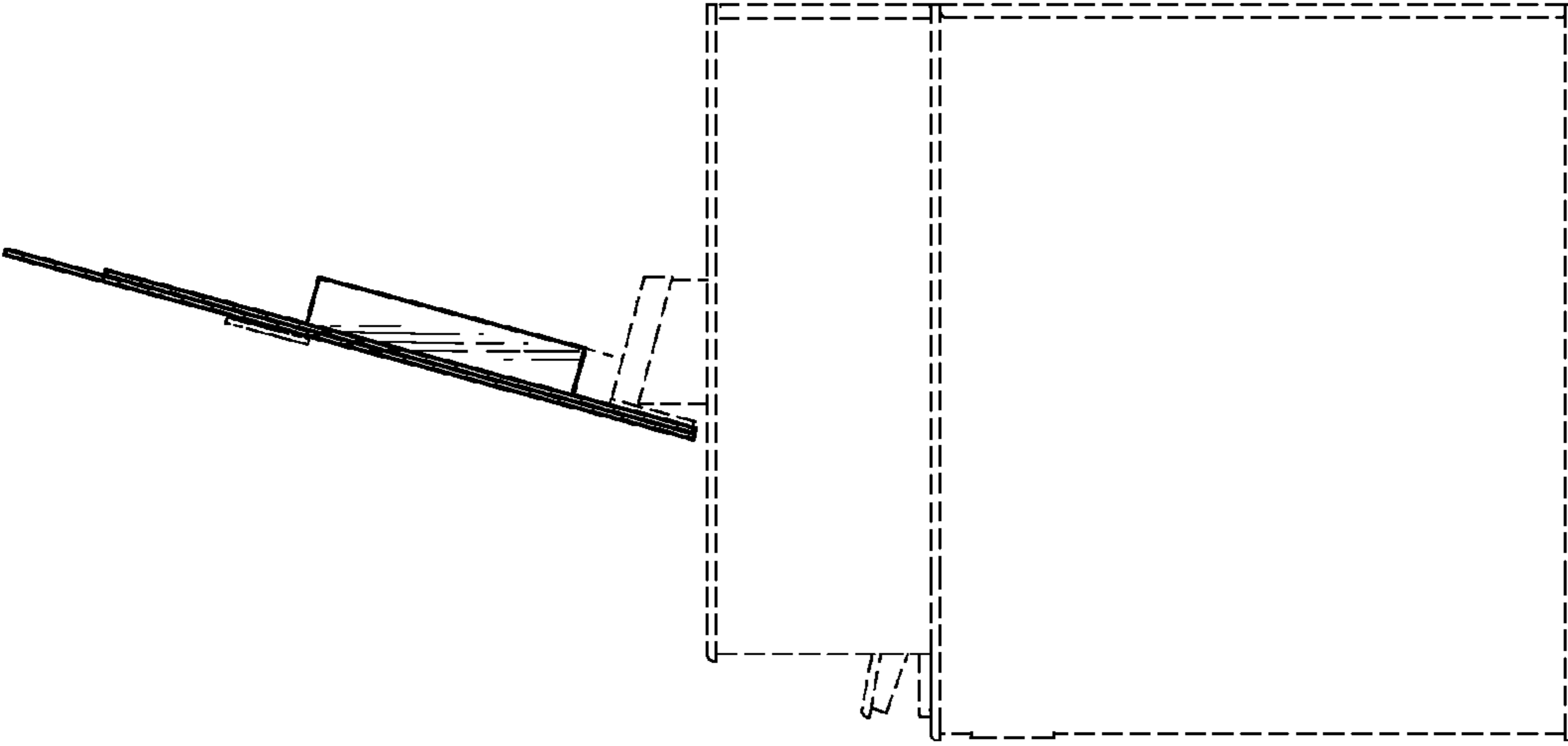


FIG. 3

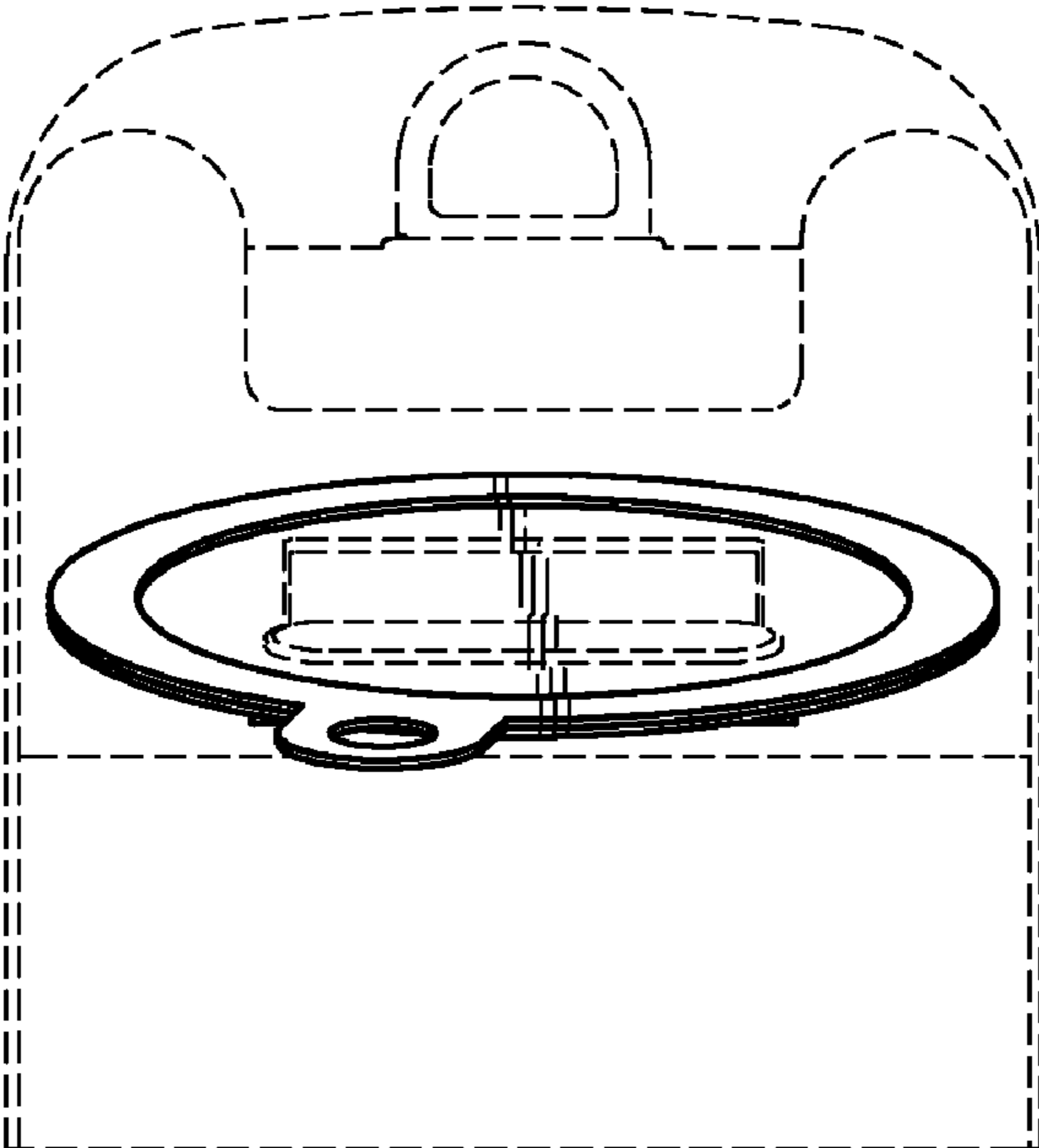


FIG. 5

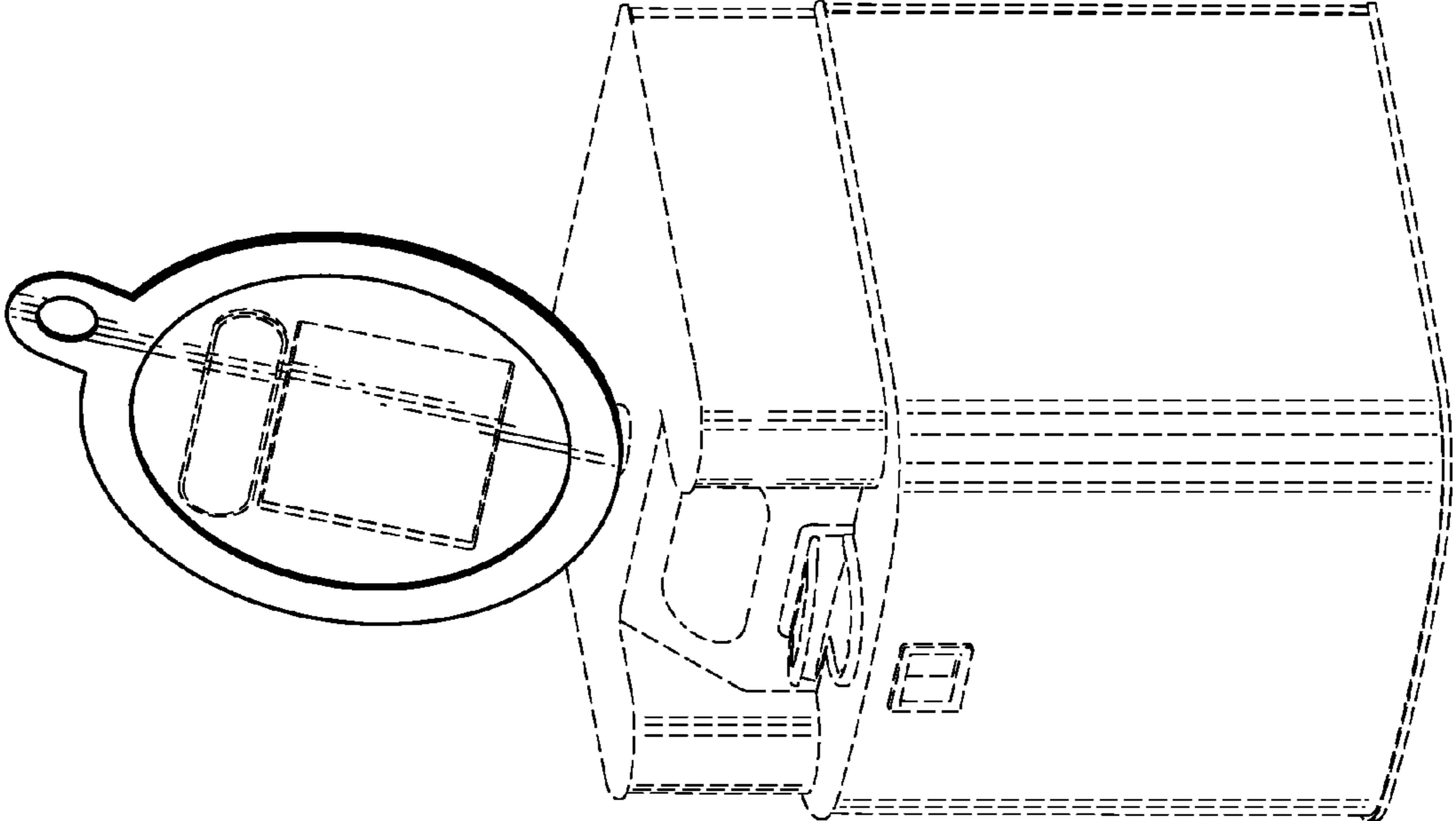


FIG. 6

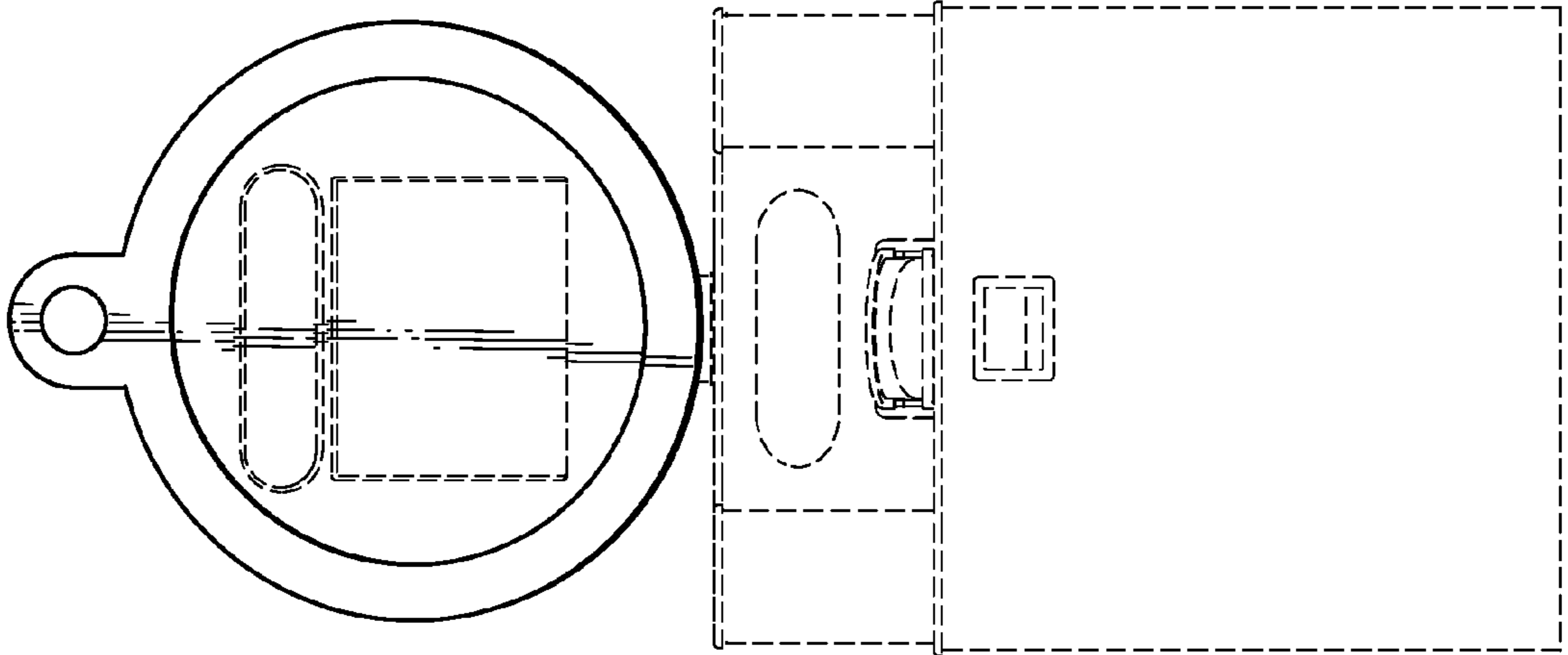


FIG. 7

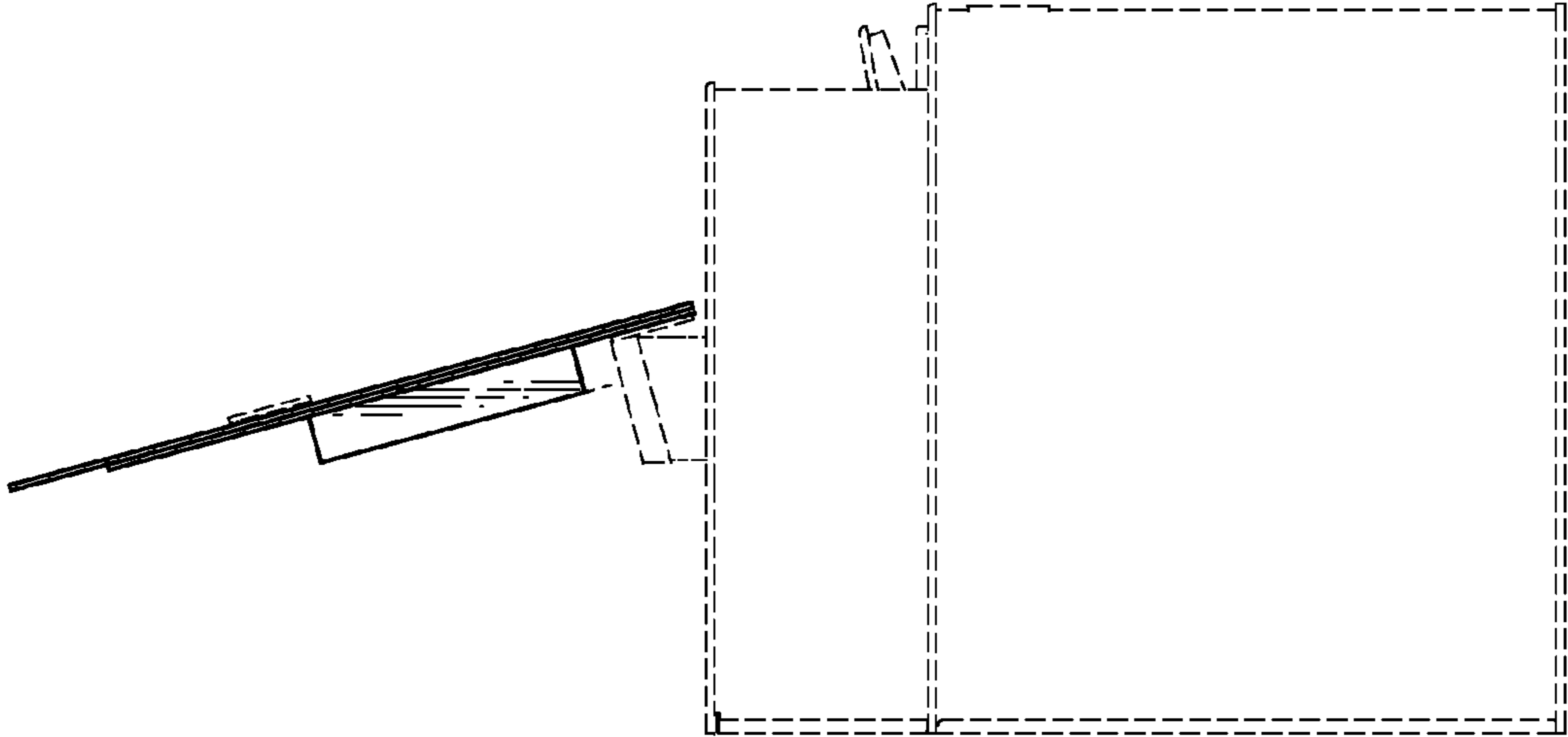
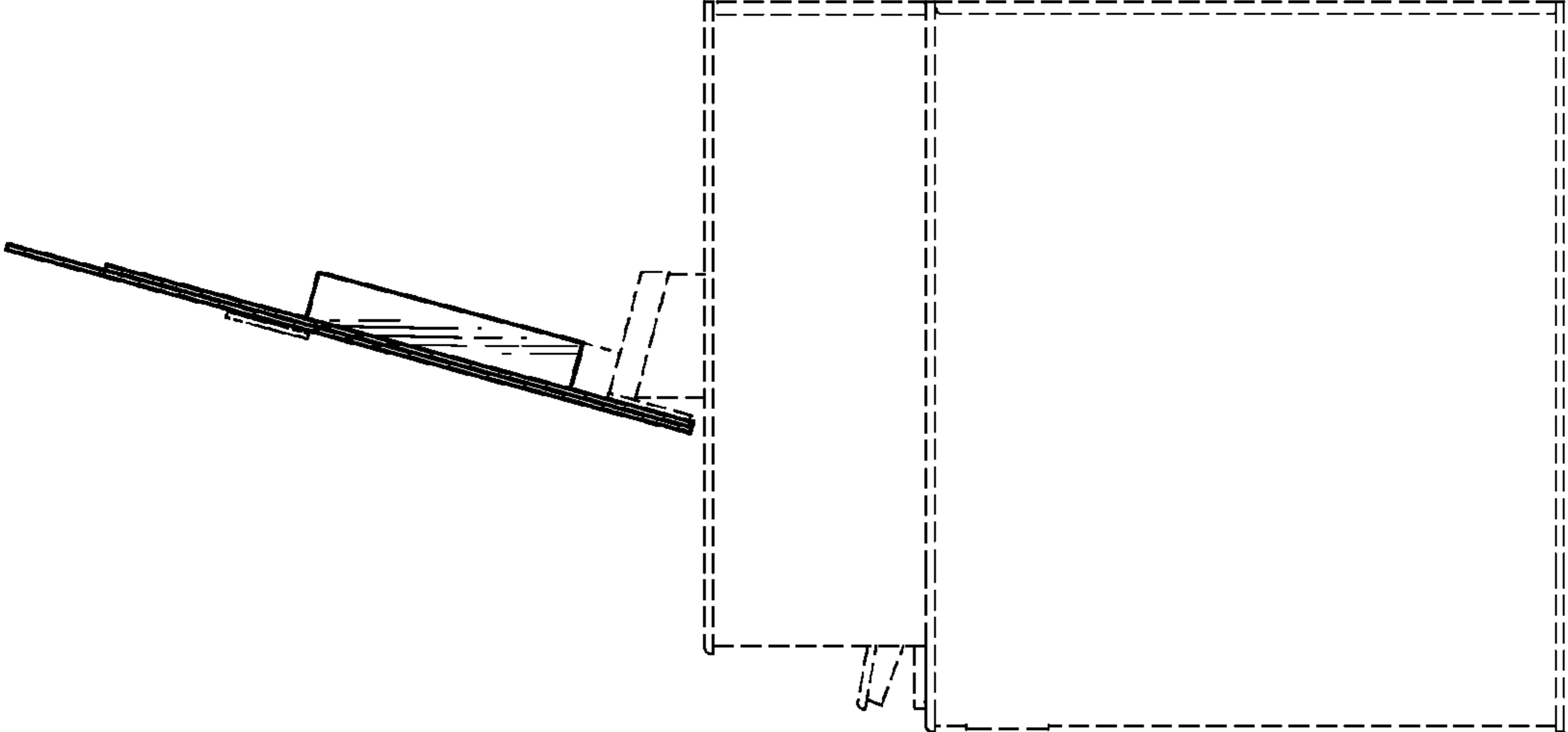
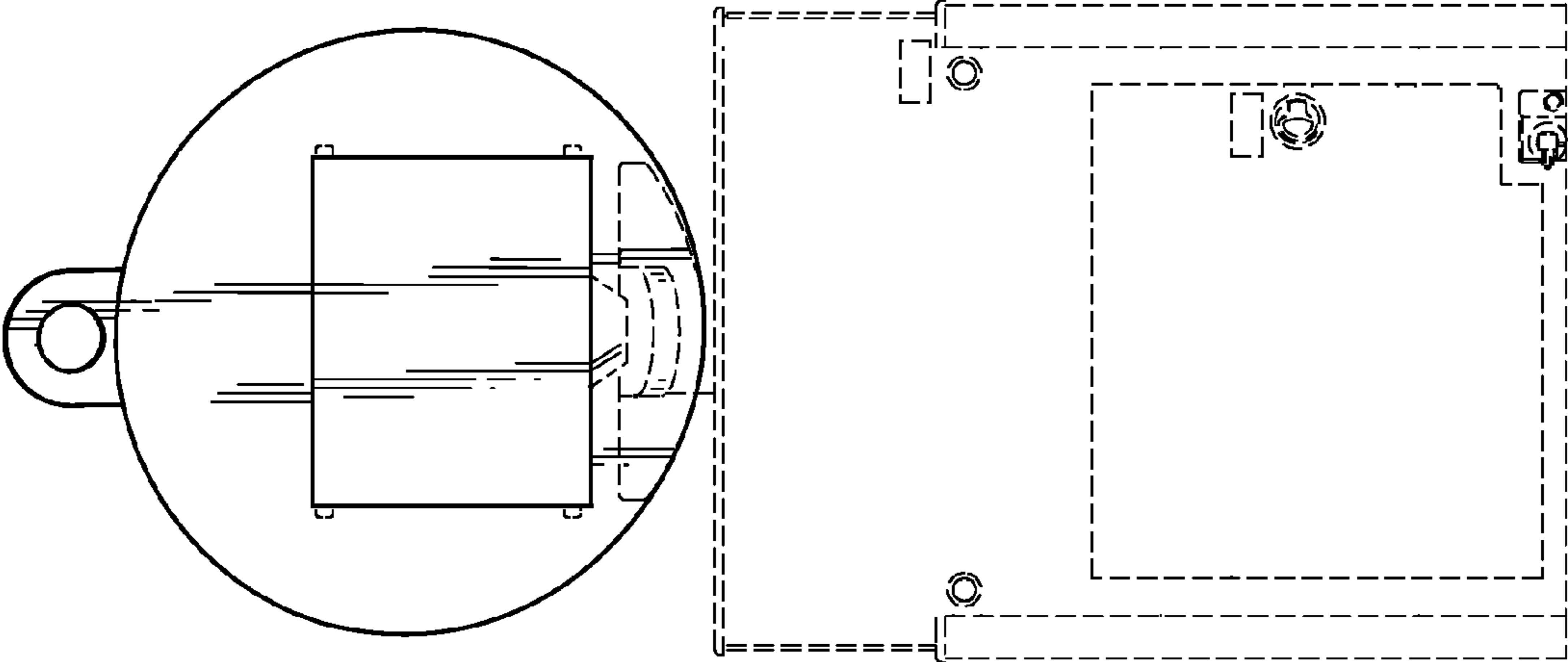


FIG. 8



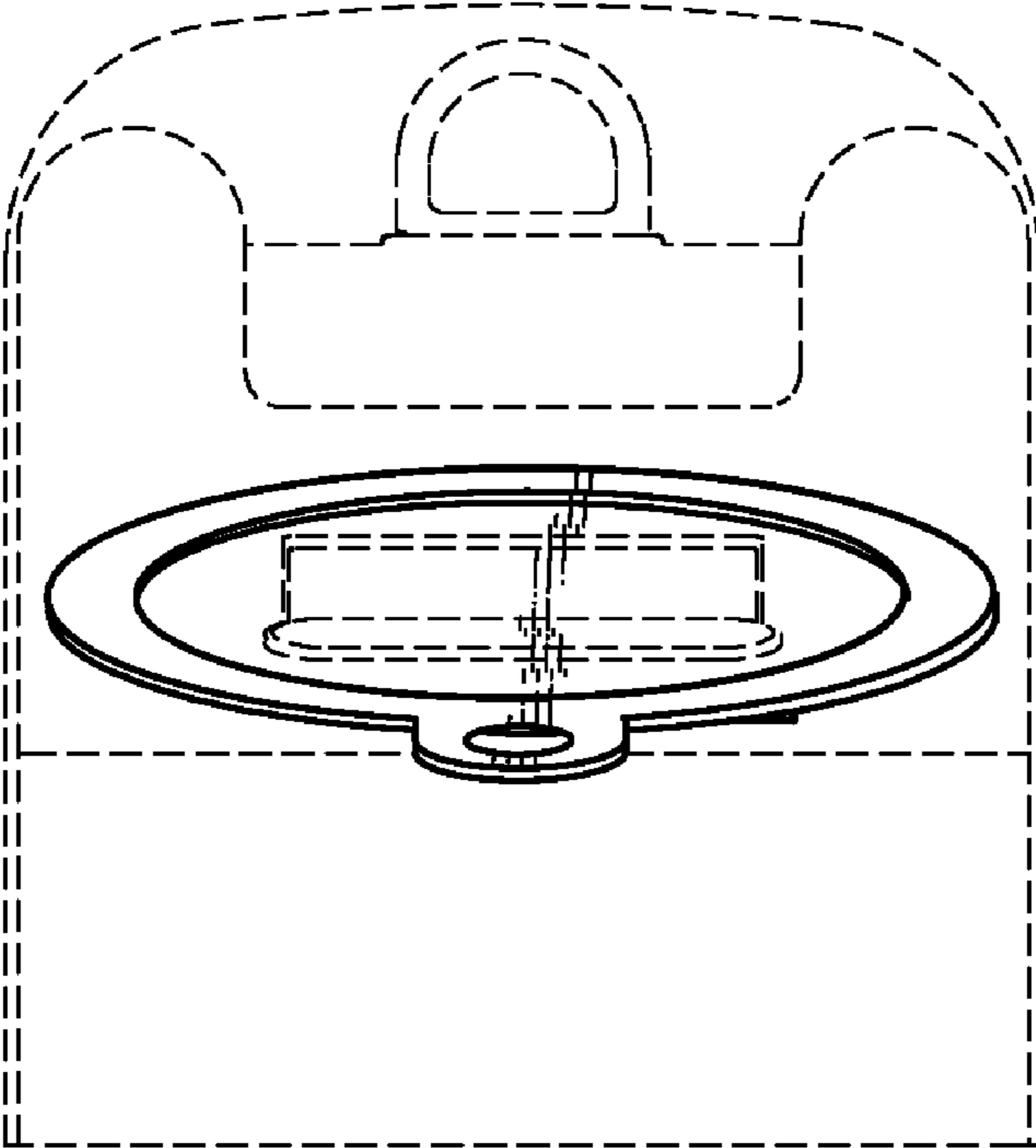


Fig. 11

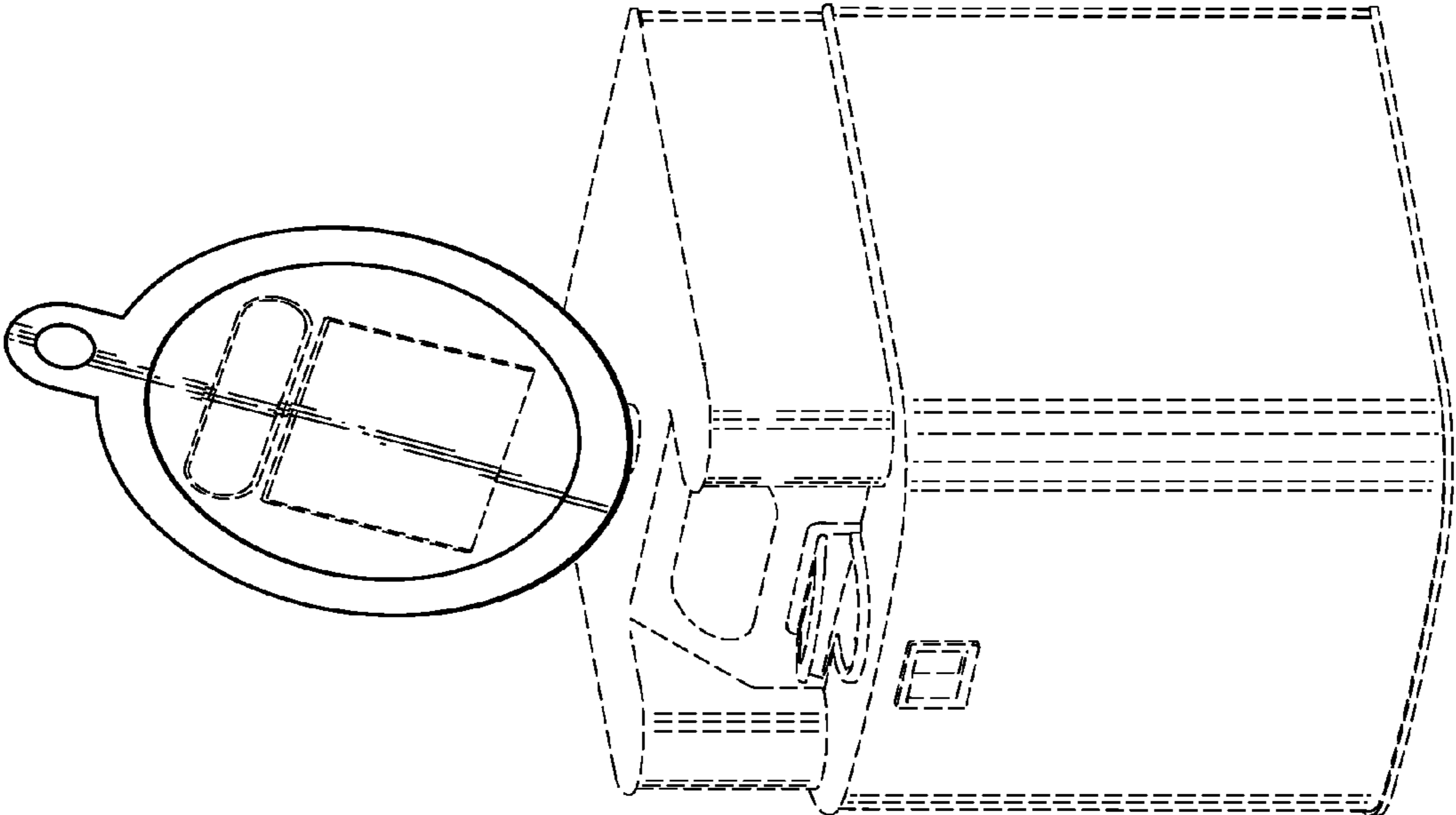


FIG. 12

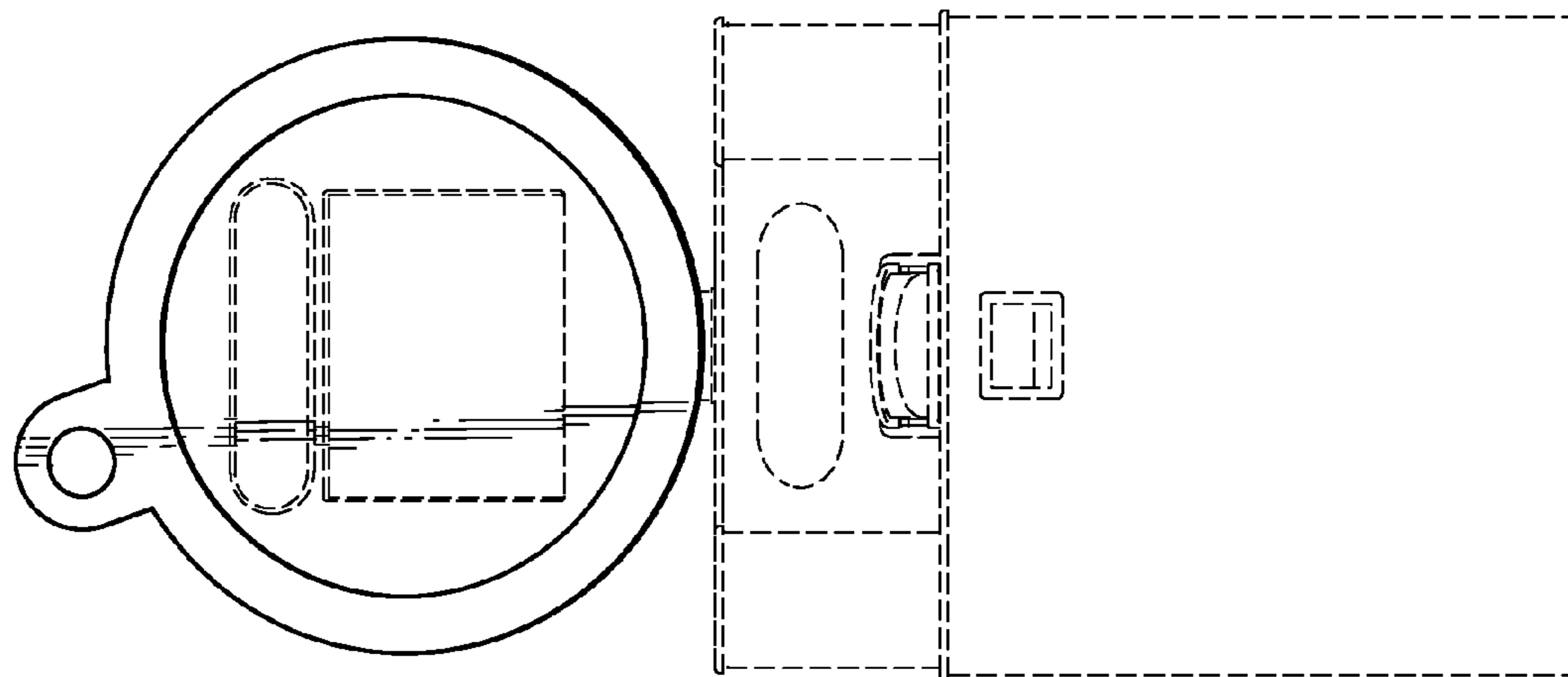


FIG. 14

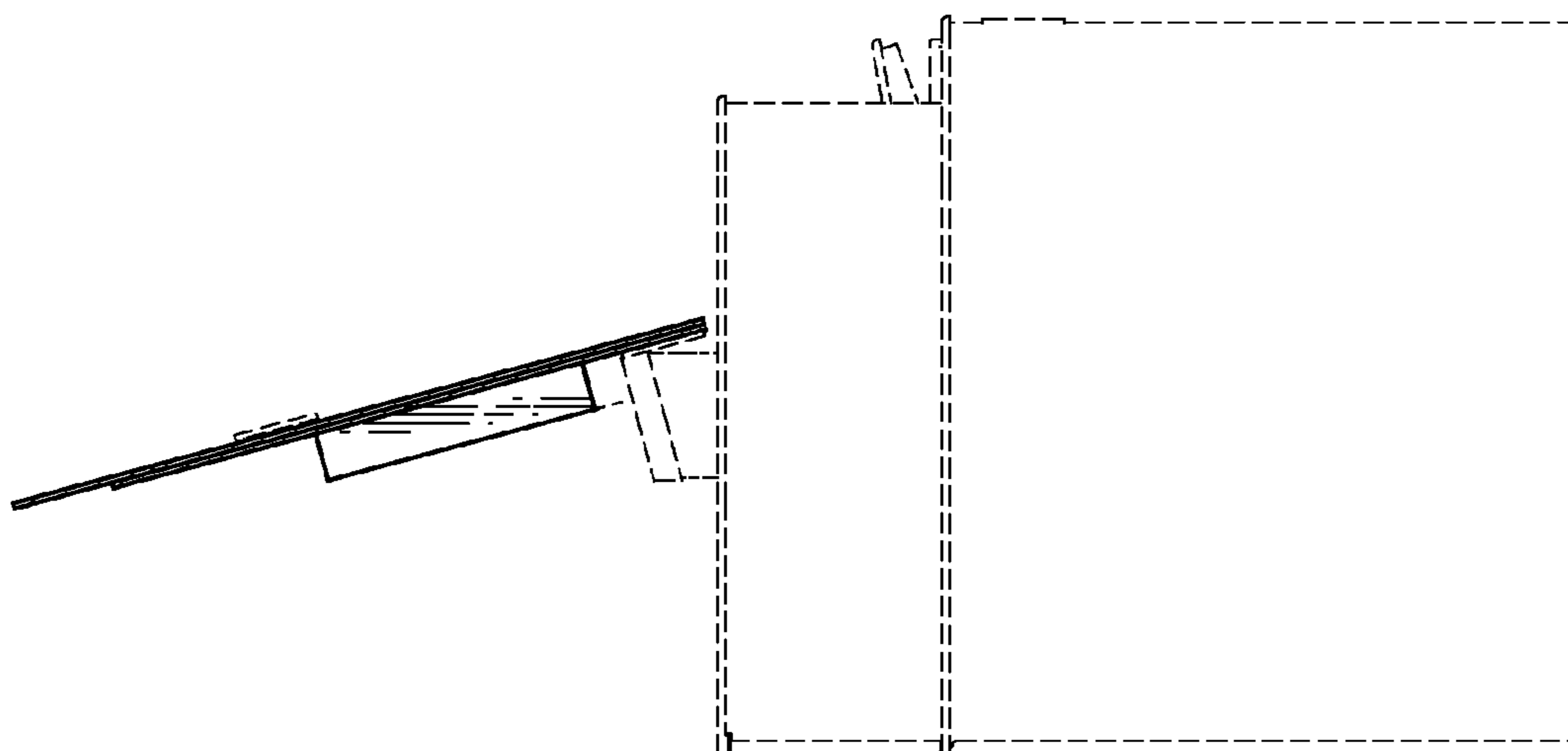


Fig. 13

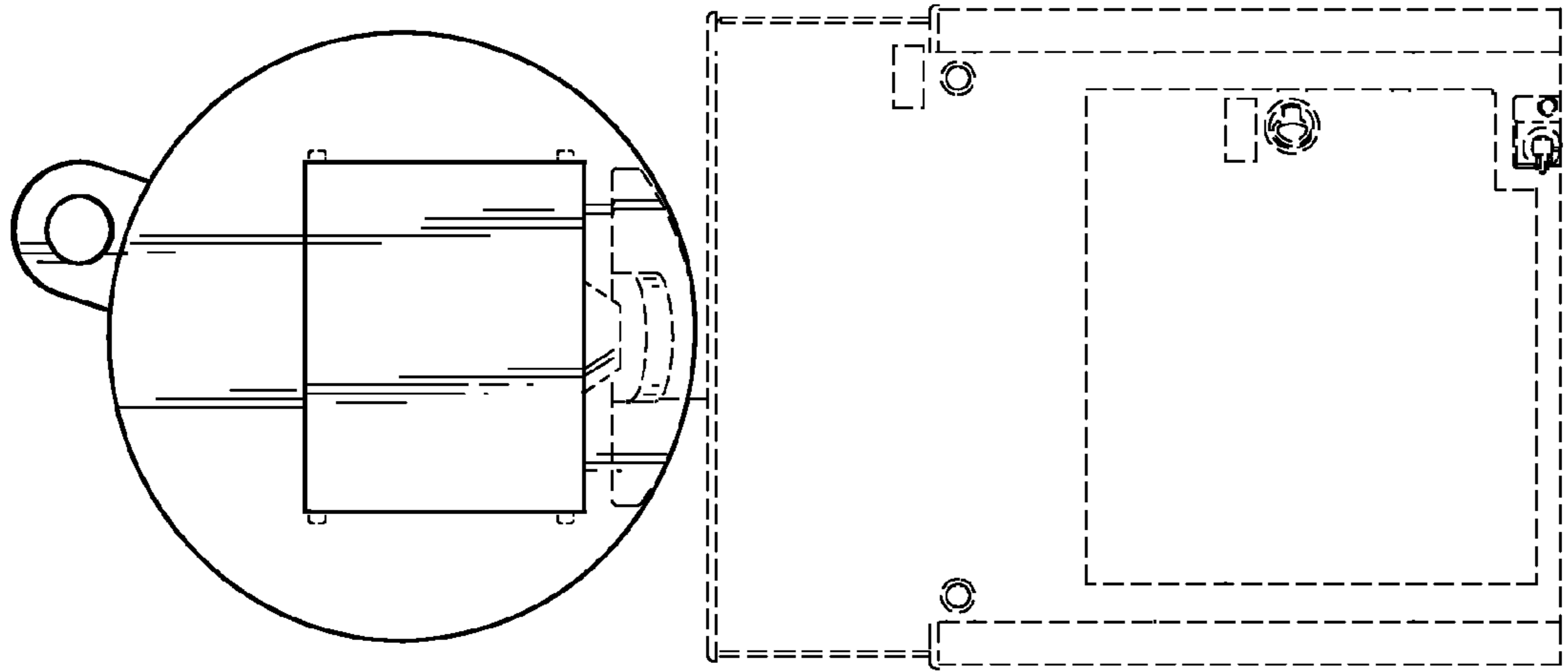


FIG. 15

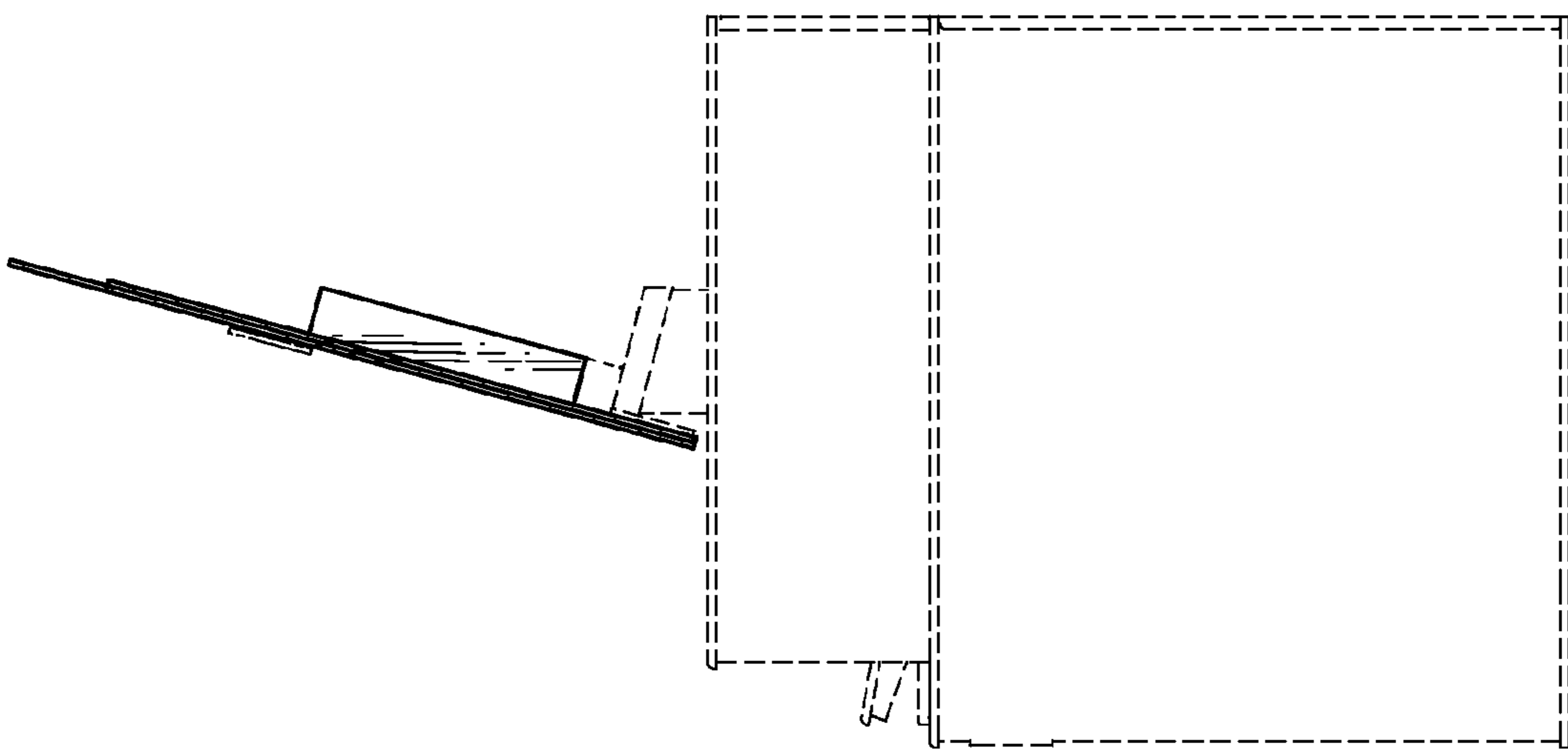


FIG. 16

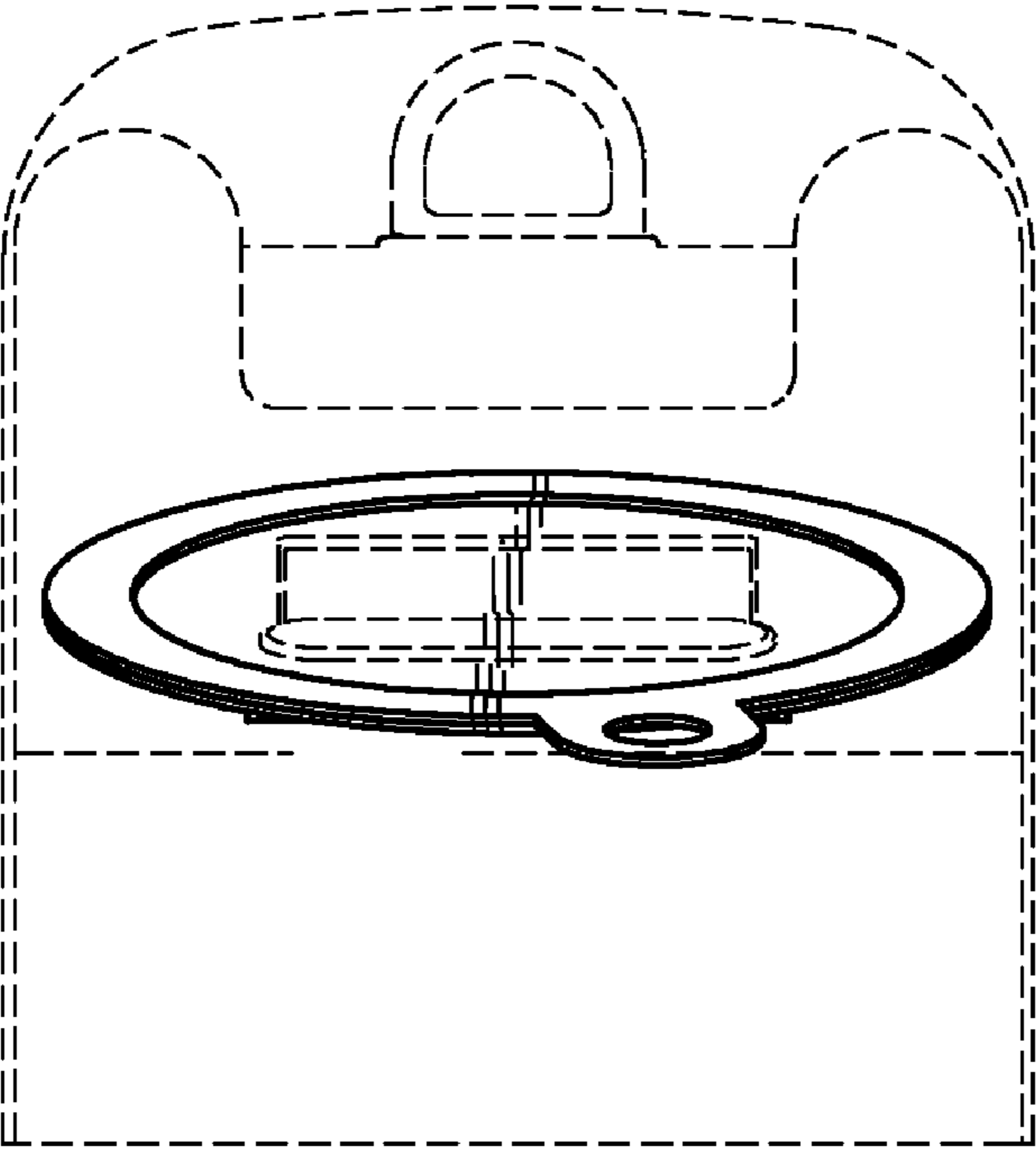


FIG. 17

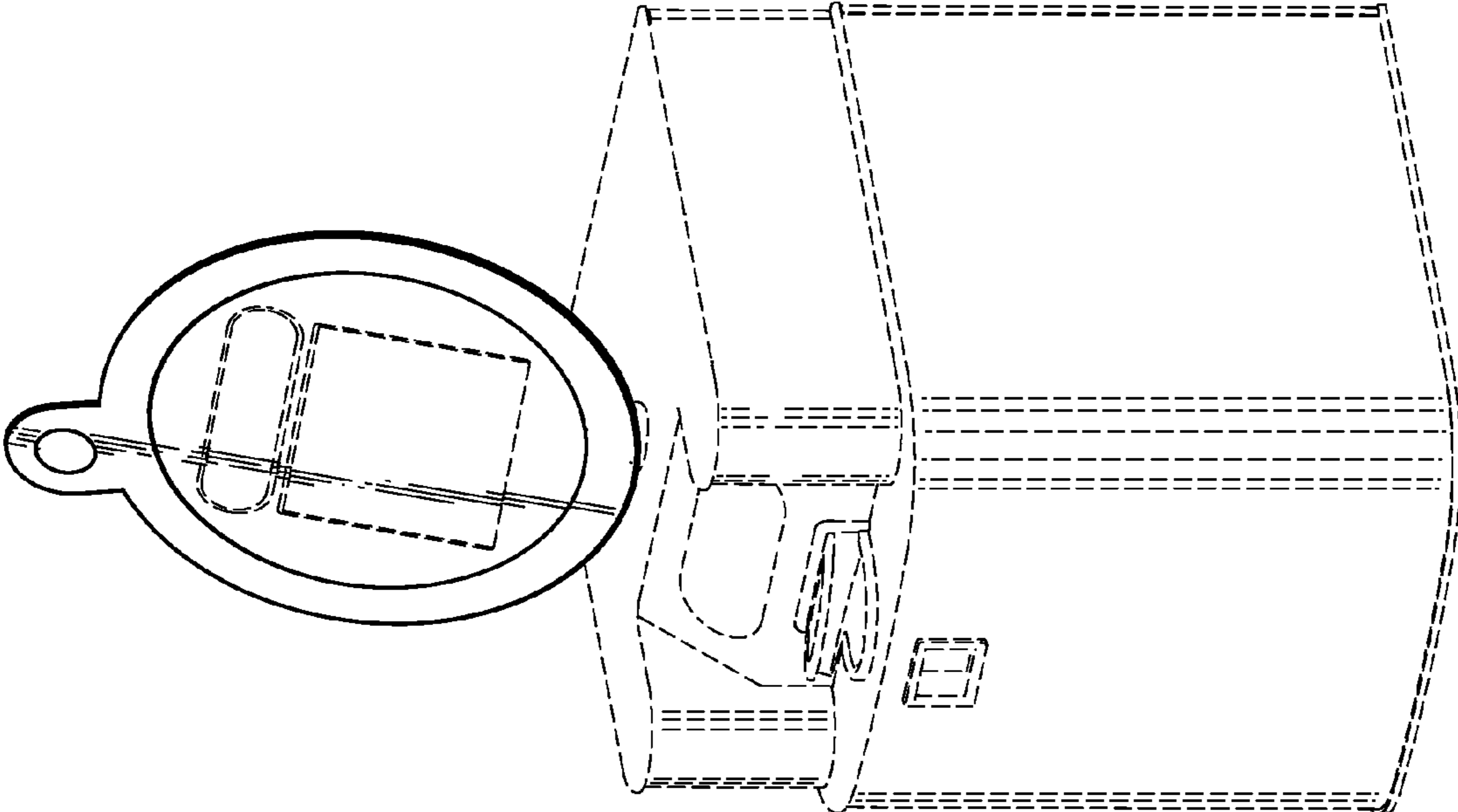


FIG. 18