



US00D626542S

(12) **United States Design Patent**
Libman et al.

(10) **Patent No.:** **US D626,542 S**

(45) **Date of Patent:** **** Nov. 2, 2010**

(54) **IN-DESK MOUNTED CABLE BOX WITH INTEGRATED TOUCH PANEL**

D569,863 S * 5/2008 Feldstein et al. D14/305
2005/0200249 A1 * 9/2005 Voon et al. 312/223.3

(75) Inventors: **David Libman**, Dove Canyon, CA (US);
Tuan Tran, Irvine, CA (US); **Robert Chaloupecky**, Apex, NC (US)

* cited by examiner

Primary Examiner—Rosemary K Tarcza

(74) *Attorney, Agent, or Firm*—The Hecker Law Group, PLC

(73) Assignee: **RGB Systems, Inc.**, Anaheim, CA (US)

(57) **CLAIM**

(**) Term: **14 Years**

The ornamental design for the in-desk mounted cable box with integrated touch panel, as shown and described.

(21) Appl. No.: **29/315,600**

(22) Filed: **Jul. 7, 2009**

DESCRIPTION

(51) **LOC (9) Cl.** **14-02**

FIG. 1 is a perspective front left view of the in-desk mounted cable box with integrated touch panel of the present invention.

(52) **U.S. Cl.** **D14/305; D13/139.4**

FIG. 2 is a top view of the in-desk mounted cable box with integrated touch panel of FIG. 1;

(58) **Field of Classification Search** D13/139.4,
D13/139.6, 162, 164, 184, 199; D14/304,
D14/305, 308, 218; D10/48, 49, 99–103;
361/627, 628, 631, 643, 644, 673; 439/131,
439/135, 142; 49/345; 312/223.1–223.3

See application file for complete search history.

FIG. 3 is a perspective front right view of the in-desk mounted cable box with integrated touch panel of FIG. 1;

FIG. 4 is a left side view of the in-desk mounted cable box with integrated touch panel of FIG. 1;

(56) **References Cited**

U.S. PATENT DOCUMENTS

- 3,992,070 A * 11/1976 Dunn et al. 49/345
- 4,864,078 A * 9/1989 Bowman 174/486
- 5,122,069 A * 6/1992 Brownlie et al. 439/131
- D353,363 S * 12/1994 Toby D13/139.4
- 5,980,279 A * 11/1999 Muller 439/142
- D421,961 S * 3/2000 Muller D13/139.4
- D437,827 S * 2/2001 Gershfeld D13/139.4
- D460,736 S * 7/2002 Pincek et al. D13/139.4
- D465,201 S * 11/2002 Gershfeld D13/139.4
- D473,525 S * 4/2003 Pincek et al. D13/162
- D513,493 S * 1/2006 Feldstein et al. D13/139.4
- D520,504 S * 5/2006 Martin D14/371

FIG. 5 is a front view of the in-desk mounted cable box with integrated touch panel of FIG. 1;

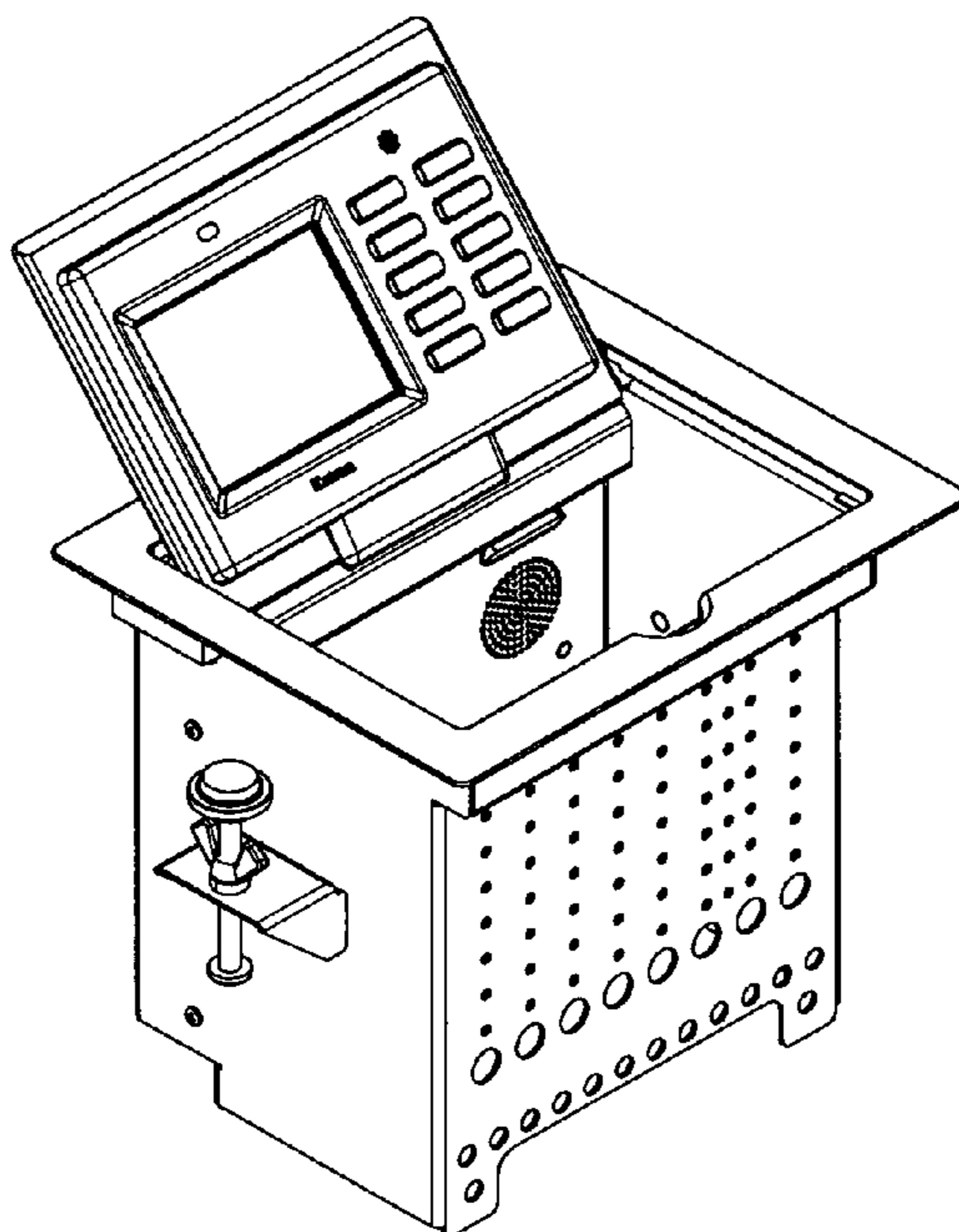
FIG. 6 is a right side view of the in-desk mounted cable box with integrated touch panel of FIG. 1;

FIG. 7 is a perspective rear left view of the in-desk mounted cable box with integrated touch panel of FIG. 1;

FIG. 8 is a bottom view of the in-desk mounted cable box with integrated touch panel of FIG. 1; and,

FIG. 9 is a perspective rear right view of the in-desk mounted cable box with integrated touch panel of FIG. 1.

1 Claim, 9 Drawing Sheets



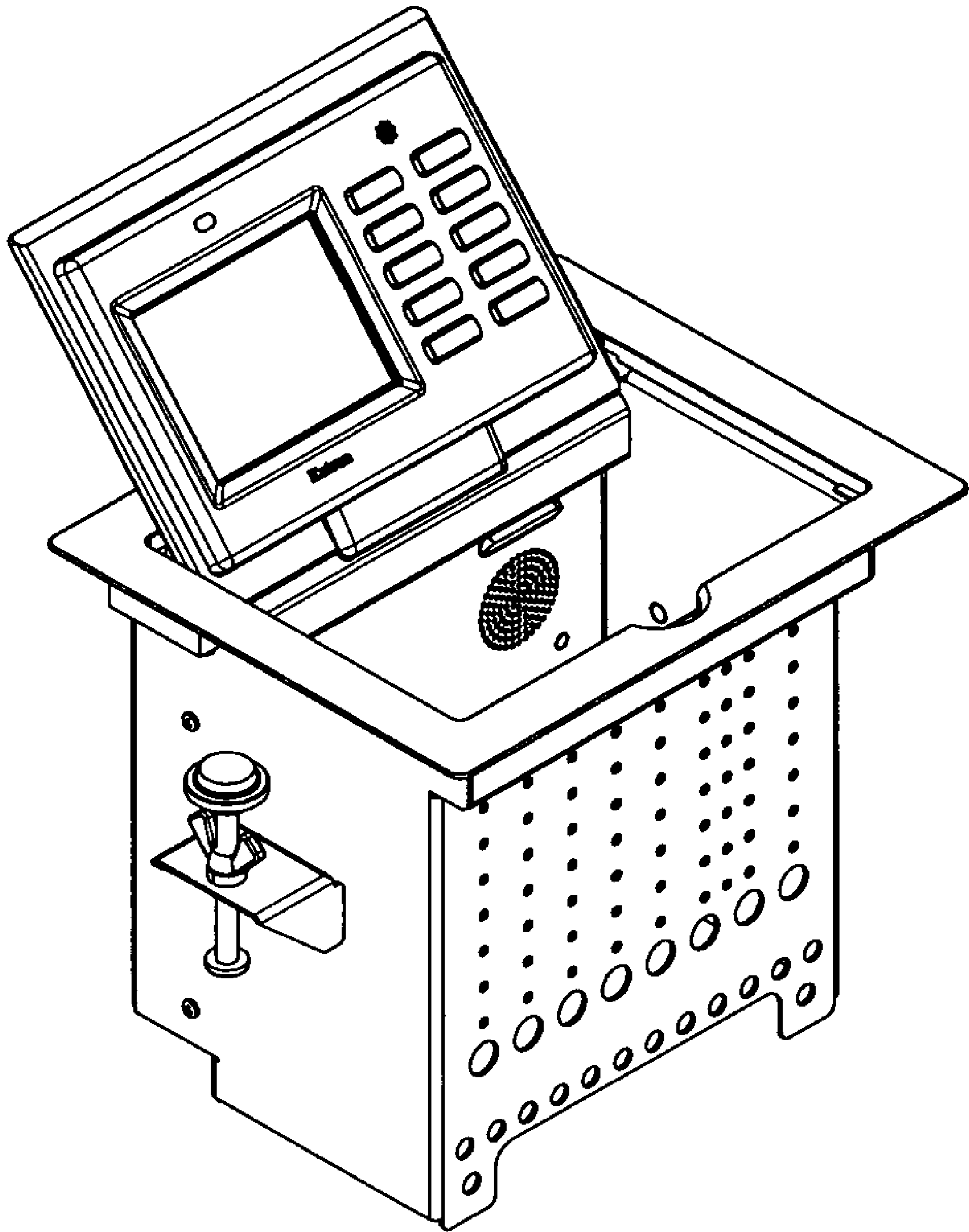


FIG. 1

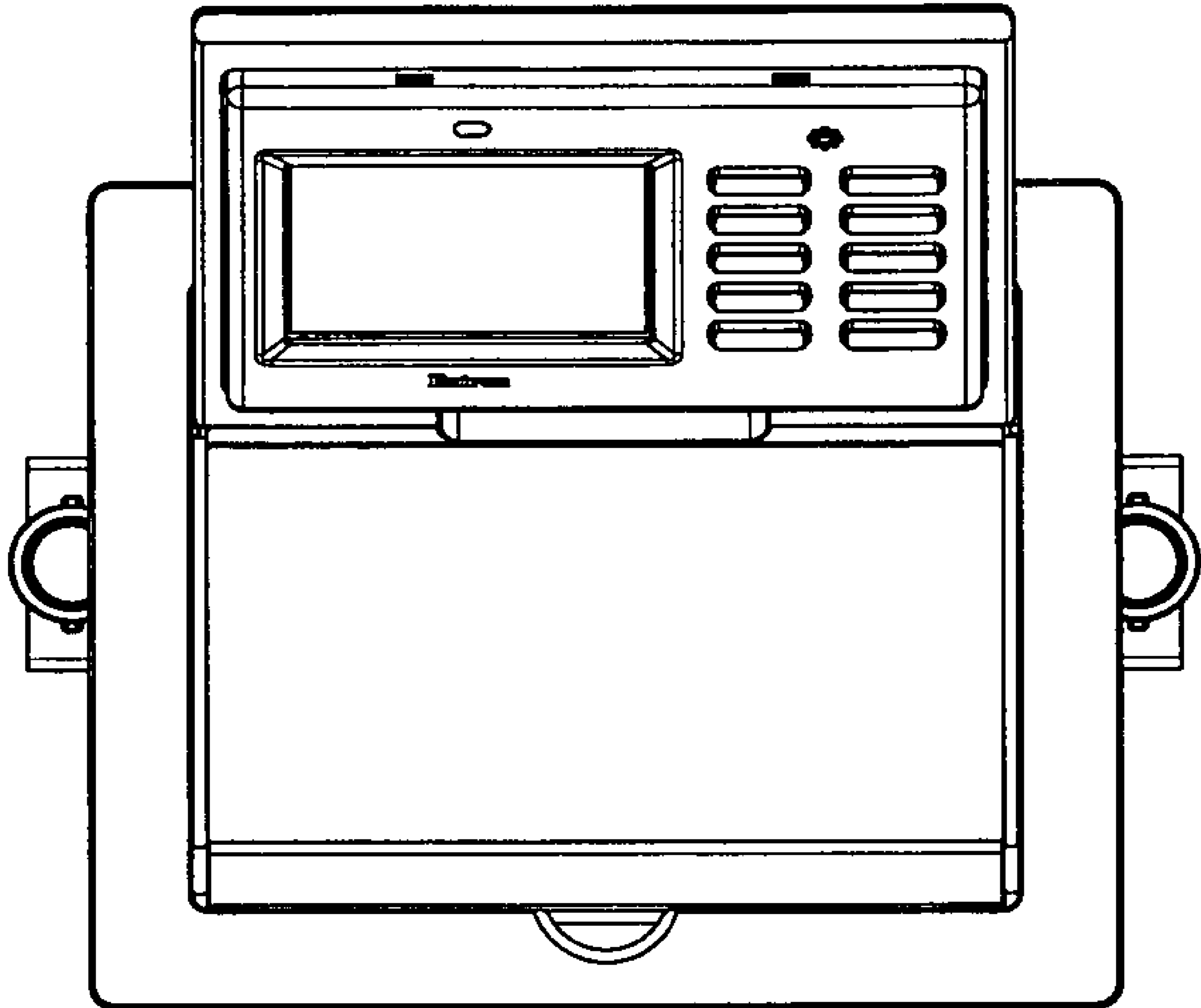


FIG. 2

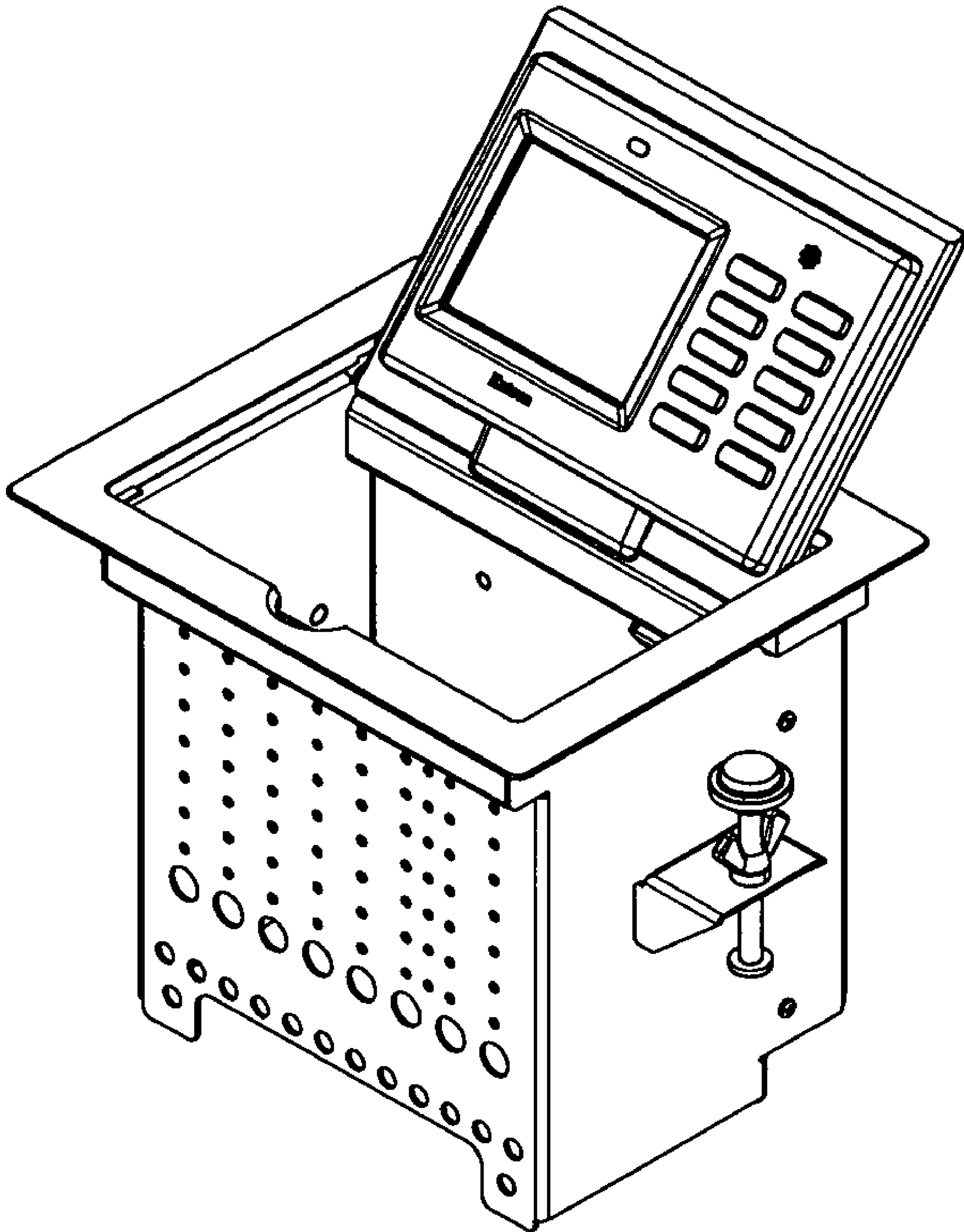


FIG. 3

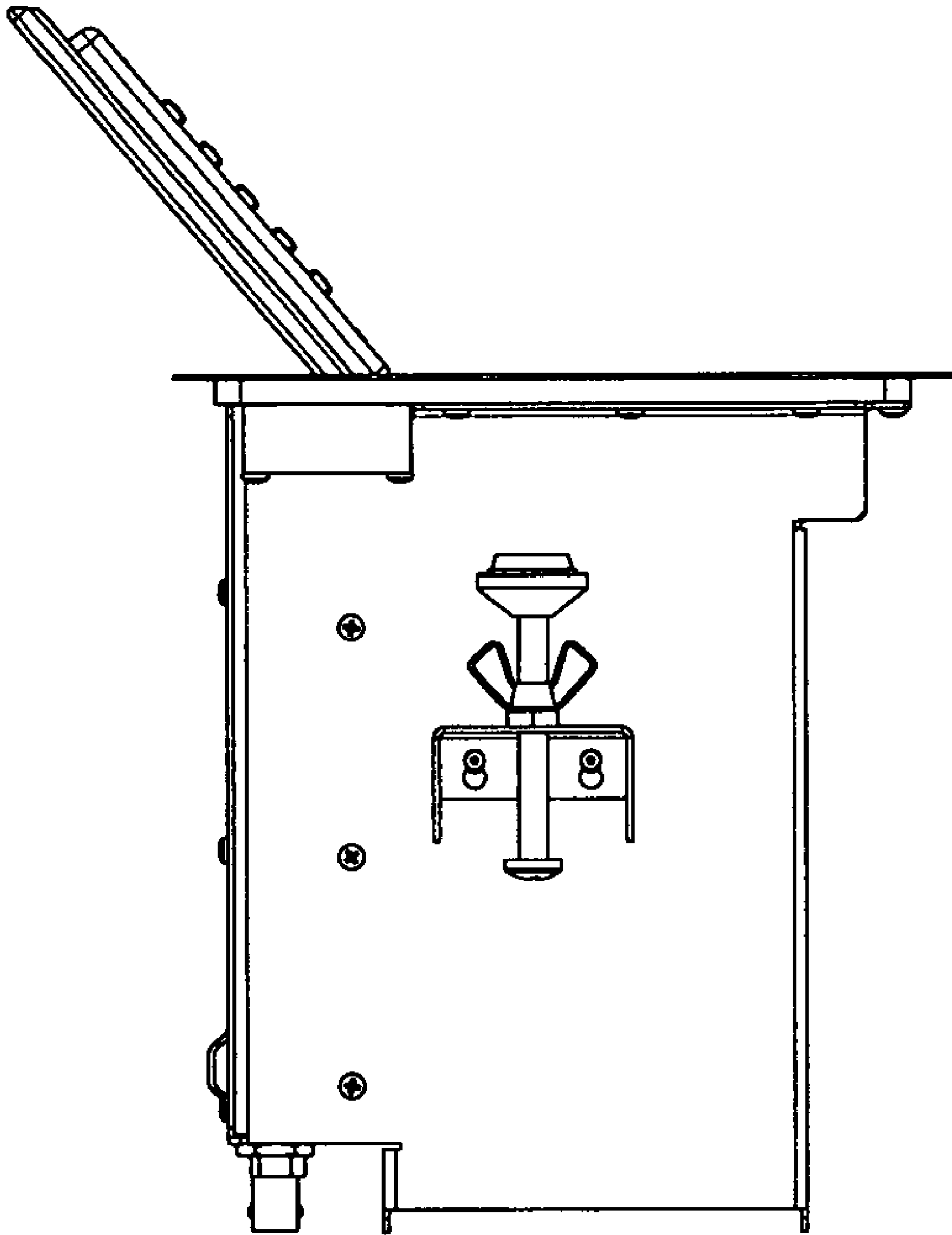


FIG. 4

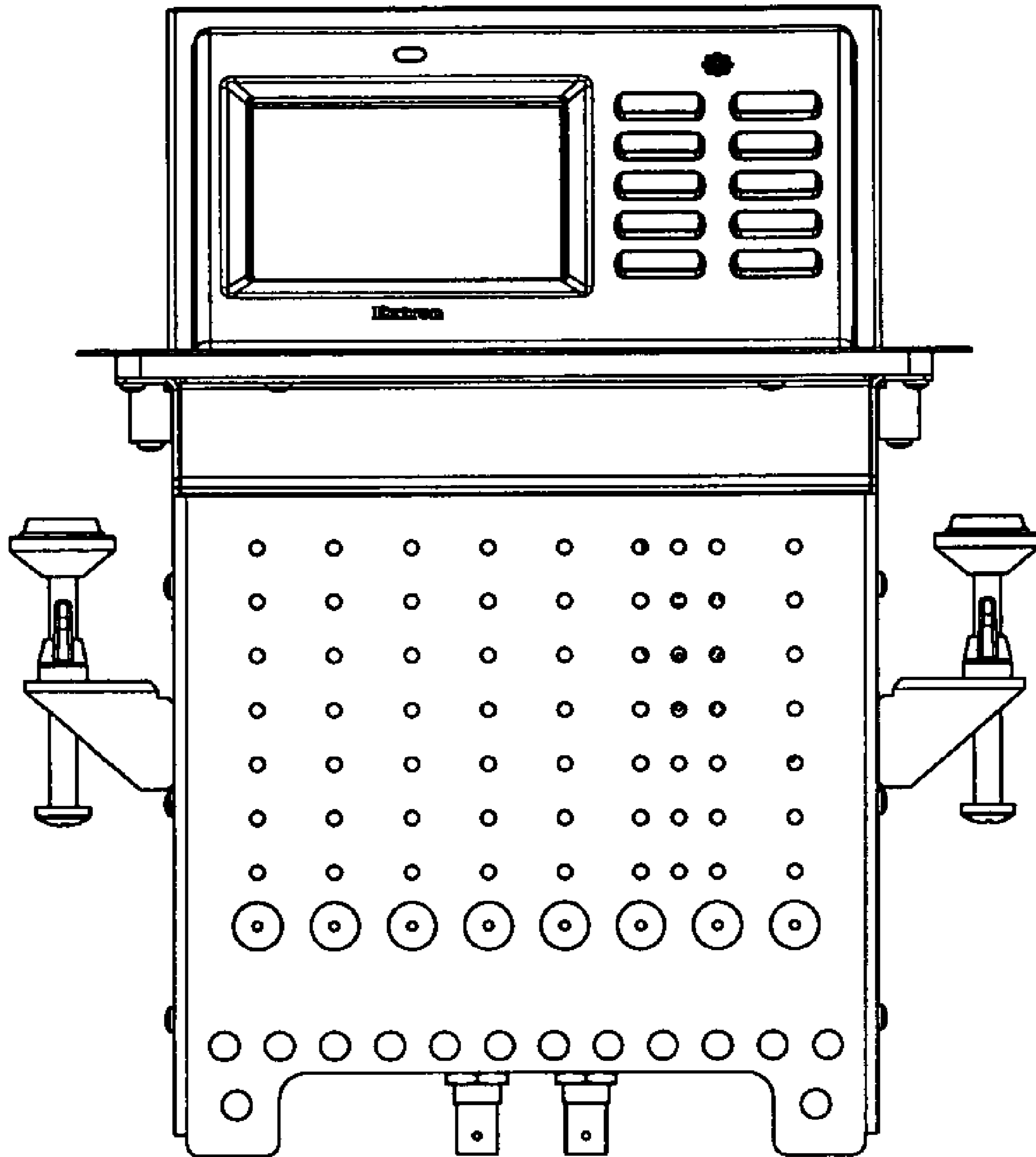


FIG. 5

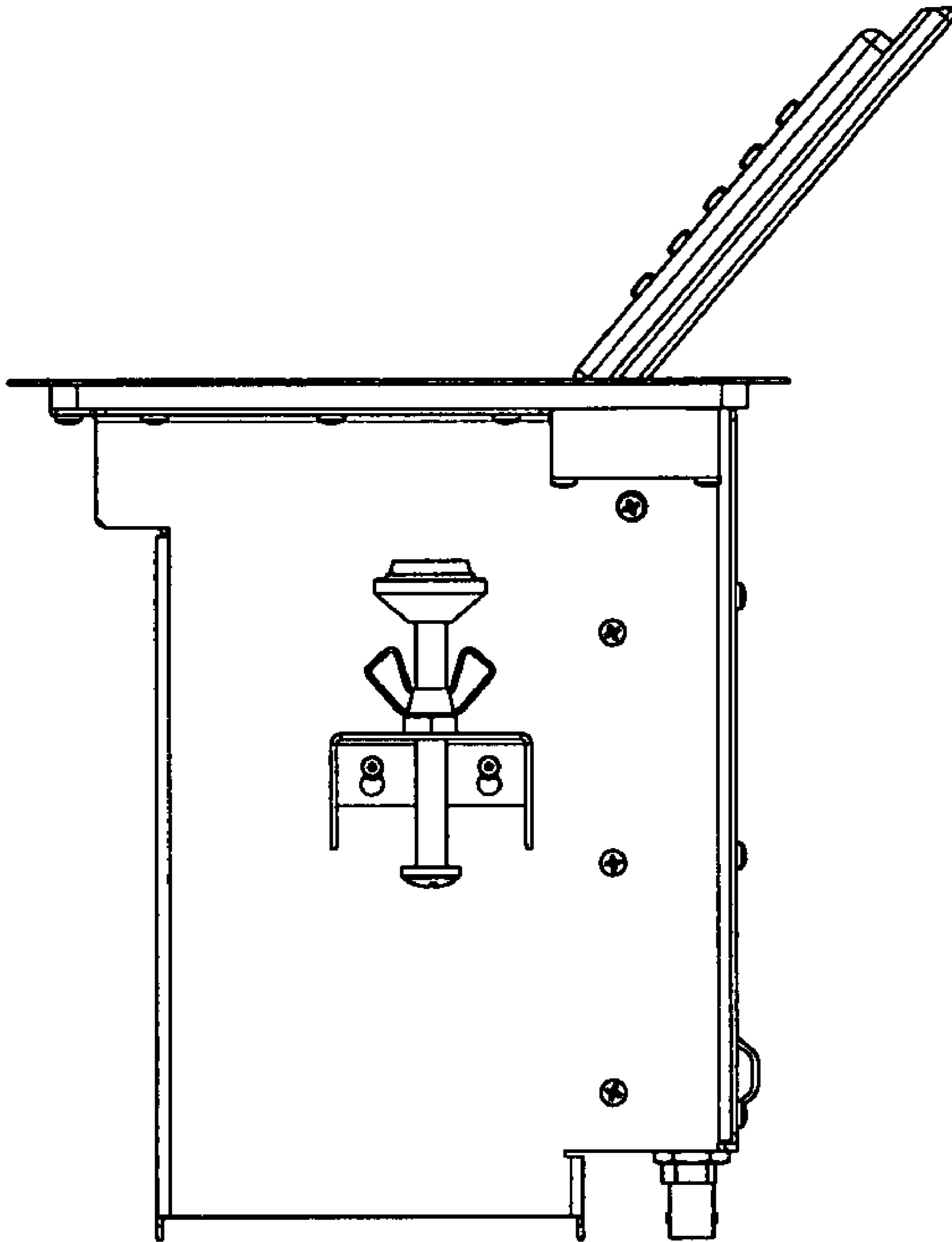


FIG. 6

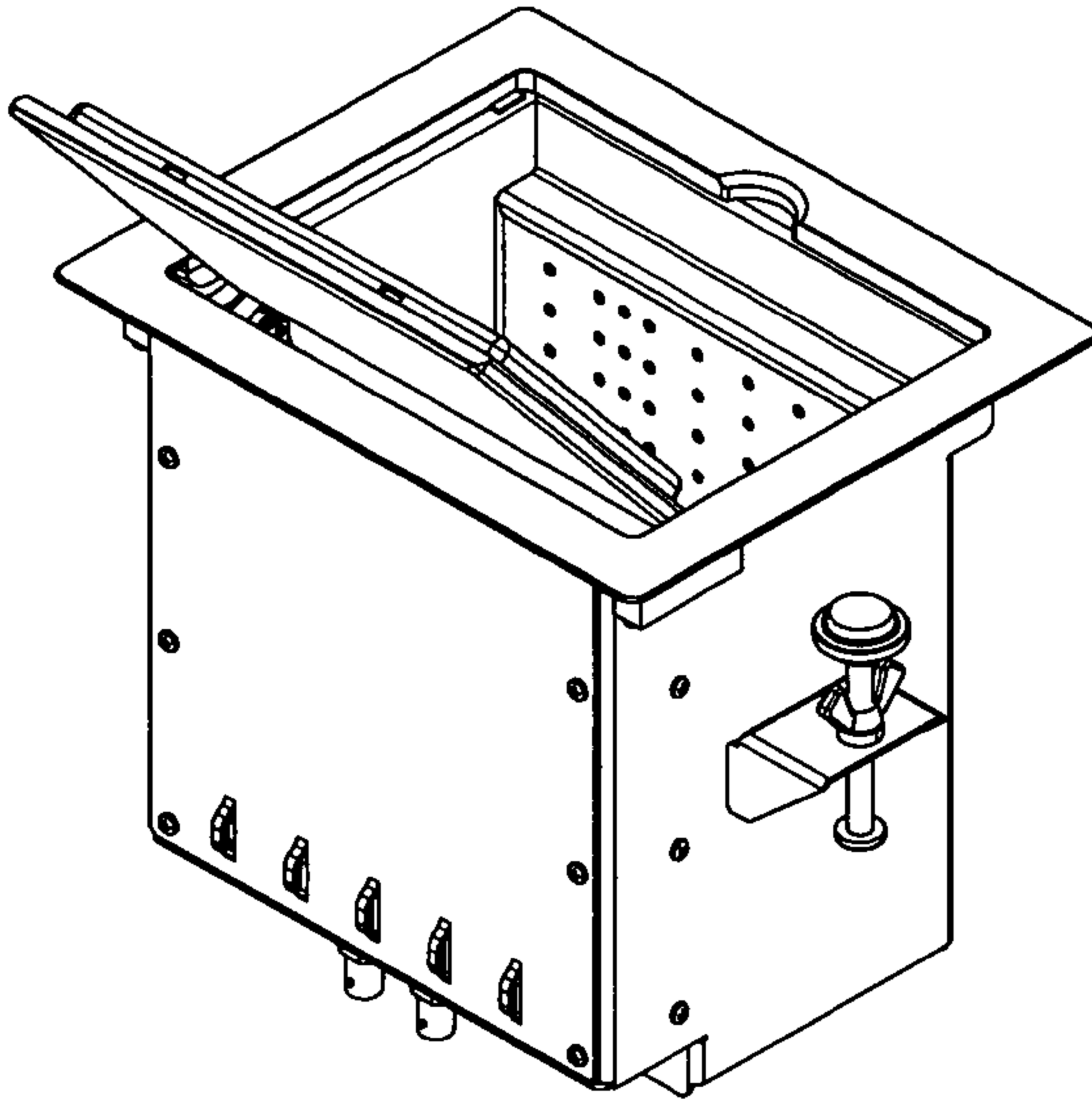


FIG. 7

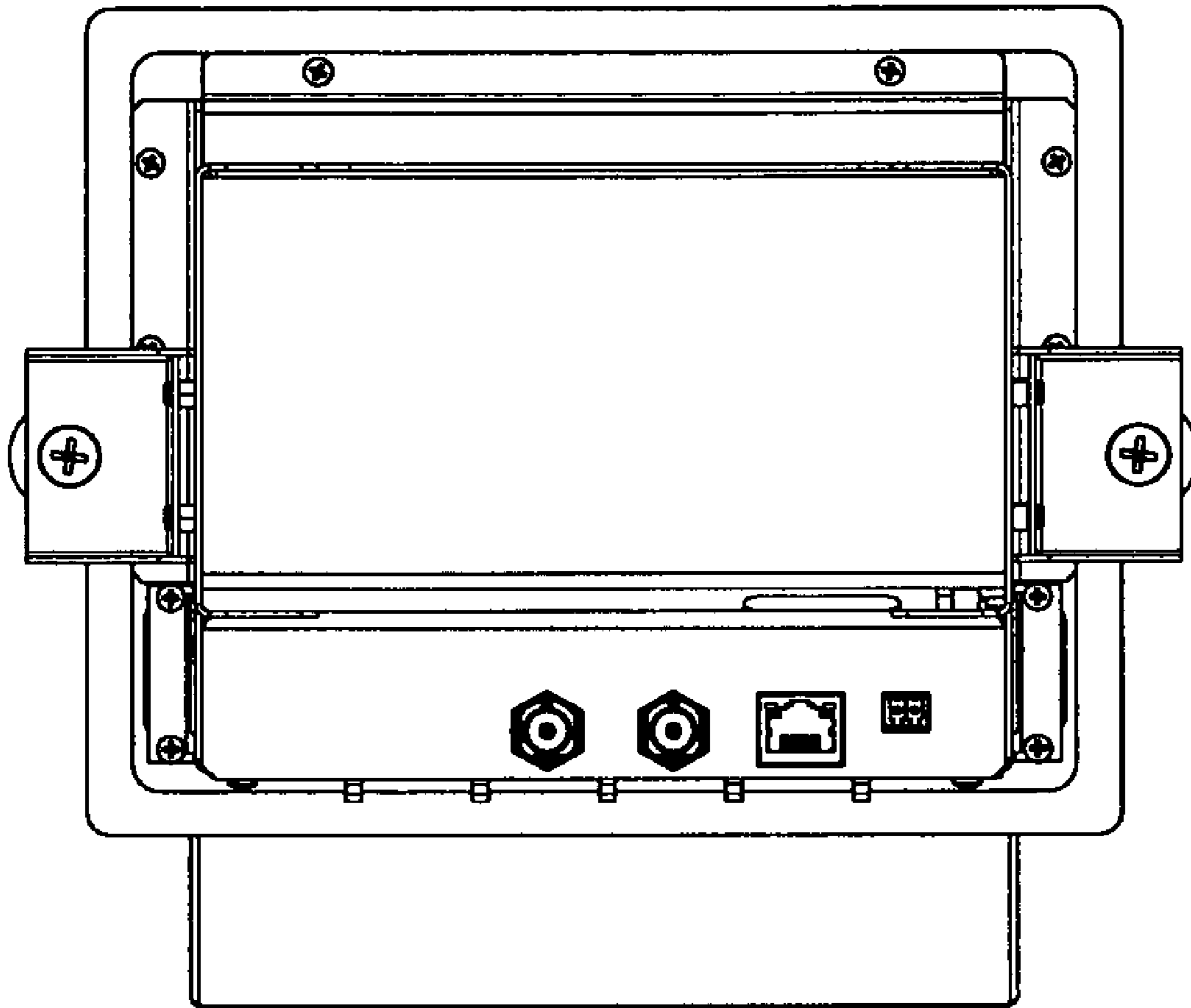


FIG. 8

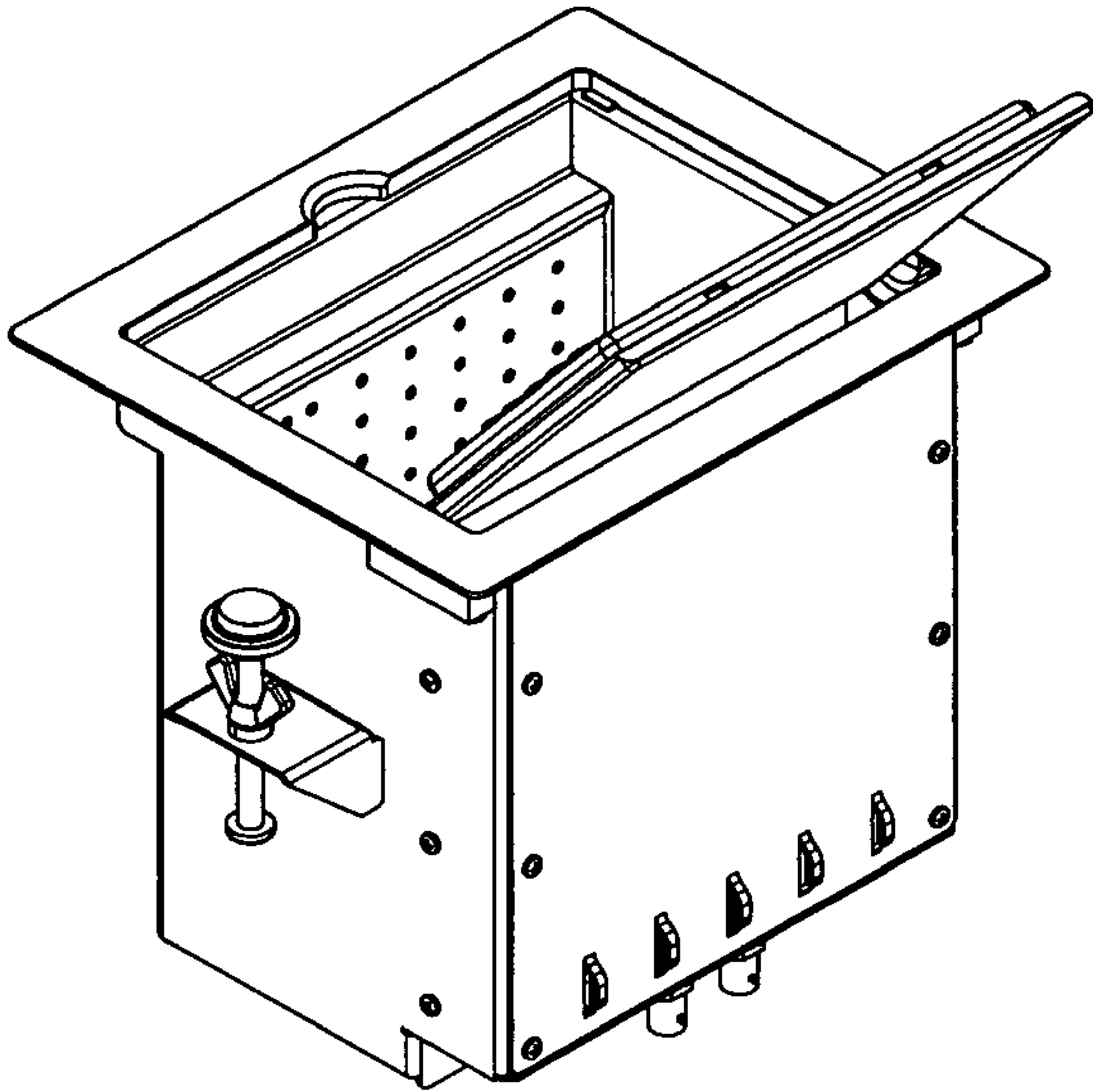


FIG. 9