

US00D626541S

(12) **United States Design Patent**  
**Kim et al.**

(10) **Patent No.:** **US D626,541 S**

(45) **Date of Patent:** **\*\* Nov. 2, 2010**

(54) **CRADLE FOR A CELLULAR PHONE**

(75) Inventors: **Jin-Nam Kim**, Seoul (KR); **Chol-Ho Hwang**, Suwon-si (KR)

(73) Assignee: **Samsung Electronics Co., Ltd.**, Suwon-Si (KR)

(\*\*) Term: **14 Years**

(21) Appl. No.: **29/321,984**

(22) Filed: **Jul. 28, 2008**

(51) **LOC (9) Cl.** ..... **14-03**

(52) **U.S. Cl.** ..... **D14/253**

(58) **Field of Classification Search** ..... D14/149,  
D14/250-253, 299, 452, 454, 447; D8/355,  
D8/363, 373, 380; D12/415, 425; 248/206.2-206.4,  
248/220.21, 279.1, 121, 131, 157, 309.3,  
248/122.1; 379/426, 446, 454, 455, 449;  
224/571; D6/466, 467

See application file for complete search history.

(56) **References Cited**

**U.S. PATENT DOCUMENTS**

- 2,481,271 A \* 9/1949 Willey ..... 379/455
- D269,945 S \* 8/1983 Carney ..... D8/355
- D309,307 S \* 7/1990 Sigurdson ..... D14/251
- D324,865 S \* 3/1992 Cooper ..... D14/253
- D332,789 S \* 1/1993 Rak ..... D14/251
- D337,333 S \* 7/1993 Turk ..... D14/251
- 6,749,160 B1 \* 6/2004 Richter ..... 248/206.2
- 7,007,908 B2 \* 3/2006 Tsay ..... 248/309.3
- D533,174 S \* 12/2006 Richter ..... D14/251
- D553,958 S \* 10/2007 Brassard ..... D8/363
- D553,959 S \* 10/2007 Brassard ..... D8/363
- D563,309 S \* 3/2008 Richter ..... D12/415
- D566,530 S \* 4/2008 Brassard ..... D8/363
- D567,810 S \* 4/2008 Yeh ..... D14/253
- D576,615 S \* 9/2008 Richter ..... D14/253
- D579,854 S \* 11/2008 Mo ..... D12/415
- D580,847 S \* 11/2008 Mo ..... D12/415
- D581,344 S \* 11/2008 Richter ..... D12/415

- D588,903 S \* 3/2009 Carnevali ..... D8/355
- D593,103 S \* 5/2009 Richter ..... D14/447
- D599,355 S \* 9/2009 Richter ..... D14/447
- D602,024 S \* 10/2009 Richter ..... D14/447
- D602,025 S \* 10/2009 Richter ..... D14/447
- D613,731 S \* 4/2010 Yeo ..... D14/253
- 2004/0011932 A1 \* 1/2004 Duff ..... 248/157
- 2007/0012825 A1 \* 1/2007 Yeh ..... 248/122.1

**OTHER PUBLICATIONS**

Samsung Universal Windshield Mount ACTH100UBAGSTD with Cell Phone holder, <URL:http://www.cellularaccessory.com/acth100ubagstd.html>, retrieved from internet Apr. 21, 2010.\*  
RAM Mount Apple iPod Touch Grip-Lock Suction Cup Mount, <URL:http://www.gpscocity.com/ram-mount-apple-ipod-touch-grip-lock-suction-cup-mount.html>, retrieved from internet Apr. 21, 2010.\*

\* cited by examiner

*Primary Examiner*—Robert M Spear  
*Assistant Examiner*—Carla Jobe Wright  
(74) *Attorney, Agent, or Firm*—Staas & Halsey LLP

(57) **CLAIM**

The ornamental design for a cradle for a cellular phone, as shown and described.

**DESCRIPTION**

FIG. 1 is a perspective view of a cradle for a cellular phone according to our new design;  
FIG. 2 is a front elevational view thereof;  
FIG. 3 is a rear elevational view thereof;  
FIG. 4 is a left side elevational view thereof;  
FIG. 5 is a right side elevational view thereof;  
FIG. 6 is a top plan view thereof; and,  
FIG. 7 is a bottom plan view thereof.  
In the drawing, the broken lines depict unclaimed environment.

**1 Claim, 4 Drawing Sheets**

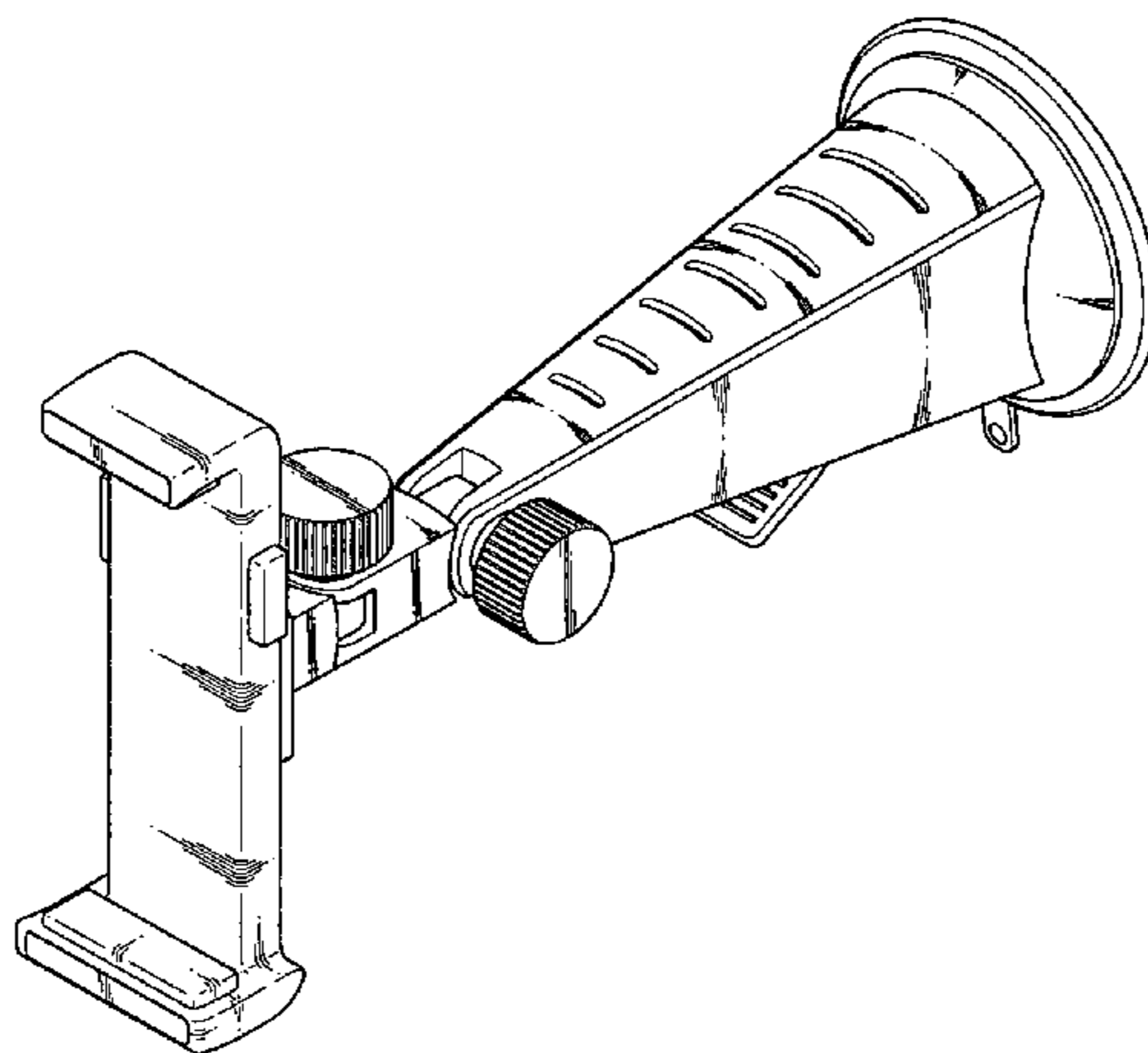


FIG. 1

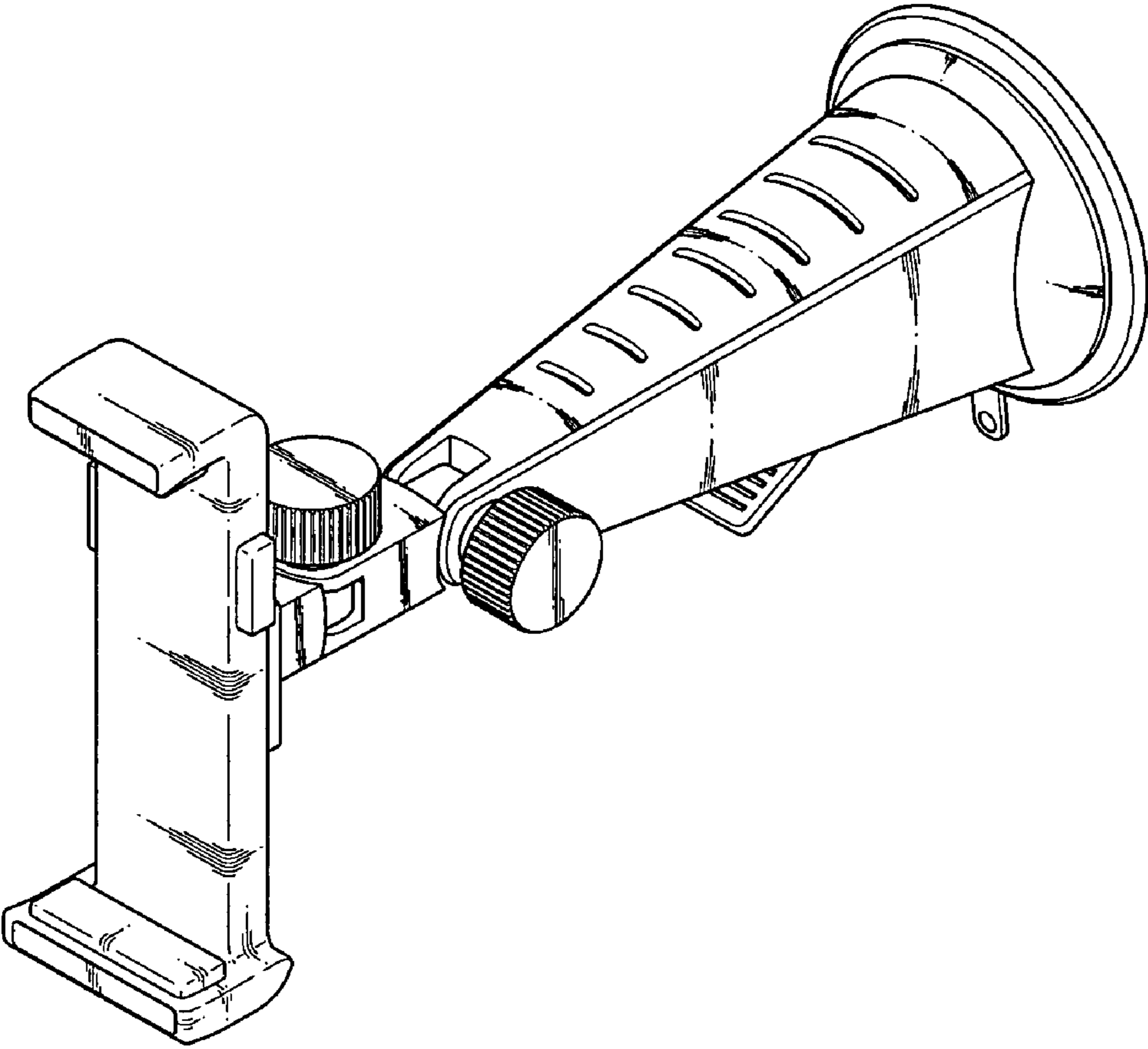


FIG. 2

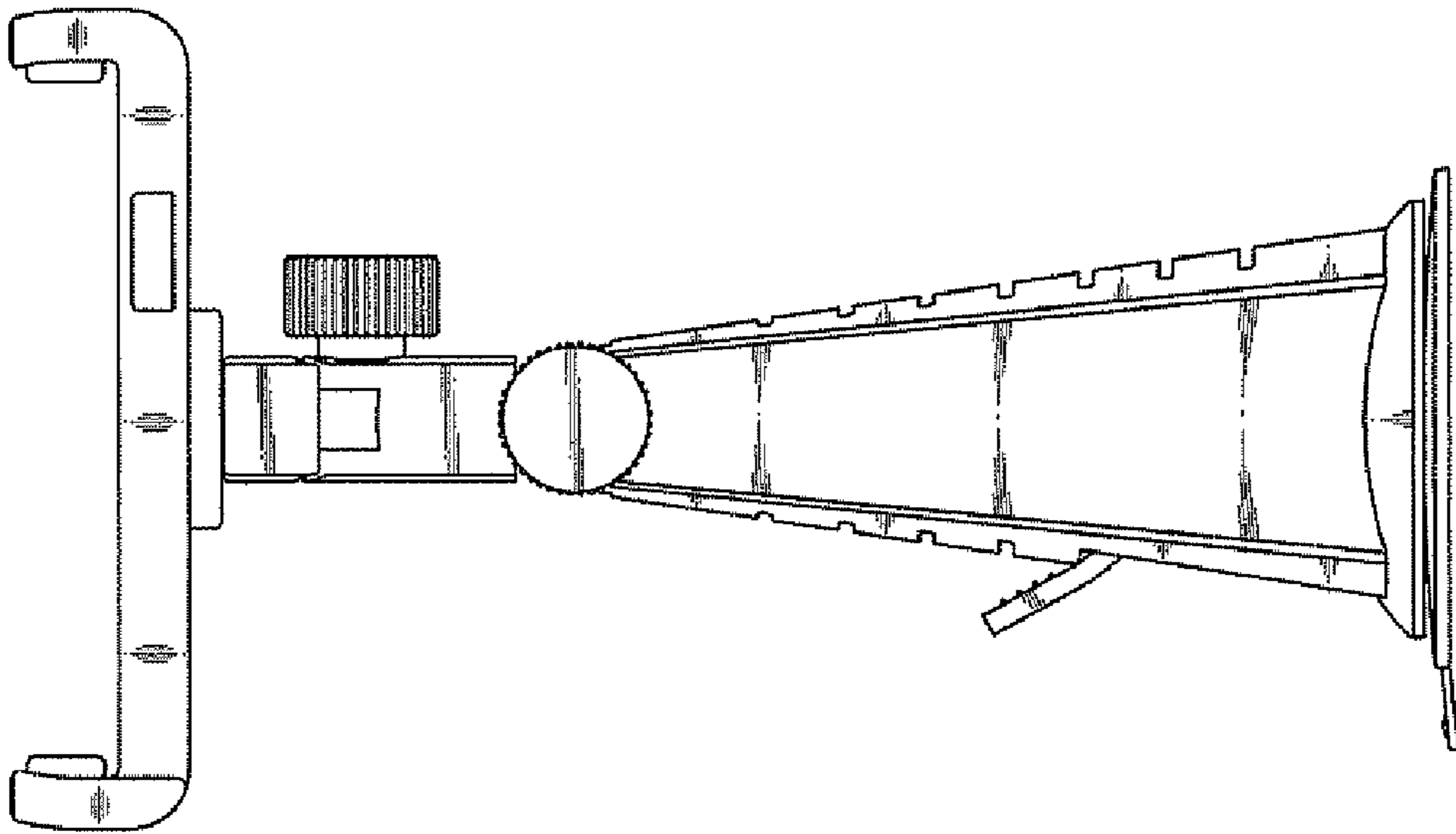


FIG. 3

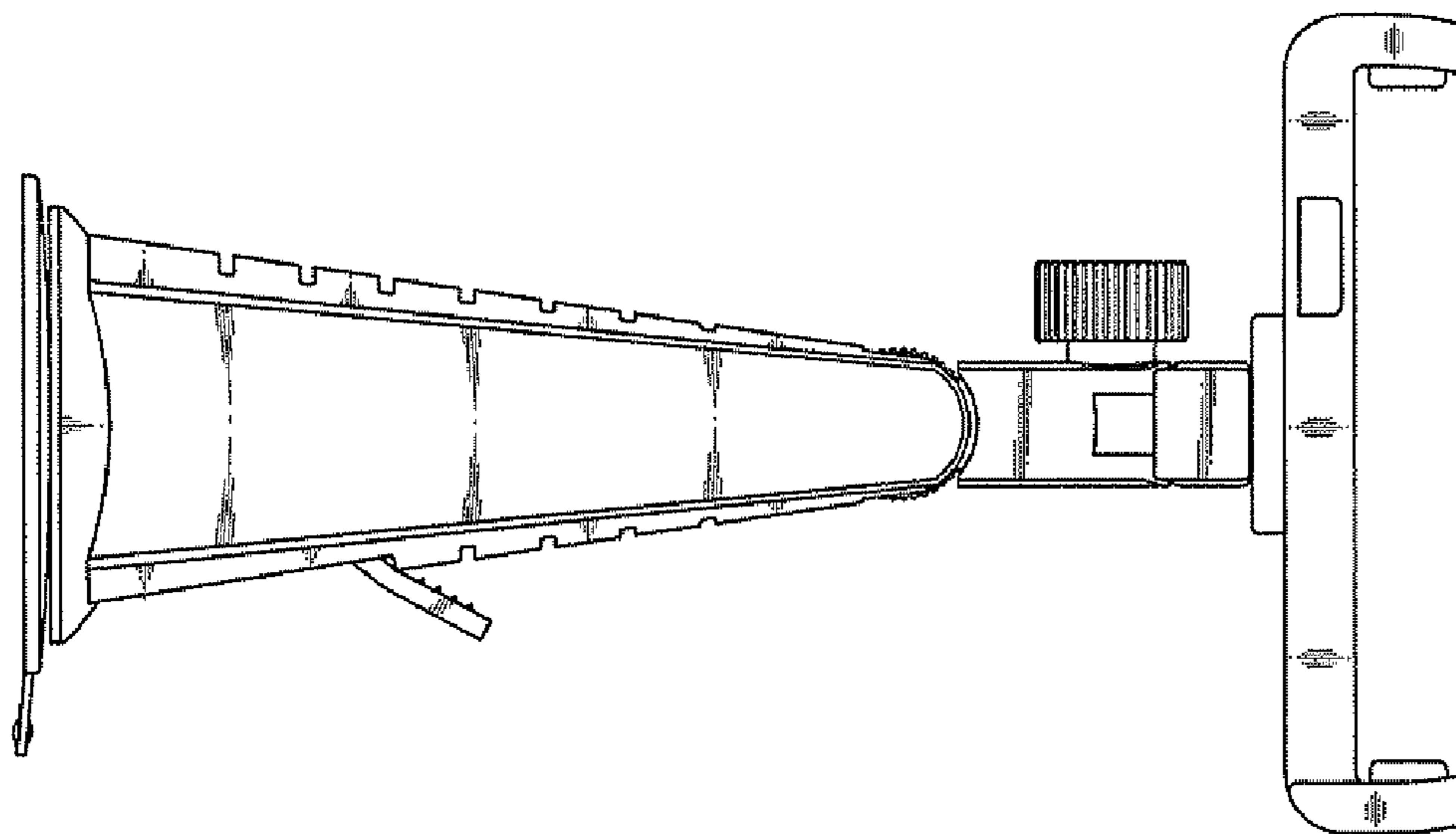


FIG. 4

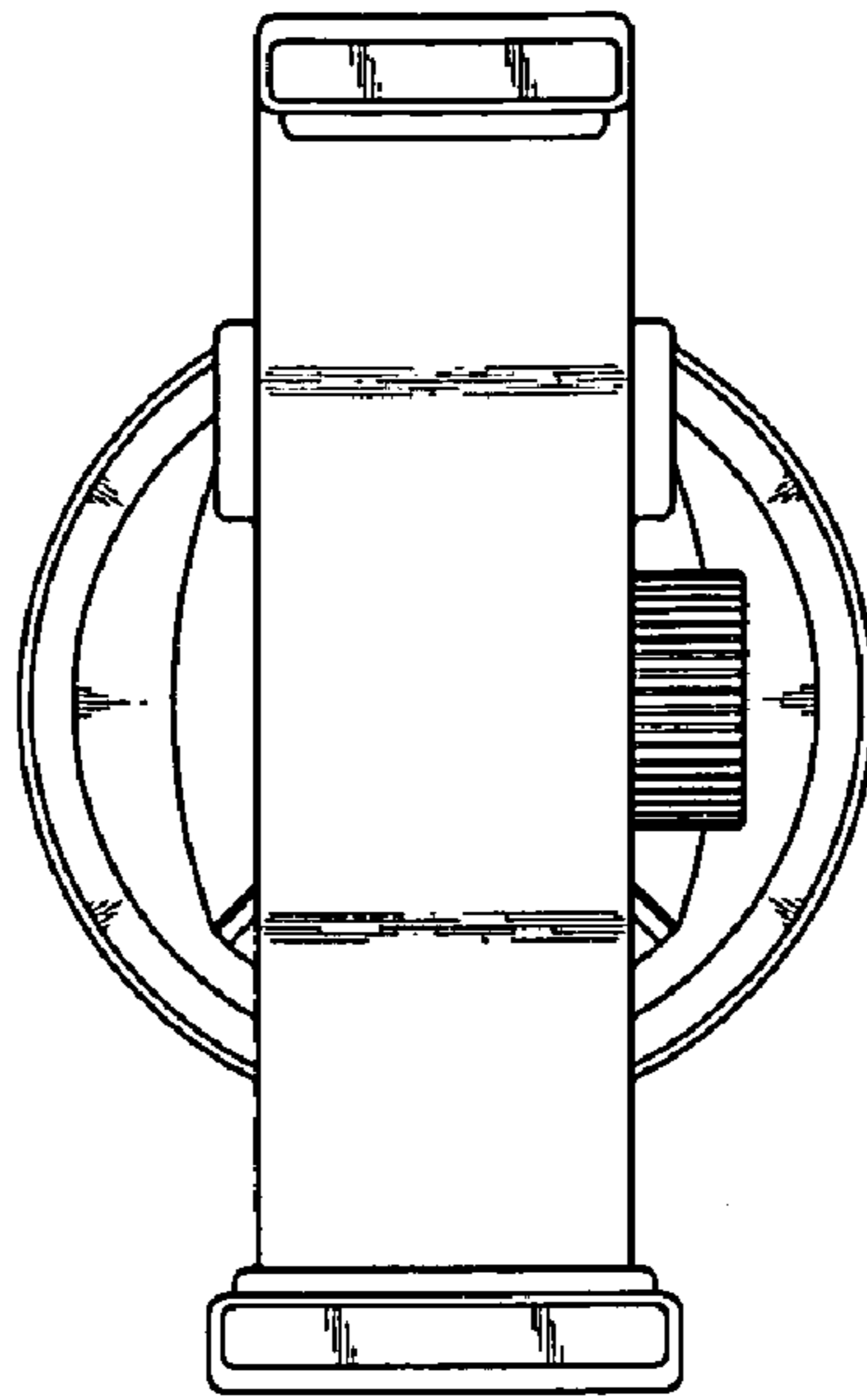


FIG. 5

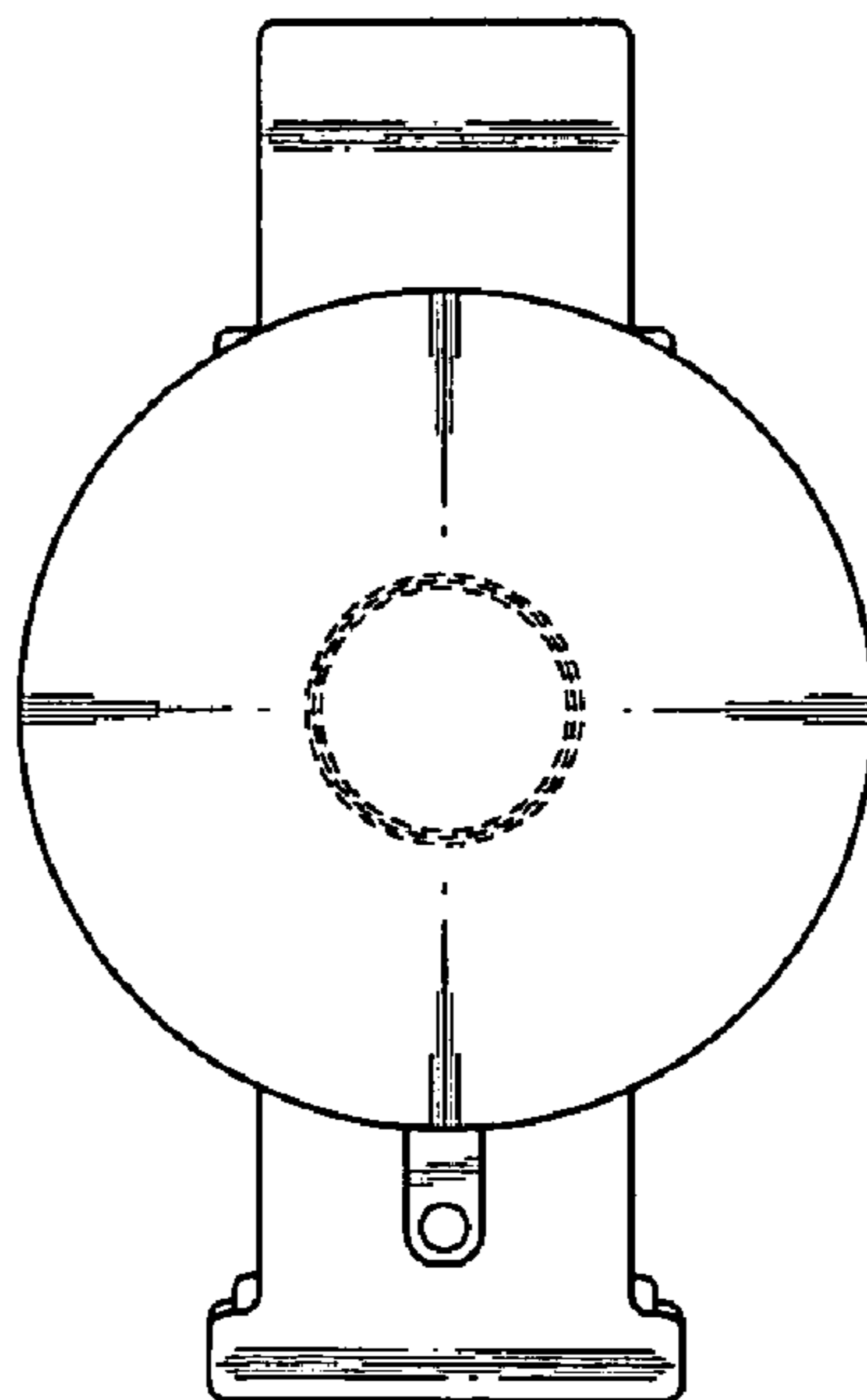


FIG. 6

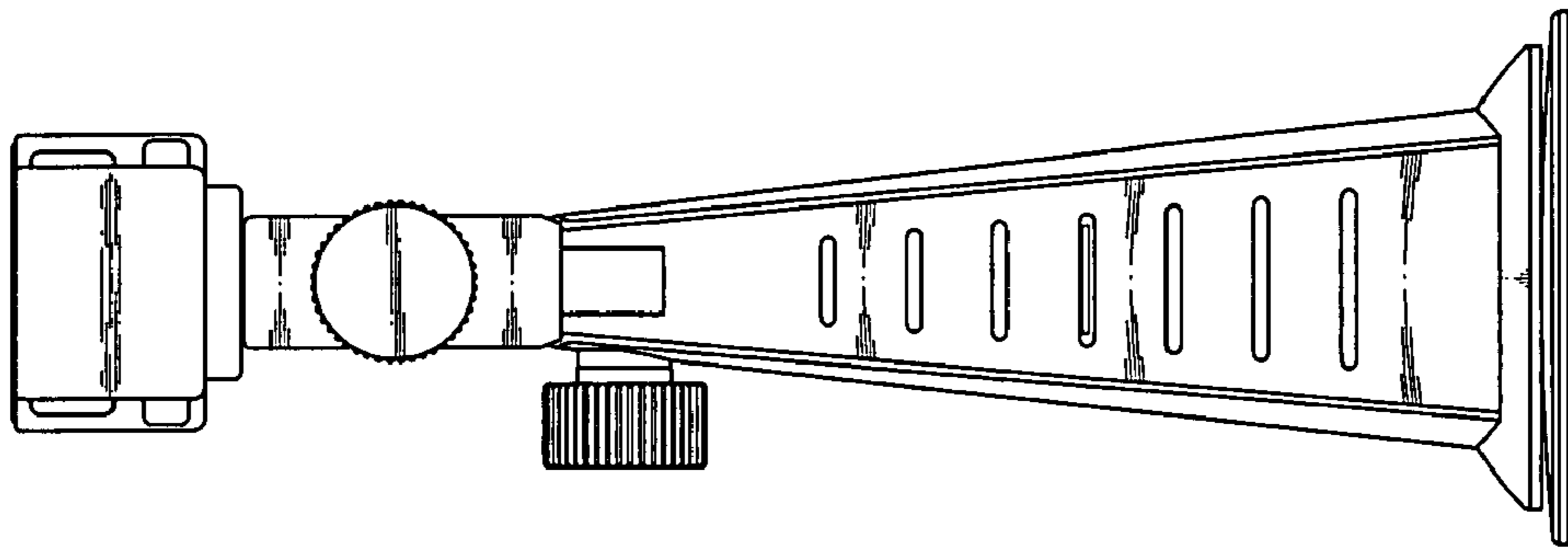


FIG. 7

