



US00D626537S

(12) **United States Design Patent**  
**Lee**

(10) **Patent No.:** **US D626,537 S**  
(45) **Date of Patent:** **\*\* Nov. 2, 2010**

(54) **CHARGER FOR MICROPHONES**

(75) Inventor: **Kyung Ho Lee**, Seoul (KR)

(73) Assignee: **Enter Tech Co., Ltd.**, Seoul (KR)

(\*\*) Term: **14 Years**

(21) Appl. No.: **29/342,469**

(22) Filed: **Aug. 25, 2009**

(51) **LOC (9) Cl.** ..... **14-01**

(52) **U.S. Cl.** ..... **D14/227**

(58) **Field of Classification Search** ..... D14/225,  
D14/226, 227, 228, 229, 137, 138 R, 142,  
D14/148, 149, 151, 155, 154, 251, 253, 434,  
D14/185, 168; D13/107, 108; D16/237,  
D16/242; 455/569.1, 575.1, 573; 320/107,  
320/109, 110, 114, 115

See application file for complete search history.

(56) **References Cited**

**U.S. PATENT DOCUMENTS**

D211,185 S \* 5/1968 Cox ..... D13/108  
D357,016 S \* 4/1995 Li et al. .... D14/168  
5,490,599 A \* 2/1996 Tohidi ..... 211/171  
D384,077 S \* 9/1997 Frasse ..... D14/229  
D397,084 S \* 8/1998 Siddoway ..... D13/107  
D510,562 S \* 10/2005 Lodato et al. .... D13/108

D519,921 S \* 5/2006 Claxton et al. .... D13/108  
D520,447 S \* 5/2006 Liu ..... D13/108  
D547,752 S \* 7/2007 Lee ..... D14/227  
D549,695 S \* 8/2007 Lee ..... D14/227

\* cited by examiner

*Primary Examiner*—Paula Greene

(74) *Attorney, Agent, or Firm*—Mannava & Kang, P.C.

(57) **CLAIM**

The ornamental design for a charger for microphones, as shown and described.

**DESCRIPTION**

FIG. 1 is a perspective view of a charger for microphones showing my new design;

FIG. 2 is a front view thereof;

FIG. 3 is a rear view thereof;

FIG. 4 is a left-side view thereof;

FIG. 5 is a right-side view thereof;

FIG. 6 is a plan view thereof;

FIG. 7 is a bottom plan view thereof; and,

FIG. 8 is a perspective view thereof.

The microphones are shown for illustrative purposes only and form no part of the claimed design.

**1 Claim, 8 Drawing Sheets**

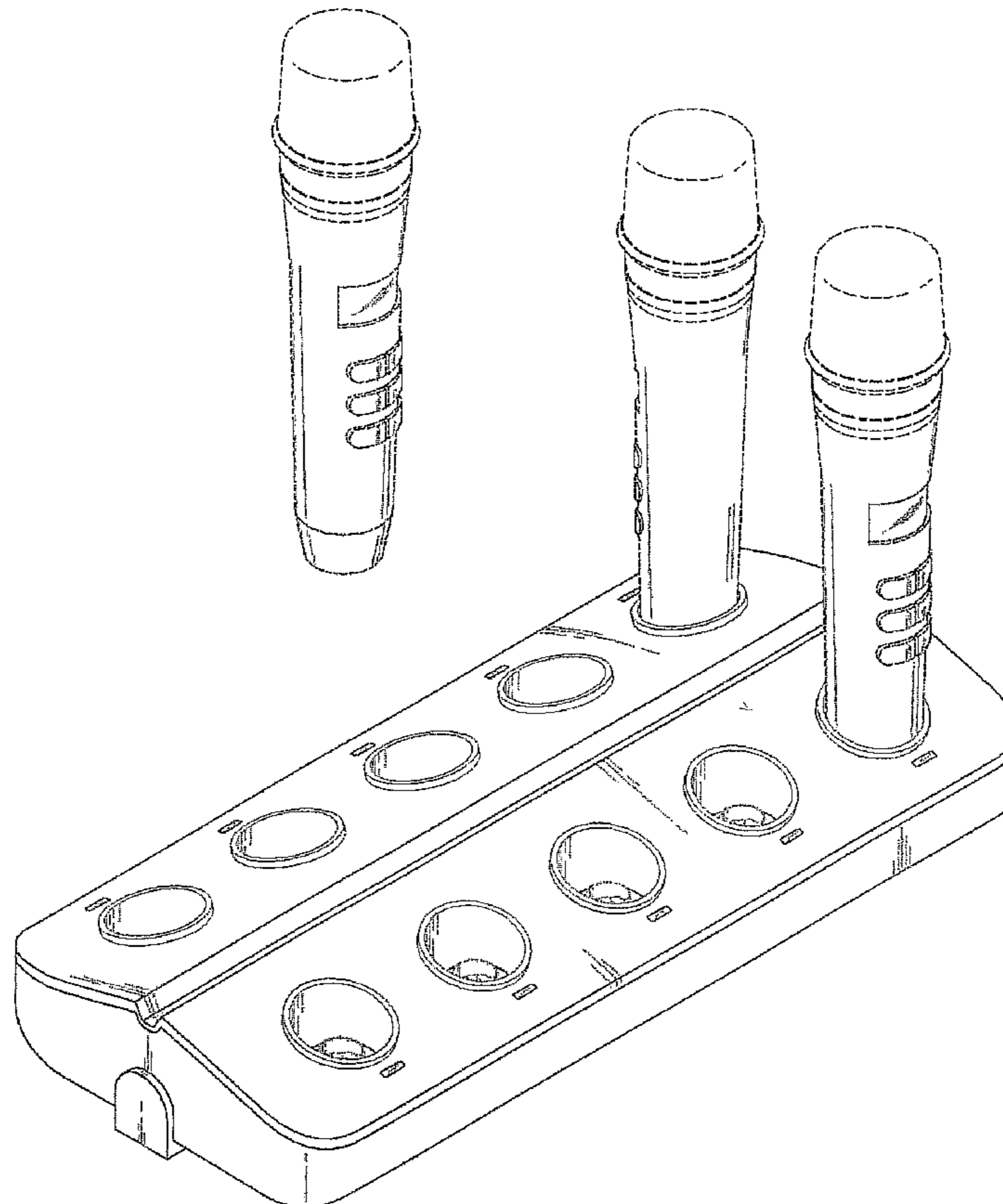


FIG. 1

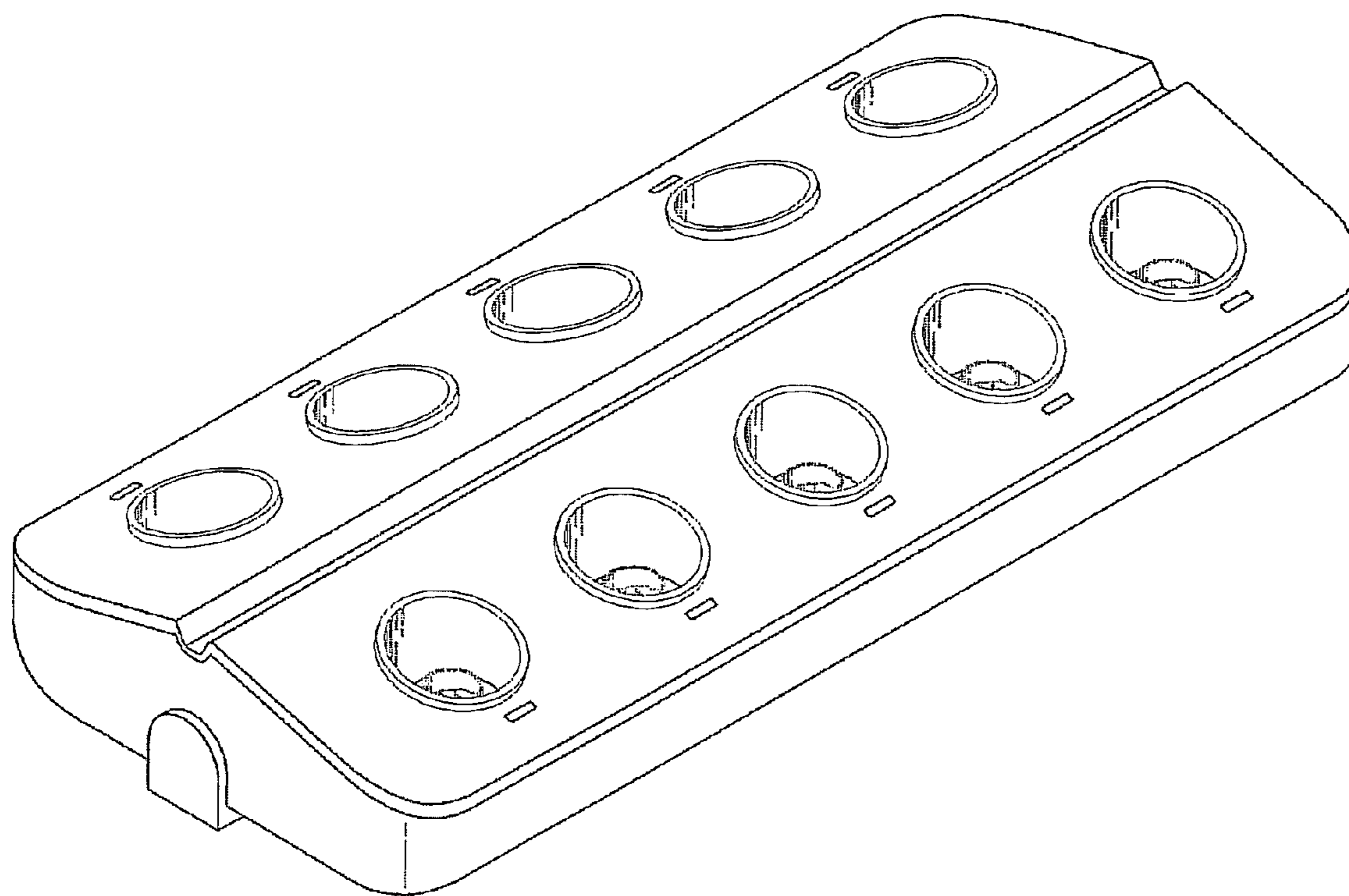


FIG. 2

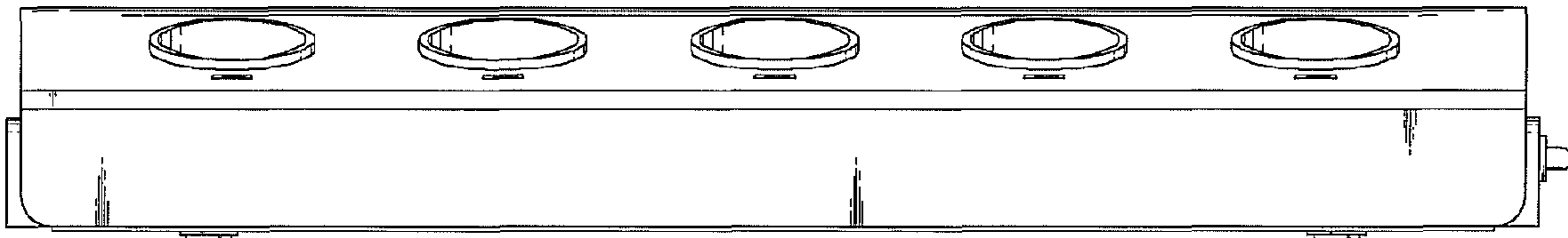


FIG. 3

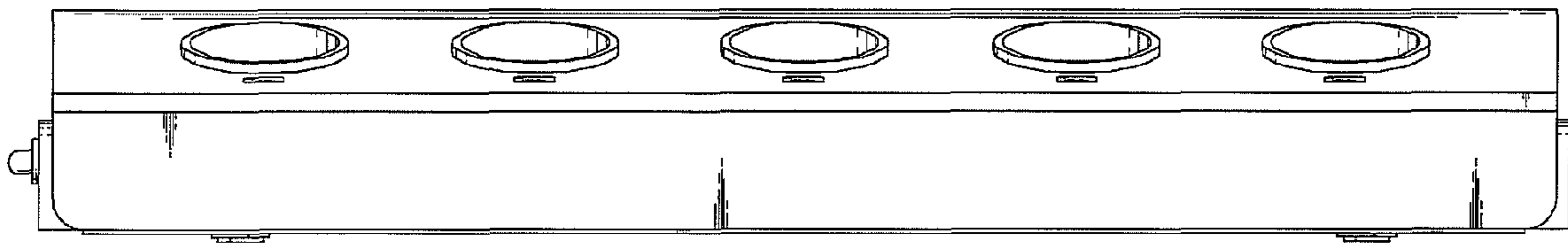


FIG. 4

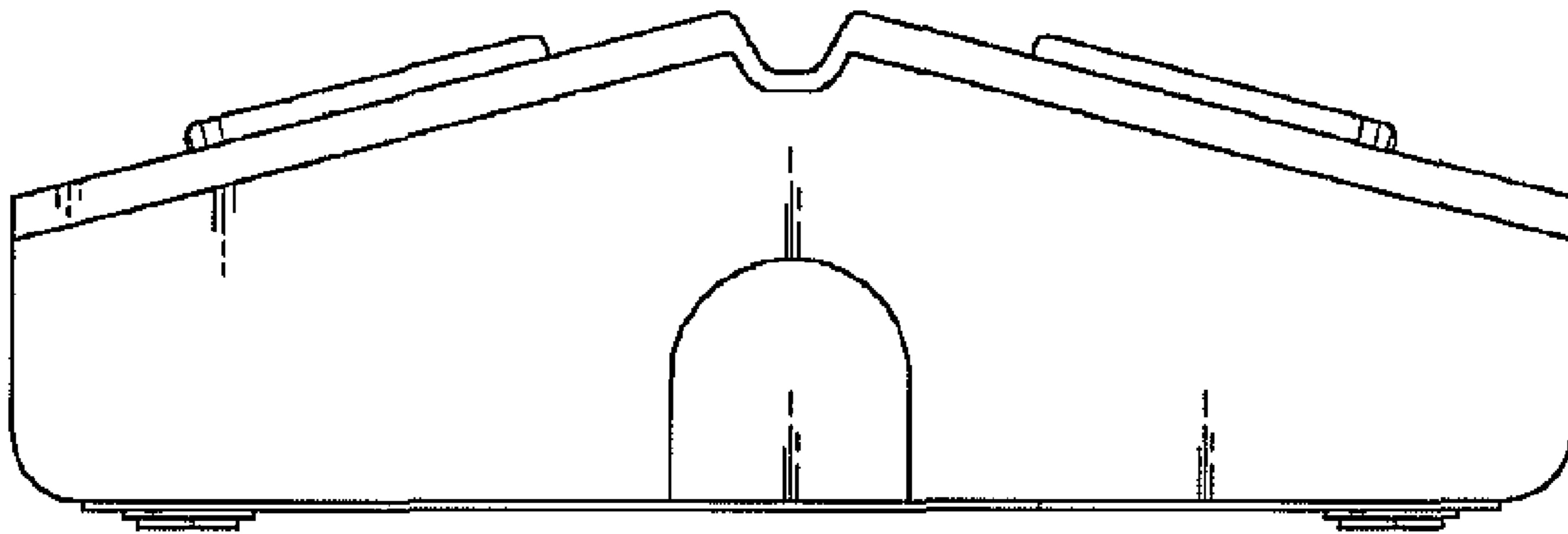


FIG. 5

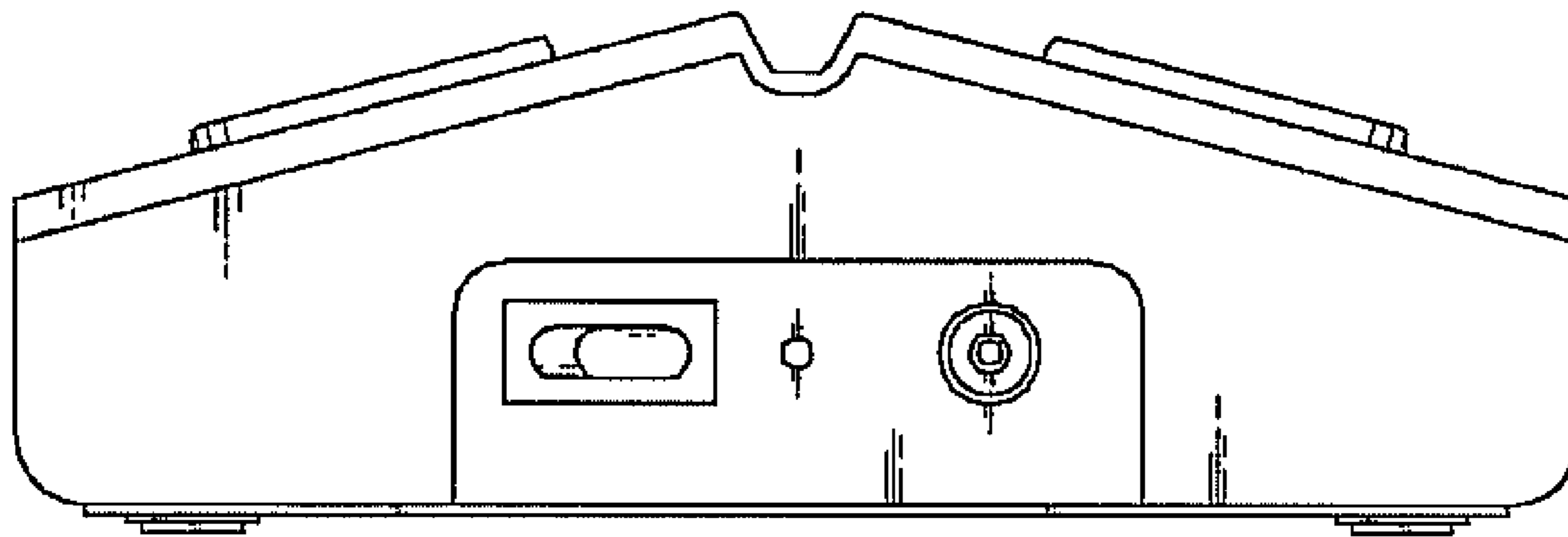


FIG. 6

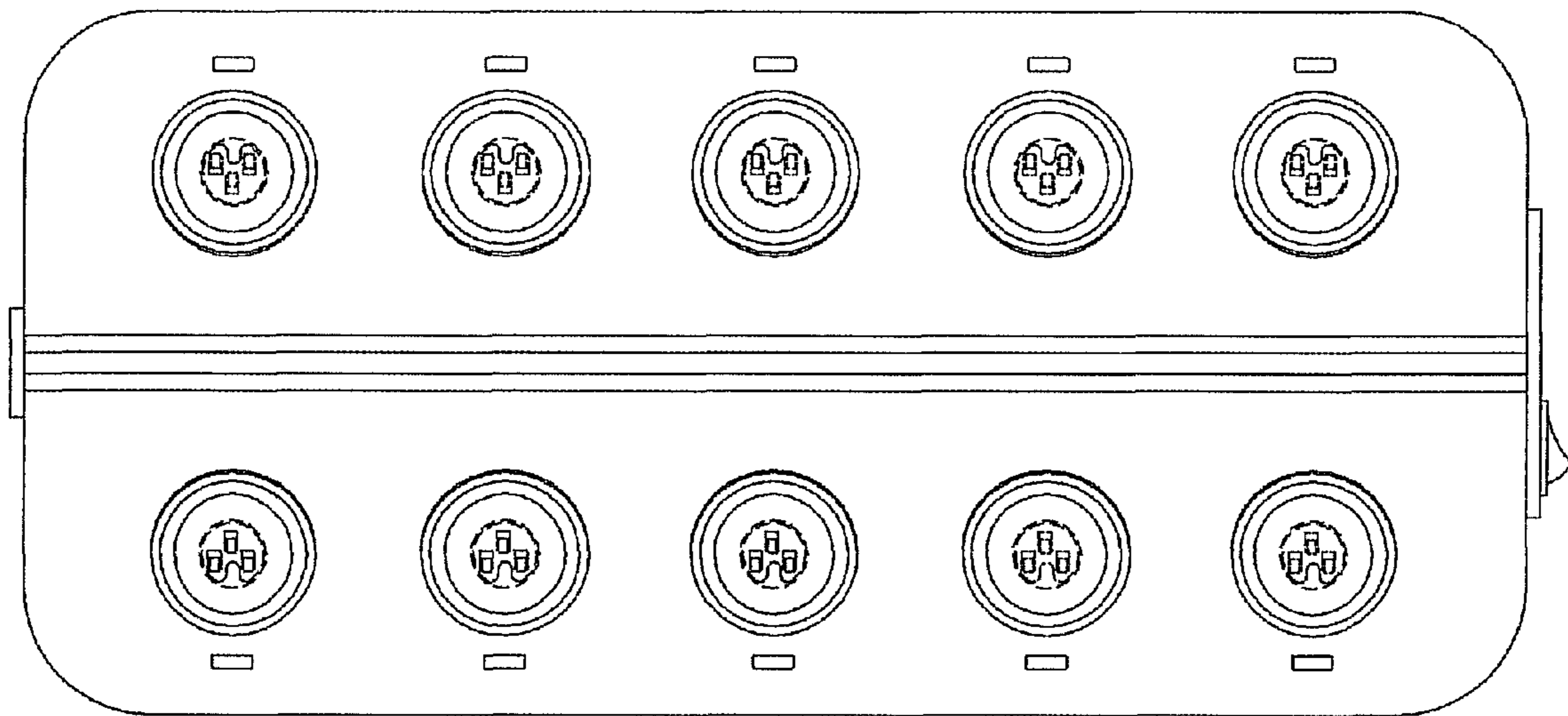


FIG. 7

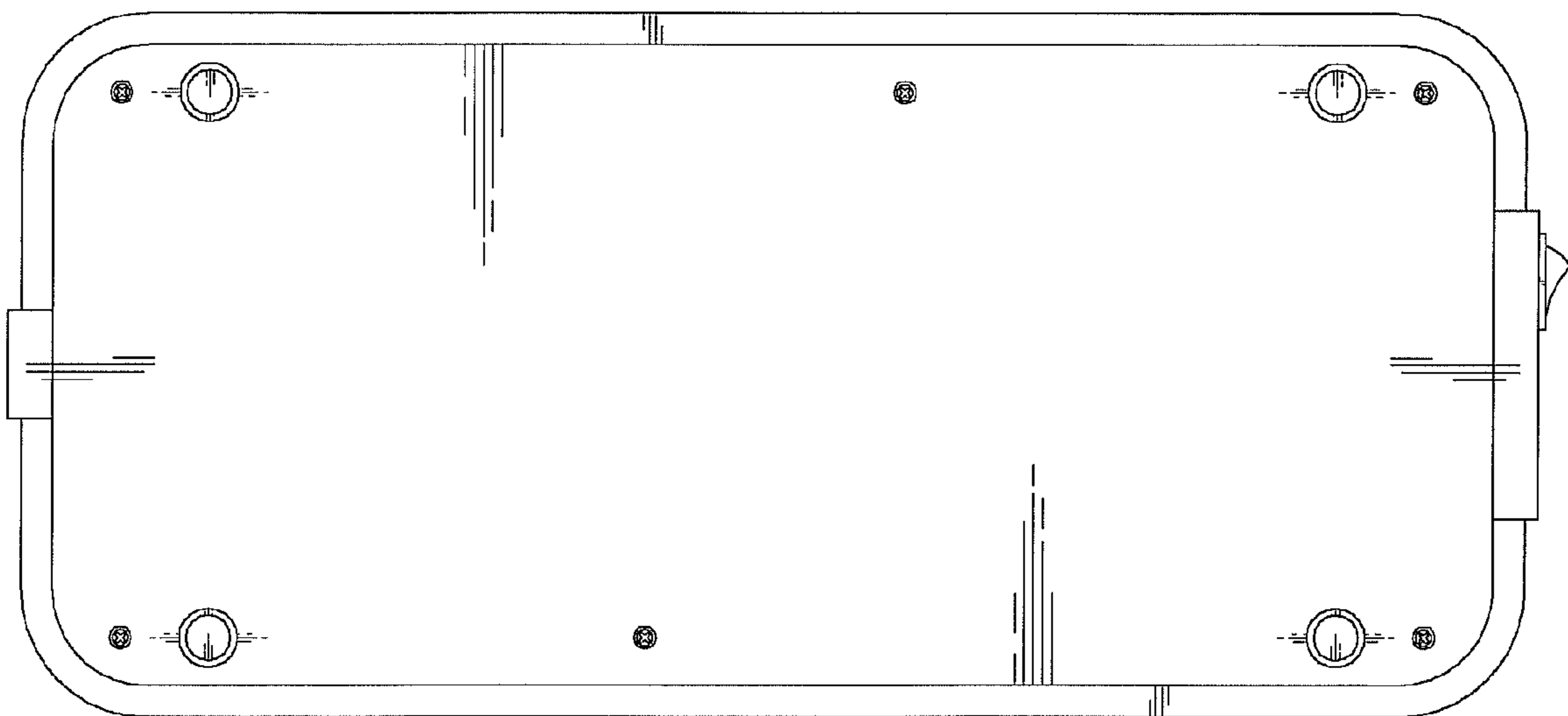




FIG. 8

