



US00D626536S

(12) **United States Design Patent**  
**Birger**

(10) **Patent No.:** **US D626,536 S**  
(45) **Date of Patent:** **\*\* Nov. 2, 2010**

(54) **HEADSET**

(75) Inventor: **Johan Birger**, Copenhagen (DK)

(73) Assignee: **GN Netcom A/S** (DK)

(\*\*) Term: **14 Years**

(21) Appl. No.: **29/350,448**

(22) Filed: **Nov. 17, 2009**

**Related U.S. Application Data**

(62) Division of application No. 29/324,448, filed on Sep. 12, 2008, now Pat. No. Des. 606,521.

(30) **Foreign Application Priority Data**

Mar. 25, 2008 (EM) ..... 000902259

(51) **LOC (9) Cl.** ..... **14-01**

(52) **U.S. Cl.** ..... **D14/223**

(58) **Field of Classification Search** ..... D14/205,  
D14/206, 223; 181/129, 130; D24/174;  
128/864, 865, 866; 455/90.3, 575.2  
See application file for complete search history.

(56) **References Cited**

**U.S. PATENT DOCUMENTS**

2,477,698	A	8/1949	Little	
D490,070	S	5/2004	Lee	
6,754,361	B1	6/2004	Hall et al.	
D502,166	S *	2/2005	Nakamura	D14/480.5
6,868,284	B2	3/2005	Bae	
D517,054	S *	3/2006	Yang	D14/223
7,020,300	B1	3/2006	Villaverde	
D520,497	S	5/2006	Yang	
D529,021	S *	9/2006	Jensen et al.	D14/223
D533,540	S *	12/2006	Murray	D14/205
D536,694	S *	2/2007	Eroma et al.	D14/223
D538,784	S	3/2007	Eklund	
D550,658	S *	9/2007	Wang	D14/223
D552,596	S *	10/2007	Christopher	D14/205
D555,151	S *	11/2007	Eklund	D14/223
D561,743	S *	2/2008	Huang et al.	D14/223

D564,500	S	3/2008	Wang	
D566,105	S	4/2008	Yang et al.	
D566,108	S *	4/2008	Kan	D14/223
D566,693	S	4/2008	Jensen et al.	
D566,694	S *	4/2008	Kim et al.	D14/223
D569,842	S *	5/2008	Yang	D14/205
D573,138	S	7/2008	Goransson	
D573,139	S	7/2008	Birger	
D574,366	S *	8/2008	Sade et al.	D14/223
D575,277	S	8/2008	Gaarde et al.	
D577,003	S	9/2008	Yang et al.	
D581,906	S	12/2008	Birger	
D586,329	S	2/2009	Birger	
D586,791	S *	2/2009	Birger et al.	D14/223
D588,113	S *	3/2009	Bradford	D14/223
D590,378	S *	4/2009	Bradford	D14/223
D592,190	S	5/2009	Birger	
D595,698	S *	7/2009	Guccione et al.	D14/223
D598,900	S *	8/2009	Wikel et al.	D14/223

(Continued)

*Primary Examiner*—Paula Greene  
(74) *Attorney, Agent, or Firm*—Altera Law Group, LLC

(57) **CLAIM**

The ornamental design for a headset, as shown and described.

**DESCRIPTION**

FIG. 1 is a perspective view of a headset showing my new design.

FIG. 2 is a front elevational view thereof.

FIG. 3 is a side elevational view thereof.

FIG. 4 is a top plan view thereof.

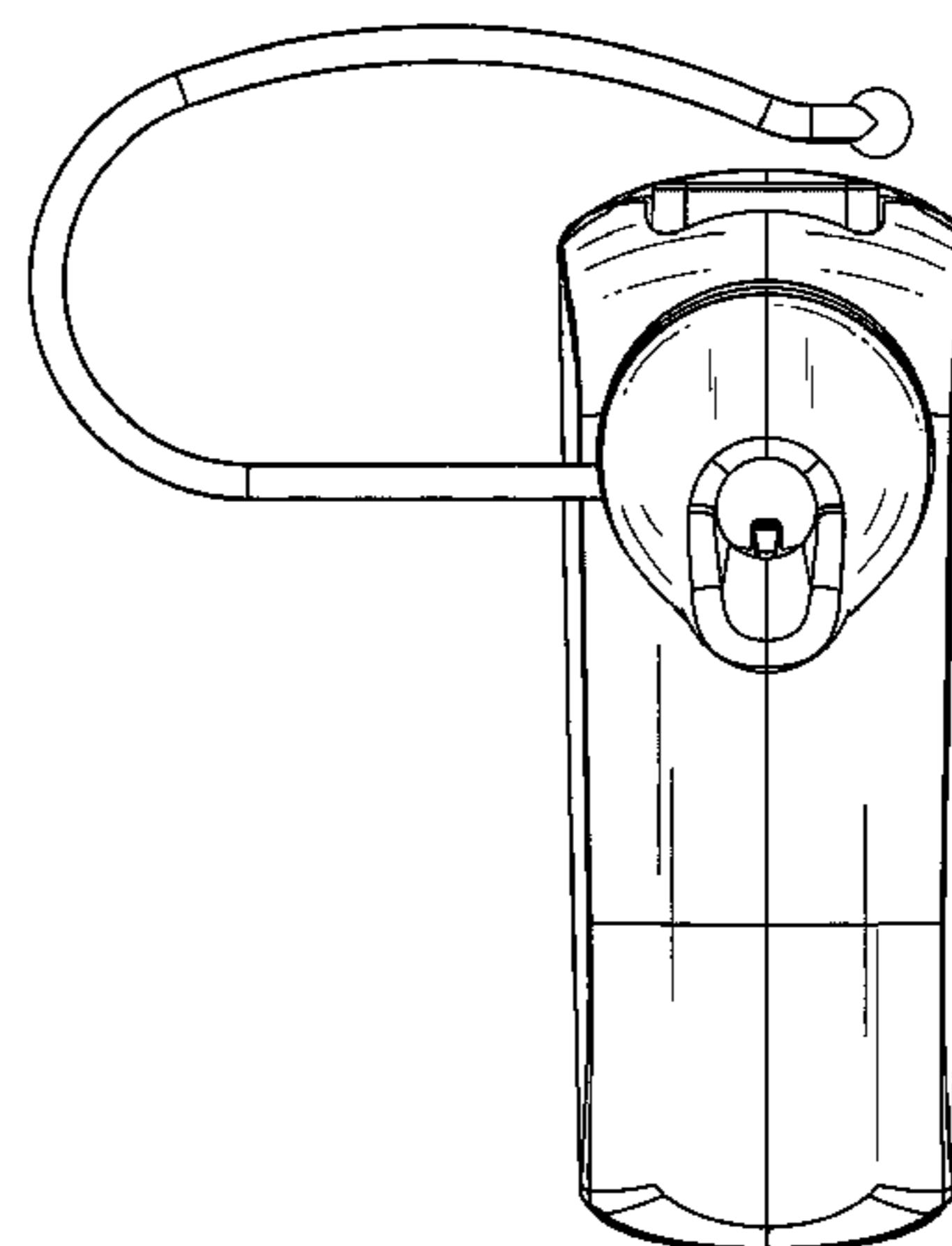
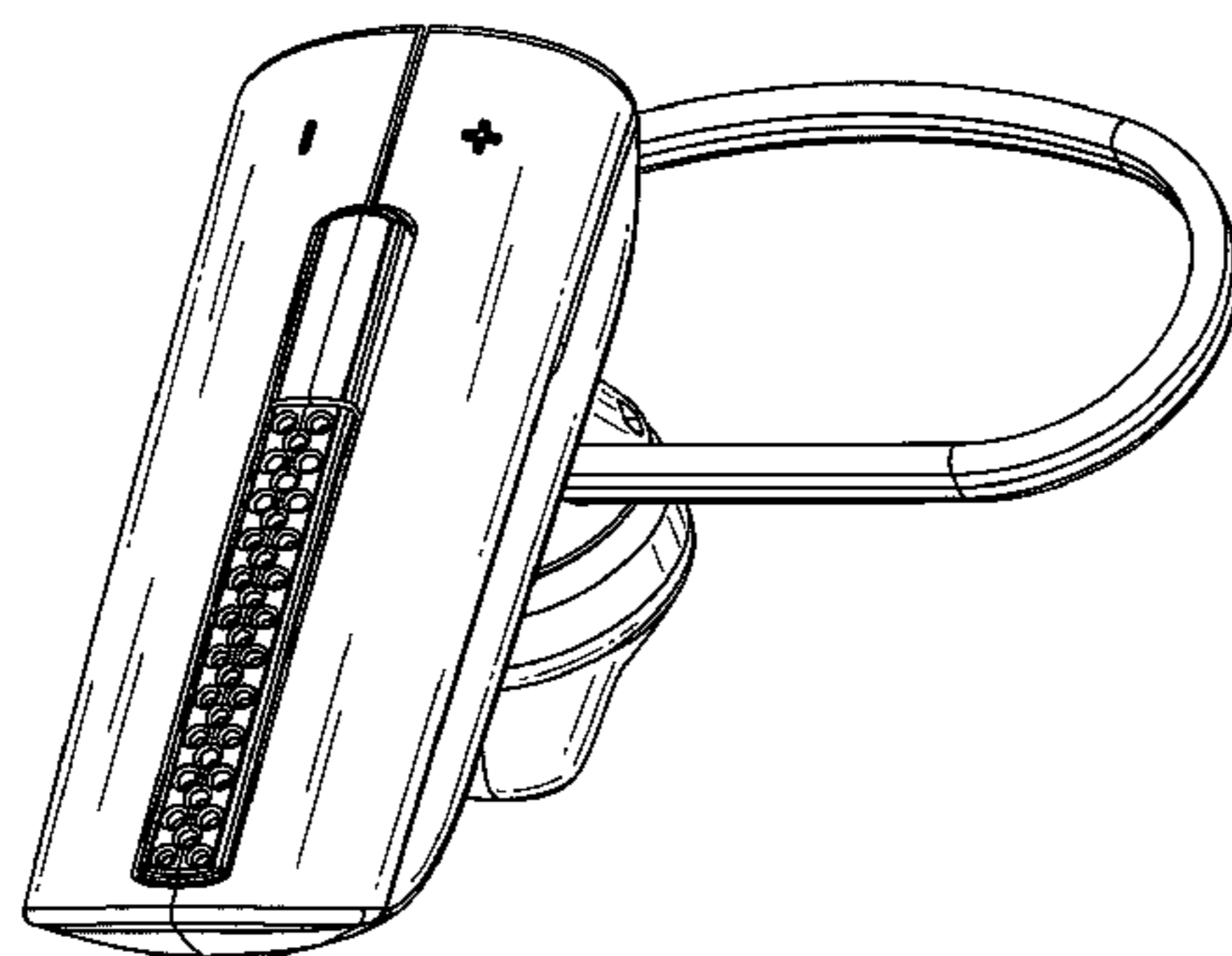
FIG. 5 is a bottom plan view thereof.

FIG. 6 is a view from the back thereof; and,

FIG. 7 is a side elevational view thereof.

The broken lines form no part of the claimed design.

**1 Claim, 3 Drawing Sheets**



# US D626,536 S

Page 2

---

## U.S. PATENT DOCUMENTS

D602,476 S	*	10/2009	Lee et al. ....	D14/223	
D606,521 S	*	12/2009	Birger .....	D14/223	* cited by examiner
					D609,695 S * 2/2010 Cigliano et al. .... D14/205

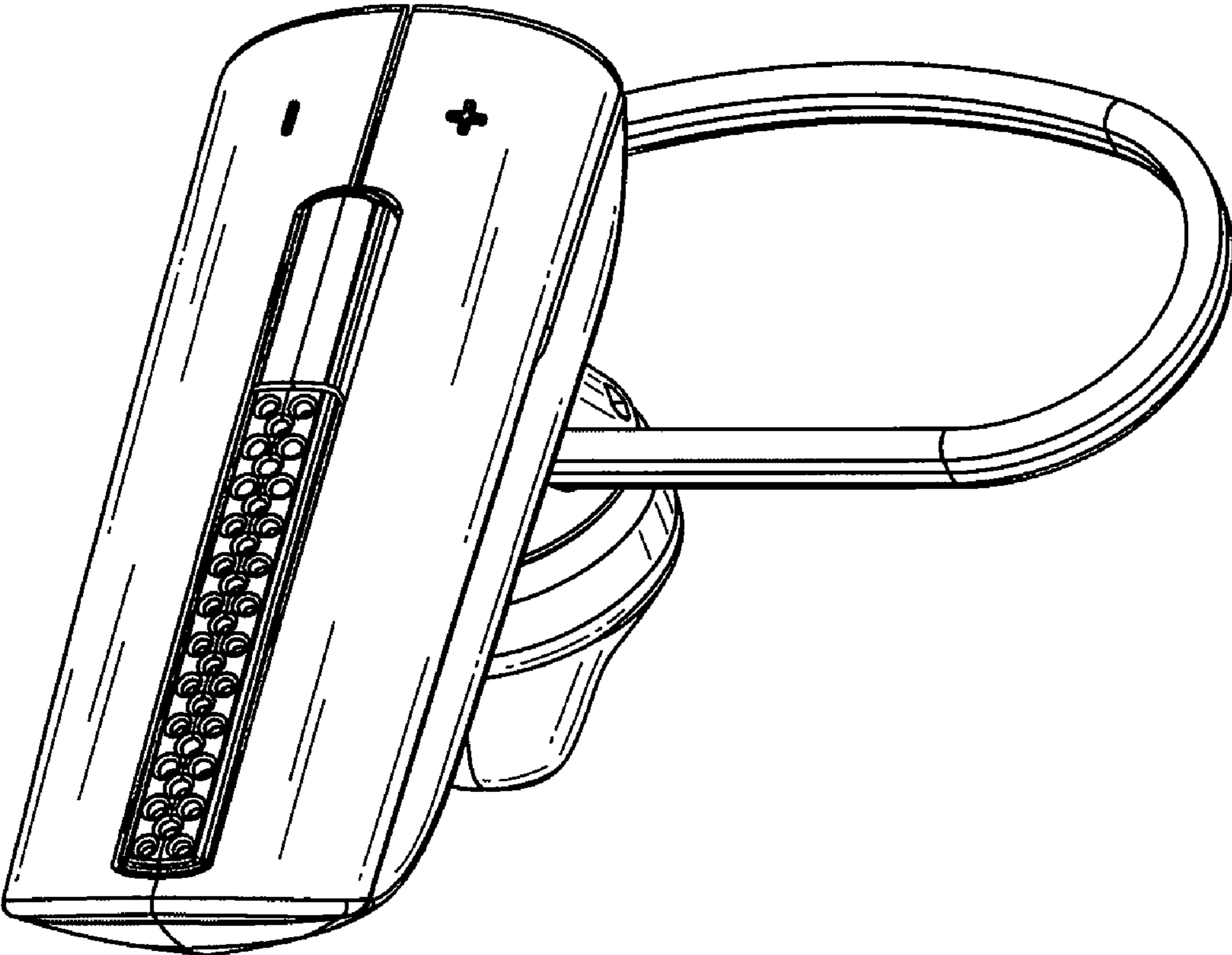
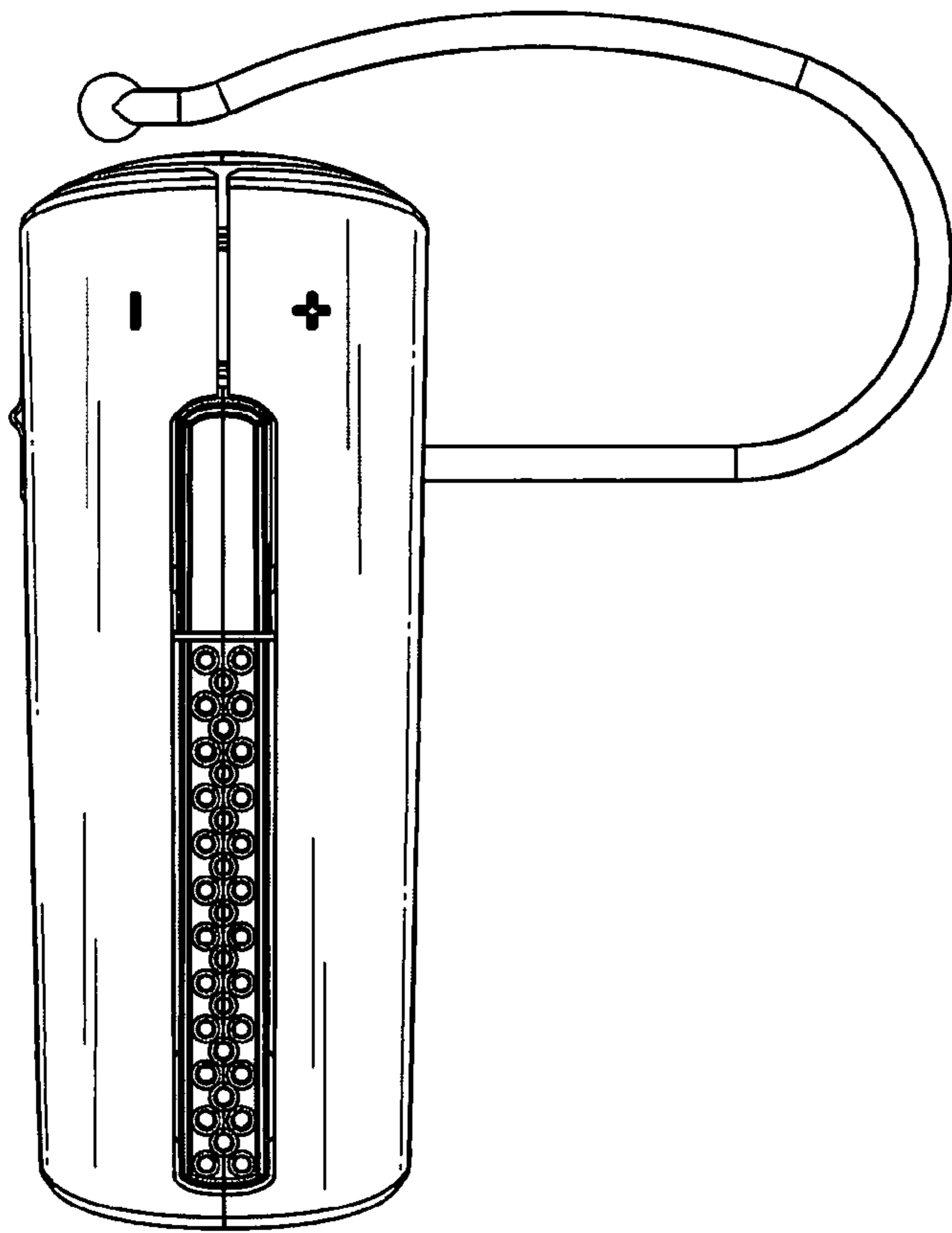
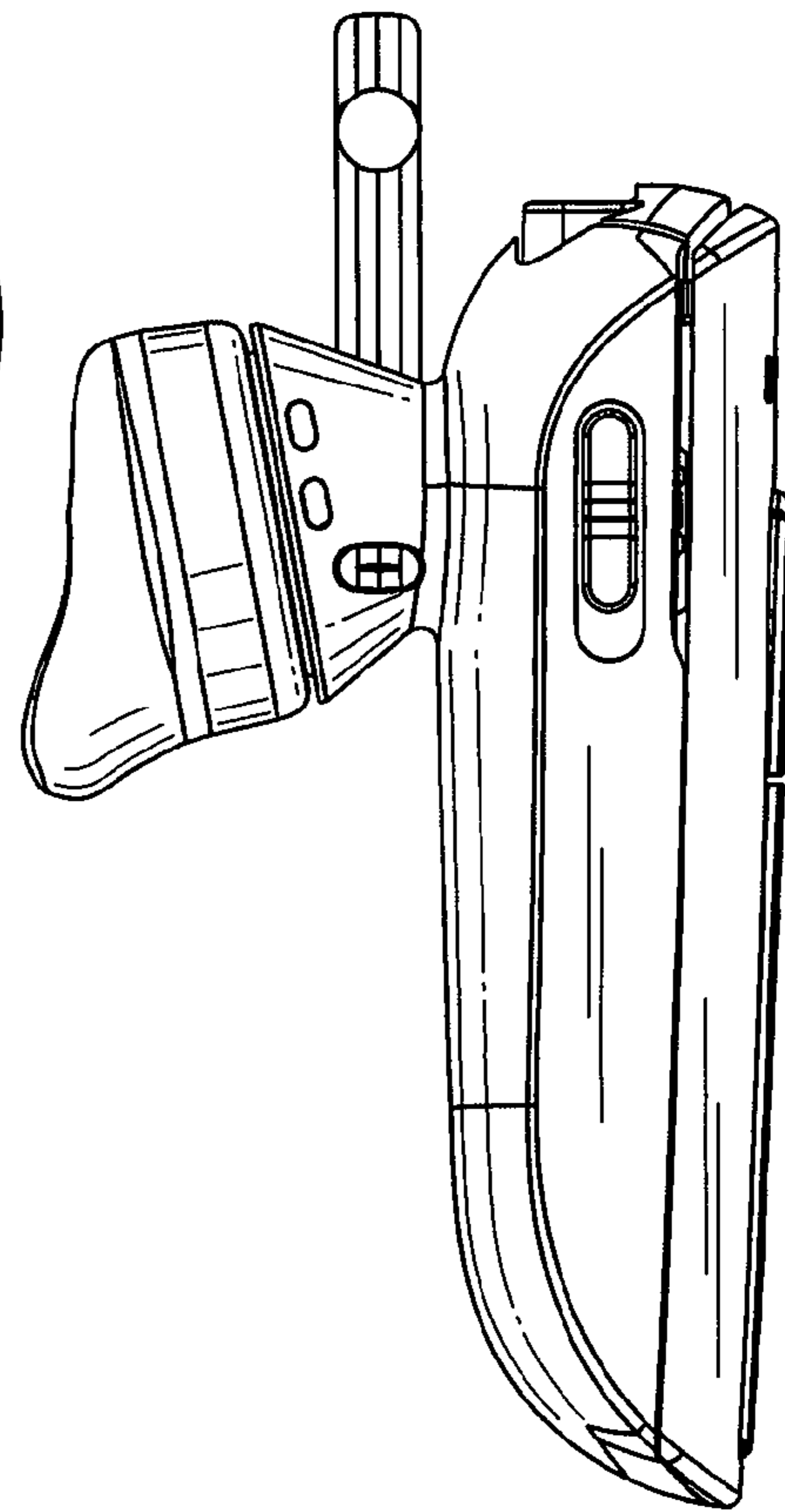


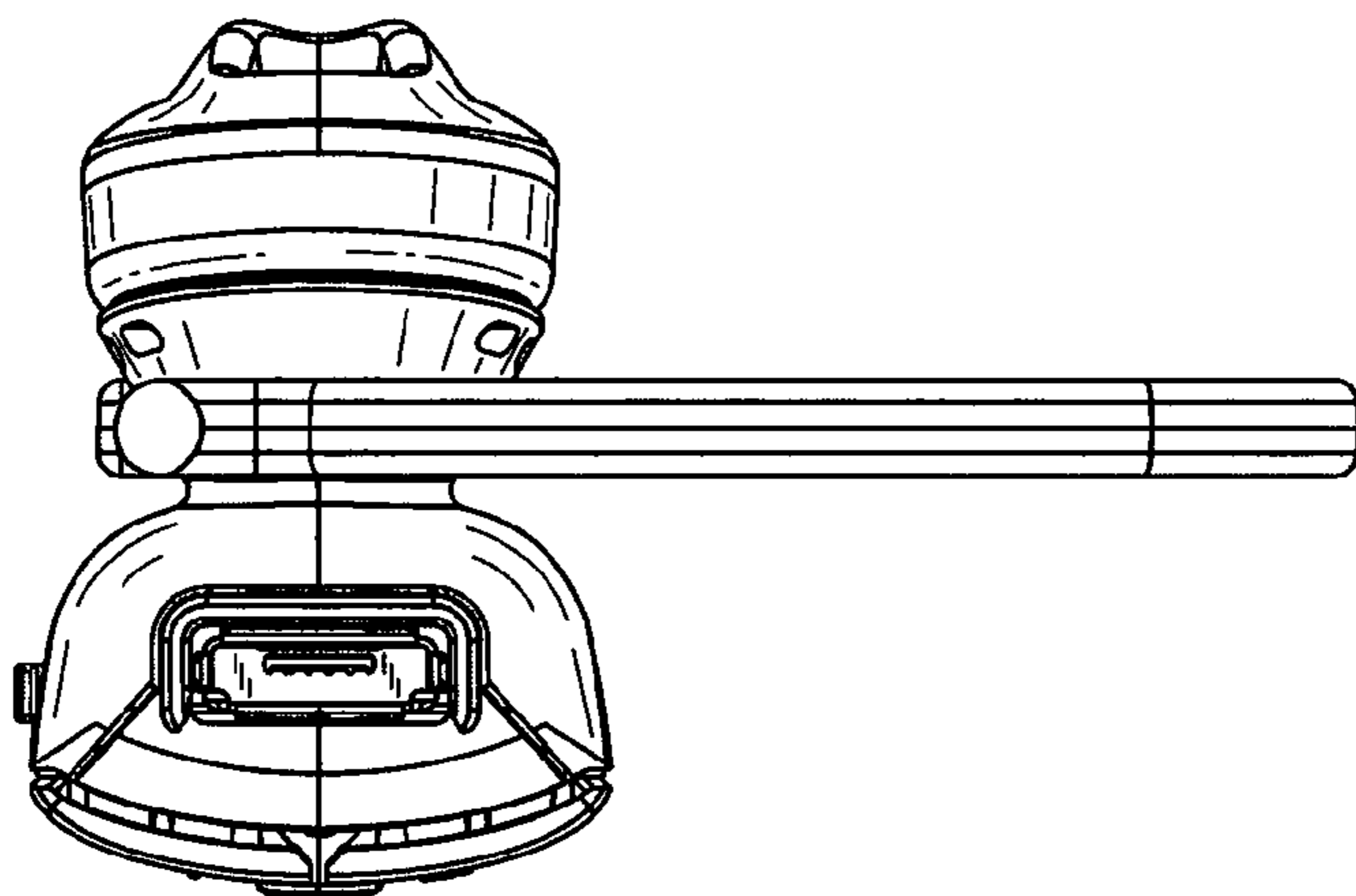
Fig. 1



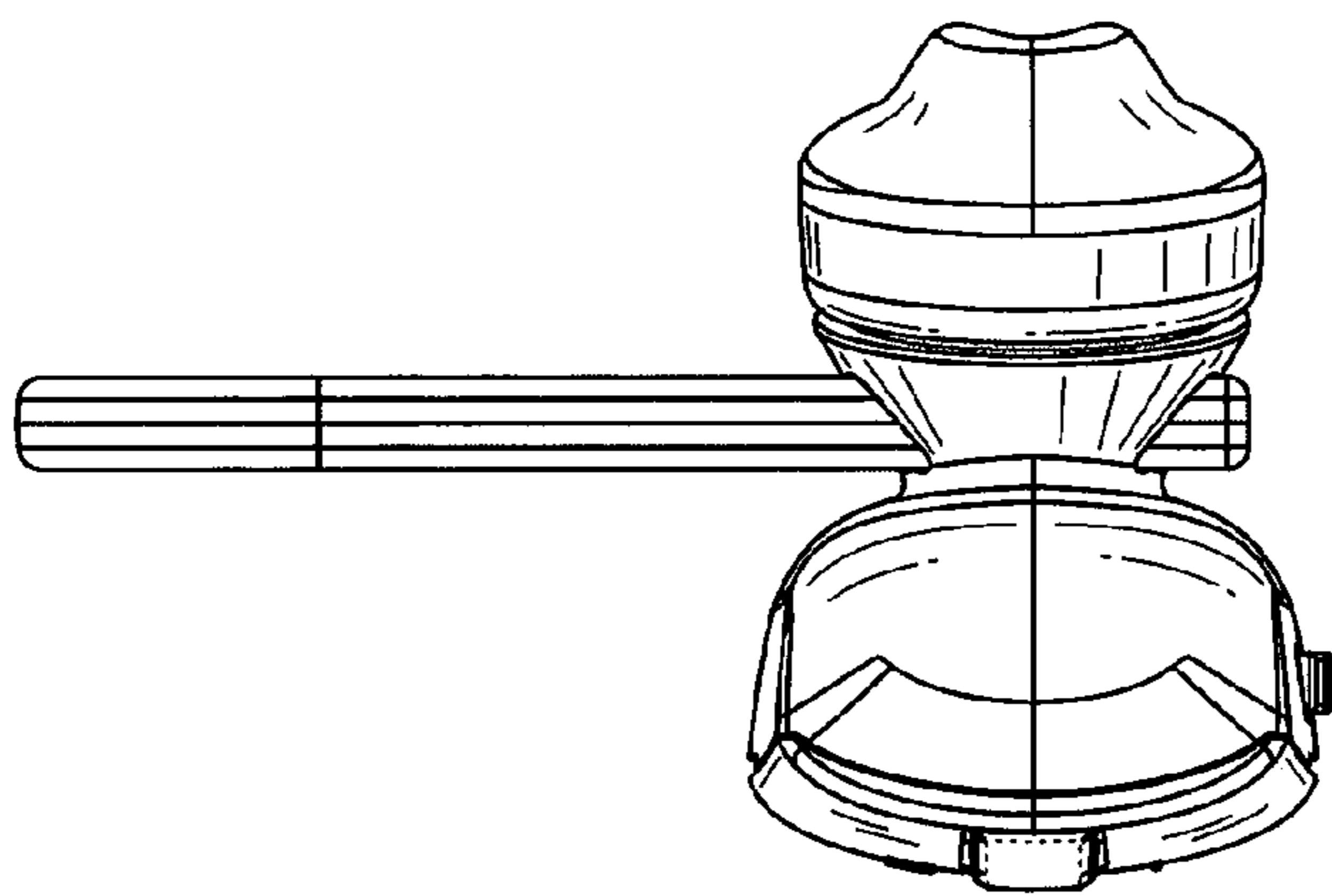
**Fig. 2**



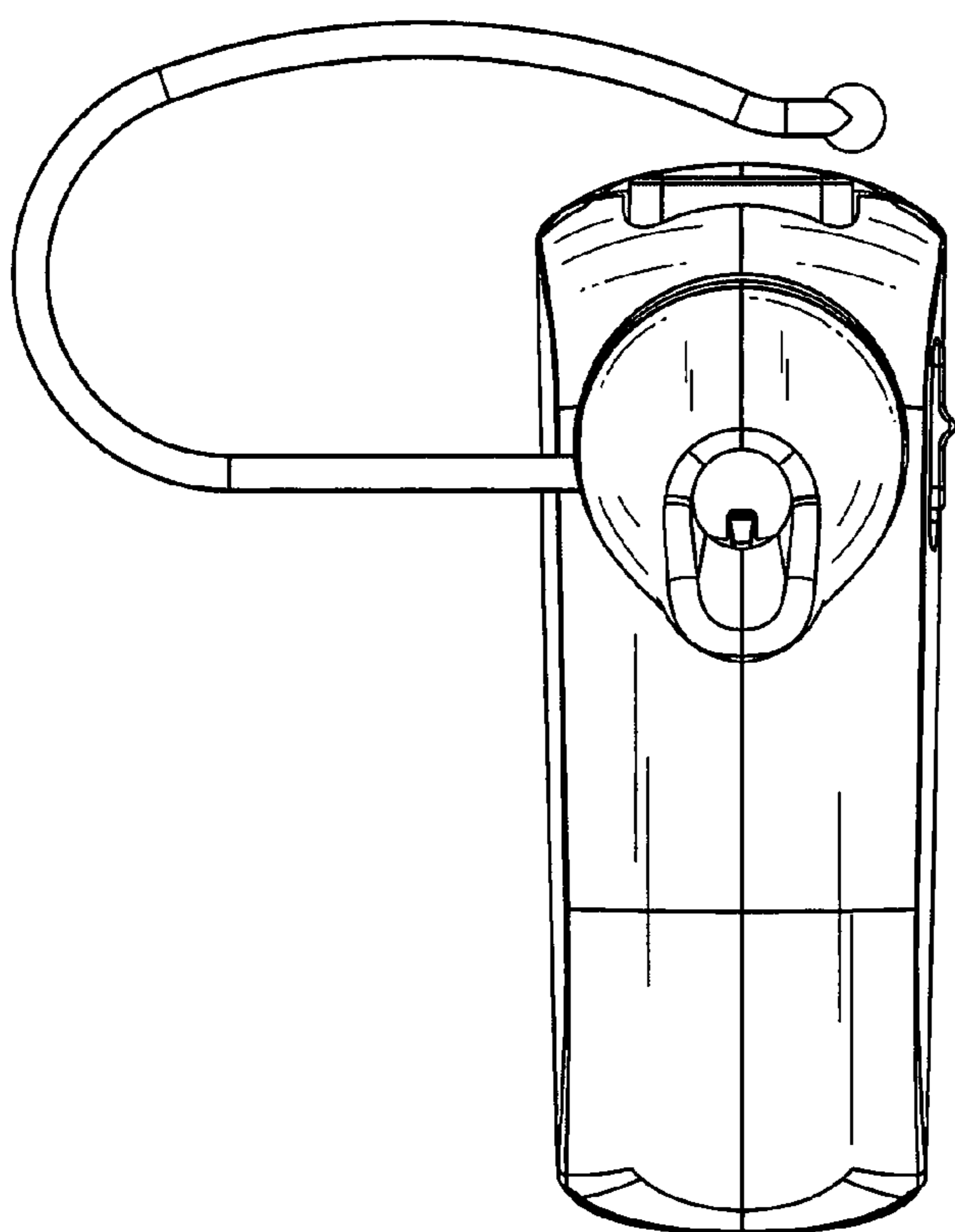
**Fig. 3**



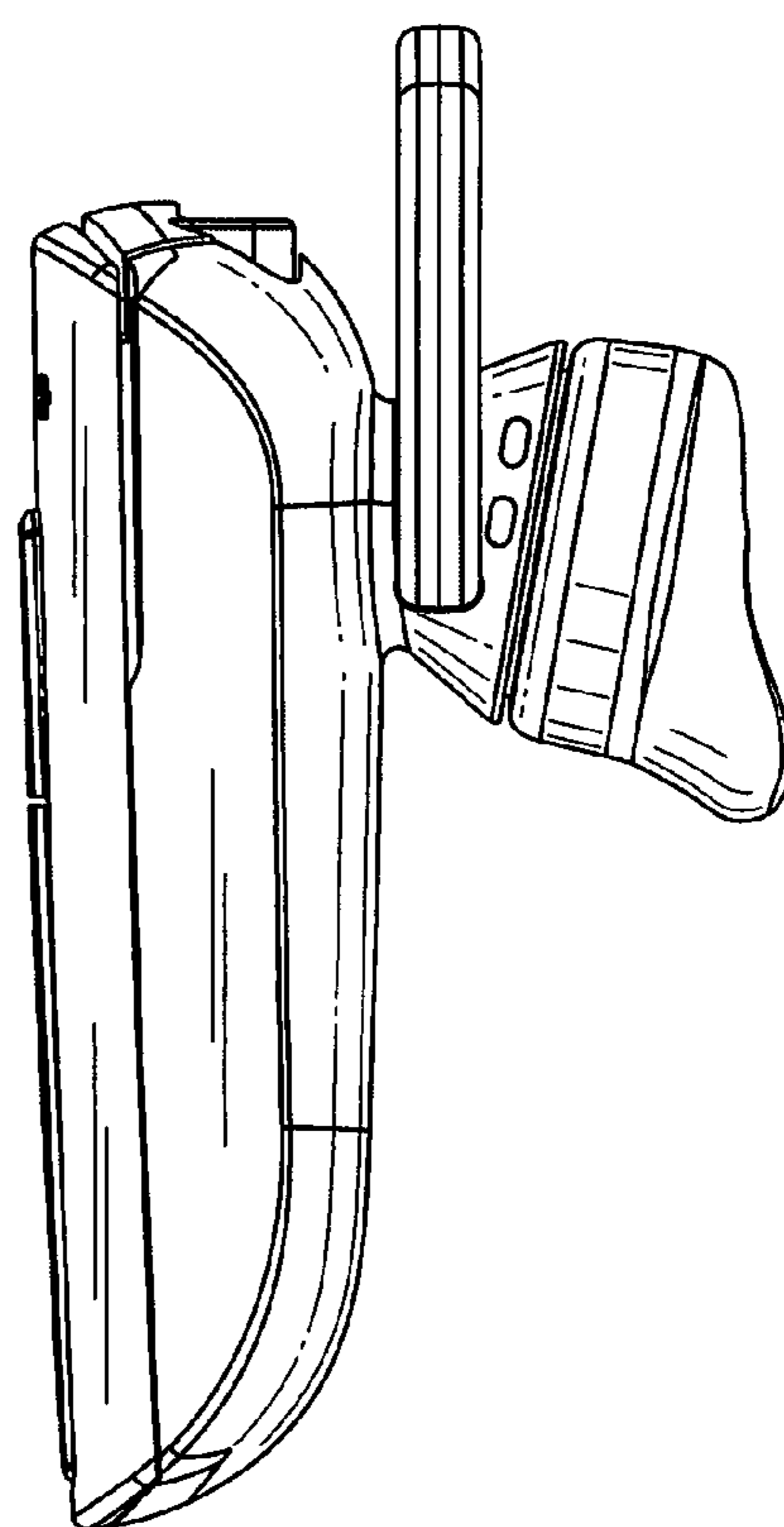
**Fig. 4**



**Fig. 5**



**Fig. 6**



**Fig. 7**