



US00D626535S

(12) **United States Design Patent**  
**Kim et al.**

(10) **Patent No.:** **US D626,535 S**  
(45) **Date of Patent:** **\*\* Nov. 2, 2010**

(54) **REMOTE CONTROL**

(75) Inventors: **Ja Young Kim**, Seoul (KR); **Sung Gu Joe**, Seoul (KR); **Sung Hoon Oh**, Seoul (KR); **In Koo Shim**, Gyeonggi-do (KR)

(73) Assignee: **LG Electronics Inc.**, Seoul (KR)

(\*\*) Term: **14 Years**

(21) Appl. No.: **29/362,145**

(22) Filed: **May 20, 2010**

(30) **Foreign Application Priority Data**

Nov. 26, 2009 (KR) ..... 30-2009-0052228

(51) **LOC (9) Cl.** ..... **14-03**

(52) **U.S. Cl.** ..... **D14/218**

(58) **Field of Classification Search** ..... D14/174,  
D14/137-139, 151, 217, 218, 191-193, 167,  
D14/299, 168, 247, 455, 456; D13/168,  
D13/162-164; D21/512-517, 566; D10/104,  
D10/106; 345/169; 348/114, 734; 455/352-355,  
455/151.1-151.4, 128, 347, 90.3  
See application file for complete search history.

(56) **References Cited**

**U.S. PATENT DOCUMENTS**

- D354,489 S \* 1/1995 Patton et al. .... D14/218
- D367,060 S \* 2/1996 Augaitis et al. .... D14/218
- D415,115 S \* 10/1999 Kawashima ..... D13/168
- D452,520 S \* 12/2001 Gotham et al. .... D16/235
- D485,546 S \* 1/2004 Olson et al. .... D14/218

- D498,472 S \* 11/2004 Borsboom ..... D14/218
- D516,545 S \* 3/2006 Lai ..... D14/218
- D544,468 S \* 6/2007 Anandpura et al. .... D14/218
- D563,906 S \* 3/2008 Cheng ..... D13/168
- D571,305 S \* 6/2008 Thursfield ..... D13/168
- D573,981 S \* 7/2008 Hoehn et al. .... D14/218
- D577,721 S \* 9/2008 O'Neil ..... D14/358
- D598,009 S \* 8/2009 Painter ..... D14/218
- D602,916 S \* 10/2009 Won et al. .... D14/218
- D613,272 S \* 4/2010 Painter ..... D14/218
- D615,531 S \* 5/2010 Shibukawa et al. .... D14/218

\* cited by examiner

*Primary Examiner*—Cathron C Brooks

*Assistant Examiner*—John Windmuller

(74) *Attorney, Agent, or Firm*—Morgan Lewis & Bockius LLP

(57) **CLAIM**

The ornamental design for a remote control, as shown and described.

**DESCRIPTION**

FIG. 1 is a top, front, perspective view of a remote control showing our new design;

FIG. 2 is a front view thereof;

FIG. 3 is a rear view thereof;

FIG. 4 is a left side view thereof;

FIG. 5 is a right side view thereof;

FIG. 6 is a top view thereof; and,

FIG. 7 is a bottom view thereof.

**1 Claim, 6 Drawing Sheets**

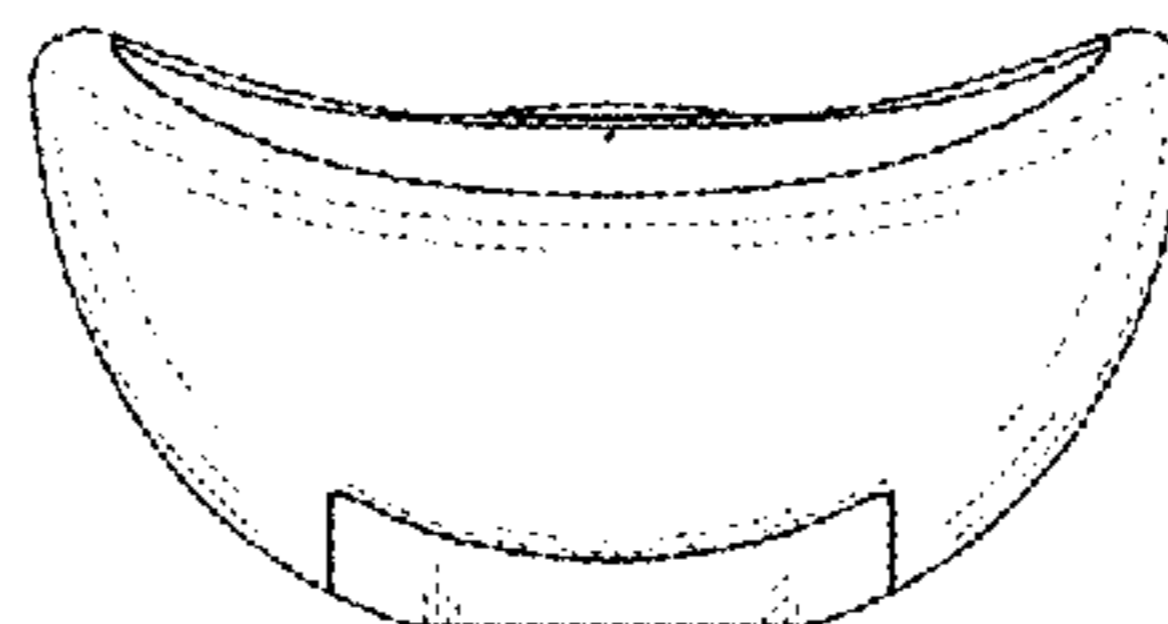
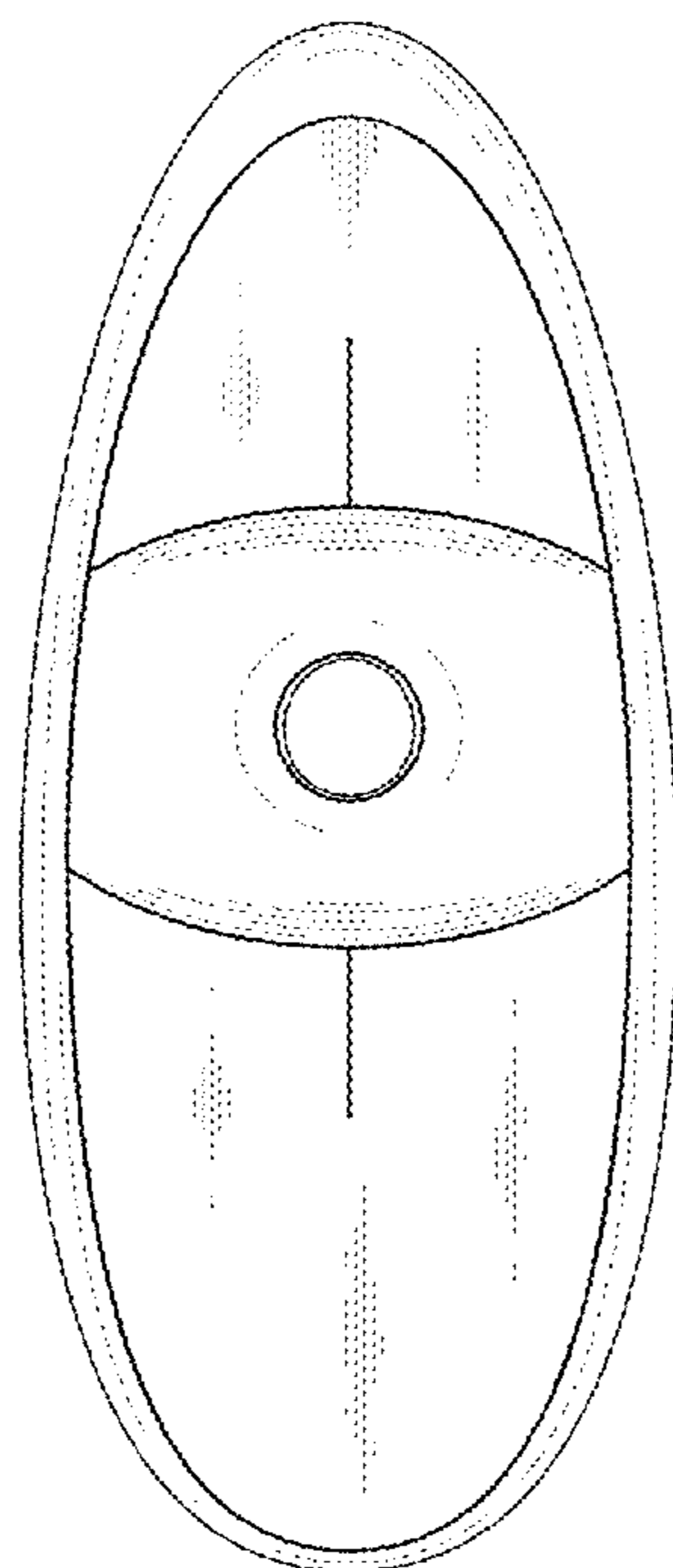


FIG. 1

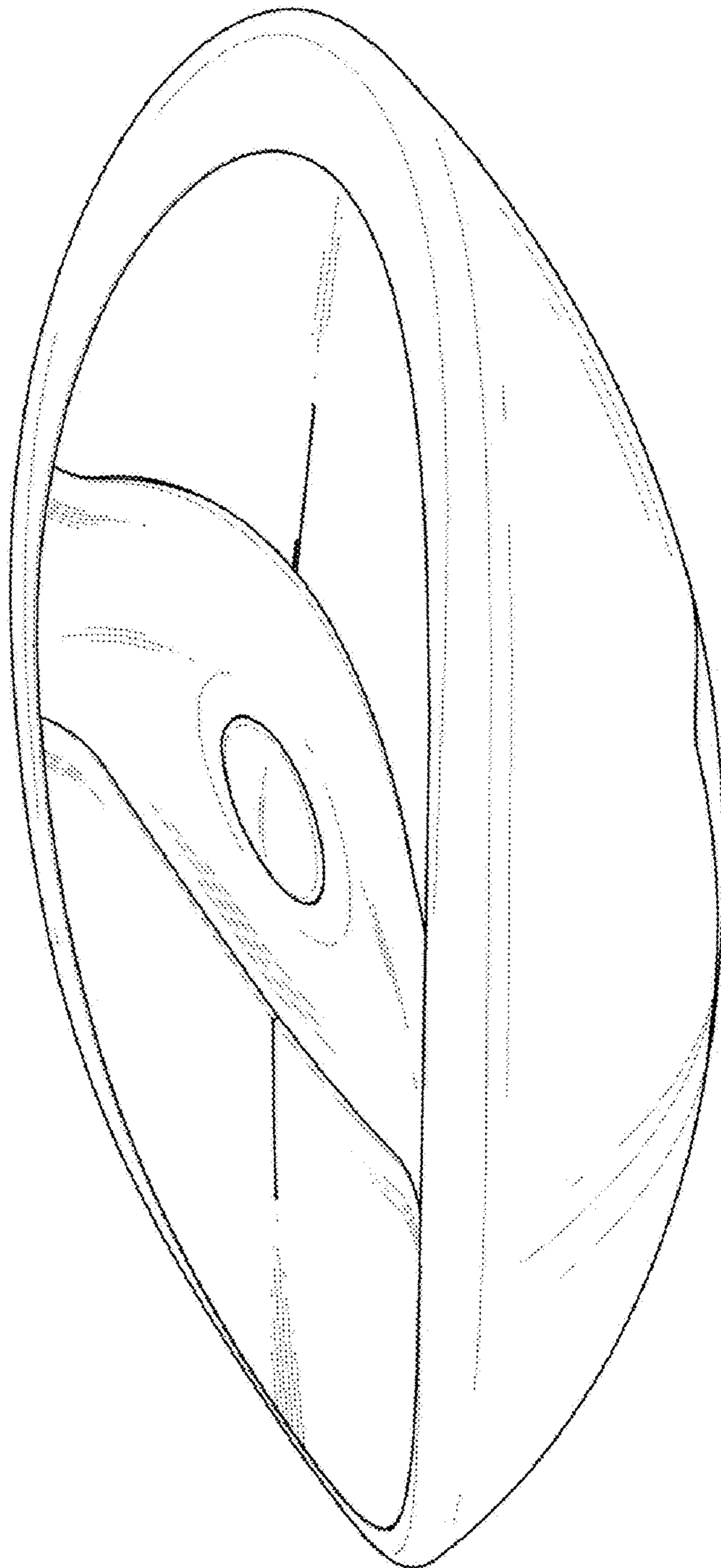
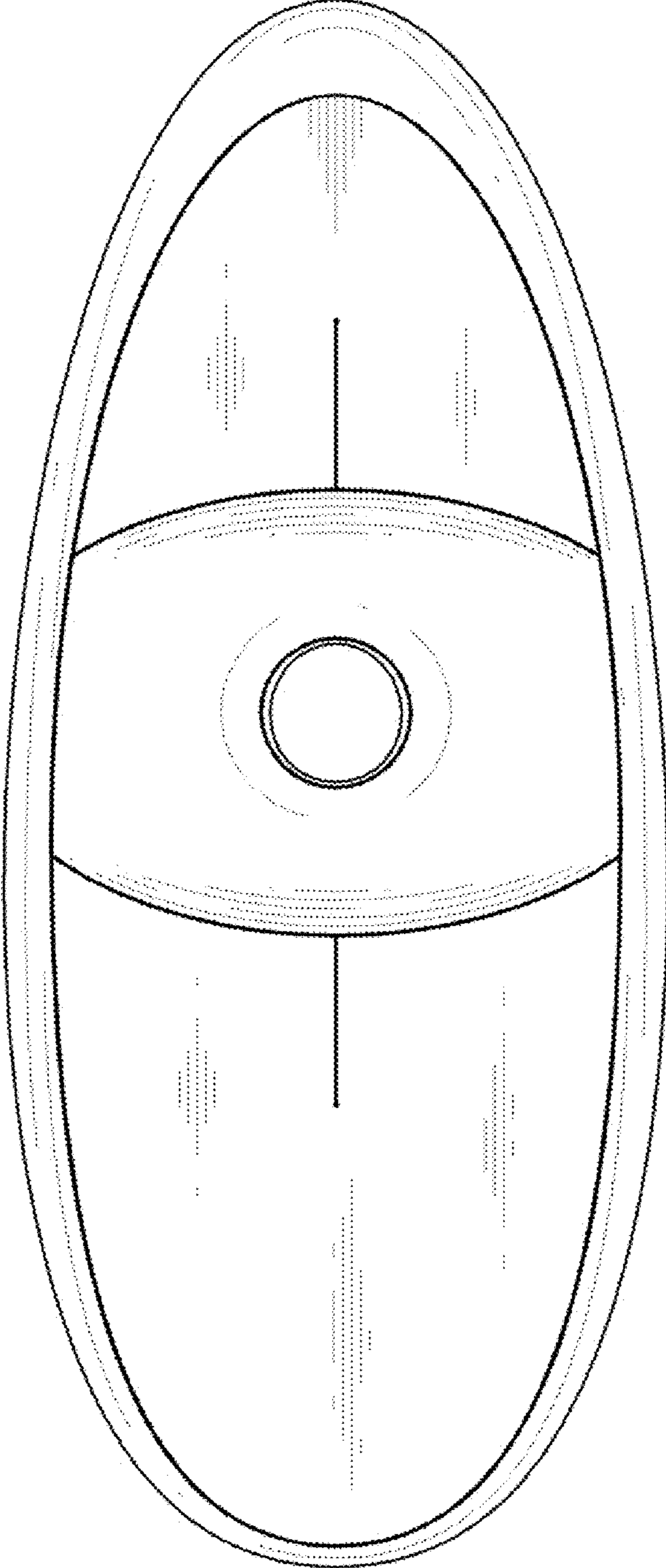
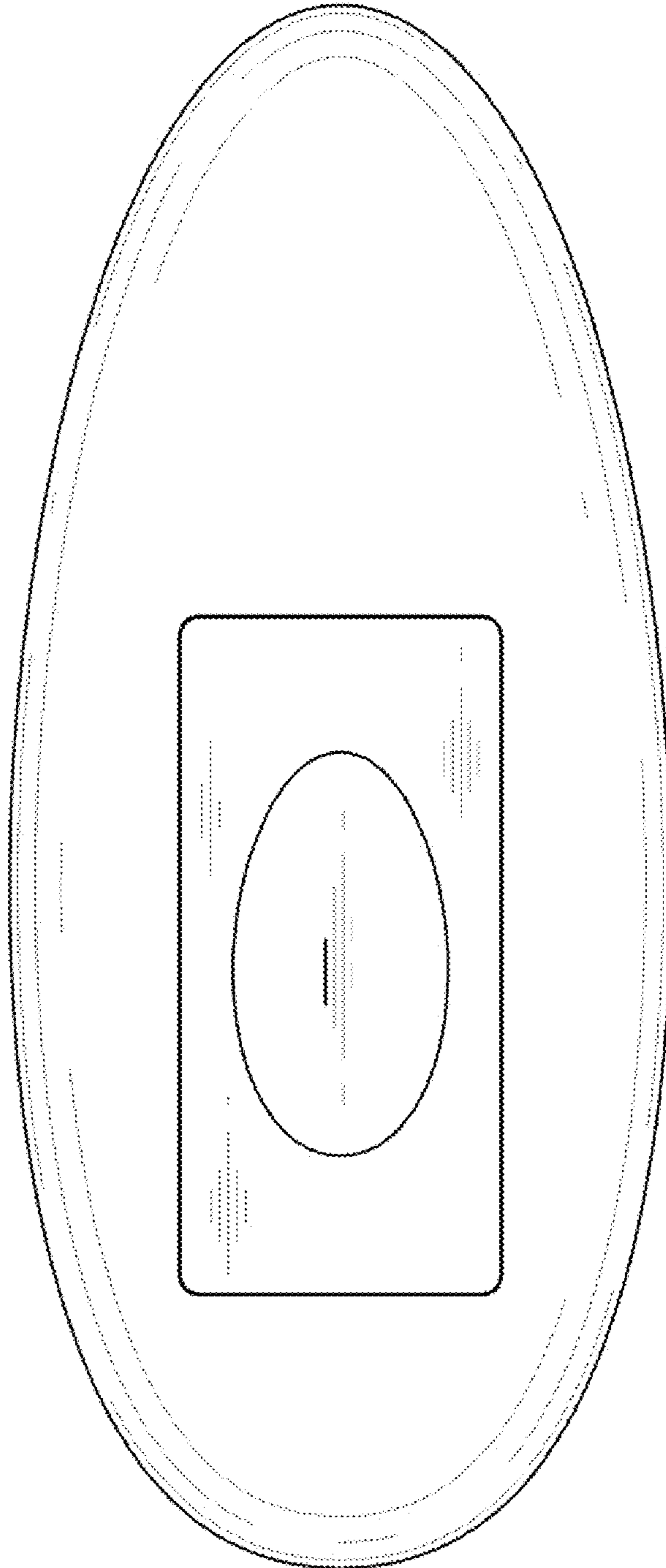


FIG. 2



# FIG. 3



# FIG. 4

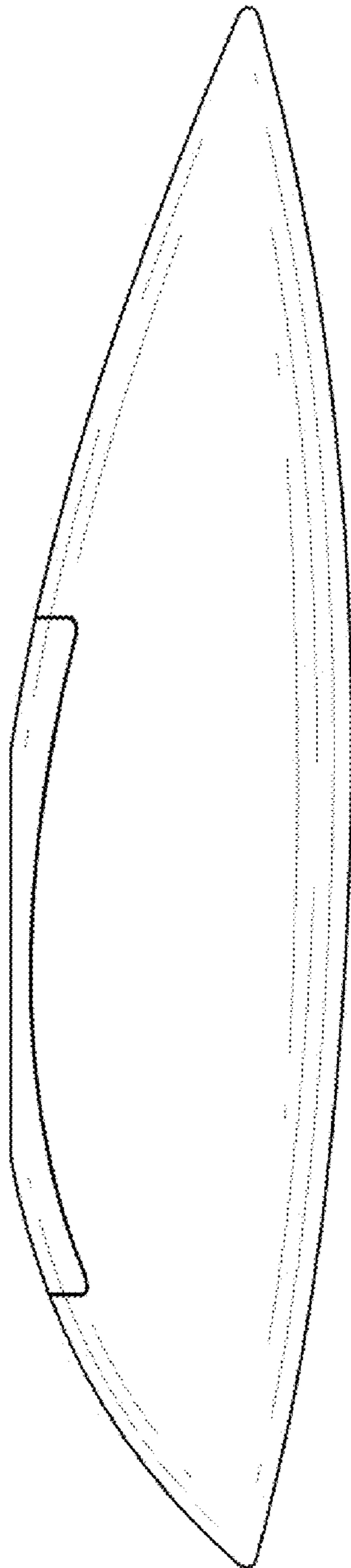


FIG. 5

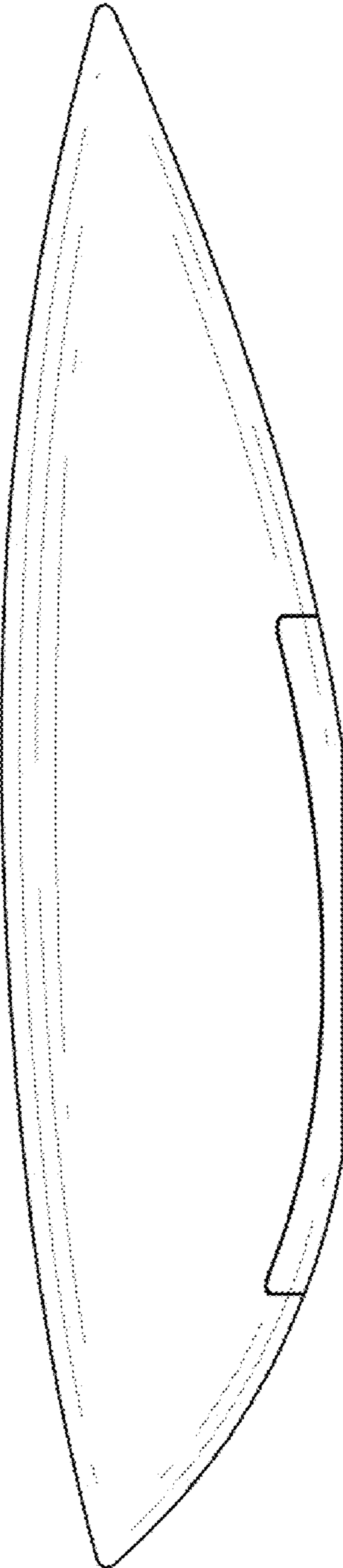


FIG. 6

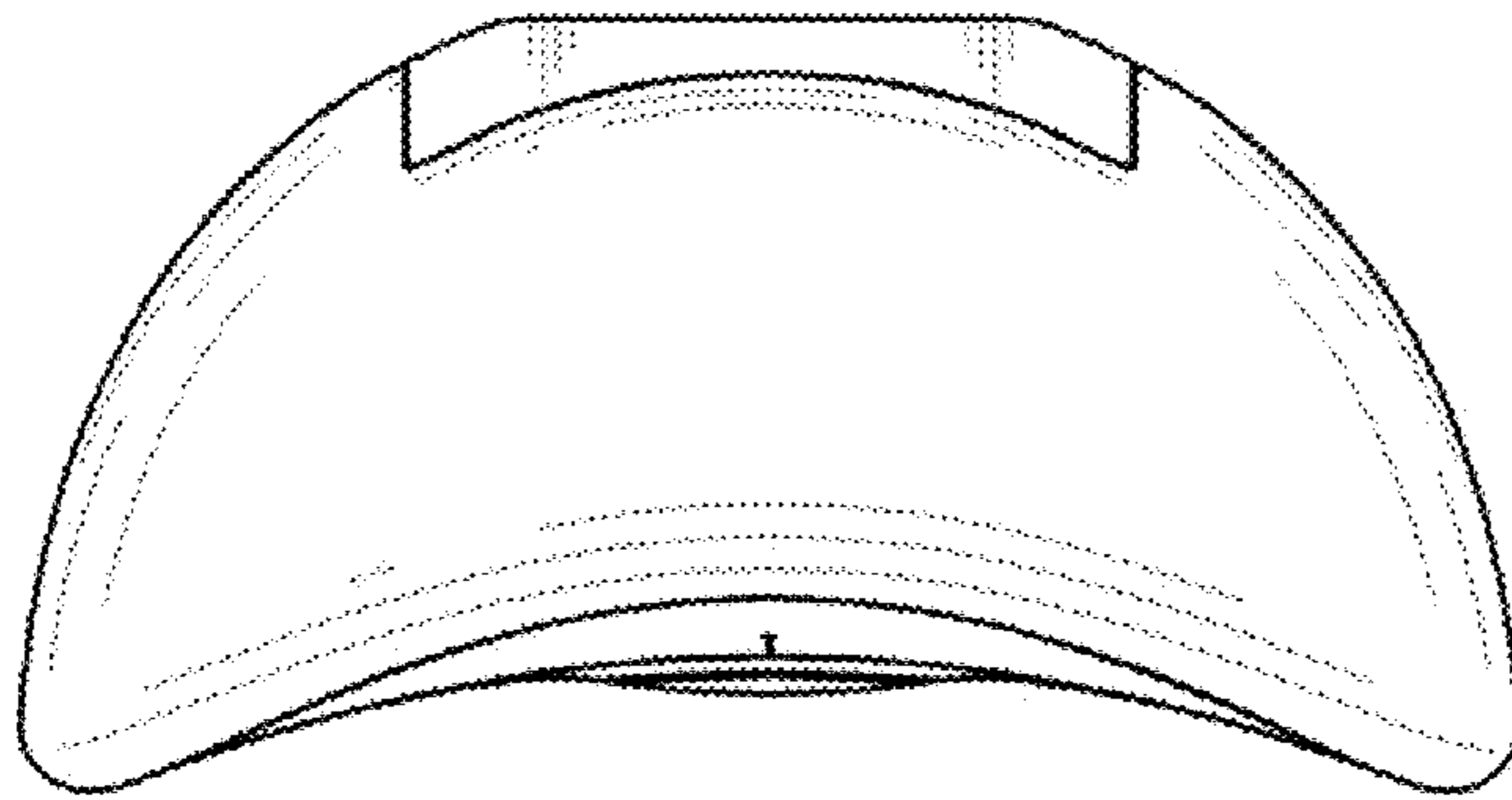


FIG. 7

