



US00D626533S

(12) **United States Design Patent**
Brown

(10) **Patent No.:** **US D626,533 S**

(45) **Date of Patent:** **** Nov. 2, 2010**

(54) **REMOTE IDENTIFIER**

(76) Inventor: **Daniel Brown**, 16004 Parklane,
Northville, MI (US) 48167

(**) Term: **14 Years**

(21) Appl. No.: **29/361,717**

(22) Filed: **May 13, 2010**

(51) **LOC (9) Cl.** **14-03**

(52) **U.S. Cl.** **D14/218**

(58) **Field of Classification Search** D14/218,
D14/455, 217, 238.1, 350, 203.4, 454; D13/168;
D21/566, 333; D10/104, 106; 345/169;
348/14.05, 114, 211.99, 734; 340/825.24;
341/22; 455/92, 95, 128, 151.1-151.4, 352,
455/355, FOR. 121; 700/65

See application file for complete search history.

(56) **References Cited**

U.S. PATENT DOCUMENTS

D294,827	S	*	3/1988	Woodfork	D14/250
5,409,107	A	*	4/1995	Browne	206/305
D447,487	S	*	9/2001	McFarlane et al.	D14/454
7,630,745	B2	*	12/2009	Chen et al.	455/575.8
D611,938	S	*	3/2010	Barbieri	D14/250
D618,288	S	*	6/2010	Kay et al.	D21/333

* cited by examiner

Primary Examiner—Cathron C Brooks

Assistant Examiner—John Windmuller

(74) *Attorney, Agent, or Firm*—Carlson Gaskey & Olds PC

(57) **CLAIM**

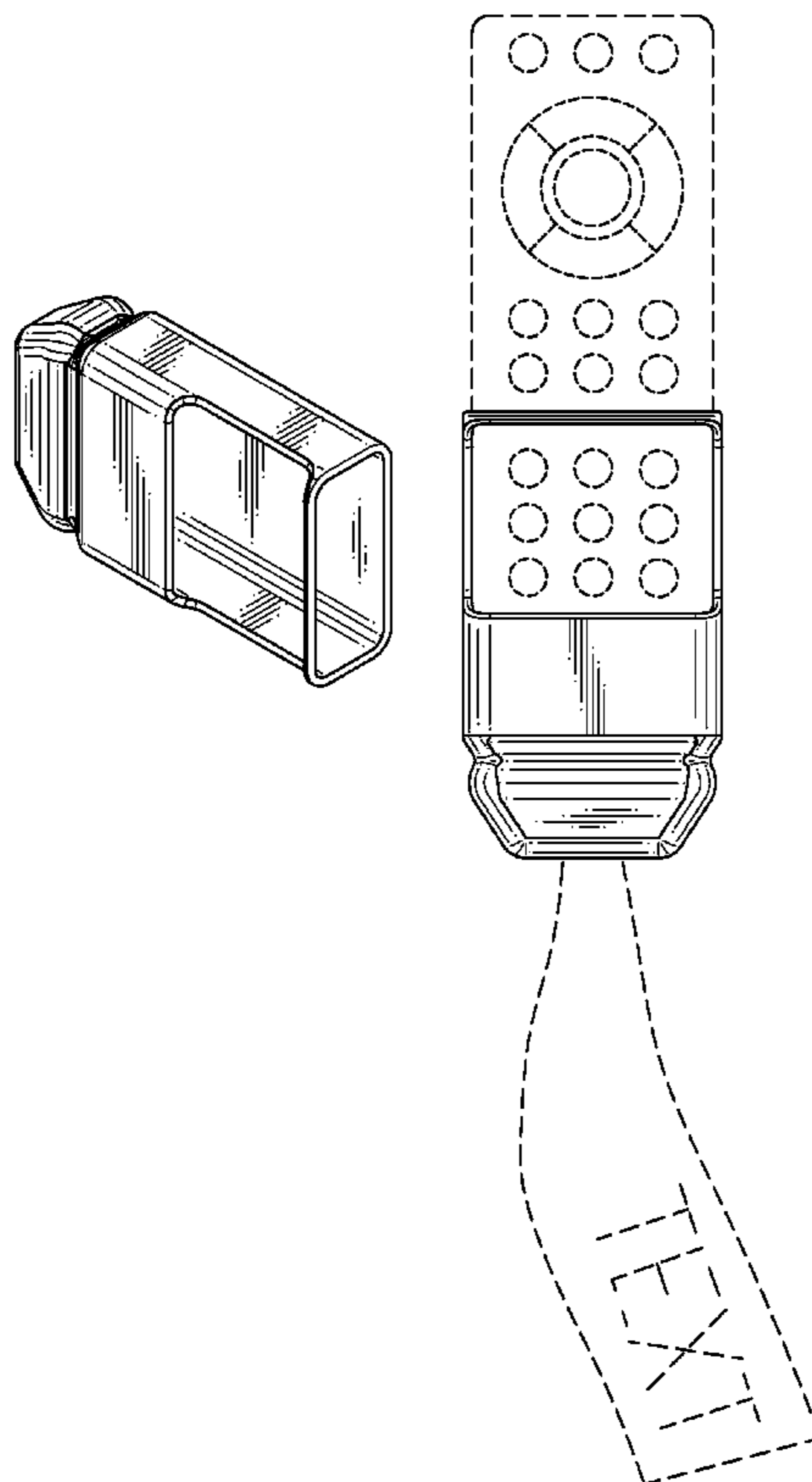
I claim the ornamental design for the remote identifier, as shown and described.

DESCRIPTION

FIG. 1 is a perspective view of the remote identifier;
FIG. 2 is a perspective view of the remote identifier;
FIG. 3 is a front end view of the remote identifier;
FIG. 4 is a top view of the remote identifier;
FIG. 5 is a bottom view of the remote identifier;
FIG. 6 is a rear end view of the remote identifier;
FIG. 7 is a side view of the remote identifier;
FIG. 8 is a side view of the remote identifier; and,
FIG. 9 is a top view of the remote identifier in use with a remote and an identifier flag.

The broken lines in FIG. 9 depict environment only and form no part of the claimed design.

1 Claim, 2 Drawing Sheets



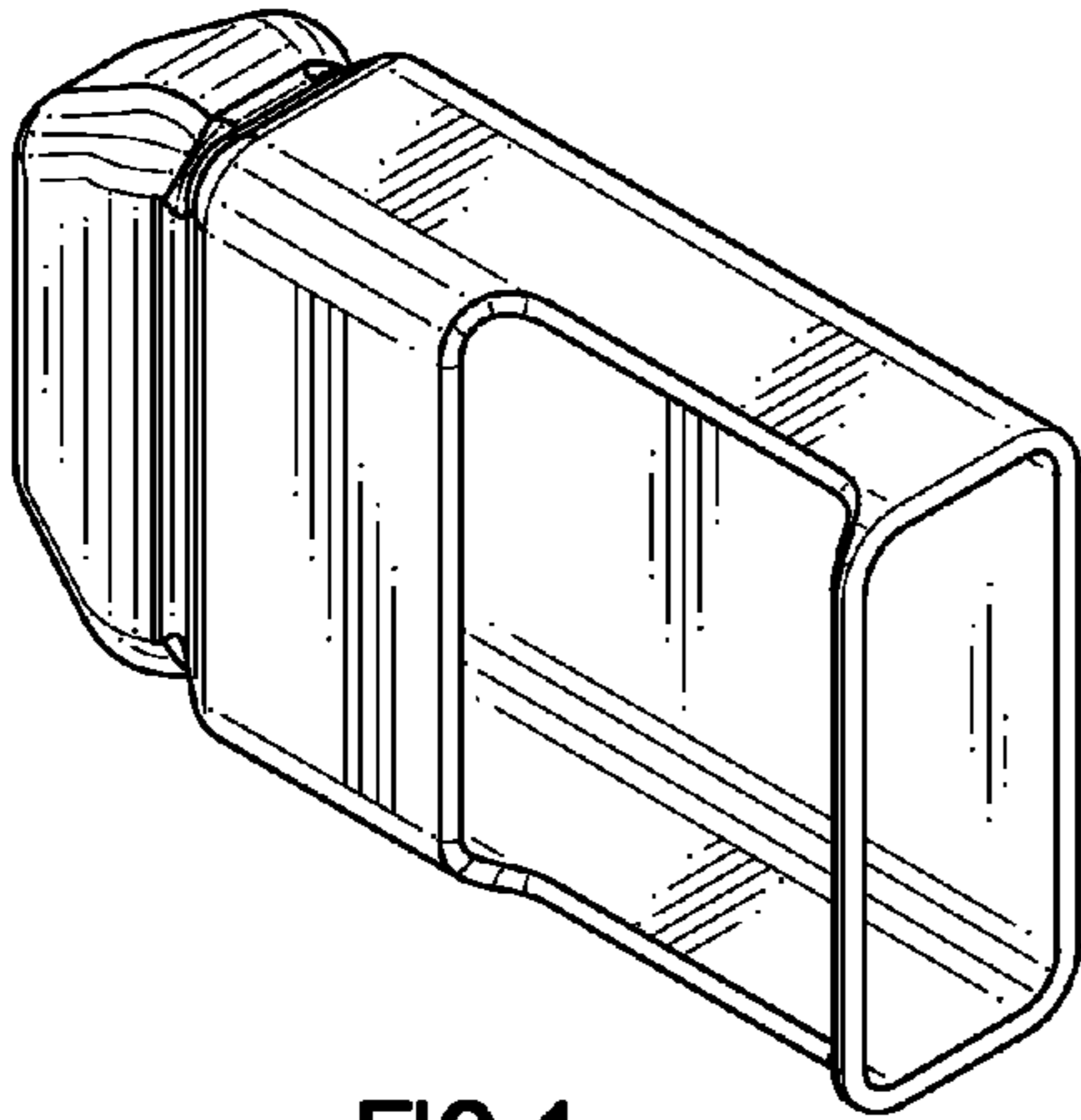


FIG.1

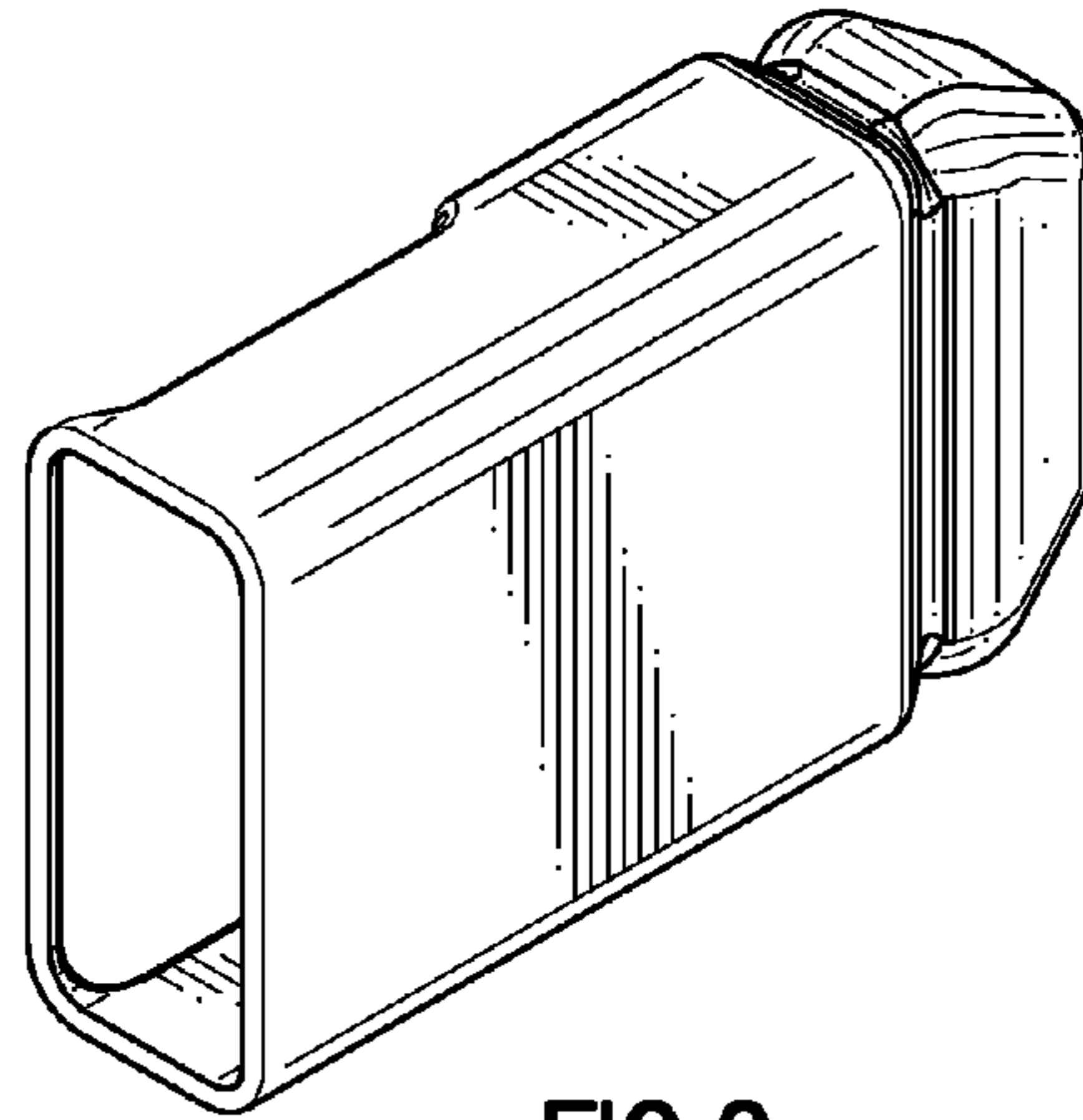


FIG.2

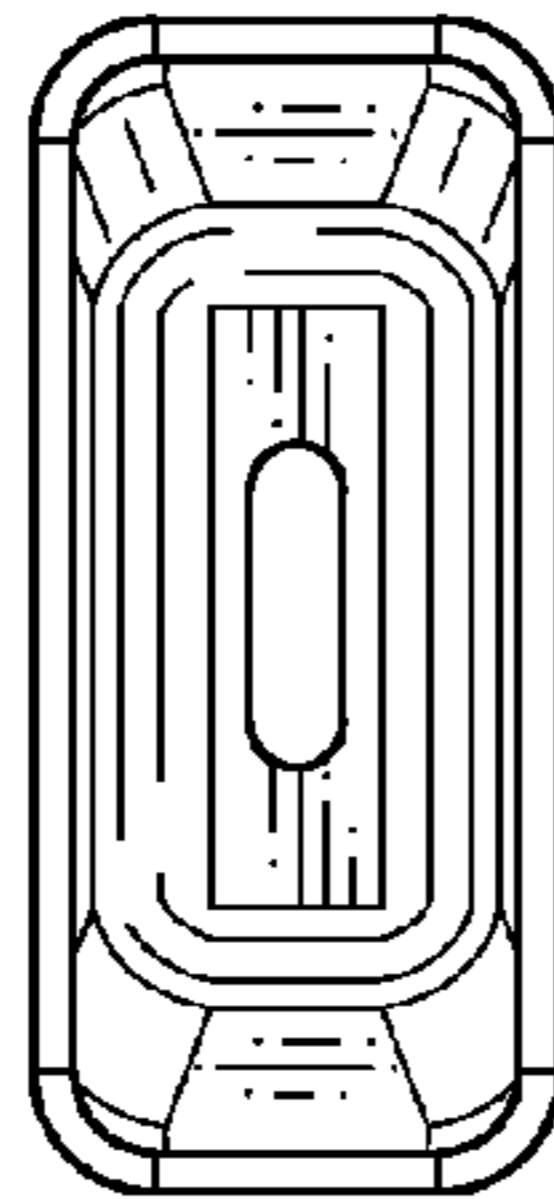


FIG.3

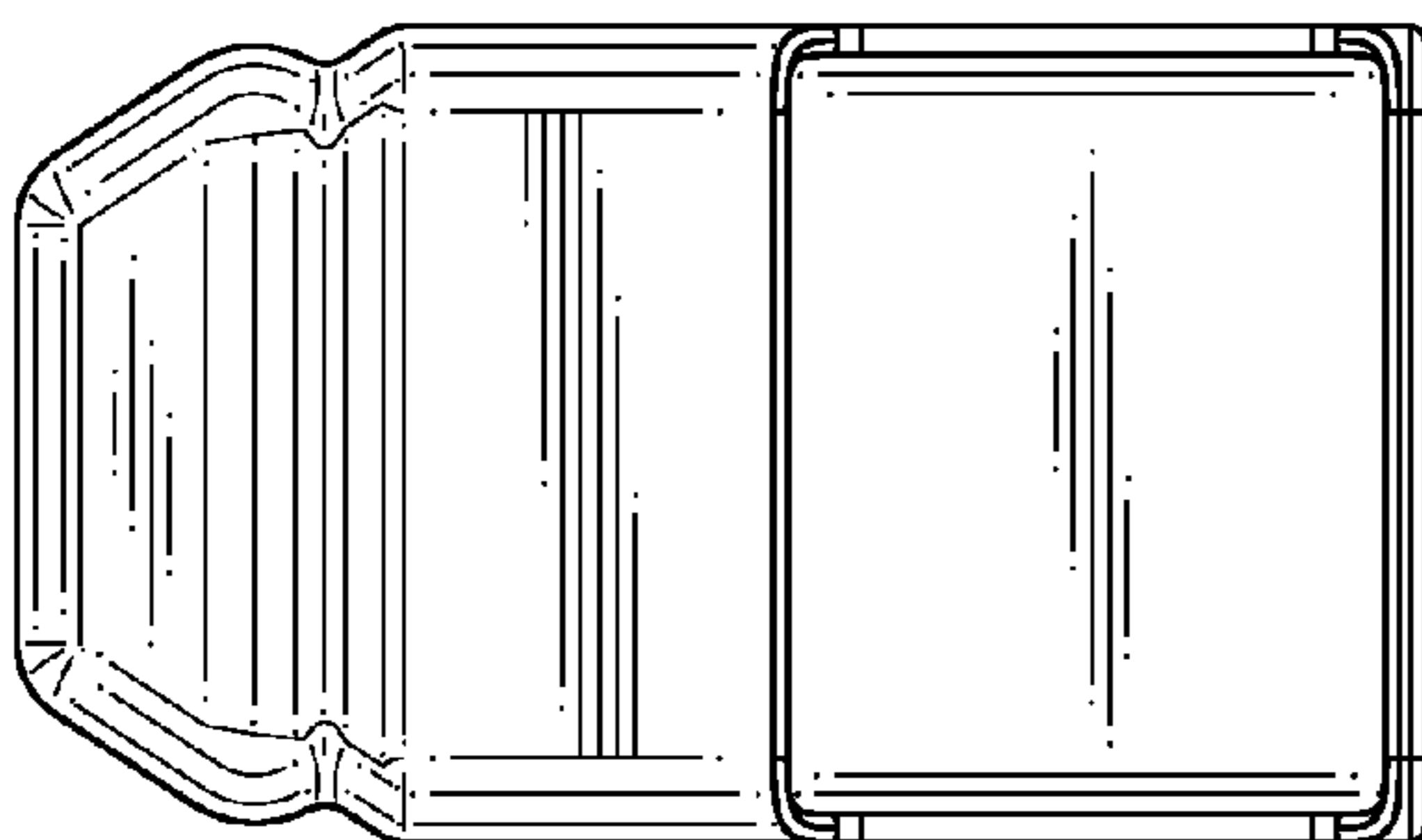


FIG.4

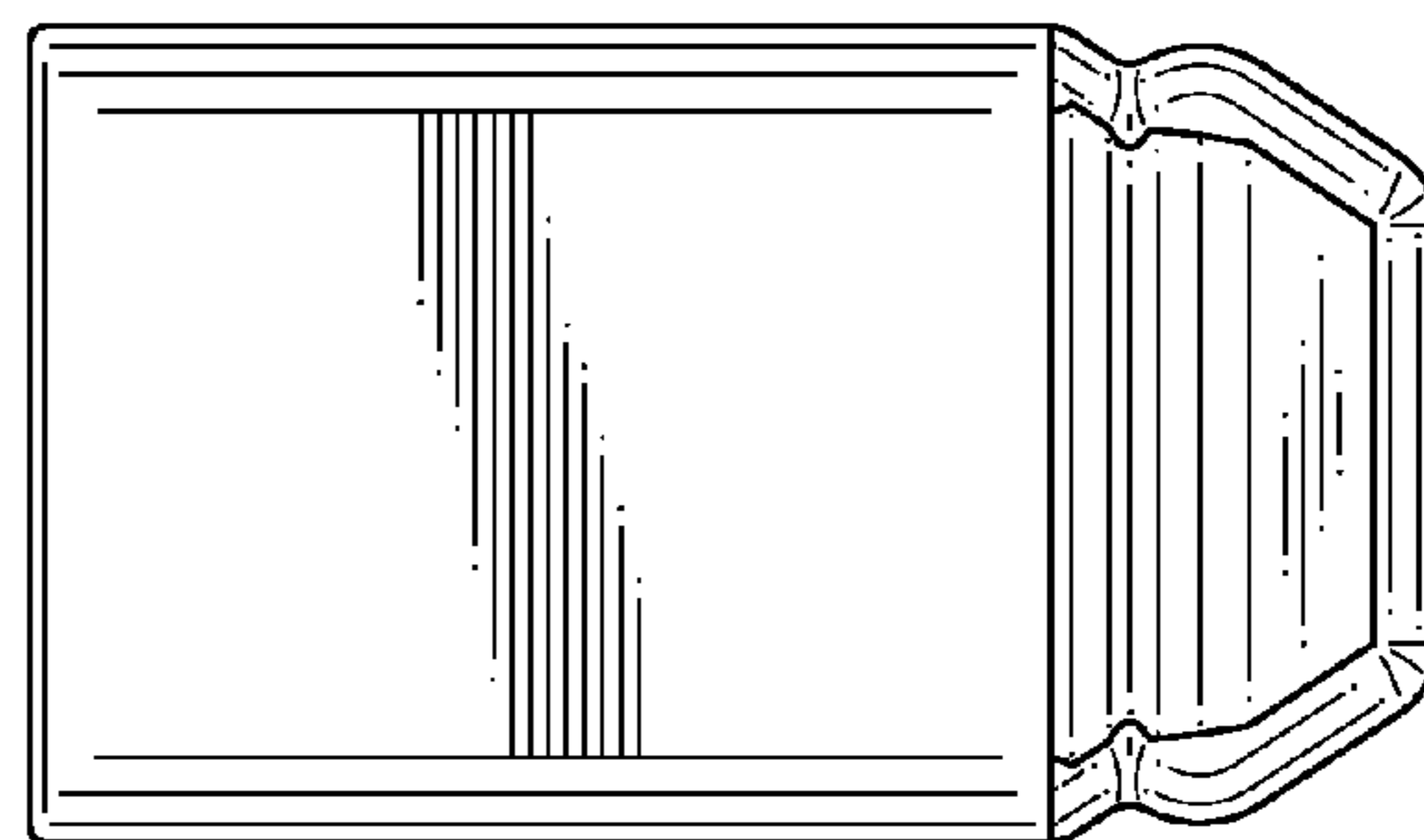


FIG.5

FIG.6

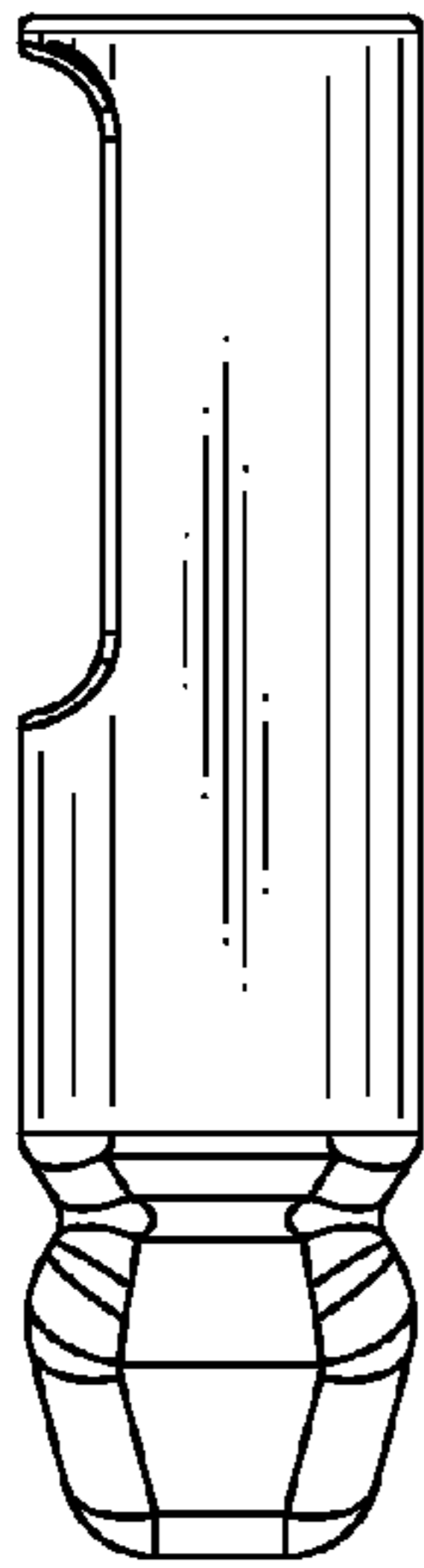
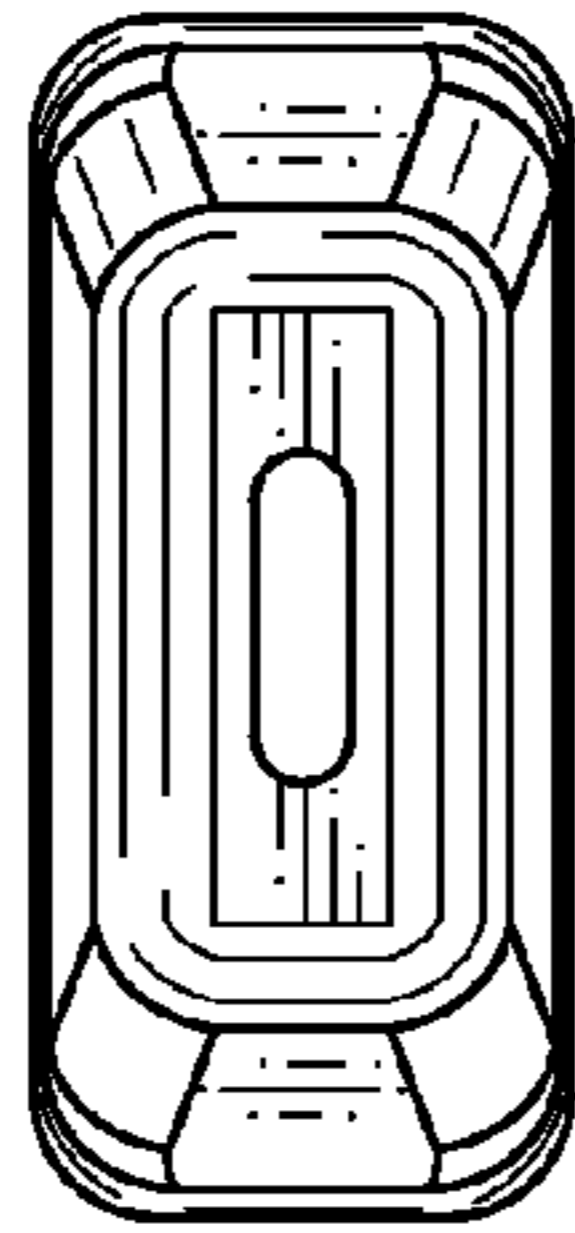


FIG.7

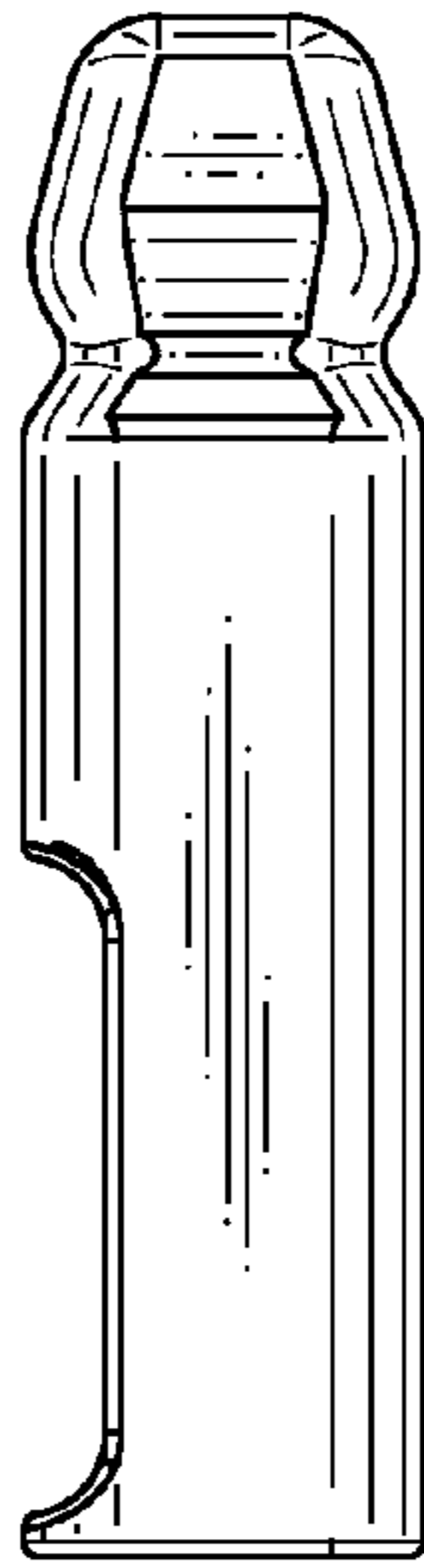


FIG.8

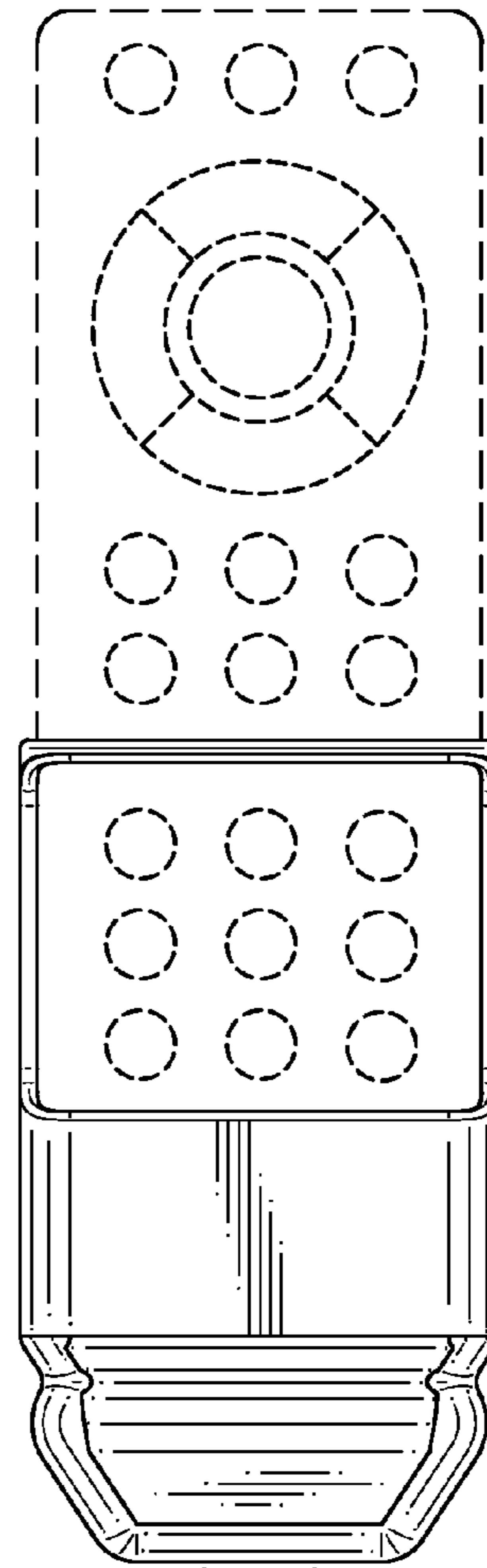


FIG.9

