



US00D626531S

(12) **United States Design Patent**
Farmer et al.

(10) **Patent No.:** **US D626,531 S**

(45) **Date of Patent:** **** *Nov. 2, 2010**

(54) **REMOTE CONTROL**

(75) Inventors: **Michael S. Farmer**, Plano, TX (US);
Michael Zalta, Richardson, TX (US);
Jon Dukerschein, Addison, TX (US);
Albert M. Forlenza, San Diego, CA
(US); **Vincent W. Ellis**, Plano, TX (US);
Rashid Skaf, Plano, TX (US); **Ronald**
W Barber, Plano, TX (US); **Jose S**
Vasquez, Plano, TX (US); **Kenneth**
Scott Carpenter, Rowlett, TX (US)

(73) Assignee: **AMX LLC**, Richardson, TX (US)

(*) Notice: This patent is subject to a terminal disclaimer.

(**) Term: **14 Years**

(21) Appl. No.: **29/265,666**

(22) Filed: **Sep. 6, 2006**

(51) **LOC (9) Cl.** **14-03**

(52) **U.S. Cl.** **D14/218**

(58) **Field of Classification Search** D14/174,
D14/137-139, 151, 217, 218, 191-193, 167,
D14/299, 168, 247, 455, 456; D13/168,
D13/162-164; D21/512-517, 566; D10/104,
D10/106; 345/169; 348/114, 734; 455/352-355,
455/151.1-151.4, 128, 347, 90.3

See application file for complete search history.

(56) **References Cited**

U.S. PATENT DOCUMENTS

D515,041 S * 2/2006 Yun et al. D13/168
D520,495 S * 5/2006 Dukerschein et al. D14/218
D531,964 S * 11/2006 Peh D13/168
D534,900 S * 1/2007 Weitgasser et al. D14/218

D543,196 S * 5/2007 Krzyzanowski et al. D14/218
D551,659 S * 9/2007 Shih et al. D14/218
D552,600 S * 10/2007 Oota D14/218
D555,107 S * 11/2007 Choi et al. D13/168
D559,202 S * 1/2008 Sim et al. D13/168
D559,231 S * 1/2008 Krzyzanowski et al. D14/218
D568,298 S * 5/2008 Lundgren et al. D14/218
D572,207 S * 7/2008 Chen D13/168
D584,718 S * 1/2009 Moller et al. D14/218
D587,689 S * 3/2009 Hwang et al. D14/218
D591,731 S * 5/2009 Lee et al. D14/218
D594,850 S * 6/2009 Yan D14/218
D607,846 S * 1/2010 Daniels D13/168
D609,222 S * 2/2010 Shin D14/218
D614,607 S * 4/2010 Kamegi D14/218
2003/0095048 A1 * 5/2003 Choi et al. 340/825.69

* cited by examiner

Primary Examiner—T. Chase Nelson
Assistant Examiner—John Windmuller

(57) **CLAIM**

The ornamental design for a remote control, as shown and described.

DESCRIPTION

FIG. 1 is a perspective view of a remote control showing our new design;

FIG. 2 is a front elevational view thereof;

FIG. 3 is a rear elevational view thereof;

FIG. 4 is a first side elevational view thereof;

FIG. 5 is a second side elevational view thereof;

FIG. 6 is a bottom view thereof; and,

FIG. 7 is a top view thereof.

The AMX logo is a registered trademark of AMX.

1 Claim, 7 Drawing Sheets

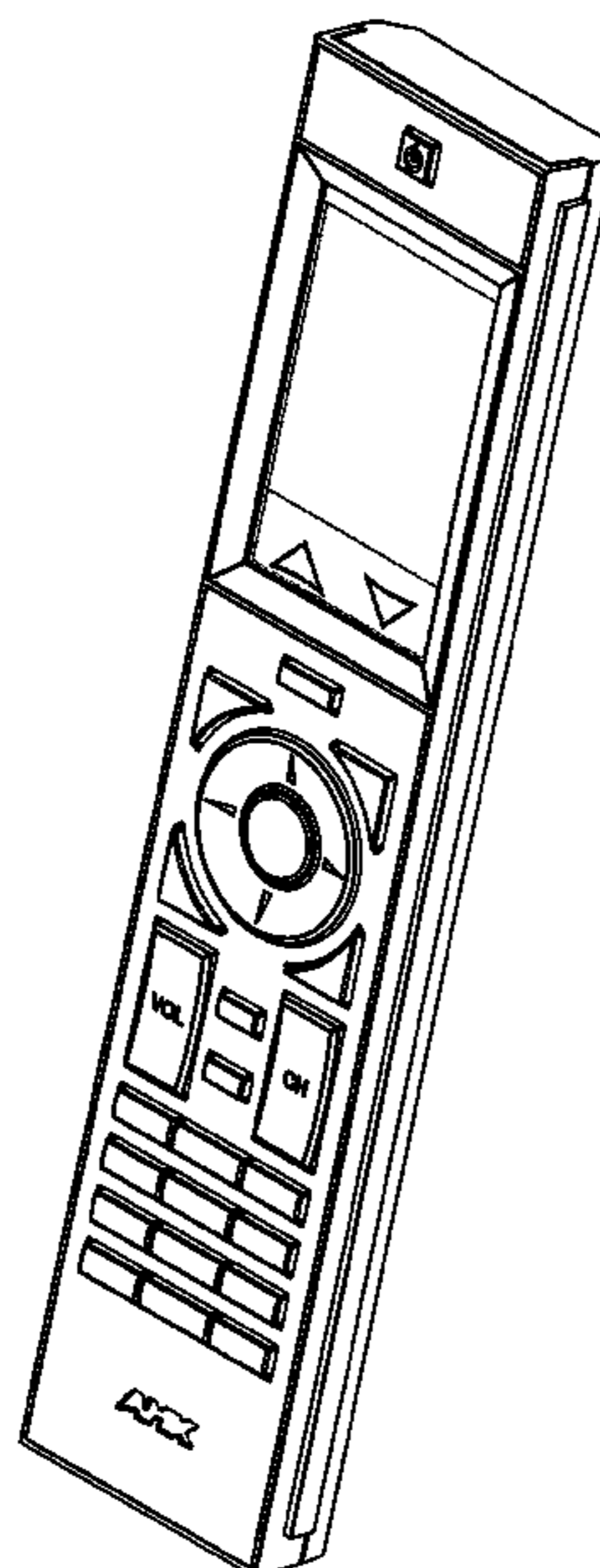


FIG. 1

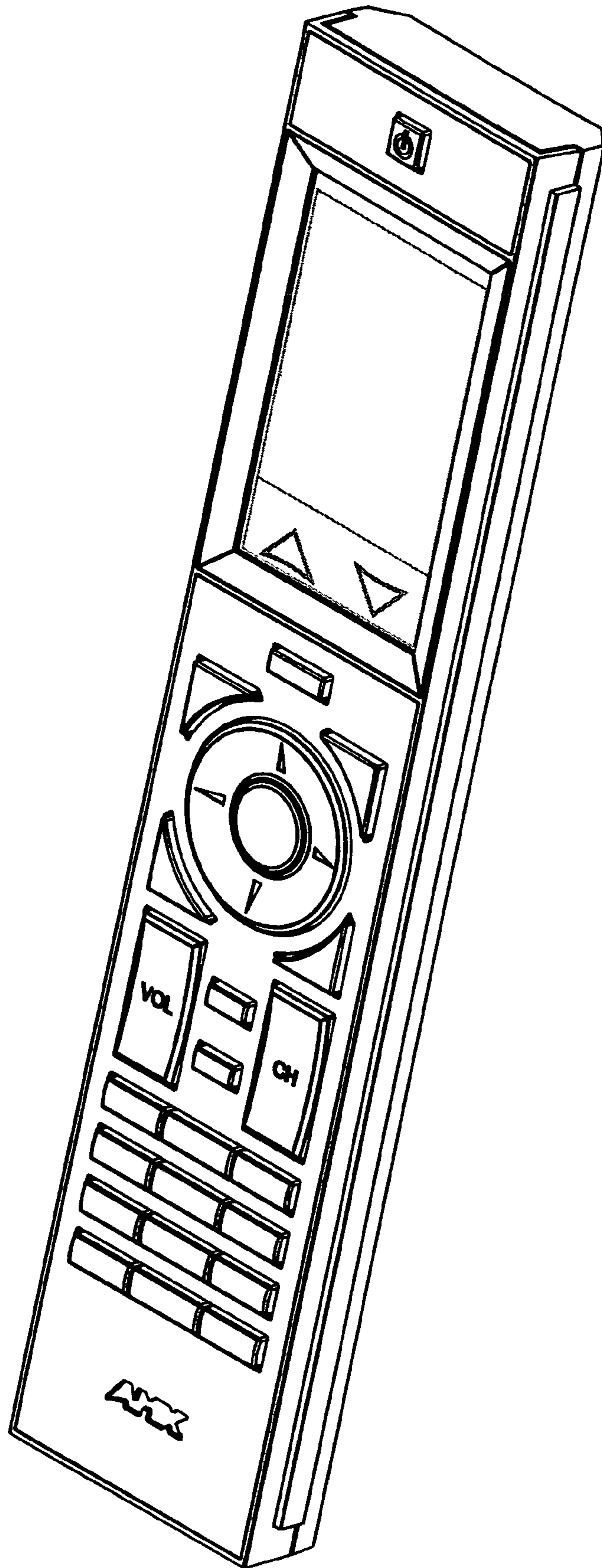
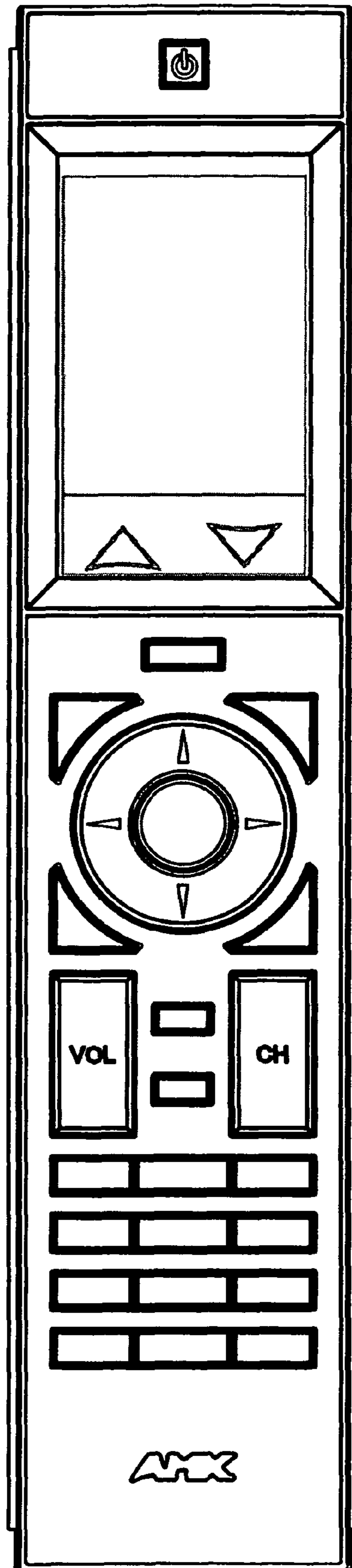


FIG. 2



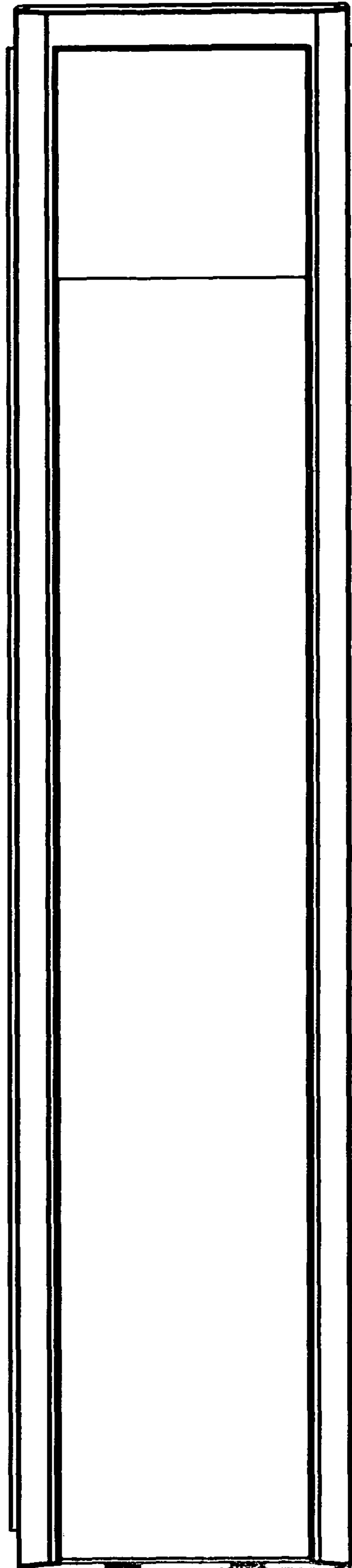
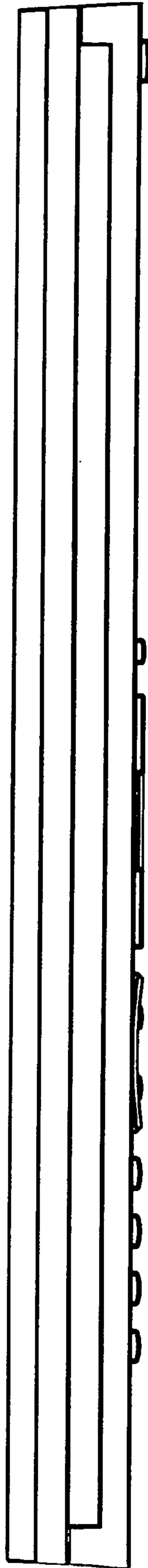


FIG. 3

FIG. 4



FIG. 5



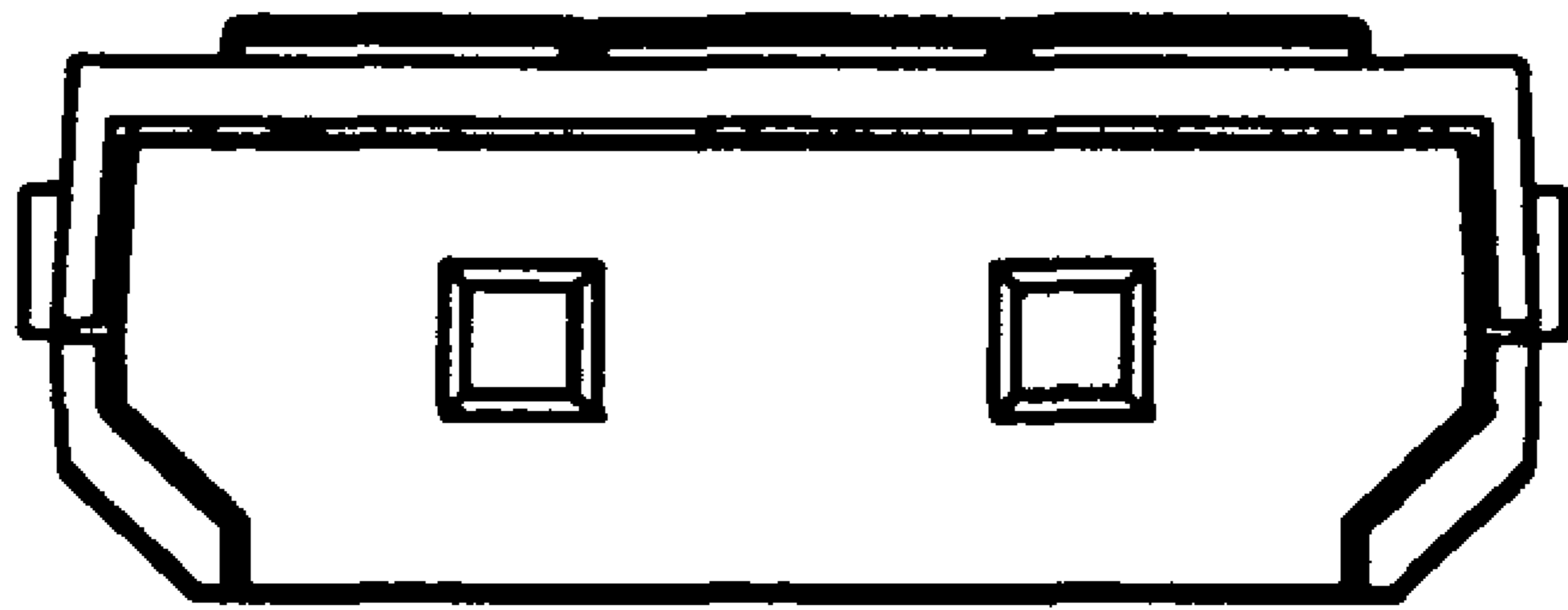


FIG. 6

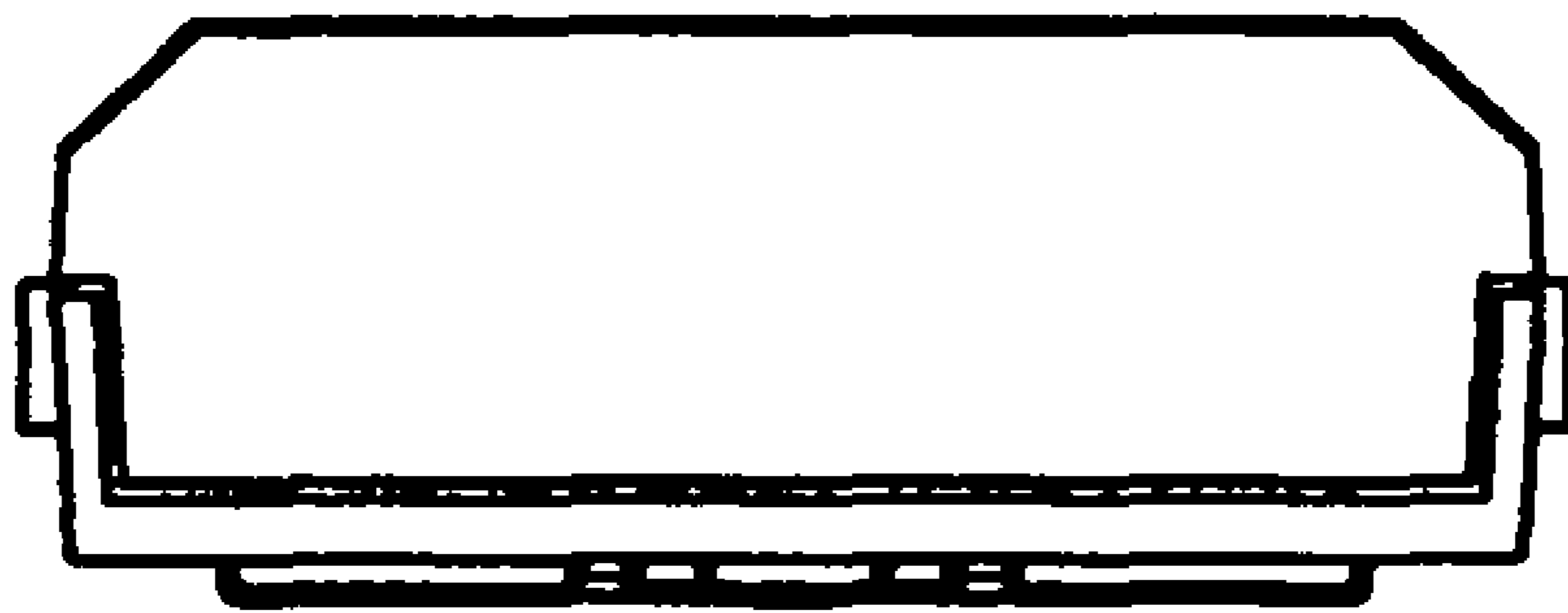


FIG. 7