



US00D626529S

(12) **United States Design Patent**
Lam

(10) **Patent No.:** **US D626,529 S**

(45) **Date of Patent:** **** Nov. 2, 2010**

(54) **DISC PLAYER**

(75) Inventor: **Ching Bo Lam**, New Territories (CN)

(73) Assignee: **Alco Electronics Limited**, Quarry Bay,
Hong Kong SAR (CN)

(**) Term: **14 Years**

(21) Appl. No.: **29/316,608**

(22) Filed: **Oct. 14, 2009**

(30) **Foreign Application Priority Data**

Apr. 27, 2009 (HK) 0900679

(51) **LOC (9) Cl.** **14-01**

(52) **U.S. Cl.** **D14/168; D14/501**

(58) **Field of Classification Search** D14/496,
D14/498-511, 162, 168, 171, 188, 197-198;
360/99.02, 99.07; 369/75.11, 75.21, 77.11,
369/77.21; 720/601, 612, 619, 649, 655;
455/344, 347-351

See application file for complete search history.

(56) **References Cited**

U.S. PATENT DOCUMENTS

D468,716 S * 1/2003 Cuvelier D14/168

D469,078 S * 1/2003 Cuvelier D14/168

D483,345 S * 12/2003 Murakami D14/168

D483,736 S * 12/2003 Tanaka D14/168

D547,745 S * 7/2007 Cheung D14/168

* cited by examiner

Primary Examiner—Nanda Bondade

(74) *Attorney, Agent, or Firm*—Alix, Yale & Ristas, LLP

(57) **CLAIM**

The ornamental design for a disc player, as shown and described.

DESCRIPTION

FIG. 1 is a front, right side and top perspective view of a disc player showing my new design;

FIG. 2 is a front elevational view thereof;

FIG. 3 is a rear elevational view thereof;

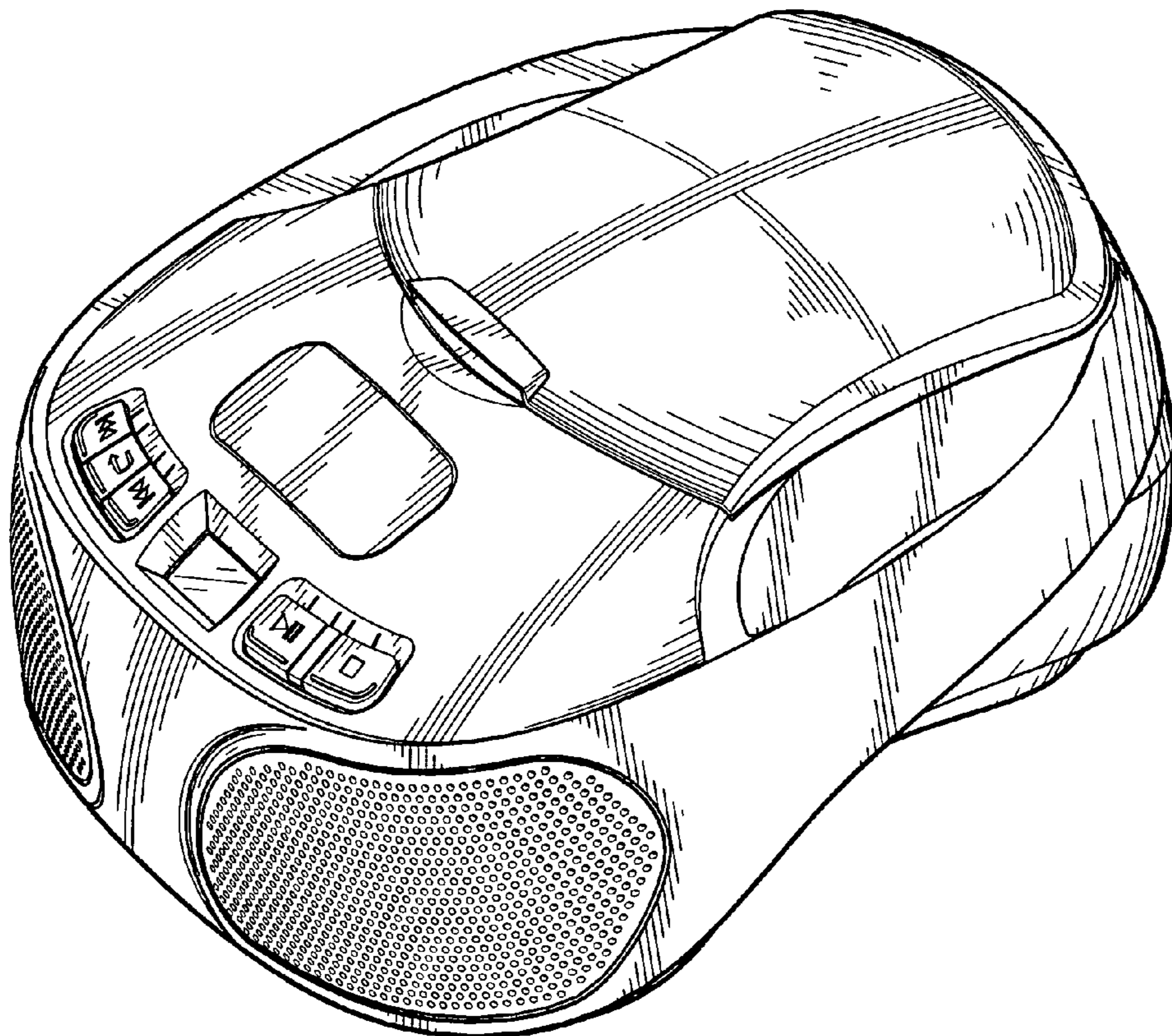
FIG. 4 is a right side elevational view thereof;

FIG. 5 is a left side elevational view thereof;

FIG. 6 is a top plan view thereof; and,

FIG. 7 is a bottom plan view thereof.

1 Claim, 5 Drawing Sheets



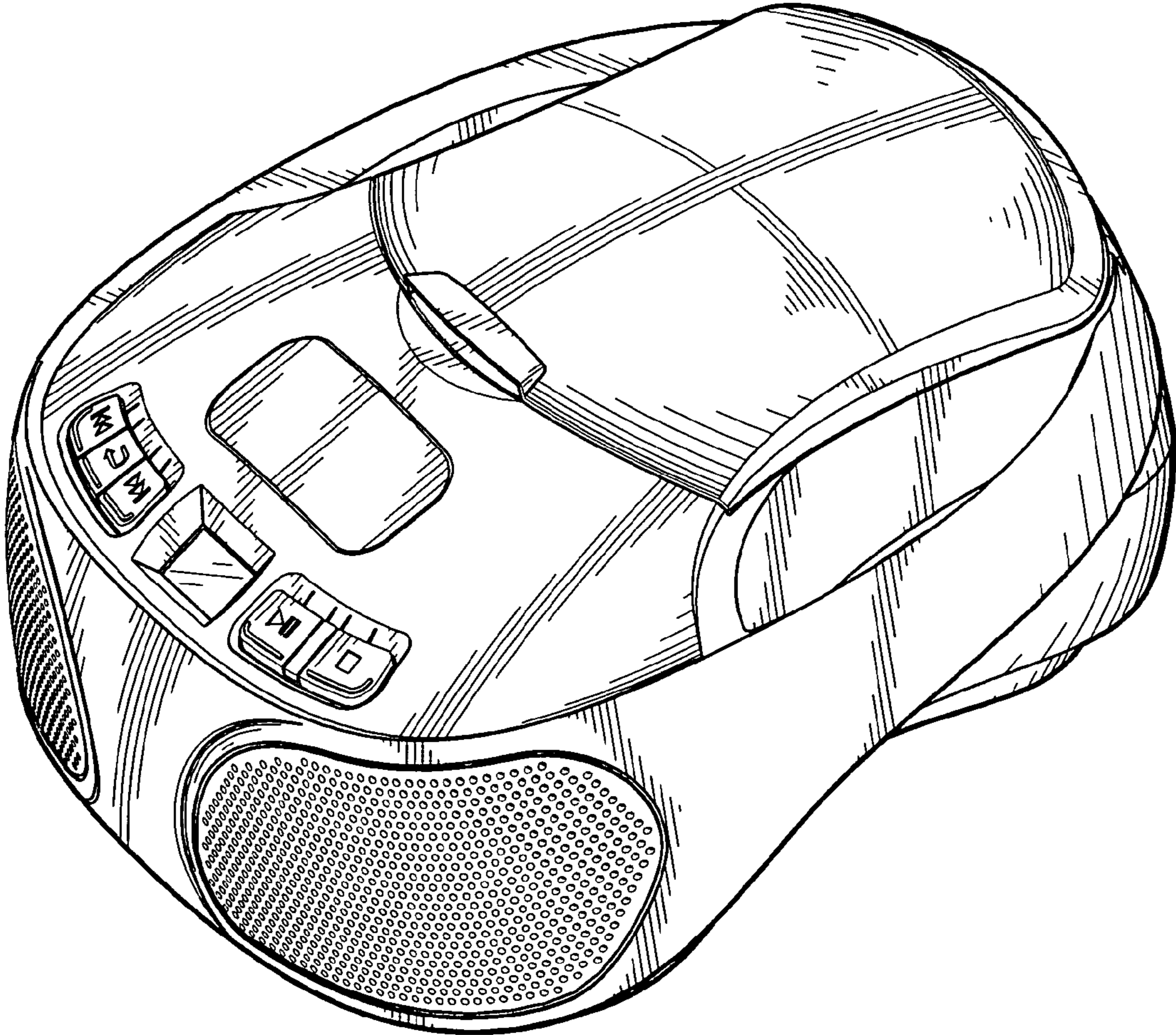


FIG.1

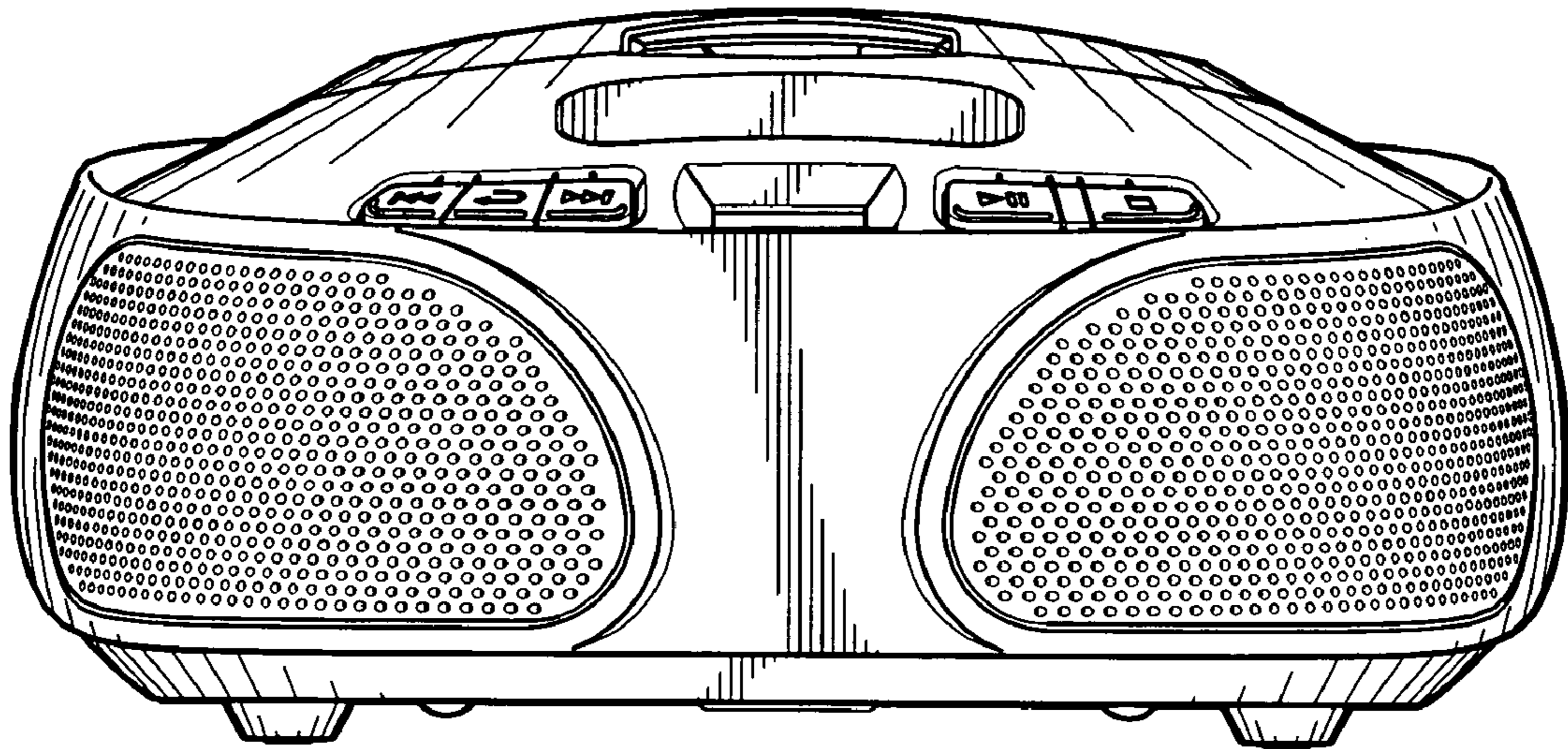


FIG. 2

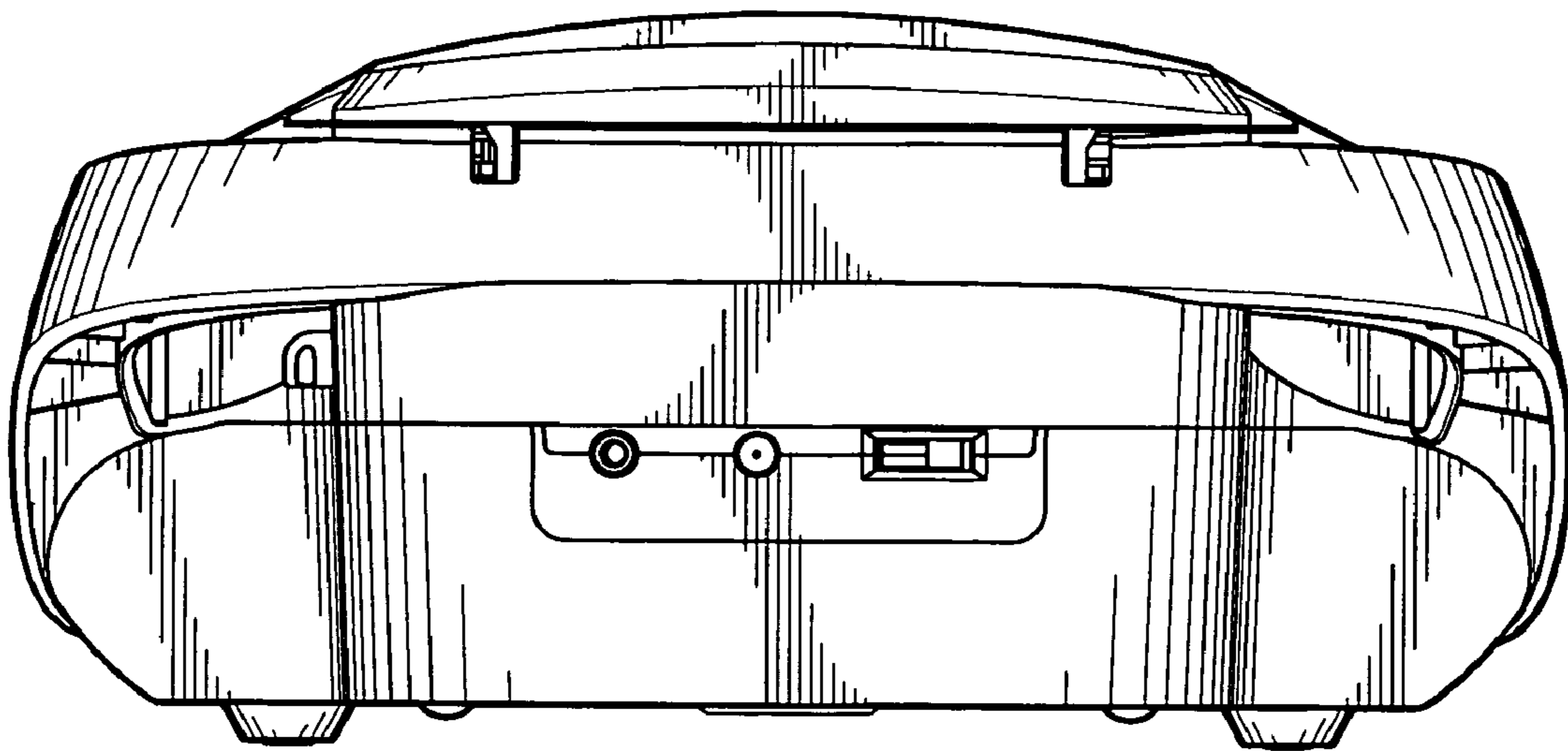


FIG. 3

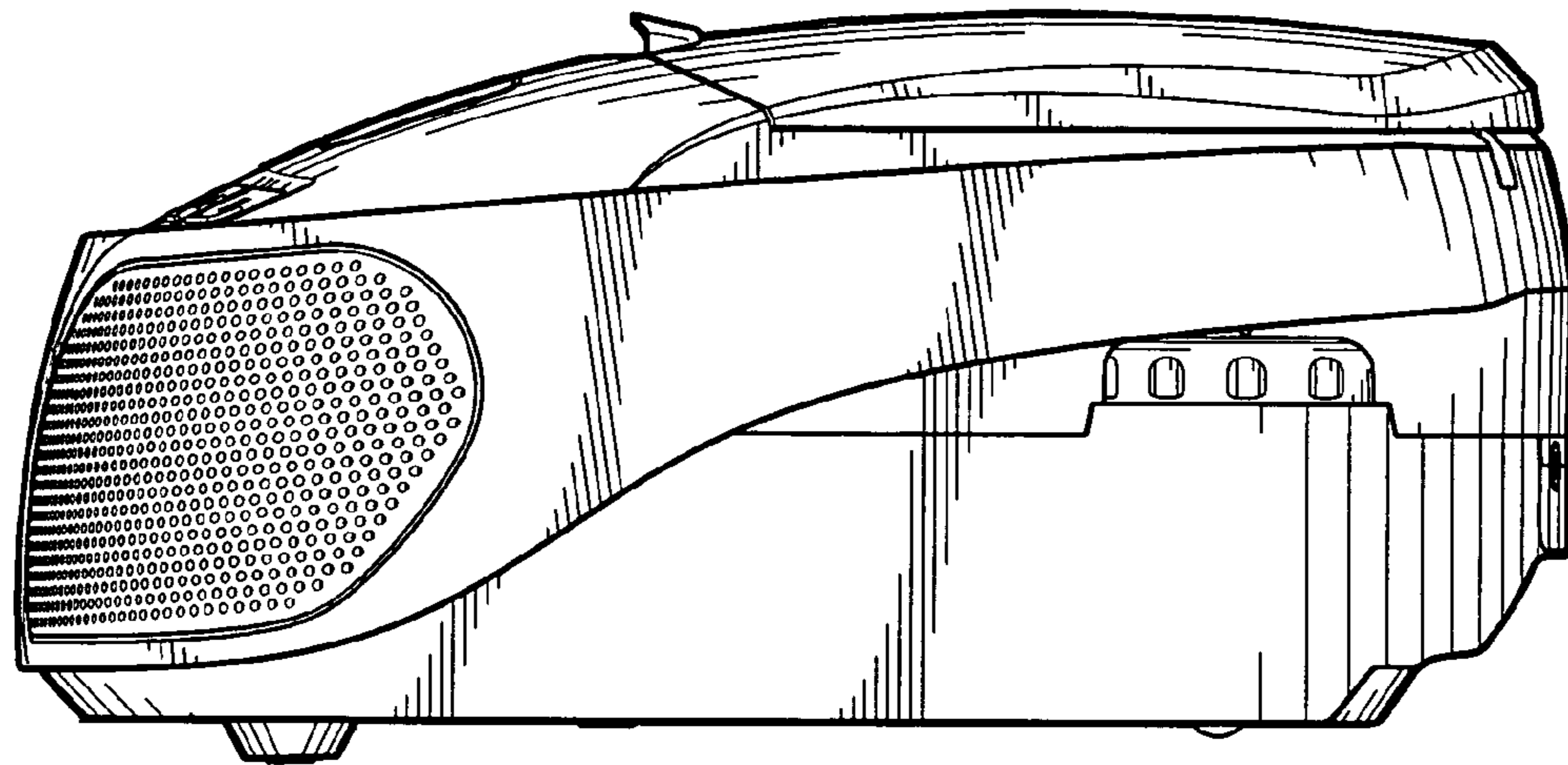


FIG. 4

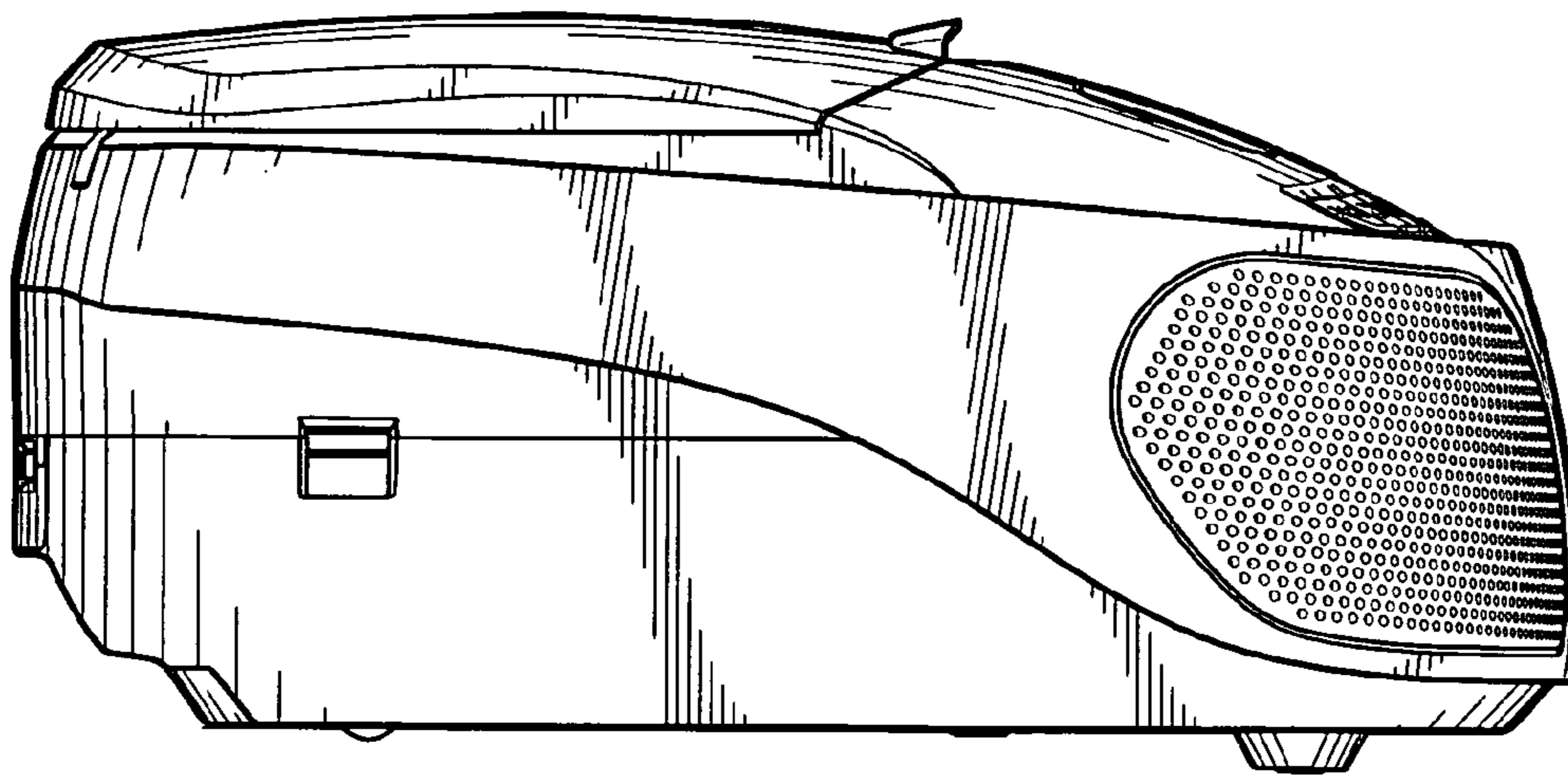


FIG. 5

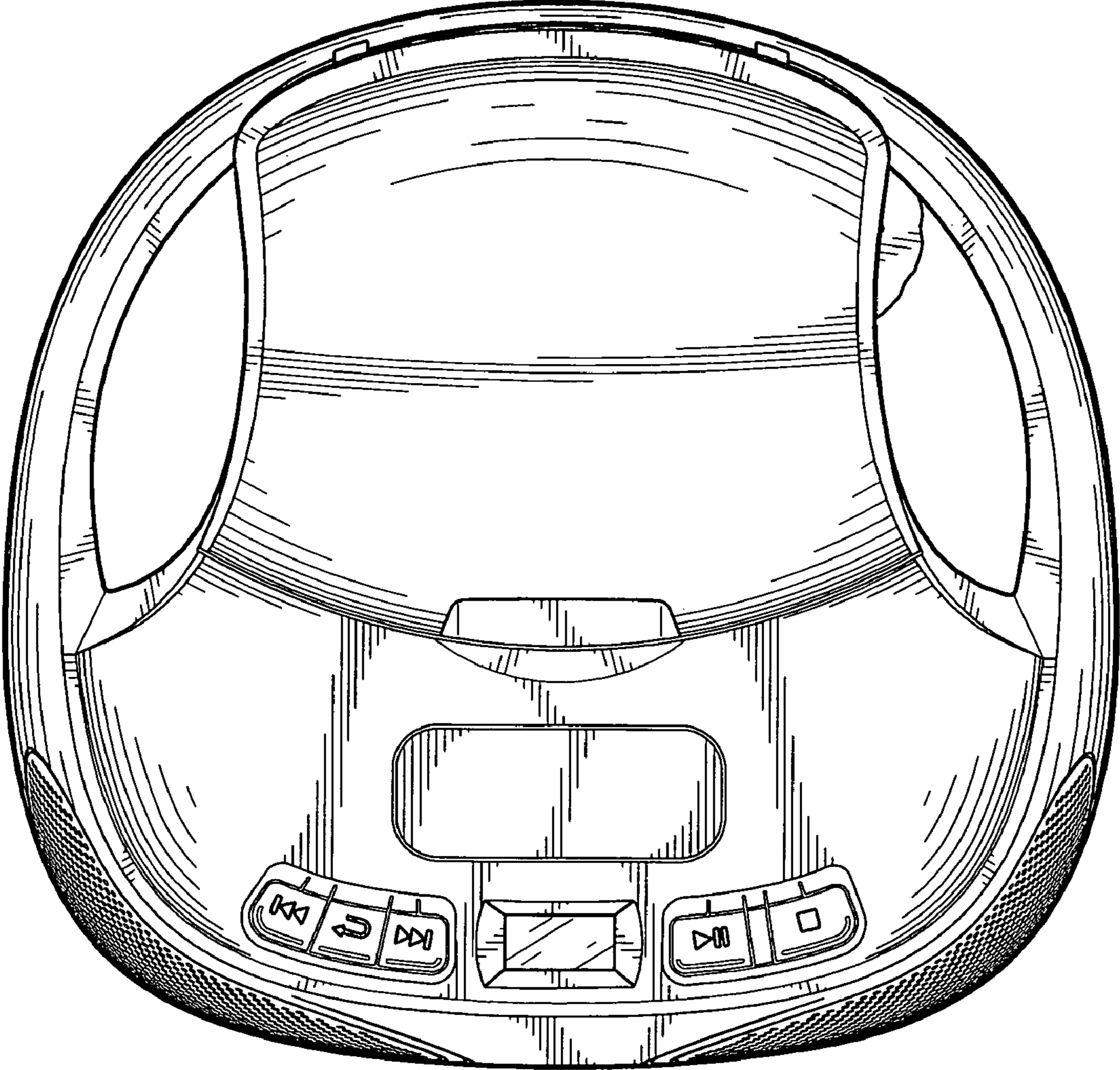


FIG.6

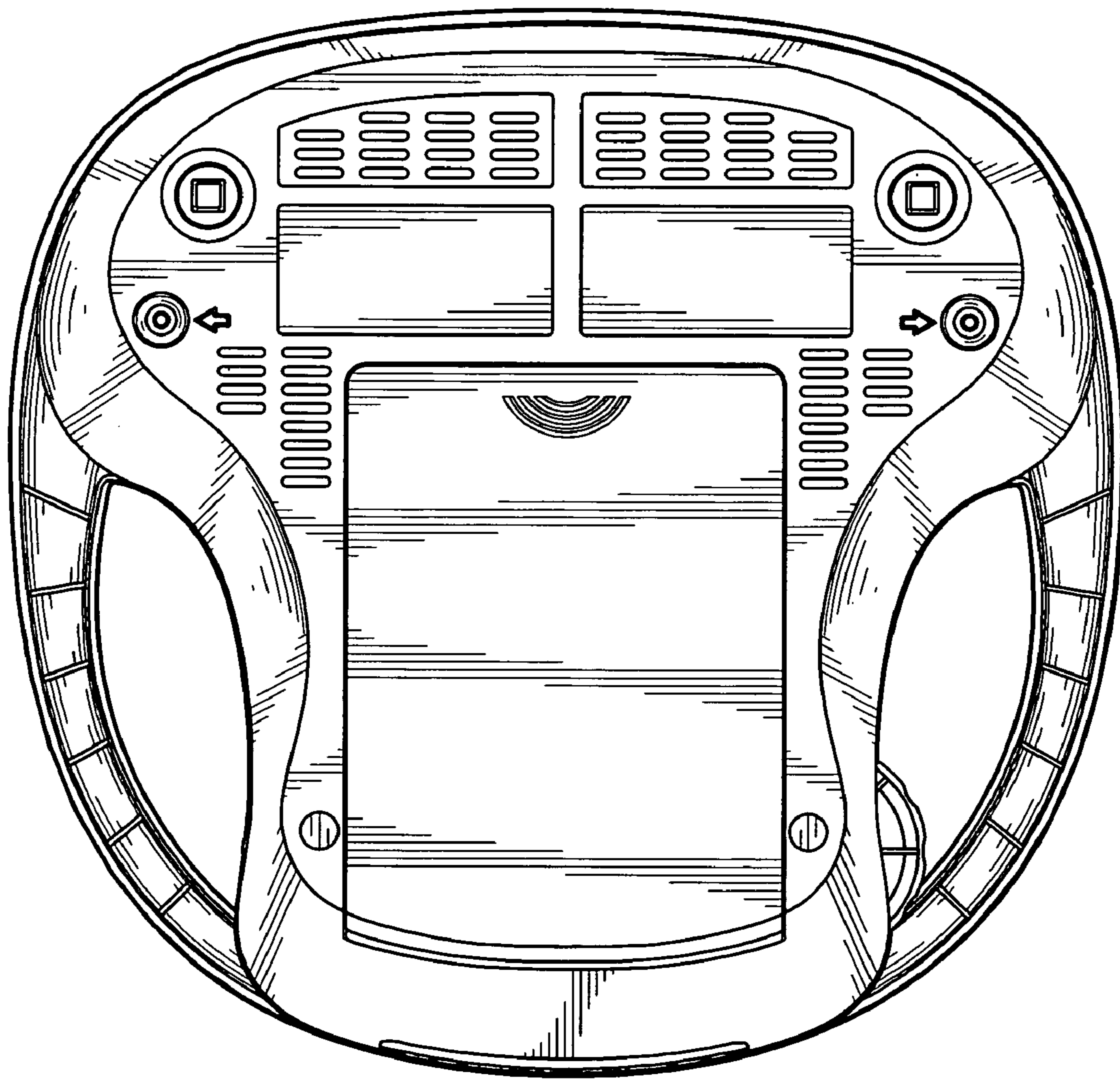


FIG.7