



US00D626525S

(12) **United States Design Patent**
Kim et al.

(10) **Patent No.:** **US D626,525 S**
(45) **Date of Patent:** **** Nov. 2, 2010**

(54) **MOBILE PHONE**

(75) Inventors: **Ki Sung Kim**, Seoul (KR); **Young Keun Lee**, Seoul (KR); **Chang Hwan Hwang**, Kyunggi-do (KR)

(73) Assignee: **Samsung Electronics Co., Ltd.**, Suwon (KR)

(**) Term: **14 Years**

(21) Appl. No.: **29/339,862**

(22) Filed: **Jul. 9, 2009**

(51) **LOC (9) Cl.** **14-03**

(52) **U.S. Cl.** **D14/138 AB**

(58) **Field of Classification Search** D14/138 AB,
D14/138 R, 138 AD, 138 G, 341–347, 203.4,
D14/203.7, 203.2, 191; 455/575.3, 575.1,
455/556.2; 379/433.11, 433.13; D21/517;
D18/7

See application file for complete search history.

(56) **References Cited**

U.S. PATENT DOCUMENTS

D269,353 S *	6/1983	Yokoyama	D18/2
D304,930 S *	12/1989	Hongo et al.	D14/334
D329,427 S *	9/1992	St. Peter et al.	D14/346
D356,594 S *	3/1995	Nakashima et al.	D18/5
D365,839 S *	1/1996	Kurabuti et al.	D14/345
D377,042 S *	12/1996	Komatsu et al.	D14/345
D416,256 S *	11/1999	Griffin et al.	D14/191
D430,554 S *	9/2000	Nguyen et al.	D14/191
D465,218 S *	11/2002	Schebesch et al.	D14/343
D469,749 S *	2/2003	Kim	D14/138 AA
6,847,519 B2 *	1/2005	Arbisi et al.	361/679.12
D531,156 S *	10/2006	Ahn et al.	D14/138 C
7,203,533 B1 *	4/2007	Tischer	455/575.8
D544,458 S *	6/2007	Huang	D14/138 AA
D548,212 S *	8/2007	Lee	D14/138 AB
D552,070 S *	10/2007	Park	D14/138 AB

D555,134 S *	11/2007	Sung et al.	D14/138 AC
D557,674 S *	12/2007	Lee et al.	D14/138 AB
D563,364 S *	3/2008	Kim et al.	D14/138 AB
D568,279 S *	5/2008	Kwon et al.	D14/138 AB
D572,221 S *	7/2008	Yang et al.	D14/138 AB
D580,928 S *	11/2008	Bemelmans et al.	D14/345
D585,406 S *	1/2009	Morrison et al.	D14/138 AB
D615,056 S *	5/2010	Kim et al.	D14/138 AB
2003/0073456 A1 *	4/2003	Griffin et al.	455/550
2008/0070644 A1 *	3/2008	Park et al.	455/575.3

OTHER PUBLICATIONS

Samsung F520 telephone, announced Feb. 2007, [online], [site visited May 22, 2010]. Available from Internet ,<URL: <http://www.gsmarena.com>>.*

Alcatel OT-E159 telephone, announced 1st quarter 2005, [online], [site visited May 22, 2010]. Available from Internet ,<URL: <http://www.gsmarena.com>>.*

* cited by examiner

Primary Examiner—Jeffrey D Asch

(74) *Attorney, Agent, or Firm*—Ladas & Parry LLP

(57) **CLAIM**

We claim the ornamental design for mobile phone, as shown.

DESCRIPTION

FIG. 1 is a front/right-side/top perspective view of a mobile phone showing our new design;

FIG. 2 is a front-side elevational view thereof;

FIG. 3 is a rear-side elevational view thereof;

FIG. 4 is a left-side elevational view thereof;

FIG. 5 is a right-side elevational view thereof;

FIG. 6 is a top-side elevational view thereof;

FIG. 7 is a bottom-side elevational view thereof; and,

FIG. 8 is a front-side elevational view of a mobile phone opened.

1 Claim, 6 Drawing Sheets

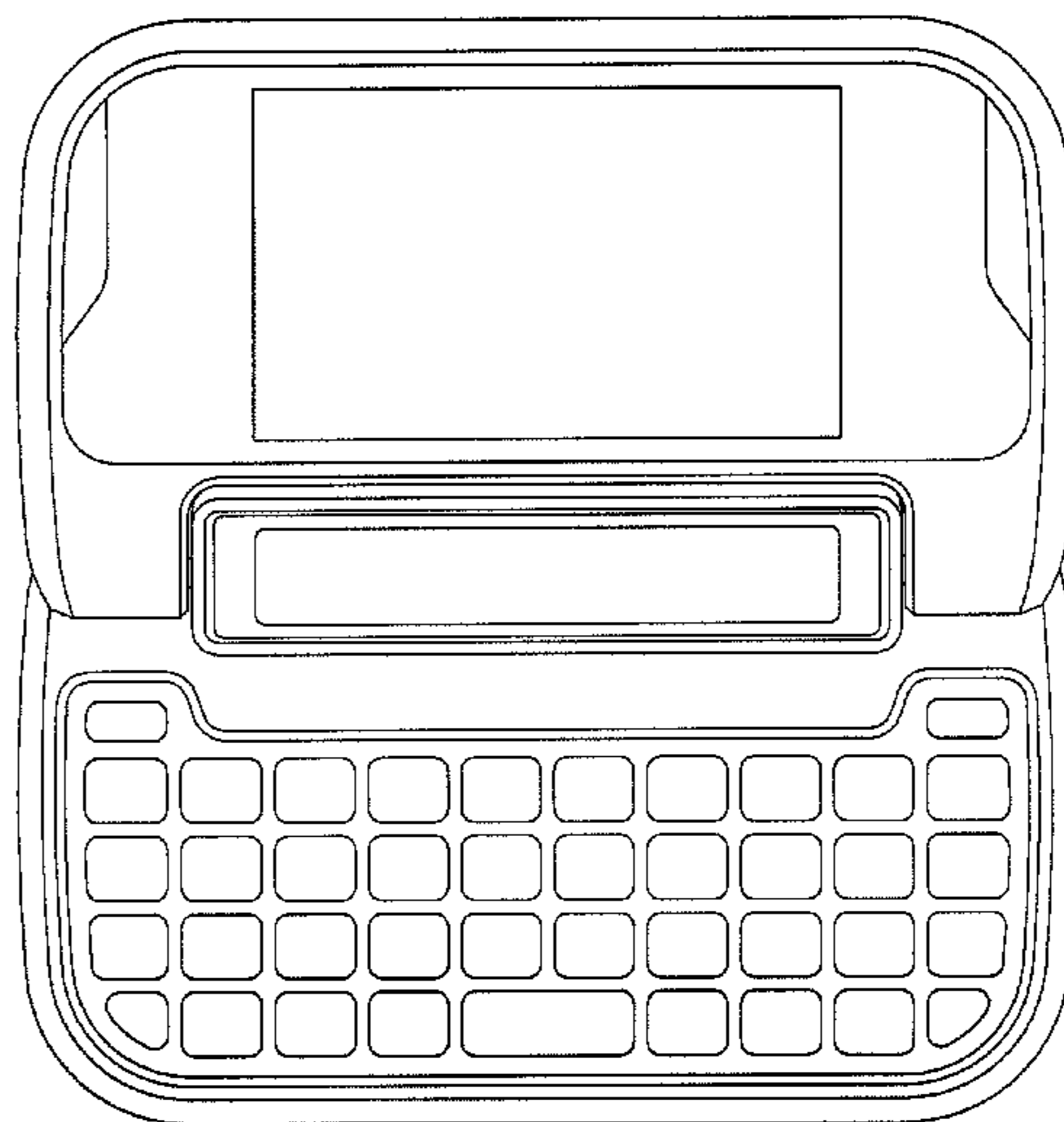
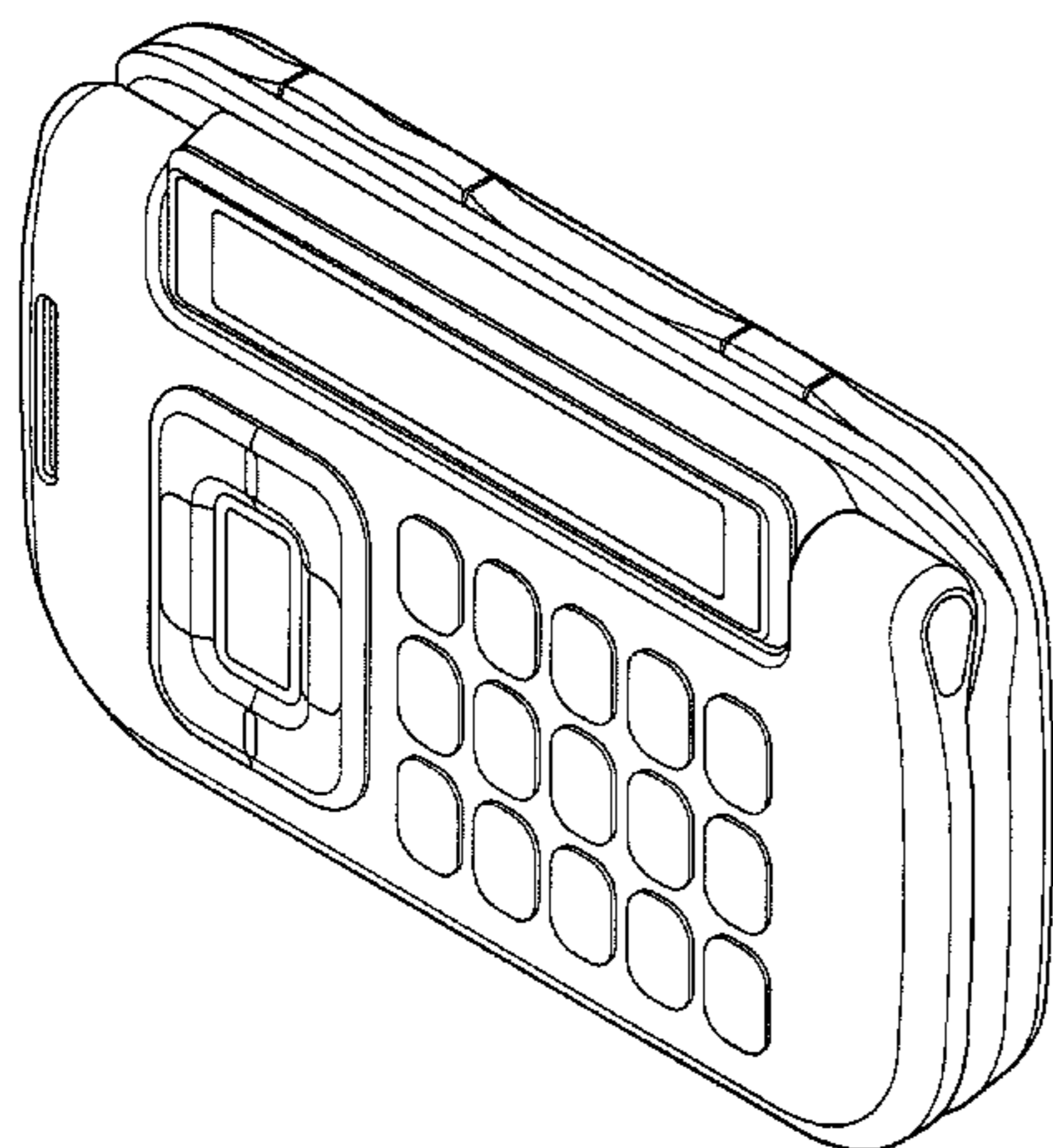


FIG. 1

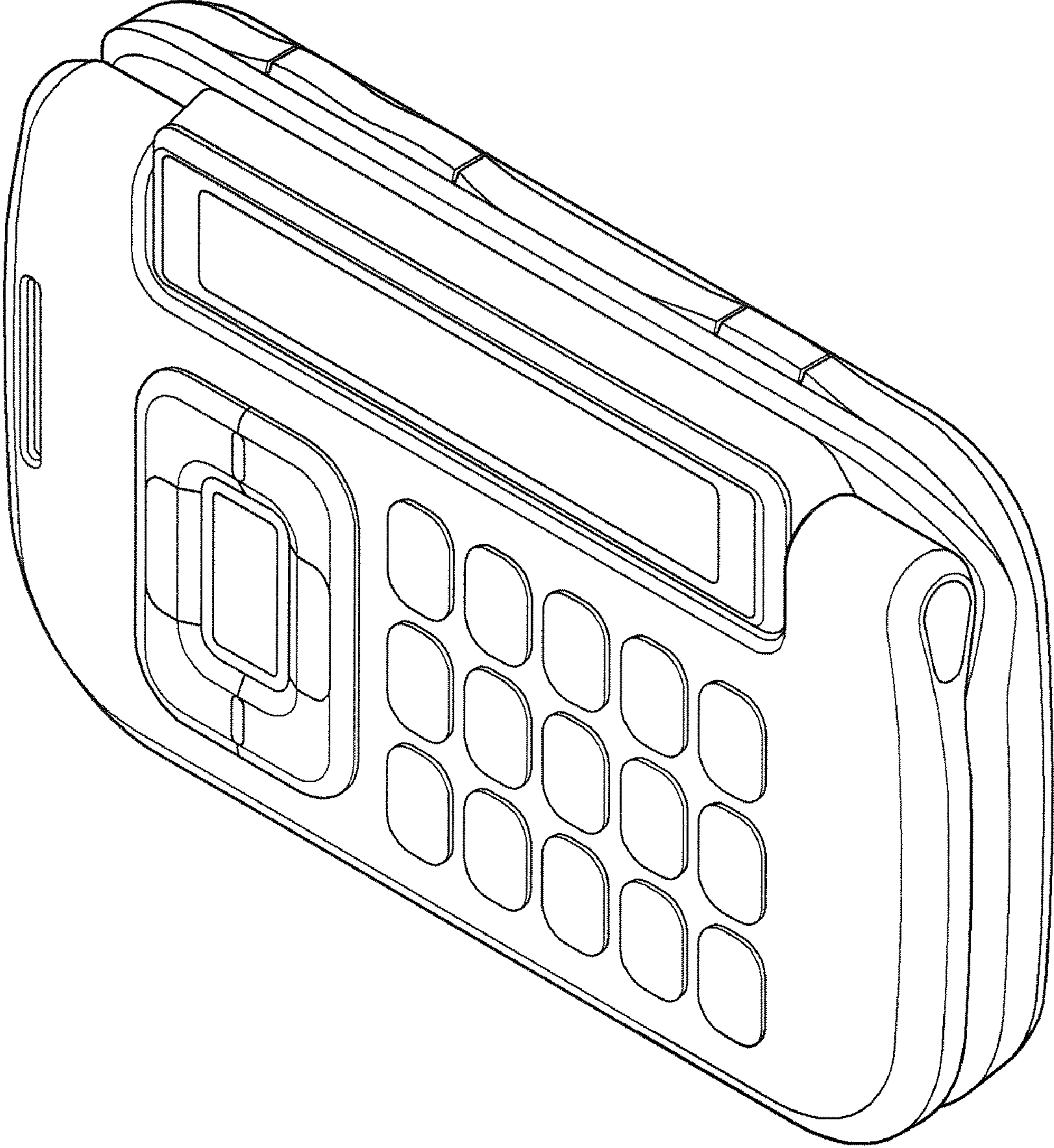


FIG. 2

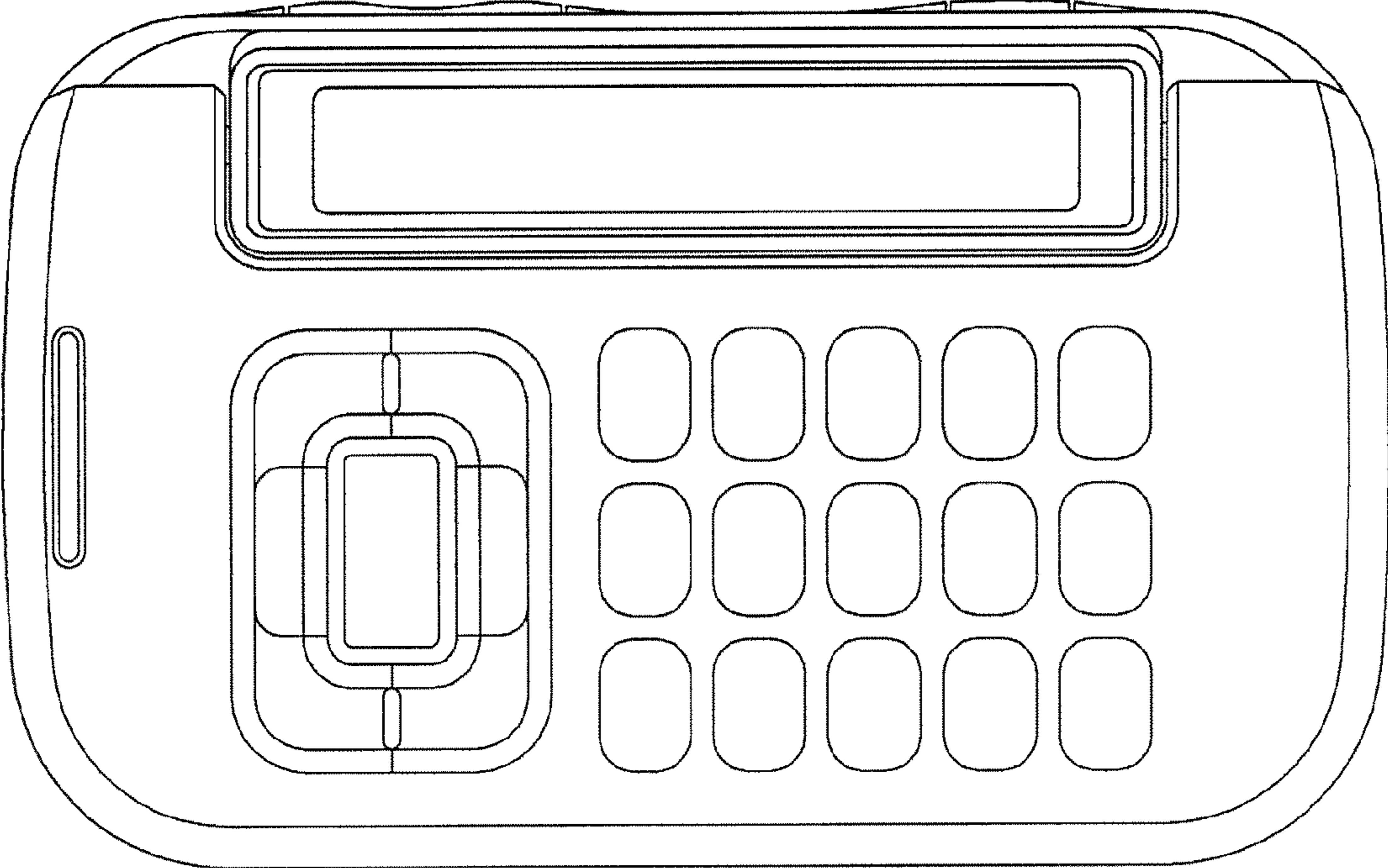


FIG. 3

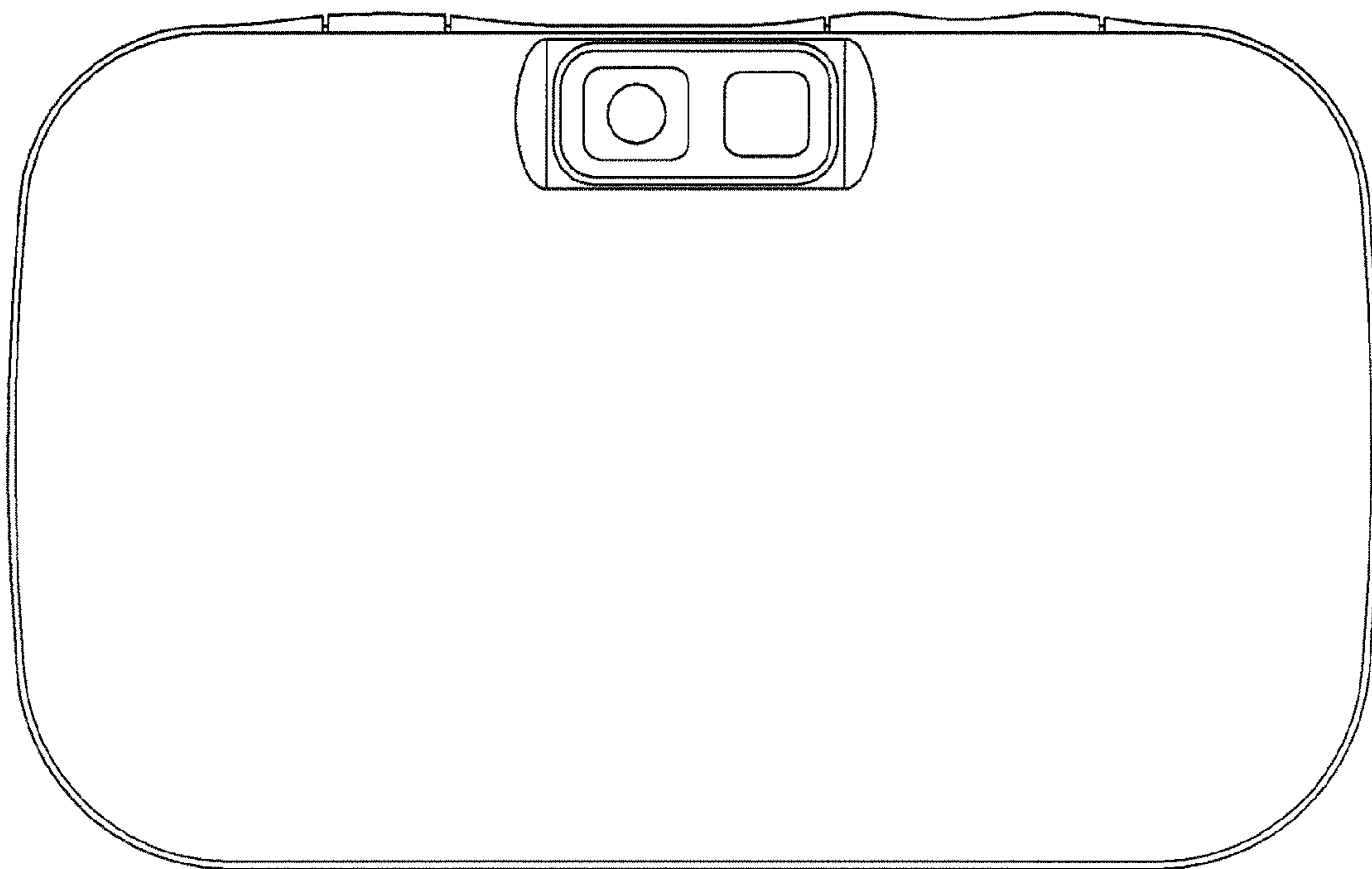


FIG. 4

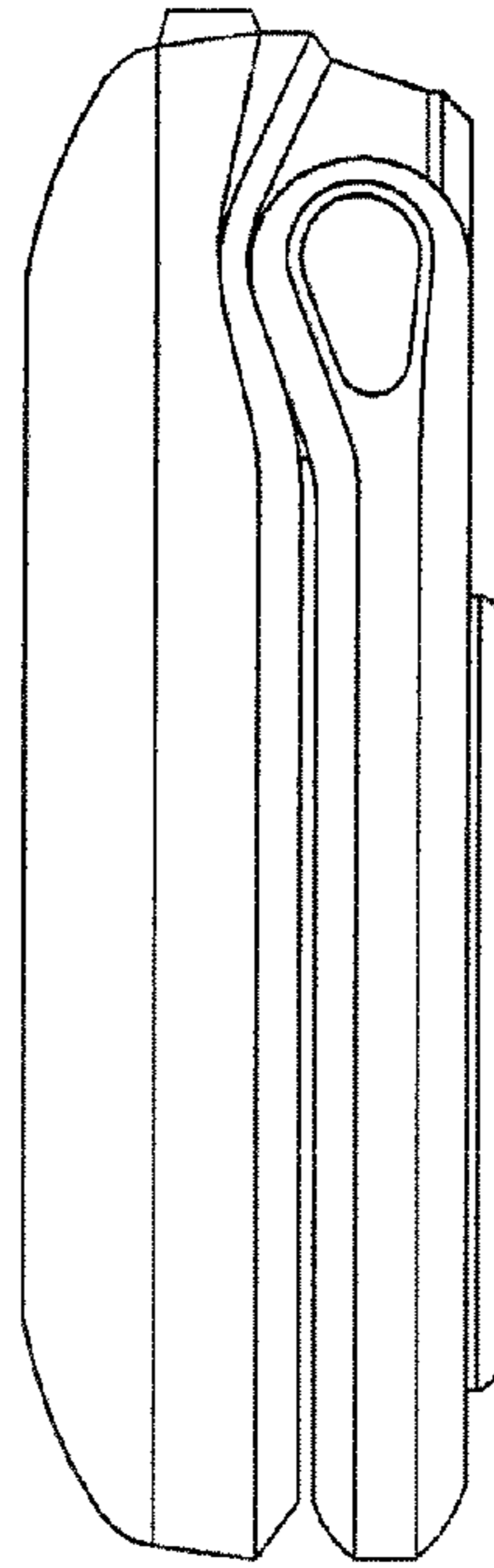


FIG. 5

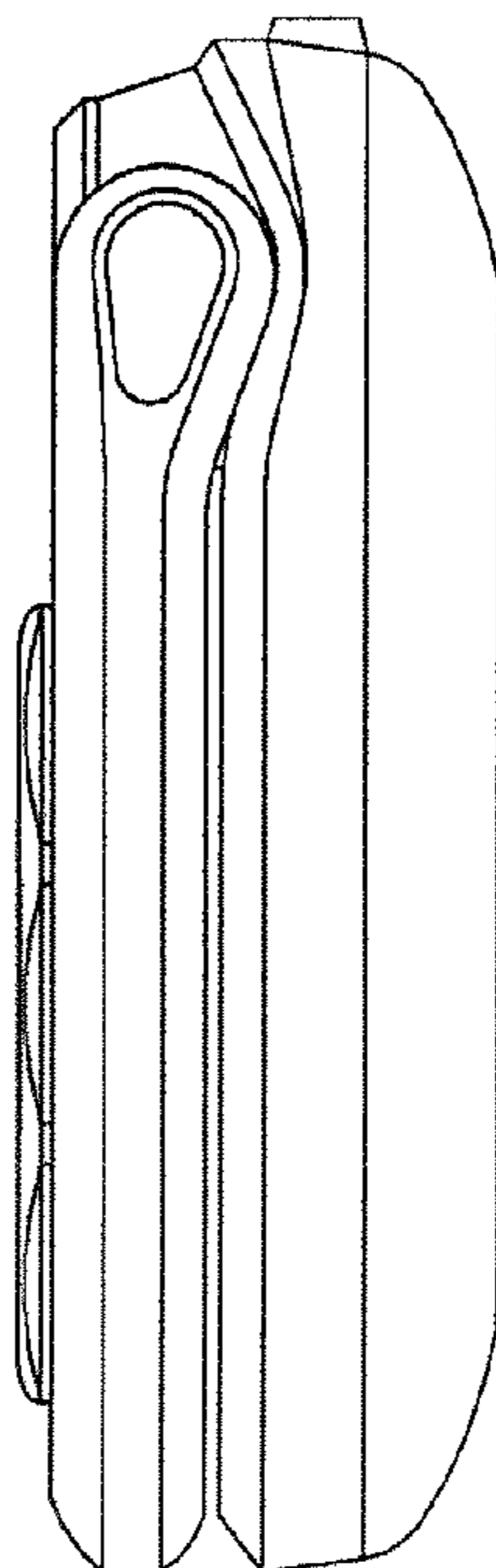


FIG. 6

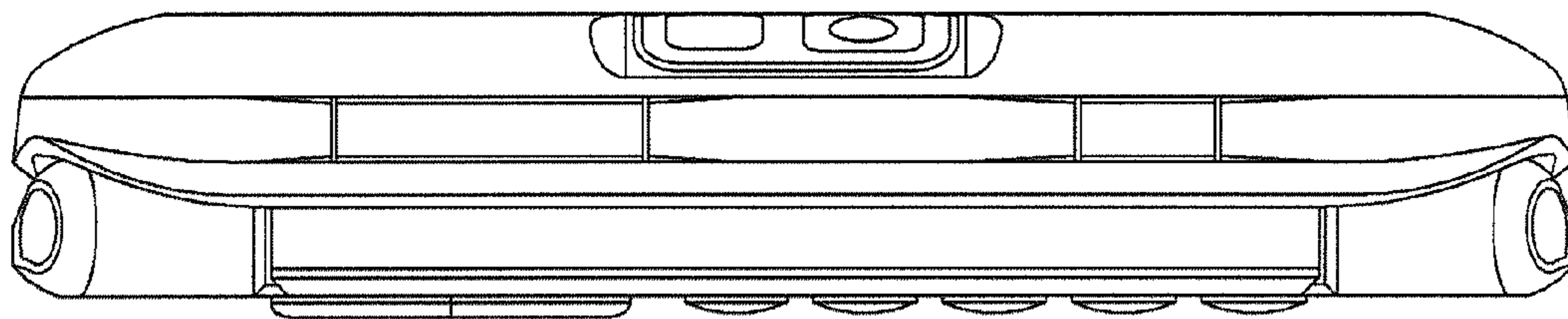


FIG. 7

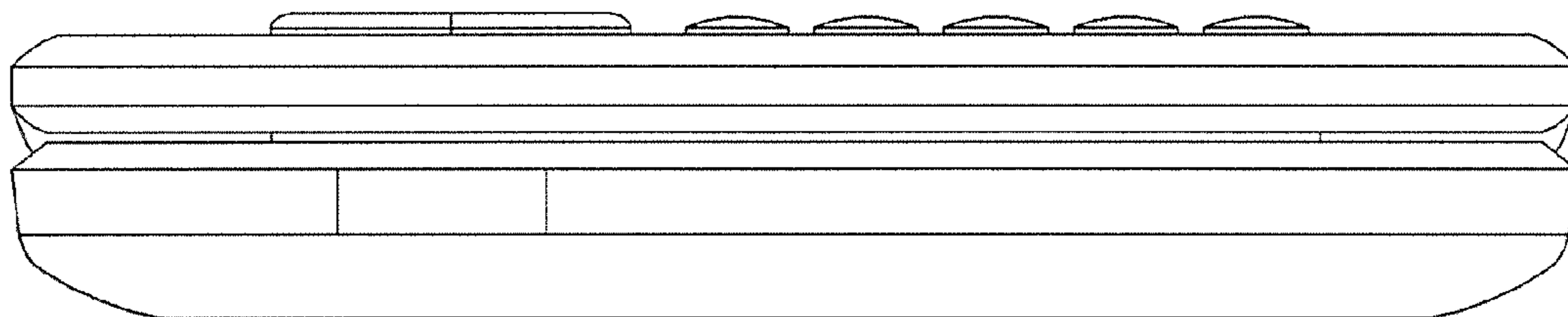


FIG. 8

