



US00D626524S

(12) **United States Design Patent**
Takami

(10) **Patent No.:** **US D626,524 S**
(45) **Date of Patent:** **** *Nov. 2, 2010**

(54) **TELEVISION RECEIVER**

(75) Inventor: **Mitsuru Takami**, Osaka (JP)

(73) Assignee: **Panasonic Corporation**, Osaka (JP)

(**) Term: **14 Years**

(21) Appl. No.: **29/338,323**

(22) Filed: **Jun. 9, 2009**

(30) **Foreign Application Priority Data**
Dec. 10, 2008 (JP) 2008-031444

(51) **LOC (9) Cl.** **14-03**

(52) **U.S. Cl.** **D14/126**

(58) **Field of Classification Search** D14/125-134,
D14/239, 371, 136, 374-377, 440, 450, 448,
D14/336, 342; 312/7.2; 348/836, 838, 180,
348/184, 325, 739; 341/12; 248/917-924,
248/465; 345/104, 133, 156, 168, 87, 173;
720/605, 669, 600, 655; 369/99, 197; 455/344-347;
D21/329, 515, 577, 622, 333, 433, 448, 452,
D21/450, 331; D6/477, 479, 300; 273/148 B;
446/484, 175, 356; D10/15, 26
See application file for complete search history.

JP	D1280852	9/2006
JP	D1281094	9/2006
JP	D1296118	3/2007
JP	D1301412	5/2007
JP	D1301593	5/2007
JP	D1302247	5/2007
JP	D1307781	8/2007
JP	D1314696	11/2007
JP	D1320947	2/2008
JP	D1320948	2/2008
JP	D1320949	2/2008
JP	D1320950	2/2008
JP	D1321651	2/2008
JP	D1321652	2/2008
JP	D1325484	3/2008
JP	D1339167	9/2008
JP	D1342412	10/2008
JP	D1346847	12/2008
JP	D1355719	4/2009

* cited by examiner

Primary Examiner—Raphael Barkai
(74) *Attorney, Agent, or Firm*—Brinks Hofer Gilson & Lione

(57) **CLAIM**

I claim the ornamental design for a television receiver, as shown and described.

(56) **References Cited**

U.S. PATENT DOCUMENTS

D566,070 S * 4/2008 Takami et al. D14/126

D567,201 S * 4/2008 Profit D14/126

D576,974 S * 9/2008 Kim et al. D14/126

D589,477 S * 3/2009 Quaglio D14/126

D591,250 S * 4/2009 Yoshimura D14/126

D594,830 S * 6/2009 Shiraki et al. D14/129

D597,043 S * 7/2009 Honda et al. D14/126

D601,524 S * 10/2009 Kibushi et al. D14/126

D601,525 S * 10/2009 Kibushi D14/126

FOREIGN PATENT DOCUMENTS

JP D1258103 12/2005

JP D1262480 2/2006

DESCRIPTION

FIG. 1 is a front perspective view of a television receiver of the present invention;

FIG. 2 is a front view thereof;

FIG. 3 is a rear view thereof;

FIG. 4 is a right side view thereof, the left side view being a mirror image thereof;

FIG. 5 is a top view thereof;

FIG. 6 is a bottom view thereof; and,

FIG. 7 is an enlarged view of a portion of the front perspective view thereof.

1 Claim, 7 Drawing Sheets

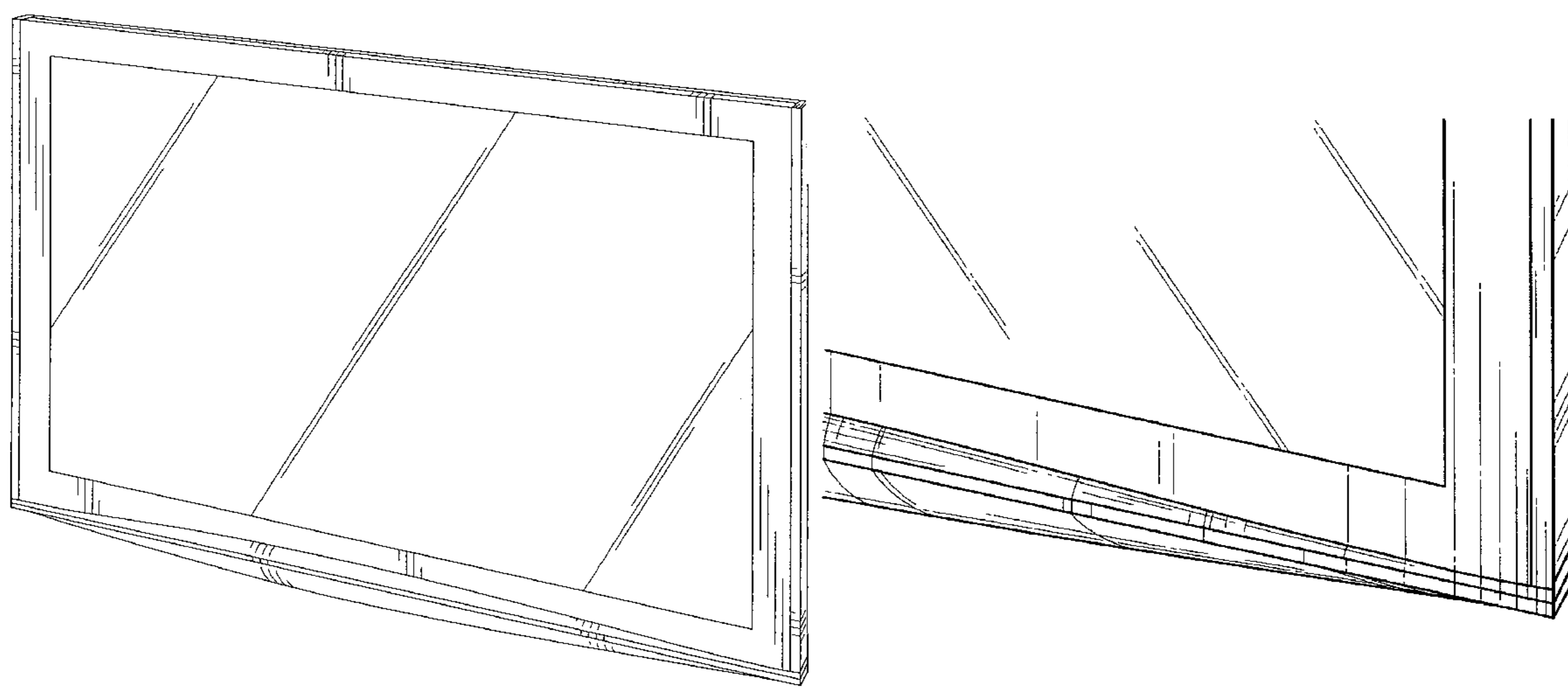


FIG.1

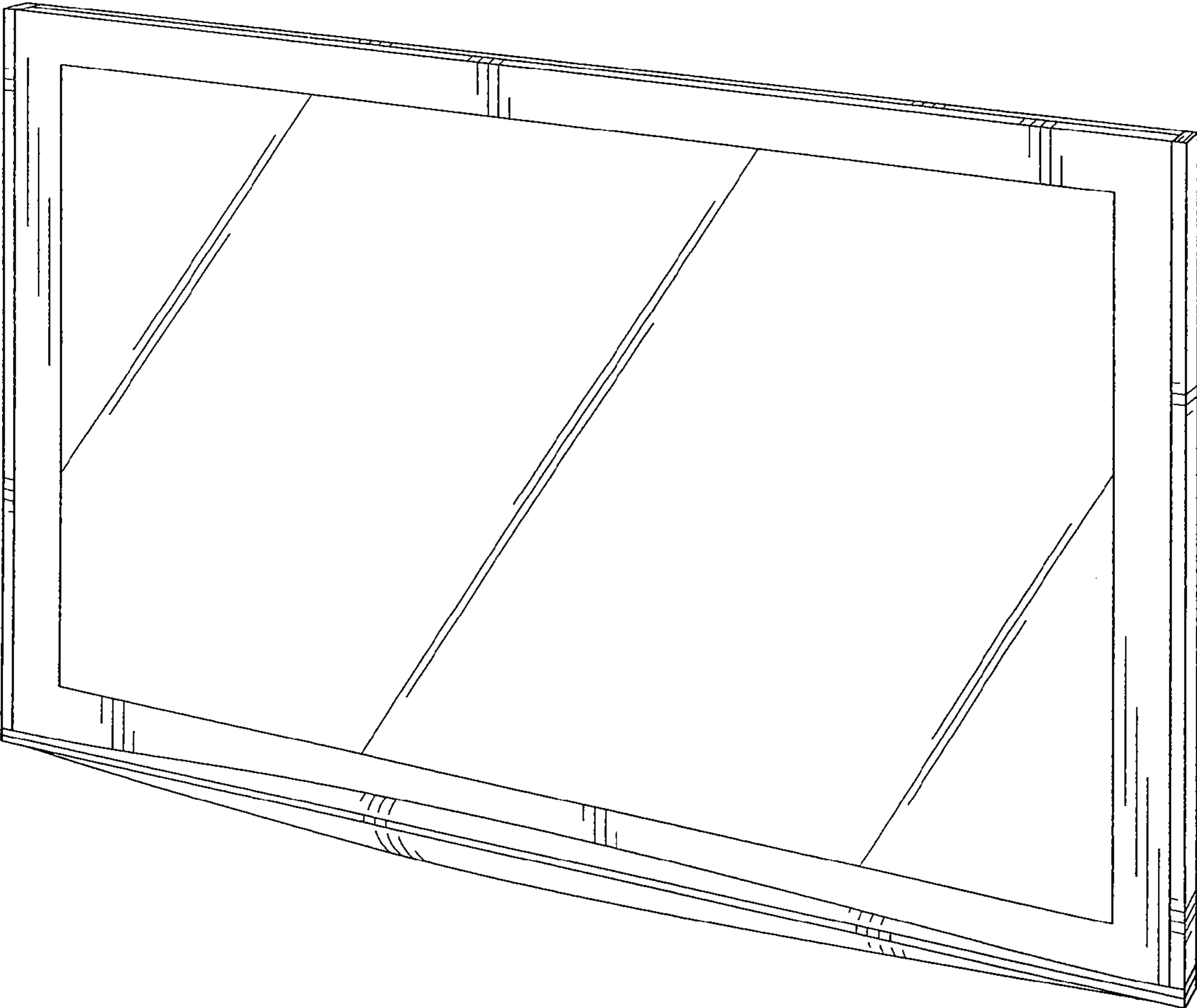


FIG.2

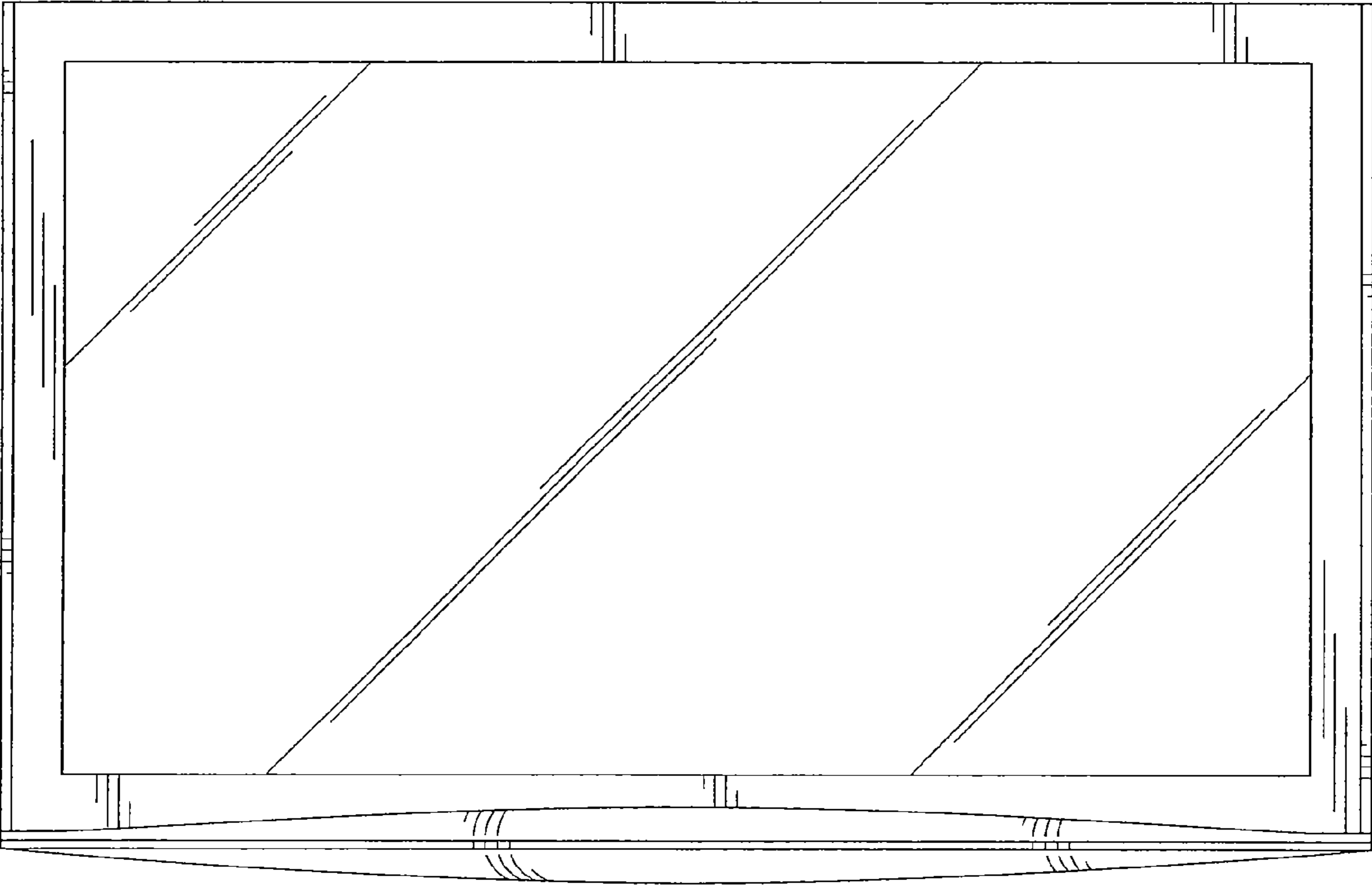


FIG.3

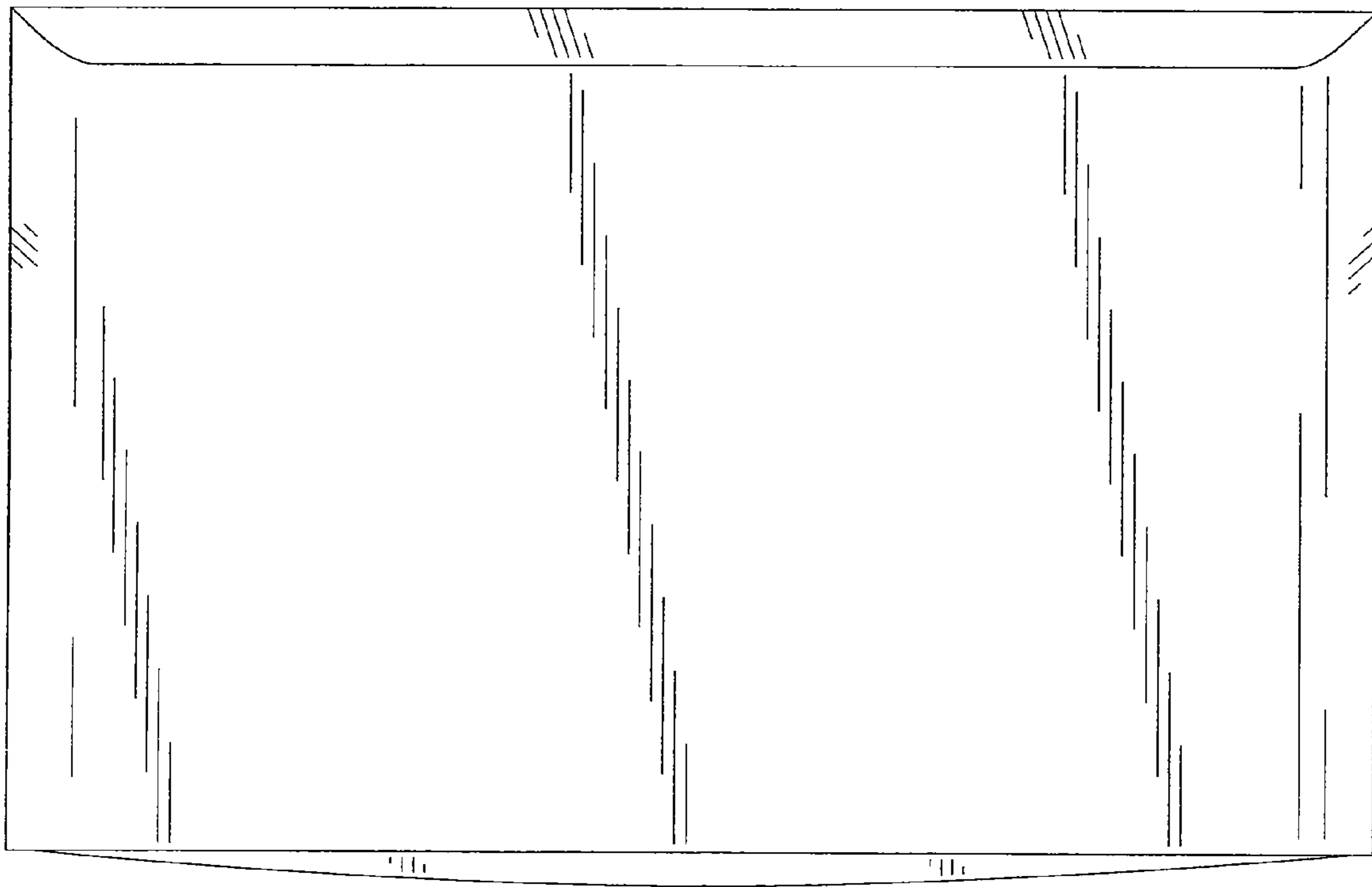


FIG.4



FIG.5

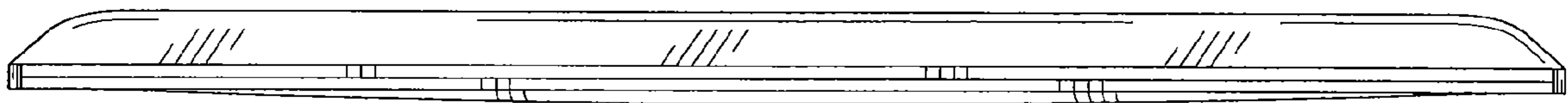


FIG.6

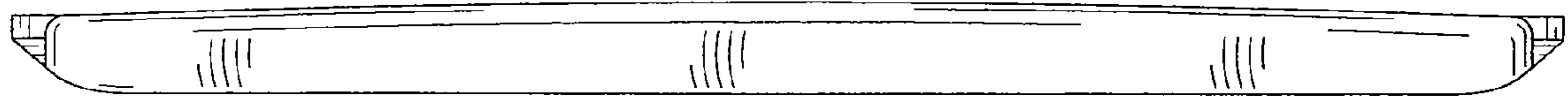


FIG.7

