



US00D626518S

(12) **United States Design Patent**  
**Teixeira Pinto Dias**

(10) **Patent No.:** **US D626,518 S**  
(45) **Date of Patent:** **\*\* Nov. 2, 2010**

(54) **OPERATING DISPLAY PANEL**

(75) Inventor: **Manuel Teixeira Pinto Dias**, Locarno (CH)

(73) Assignee: **Inventio AG**, Hergiswil (CH)

(\*\*) Term: **14 Years**

(21) Appl. No.: **29/354,665**

(22) Filed: **Jan. 27, 2010**

(30) **Foreign Application Priority Data**

Jul. 27, 2009 (CH) ..... 136280

(51) **LOC (9) Cl.** ..... **13-03**

(52) **U.S. Cl.** ..... **D13/177; D13/171**

(58) **Field of Classification Search** ..... D13/162,  
D13/171, 174, 177; 174/66; 200/5 R, 5 A,  
200/1 B, 293, 296, 329, 406, 513, 520, 530,  
200/302.1, 302.2, 314, 315, 341, 344; 315/291-296;  
338/198-200; 307/112, 115, 125, 139, 157;  
D8/353

See application file for complete search history.

(56) **References Cited**

**U.S. PATENT DOCUMENTS**

4,757,168 A \* 7/1988 Fujiyoshi et al. .... 200/296

5,036,168 A \* 7/1991 Kikuchi et al. .... 200/5 R

D324,511 S \* 3/1992 Ginther et al. .... D13/170  
D505,060 S \* 5/2005 Nortier et al. .... D8/353  
D518,446 S \* 4/2006 Hedderich et al. .... D13/162  
D519,939 S \* 5/2006 Hedderich et al. .... D13/164  
D522,346 S \* 6/2006 Chen ..... D8/353  
D537,795 S \* 3/2007 Chen ..... D13/162  
D585,844 S \* 2/2009 Bhate et al. .... D13/173

\* cited by examiner

*Primary Examiner*—Selina Sikder

(57) **CLAIM**

The ornamental design for an operating display panel, as shown and described.

**DESCRIPTION**

FIG. 1 is a top front perspective view of a new design for an operating display panel;

FIG. 2 is a front elevation view thereof;

FIG. 3 is a left elevation view thereof, which is a mirror image of a right elevation view thereof;

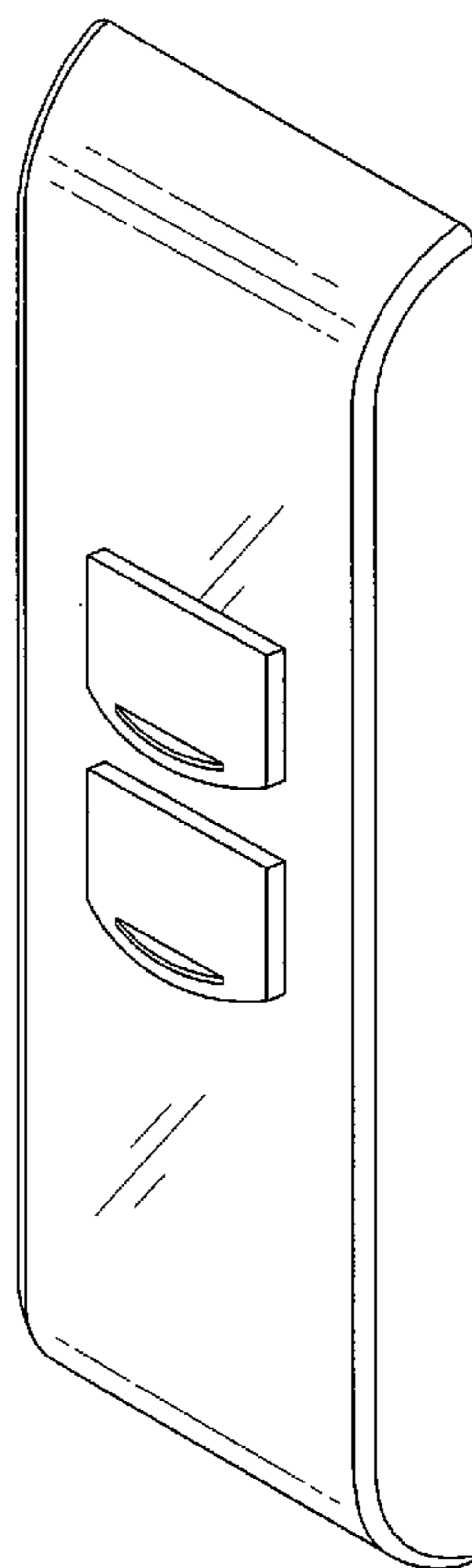
FIG. 4 is a rear elevation view thereof;

FIG. 5 is a bottom plan view thereof; and,

FIG. 6 is a top plan view thereof.

The broken lines showing particular elements of the operating display panel are included for illustrative purposes only and form no part of the claimed design.

**1 Claim, 2 Drawing Sheets**



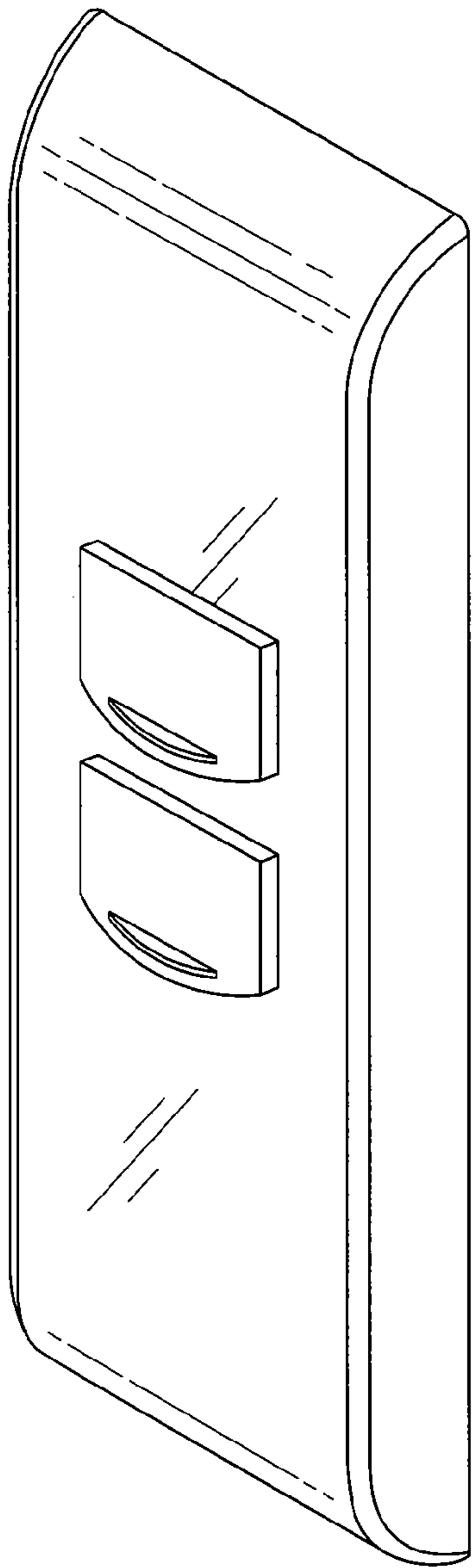


FIG. 1

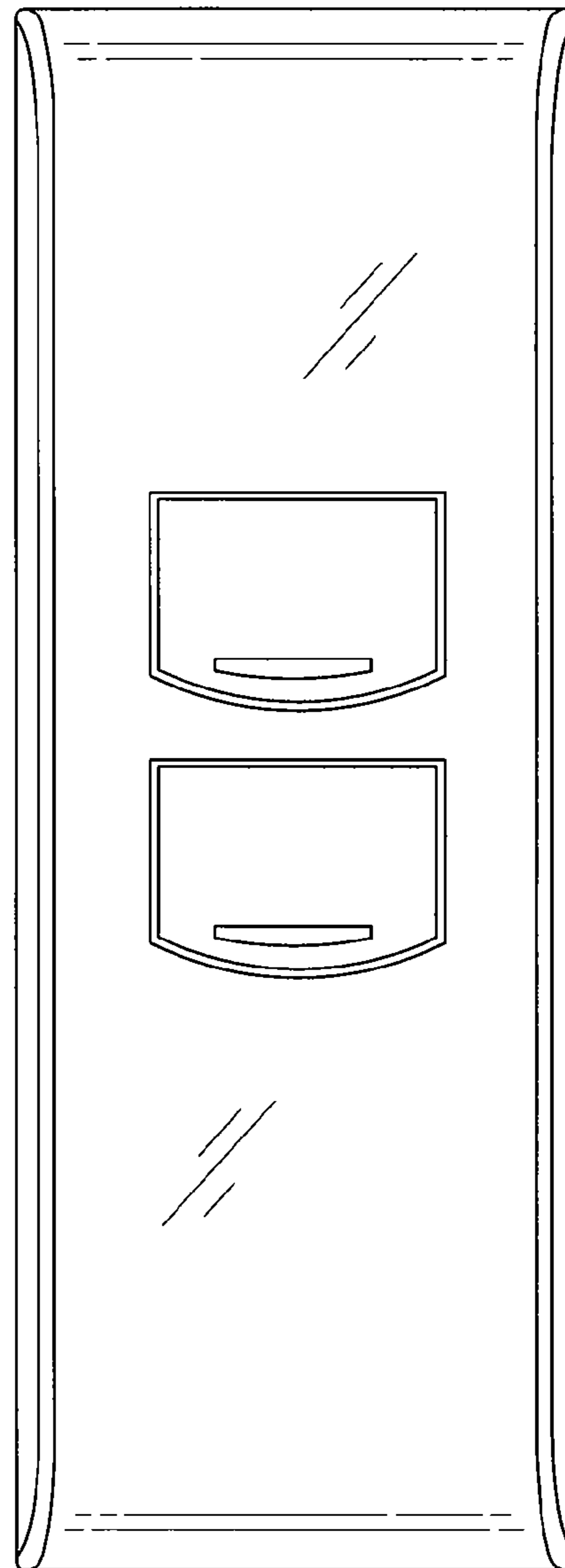


FIG. 2

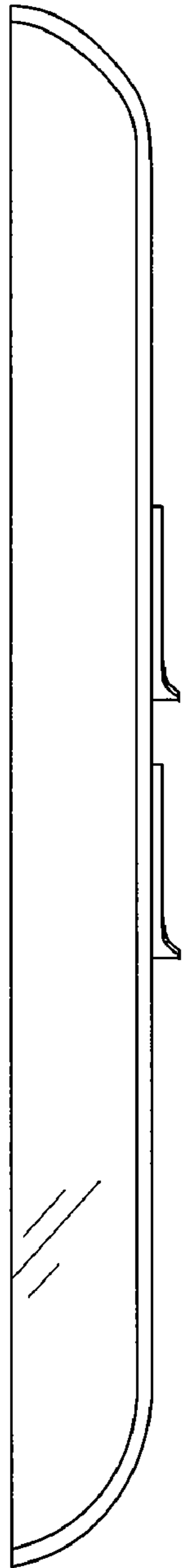


FIG. 3

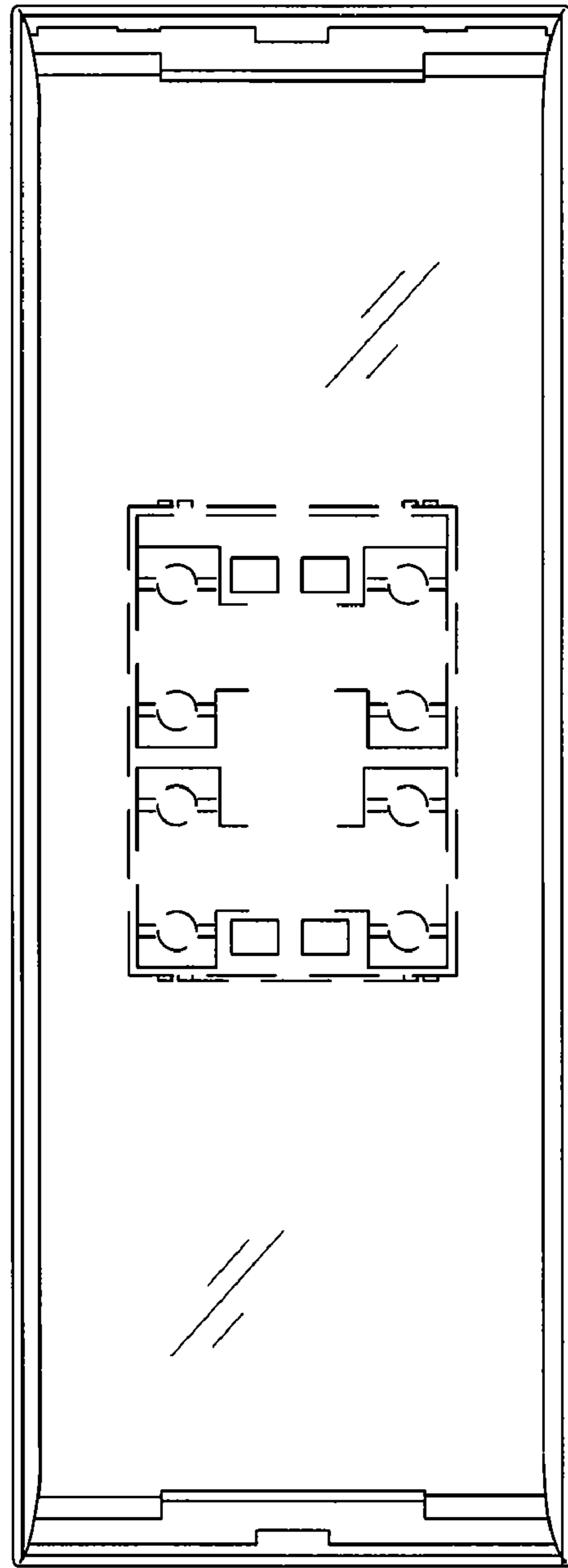


FIG. 4

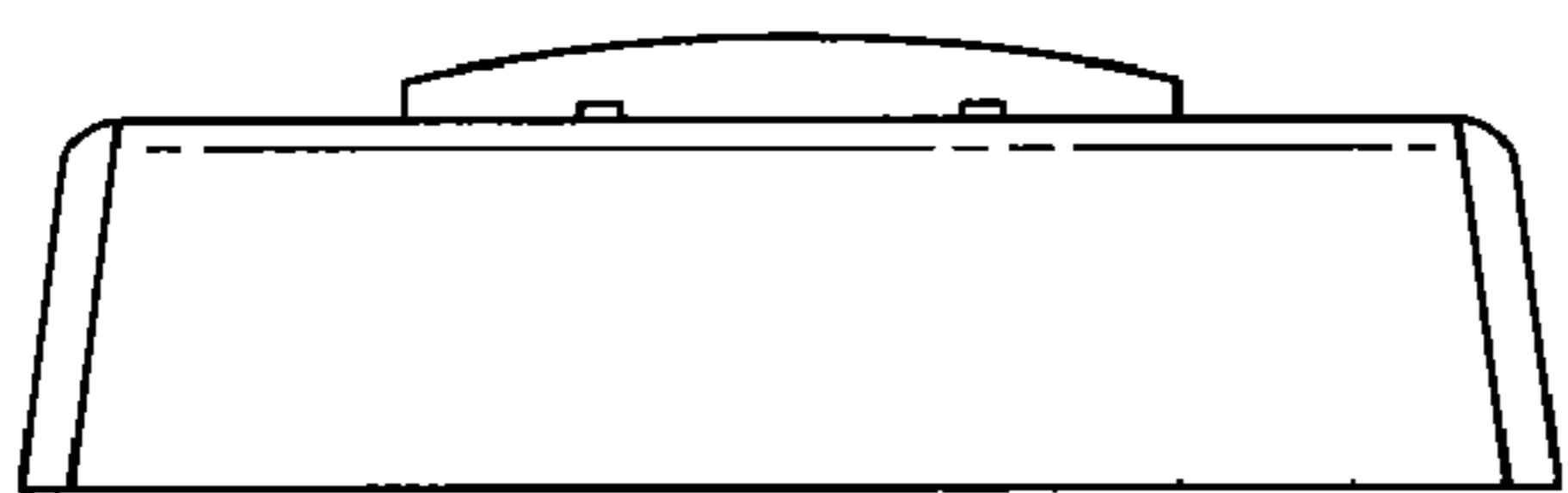


FIG. 5

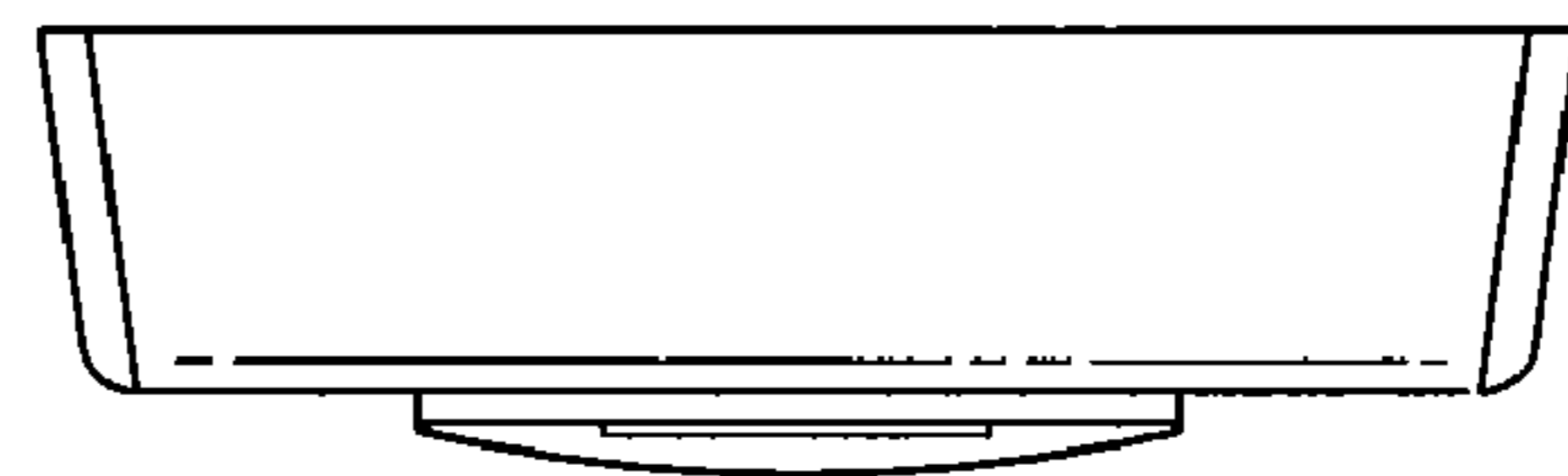


FIG. 6