



US00D626517S

(12) **United States Design Patent**
Yano

(10) **Patent No.:** **US D626,517 S**
(45) **Date of Patent:** **** Nov. 2, 2010**

(54) **REMOTE CONTROLLER**

(75) Inventor: **Ken Yano**, Tokyo (JP)

(73) Assignee: **Sony Computer Entertainment Inc.**,
Tokyo (JP)

(**) Term: **14 Years**

(21) Appl. No.: **29/347,582**

(22) Filed: **Mar. 8, 2010**

(30) **Foreign Application Priority Data**

Sep. 18, 2009 (JP) D2009-021730

(51) **LOC (9) Cl.** **14-03**

(52) **U.S. Cl.** **D13/168**

(58) **Field of Classification Search** D13/168;
D9/503, 519, 549; D14/218, 247, 400, 401;
340/825.22, 825.24, 825.25, 825.31, 825.36,
340/825.69, 825.72; 341/176; 455/352;
345/156; D21/333; D24/197; D99/99; 273/148 B
See application file for complete search history.

(56) **References Cited**

U.S. PATENT DOCUMENTS

D389,151 S	1/1998	Shintani	
D410,468 S	6/1999	Kazama	
D487,450 S	3/2004	Hakoda	
D492,664 S *	7/2004	Christianson D14/218
D502,929 S *	3/2005	Copeland et al. D13/168
D504,886 S	5/2005	Yasutomi	

D512,027 S *	11/2005	Sarasjoki et al. D13/168
D559,793 S *	1/2008	Fan D13/168
D567,243 S *	4/2008	Ashida et al. D14/412
D575,284 S *	8/2008	Ashida et al. D14/400
D576,113 S *	9/2008	Kindle et al. D13/168
D594,066 S *	6/2009	Oikawa et al. D21/333
2005/0243549 A1 *	11/2005	Ruston 362/233
2007/0072680 A1 *	3/2007	Ikeda 463/43

* cited by examiner

Primary Examiner—Selina Sikder

(74) *Attorney, Agent, or Firm*—Rader, Fishman & Grauer
PLLC

(57) **CLAIM**

The ornamental design for a remote controller, as shown and described.

DESCRIPTION

FIG. 1 is a front elevational view of a remote controller showing my new design;

FIG. 2 is a rear elevational view thereof;

FIG. 3 is a left side elevational view thereof, a right side elevational view thereof being a mirror image;

FIG. 4 is a top plan view thereof;

FIG. 5 is a bottom plan view thereof;

FIG. 6 is a front, bottom, right perspective view thereof; and,

FIG. 7 is a rear, top, right perspective view thereof.

1 Claim, 4 Drawing Sheets

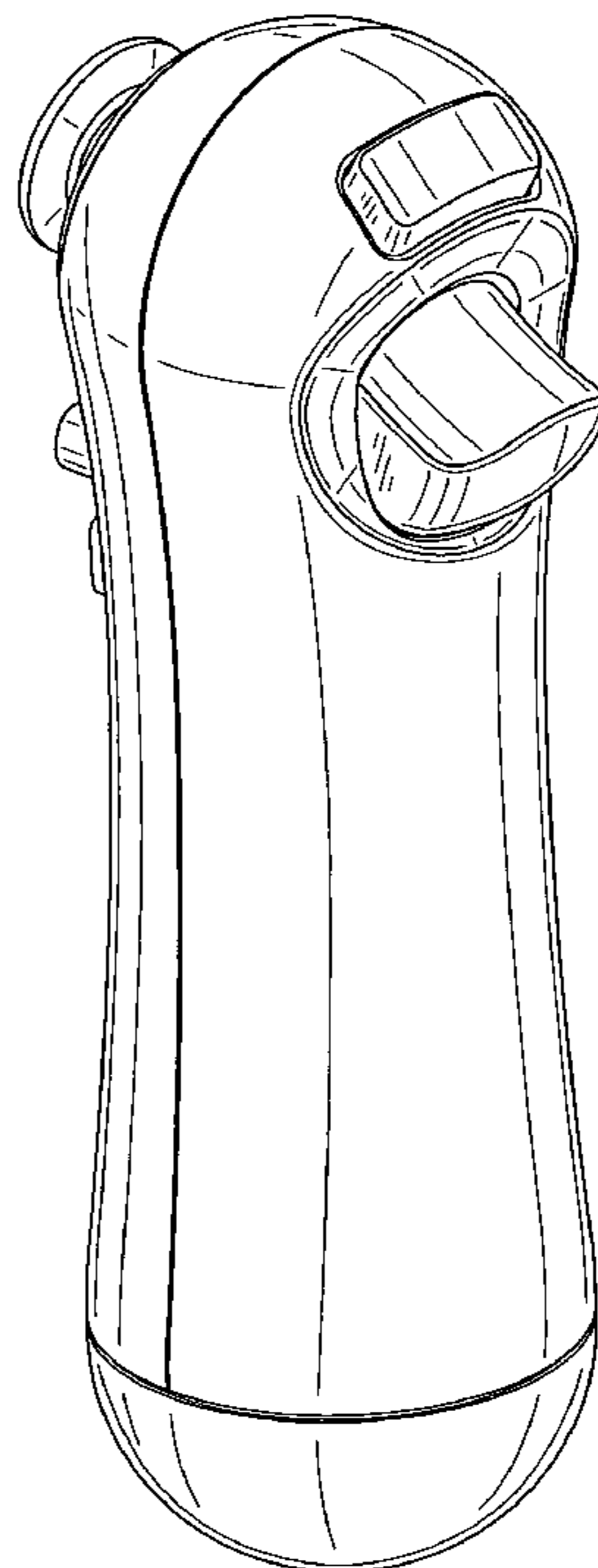
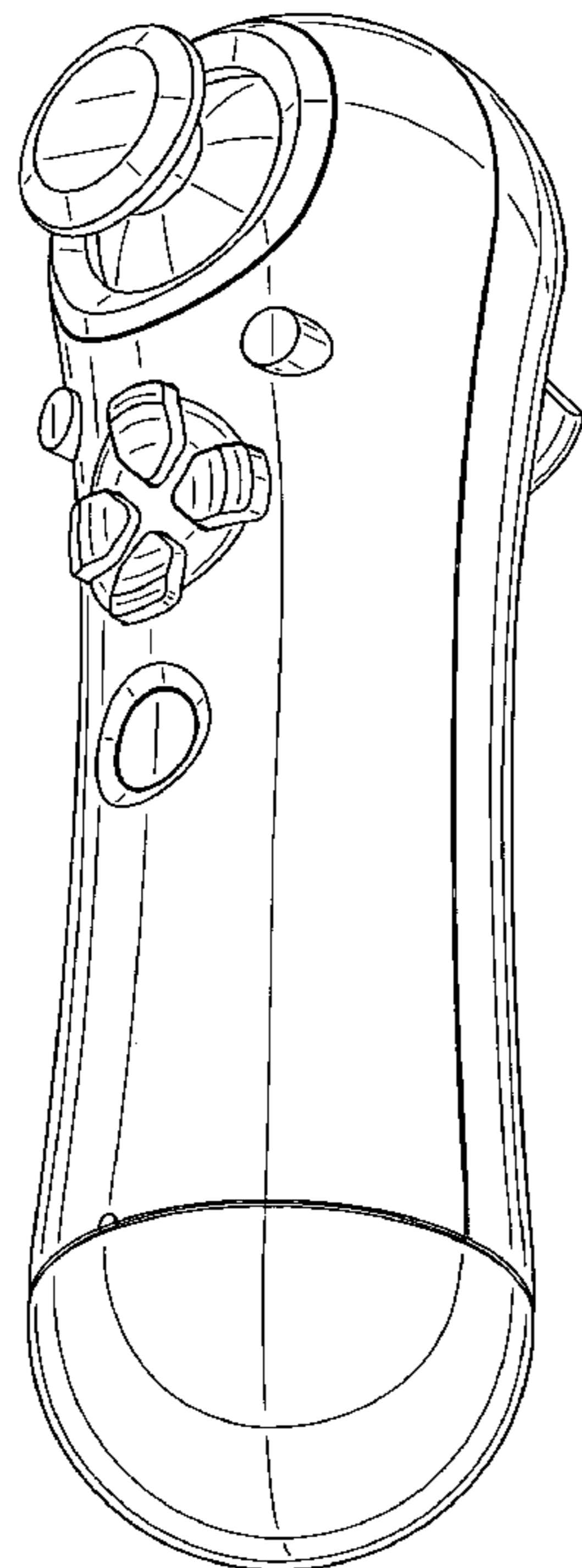


FIG.1

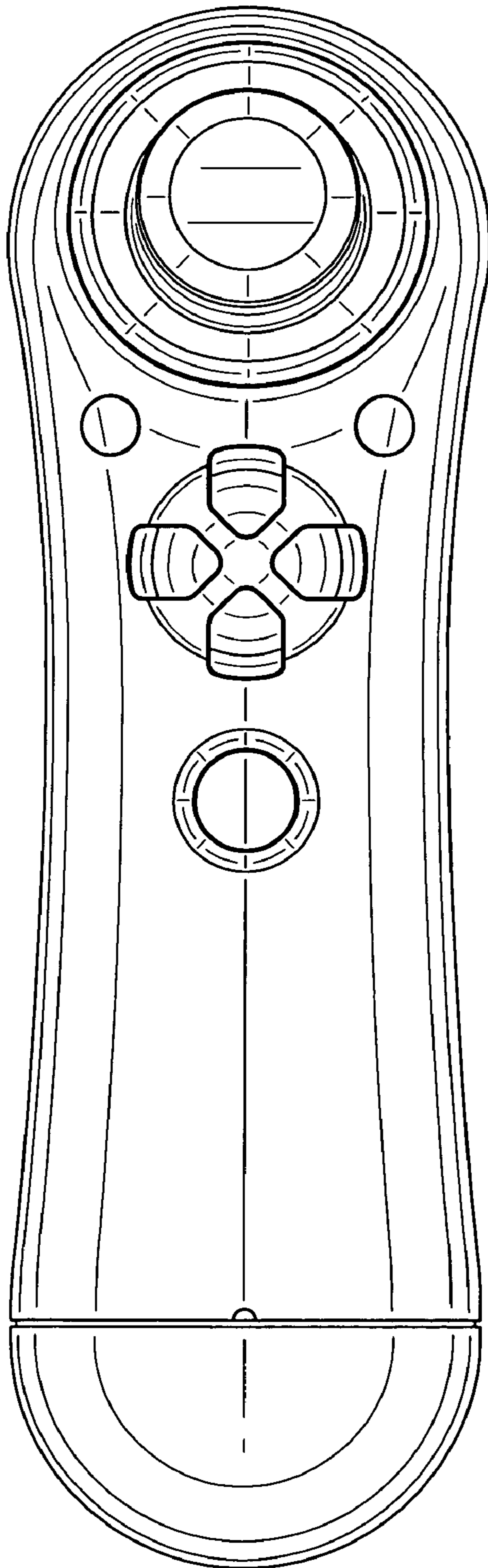


FIG.2

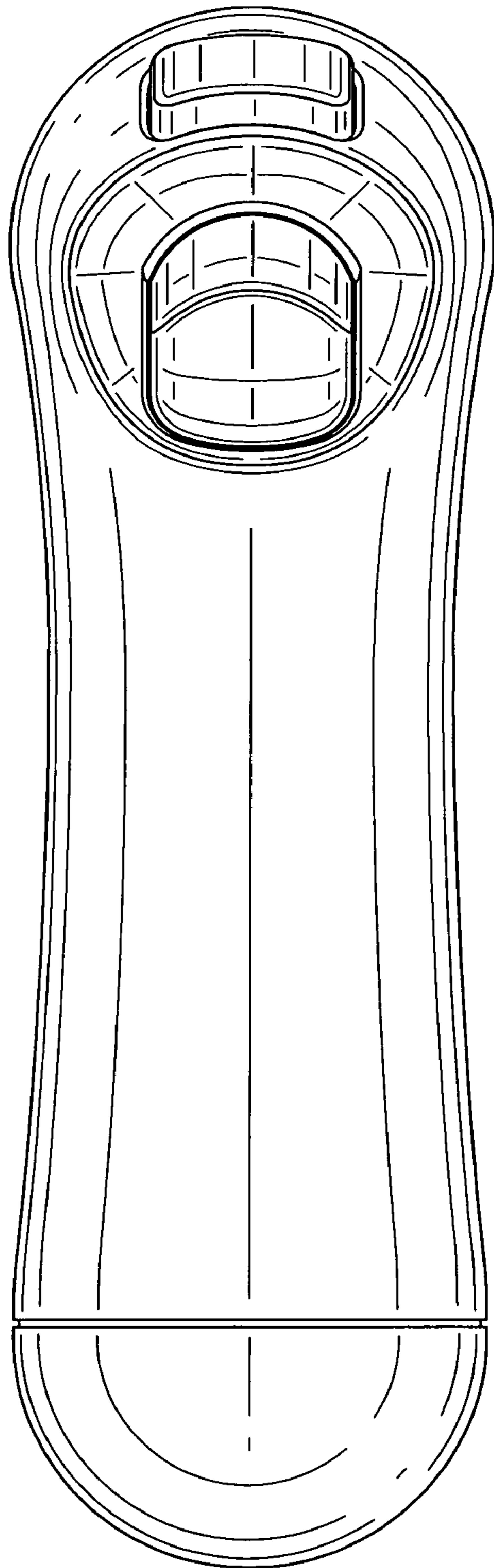


FIG.3

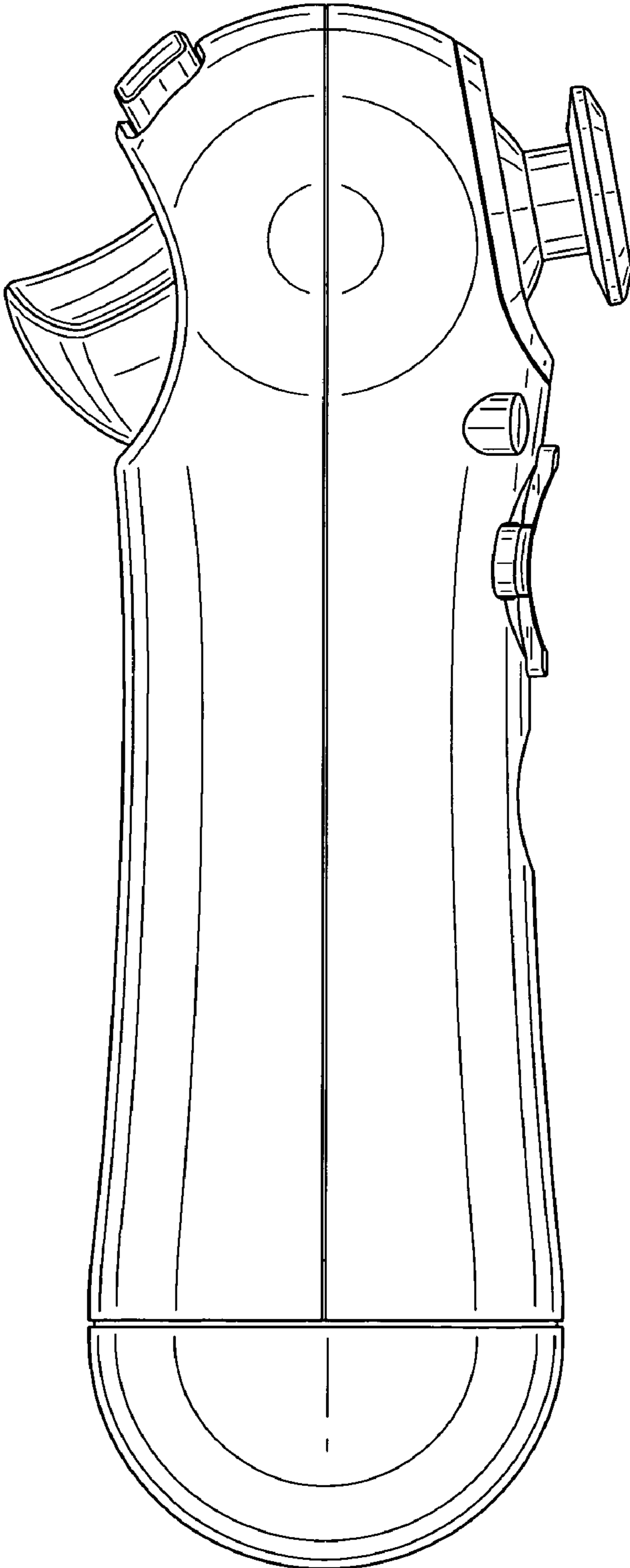


FIG.4

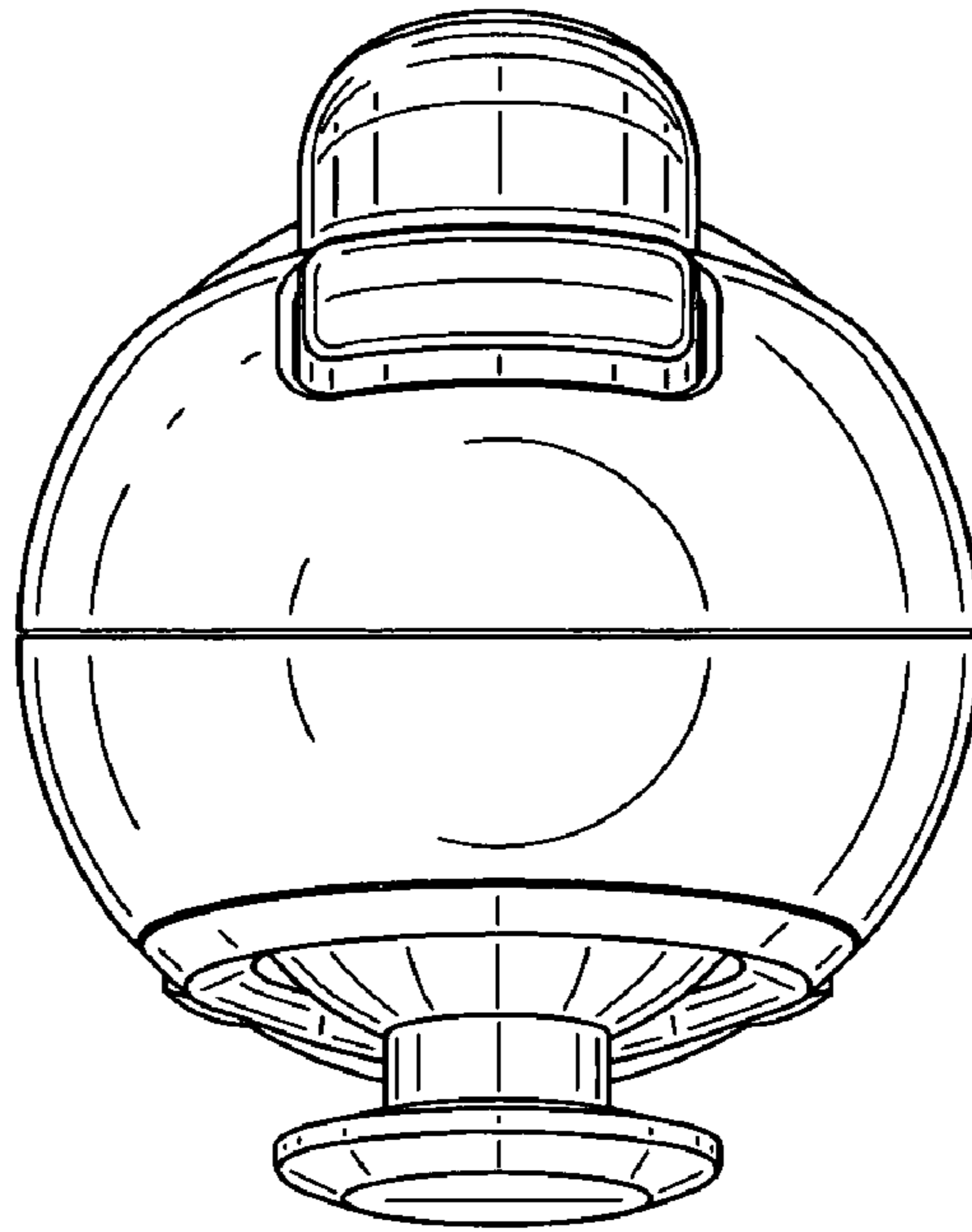


FIG.5

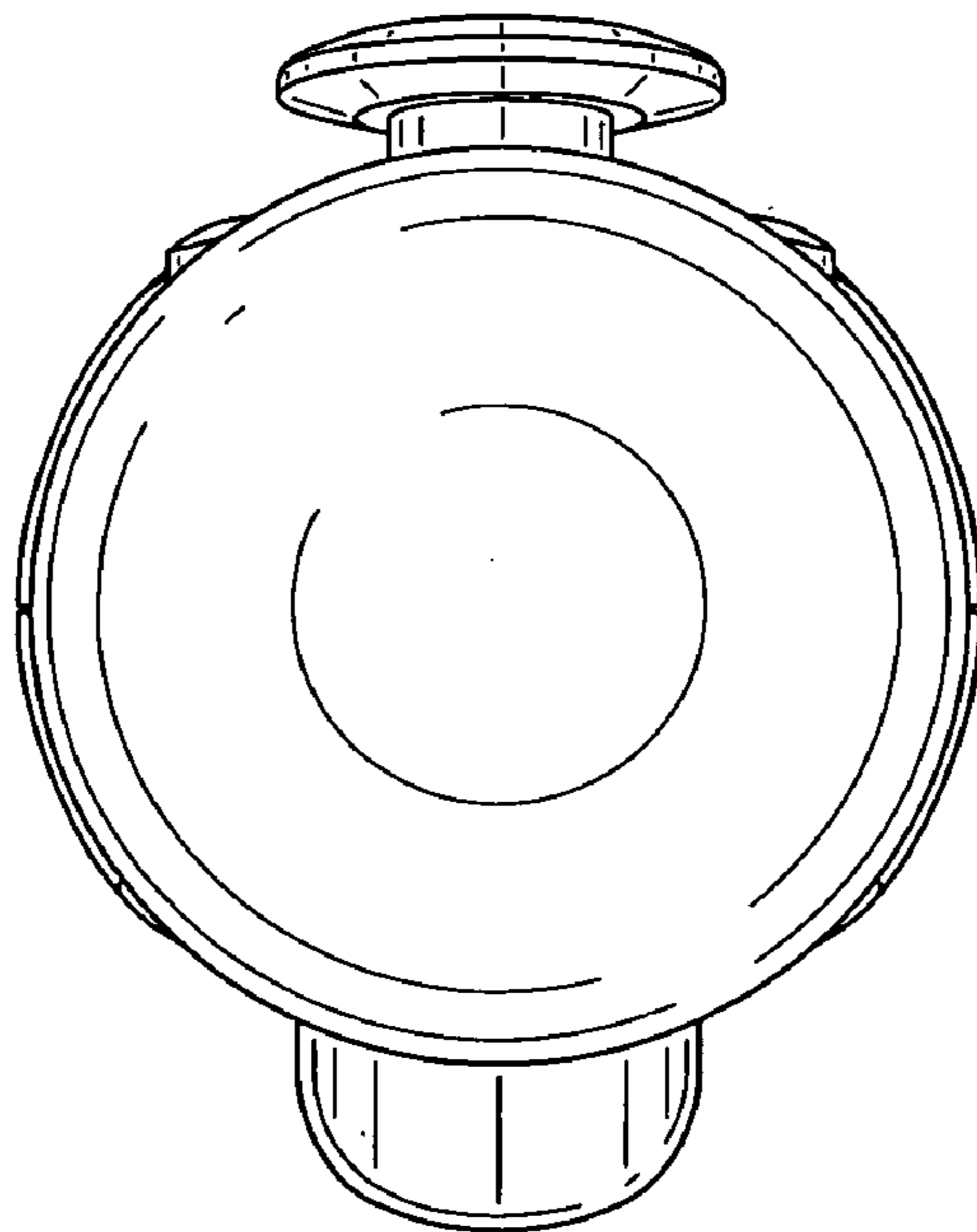


FIG.6

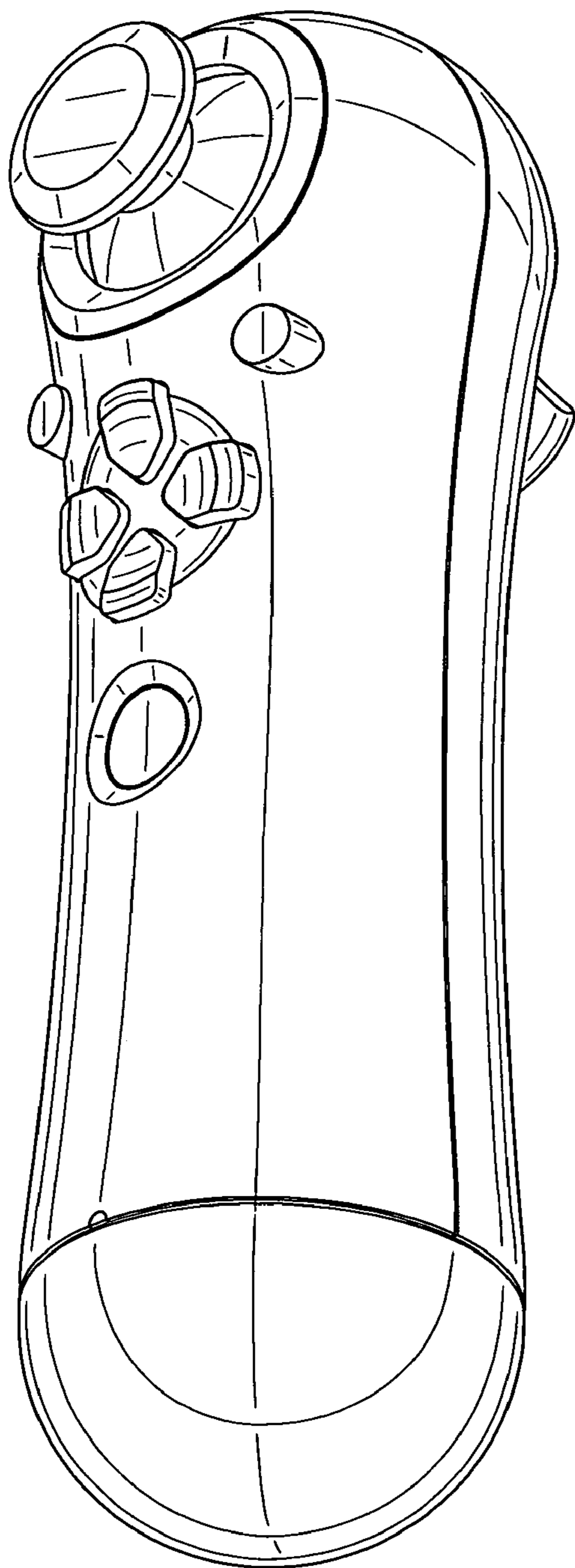


FIG.7

