



US00D626516S

(12) **United States Design Patent**
Hakemeyer et al.

(10) **Patent No.:** **US D626,516 S**

(45) **Date of Patent:** **** Nov. 2, 2010**

(54) **ADJUSTING DEVICE FOR THE SETPOINT OF AN ELECTRIC MODULE**
(75) Inventors: **Frank Hakemeyer**, Horn-Bad Meinberg (DE); **Christian Starke**, Lemgo (DE); **Juergen Kleinschmidt**, Detmold (DE)

D563,902 S * 3/2008 Radau et al. D13/162
D566,049 S * 4/2008 Radau et al. D13/162
D567,191 S * 4/2008 Eichinger D13/171
D585,386 S * 1/2009 Detemple et al. D13/160
D588,552 S * 3/2009 Radau et al. D13/162
D595,239 S * 6/2009 Inoue et al. D13/158
D600,213 S * 9/2009 Inoue et al. D13/158

(73) Assignee: **Phoenix Contact GmbH & Co. KG**, Blomberg (DE)

* cited by examiner

(**) Term: **14 Years**

Primary Examiner—Daniel D Bui

Assistant Examiner—Thomas J Johannes

(21) Appl. No.: **29/346,208**

(74) *Attorney, Agent, or Firm*—Leydig, Voit & Mayer, Ltd.

(22) Filed: **Oct. 28, 2009**

(57) **CLAIM**

(30) **Foreign Application Priority Data**

The ornamental design for an adjusting device for the setpoint of an electric module, as shown and described.

Apr. 29, 2009 (EM) 001131940-0003

DESCRIPTION

(51) **LOC (9) Cl.** **13-03**

FIG. 1 is a front, right, top-side perspective view of the adjusting device for the setpoint of an electric module showing our new design;

(52) **U.S. Cl.** **D13/158**

FIG. 2 is a front view thereof;

(58) **Field of Classification Search** D13/110,

FIG. 3 is a top view thereof;

D13/123, 147, 151, 158, 162, 164, 184; D14/240,

FIG. 4 is a bottom view thereof;

D14/433, 434, 356–358; 439/344, 535–536,

FIG. 5 is a left side view thereof;

439/540.1, 638, 650, 660, 676; 361/686,

FIG. 6 is a right side view thereof; and,

361/728, 752; 370/216, 372, 392

FIG. 7 is a rear view thereof.

See application file for complete search history.

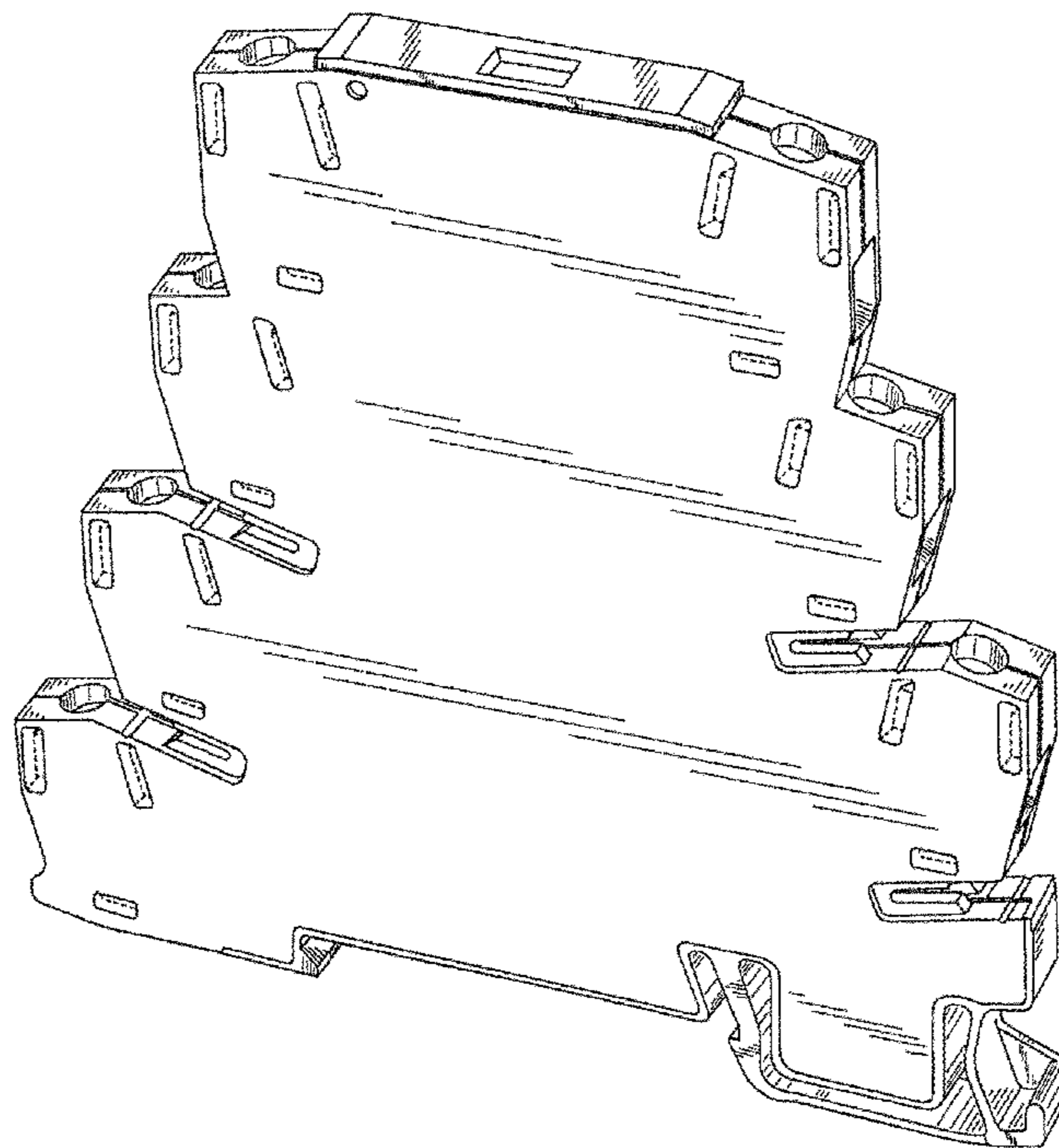
The broken line portion of the figure drawings is included to show unclaimed subject matter only and forms no part of the claimed design.

(56) **References Cited**

U.S. PATENT DOCUMENTS

5,848,917 A * 12/1998 Bechaz et al. 439/716
D428,600 S * 7/2000 Futami et al. D13/162
D529,453 S * 10/2006 Schurr et al. D13/184
D548,193 S * 8/2007 Sandgren et al. D13/162

1 Claim, 5 Drawing Sheets



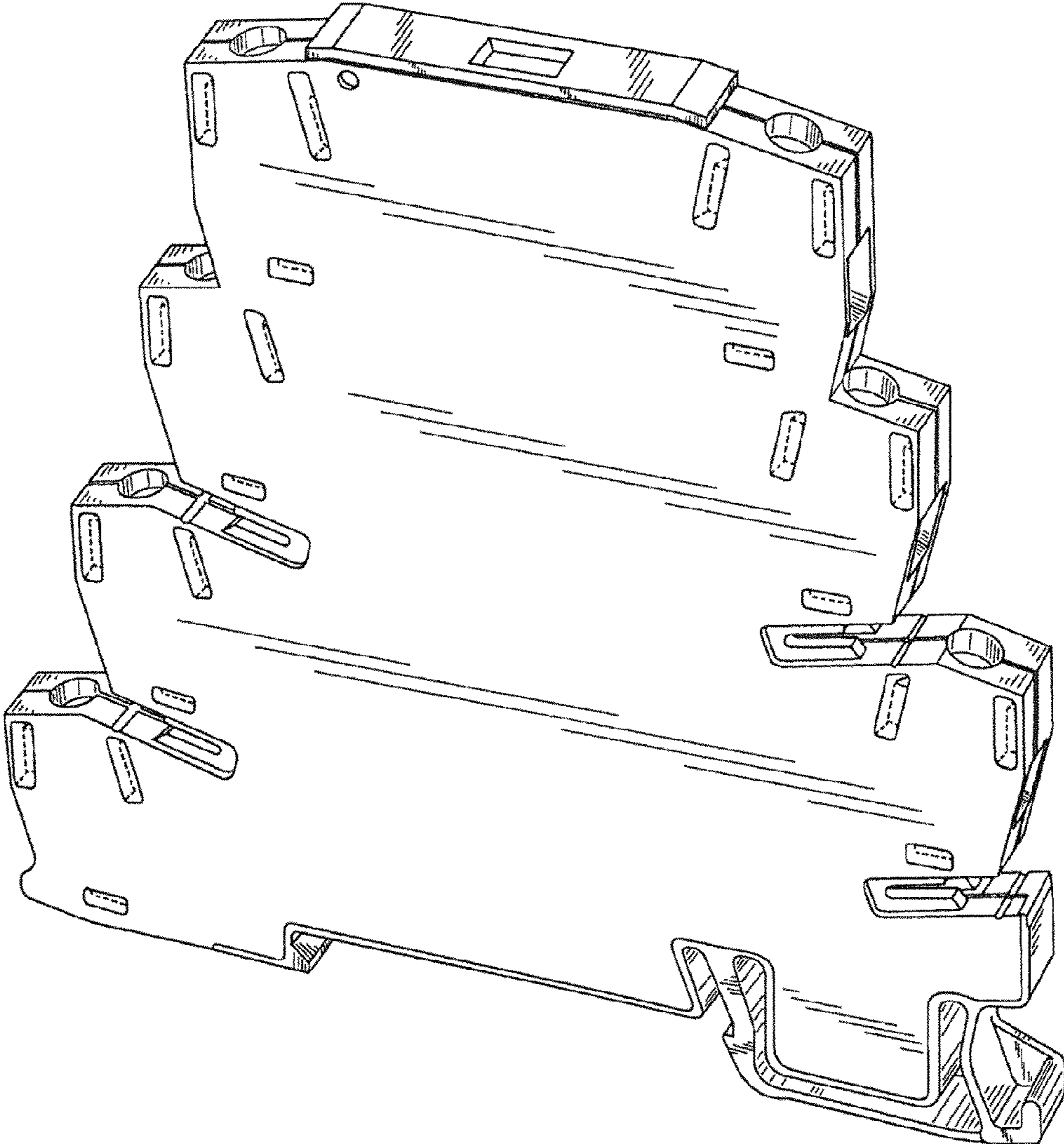


FIG. 1

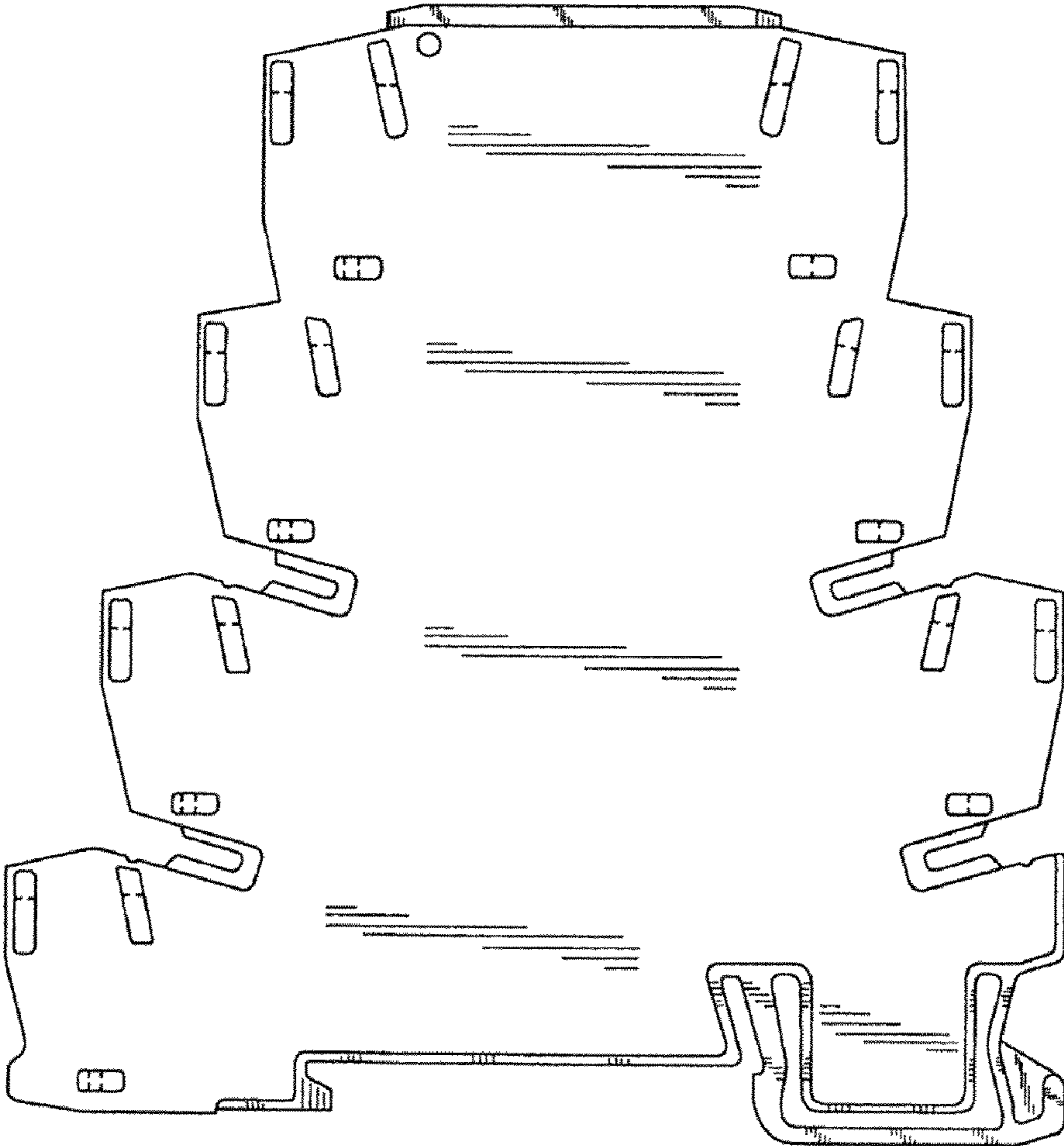


FIG. 2

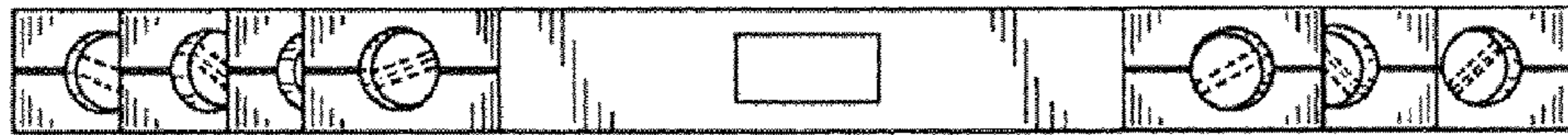


FIG. 3

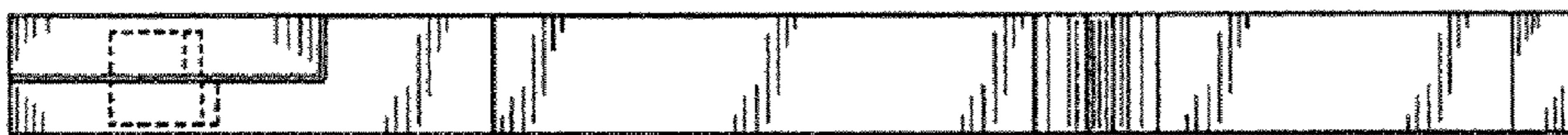


FIG. 4

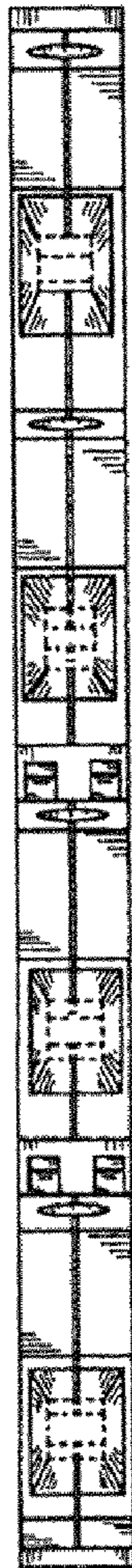


FIG. 5



FIG. 6

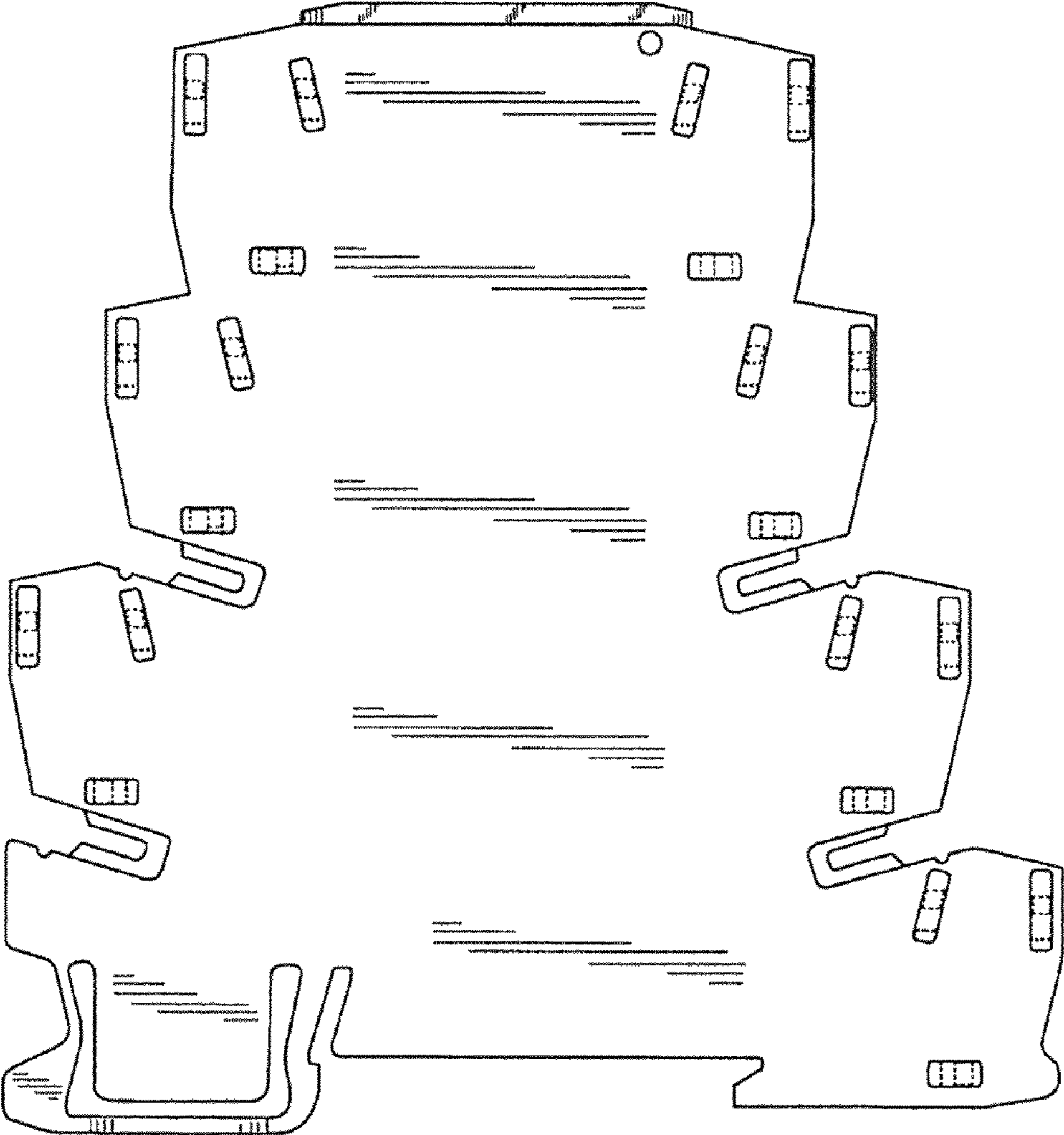


FIG. 7