

US00D626514S

(12) **United States Design Patent**
Hong

(10) **Patent No.:** **US D626,514 S**

(45) **Date of Patent:** **** Nov. 2, 2010**

(54) **TERMINAL OF CARD SOCKET**

JP 2003178839 A 6/2003

* cited by examiner

(75) Inventor: **Seung-Mo Hong**, Seoul (KR)

Primary Examiner—Daniel D Bui

(73) Assignee: **Tyco Electronics AMP Korea Ltd.**,
Kyungsangbuk-Do (KR)

(74) *Attorney, Agent, or Firm*—Barley Snyder, LLC

(**) Term: **14 Years**

(57) **CLAIM**

(21) Appl. No.: **29/341,821**

The ornamental design for a terminal of card socket, as shown and described.

(22) Filed: **Aug. 13, 2009**

DESCRIPTION

(30) **Foreign Application Priority Data**

Feb. 19, 2009 (KR) 30-2009-0007005

FIG. 1 is a top, front, and left side perspective view of a terminal of a card socket, showing my new design;

(51) **LOC (9) Cl.** **13-03**

FIG. 2 is a front elevation view thereof;

(52) **U.S. Cl.** **D13/154**

FIG. 3 is a rear elevation view thereof;

(58) **Field of Classification Search** D13/133,
D13/149, 154, 184; 439/839, 845, 849–852,
439/861–862, 884–885, 888–891

FIG. 4 is a left side elevation view thereof;

See application file for complete search history.

FIG. 5 is a right side elevation view thereof;

(56) **References Cited**

FIG. 6 is a top plan view thereof;

U.S. PATENT DOCUMENTS

FIG. 7 is a bottom plan view thereof;

D218,099 S * 7/1970 Lynch et al. D13/133

FIG. 8 is a top, front, and left side perspective view thereof, in use condition;

D232,557 S * 8/1974 Michel et al. D13/154

FIG. 9 is an exploded top, front, and left side perspective view thereof shown with another electrical contact; and,

D337,991 S * 8/1993 Linton et al. D13/133

FIG. 10 is a top, front, and left side perspective view thereof shown with another electrical contact.

D354,268 S * 1/1995 Siemon et al. D13/133

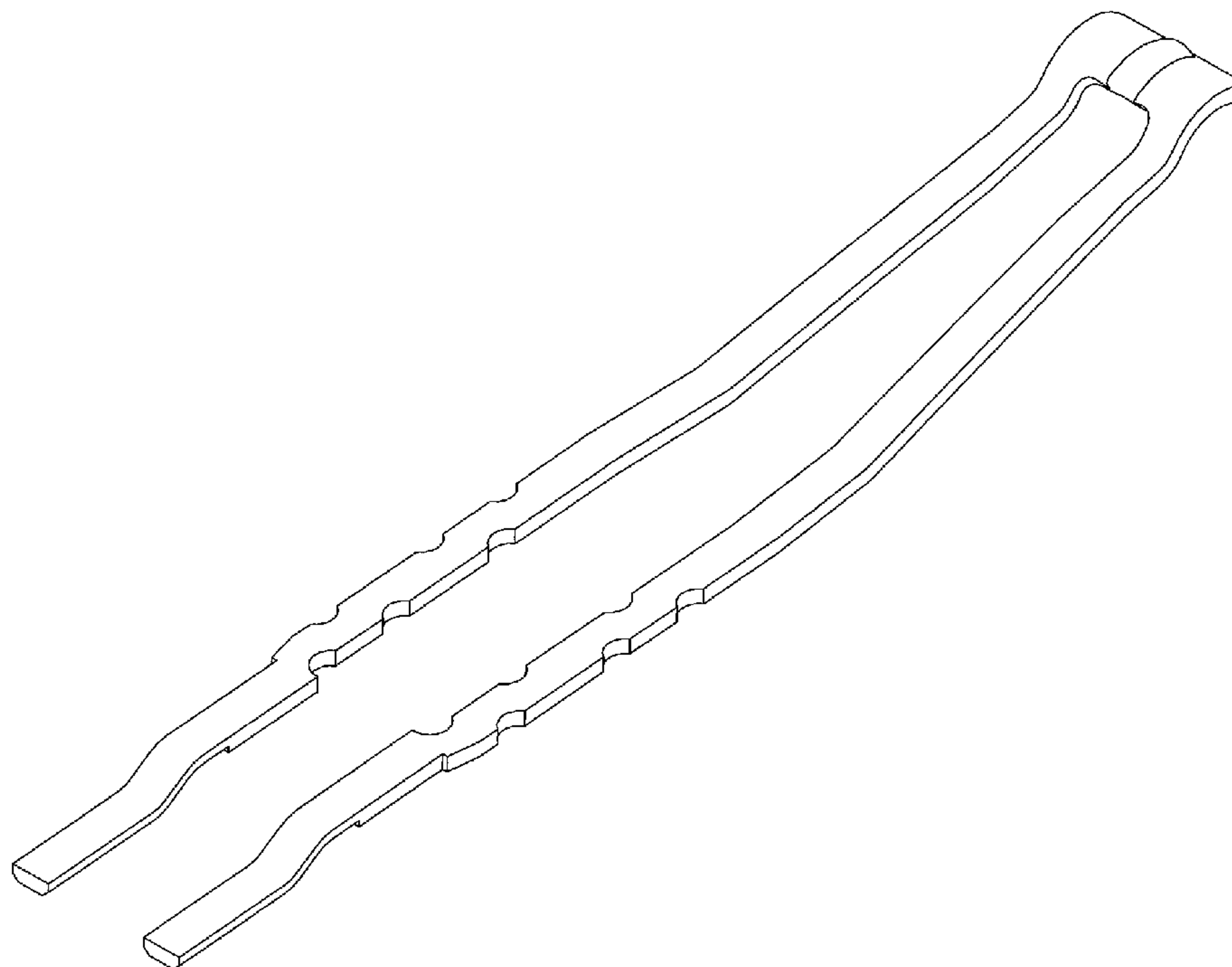
The broken lines are included for the purpose of illustrating environment and forms no part of the claimed design.

D504,665 S * 5/2005 Lai et al. D13/154

FOREIGN PATENT DOCUMENTS

JP 2002055738 A 2/2002

1 Claim, 9 Drawing Sheets



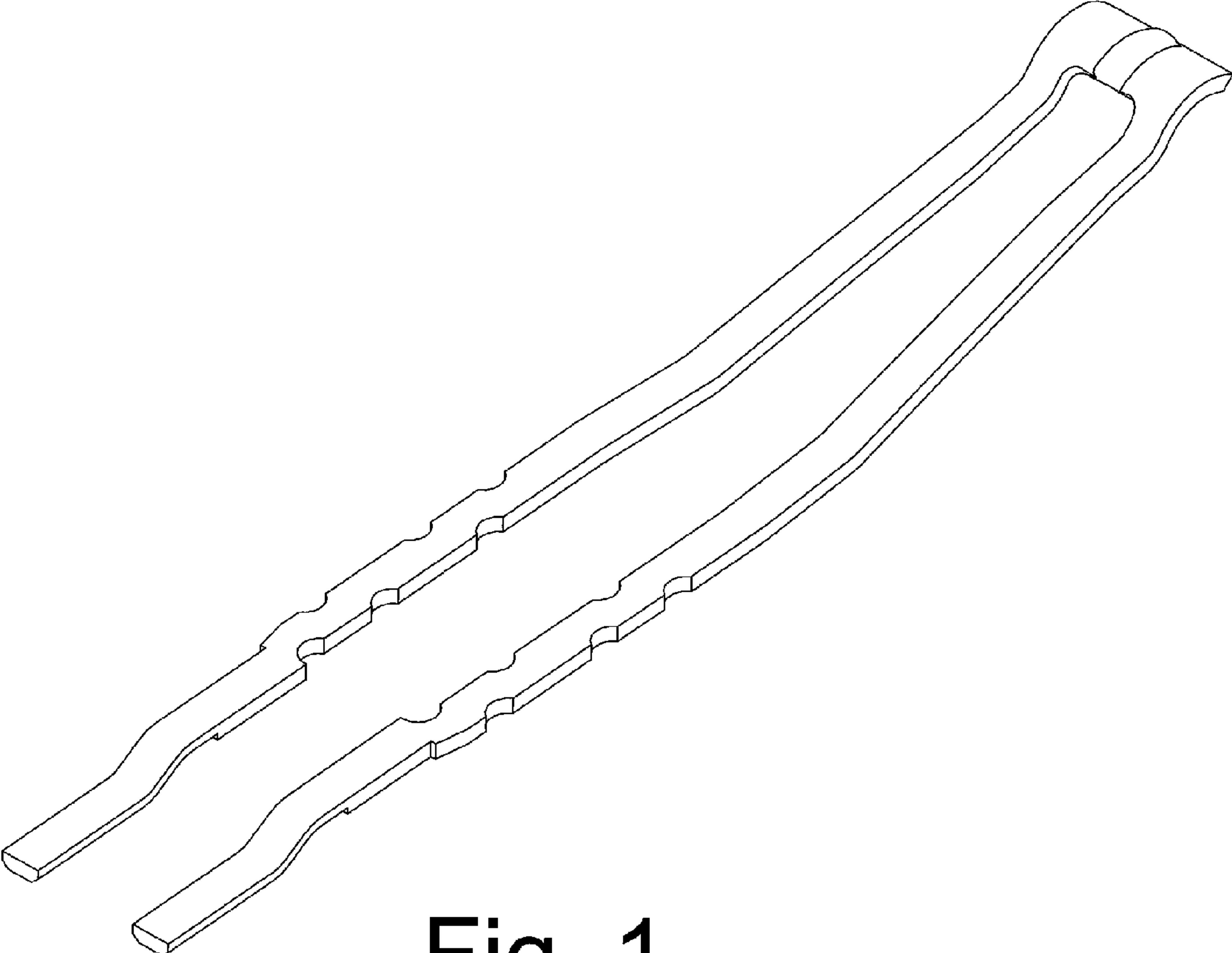


Fig. 1

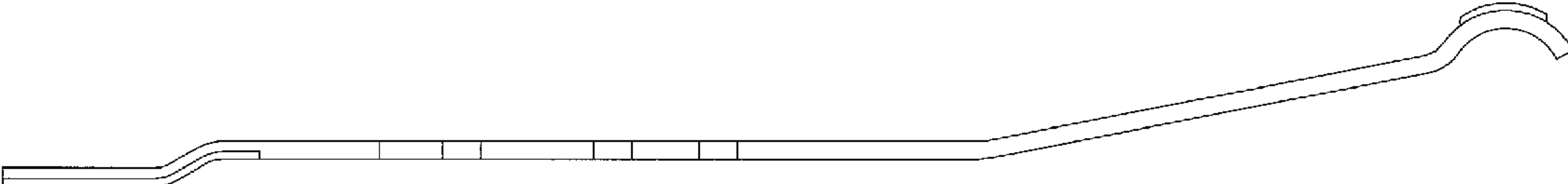


Fig. 2

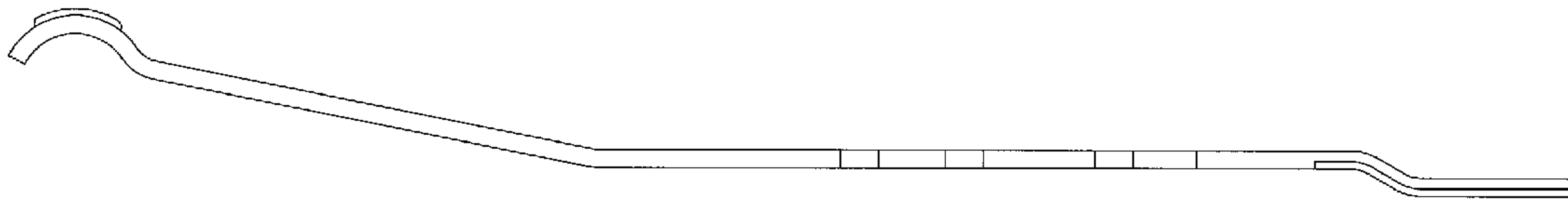


Fig. 3

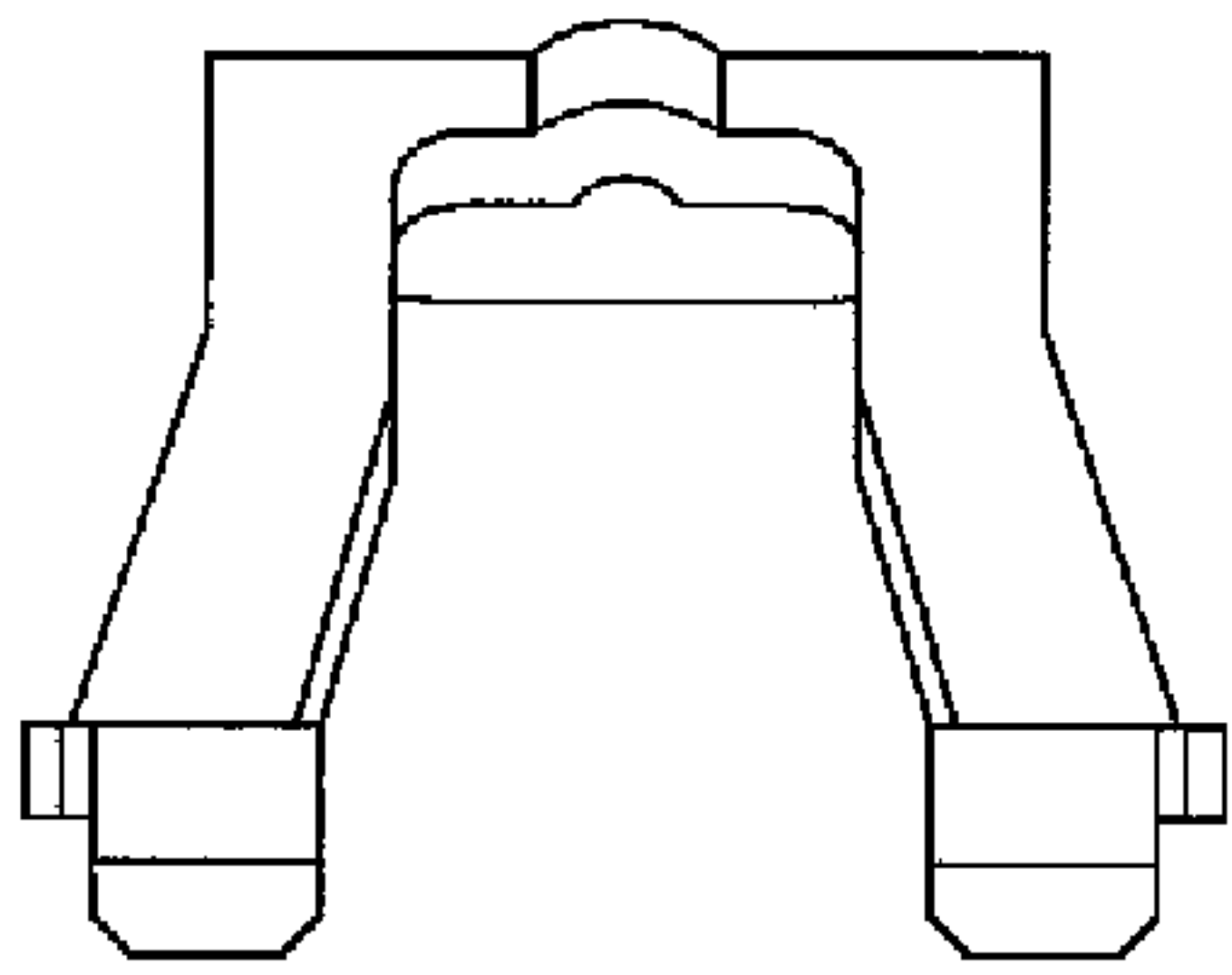


Fig. 4

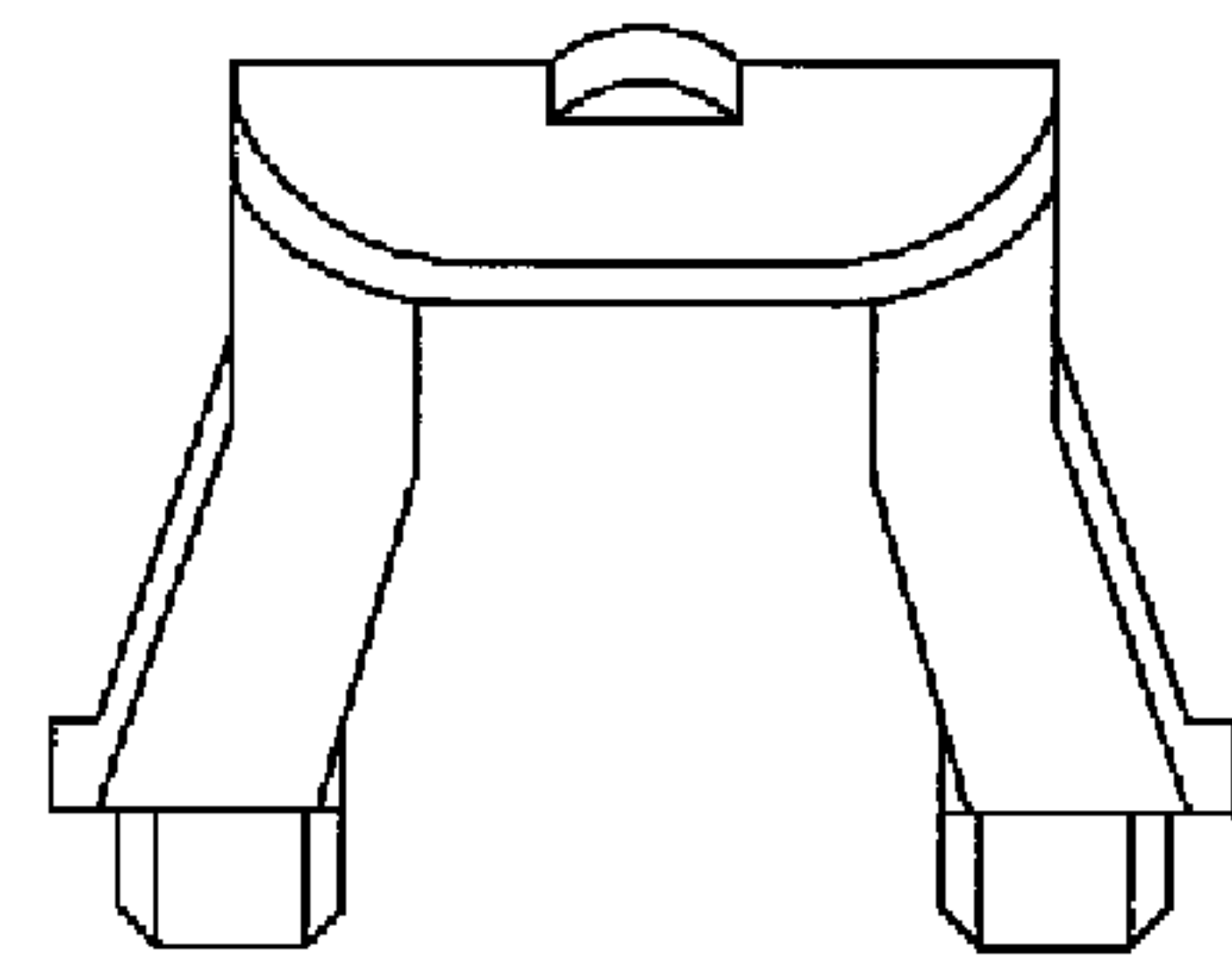


Fig. 5

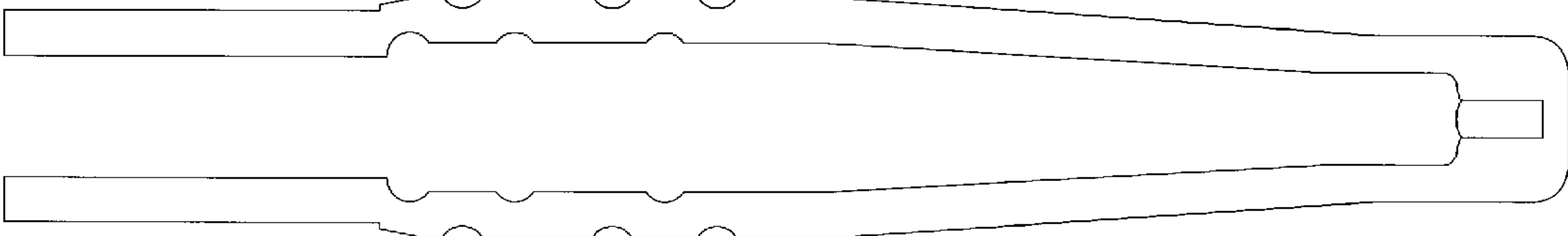


Fig. 6

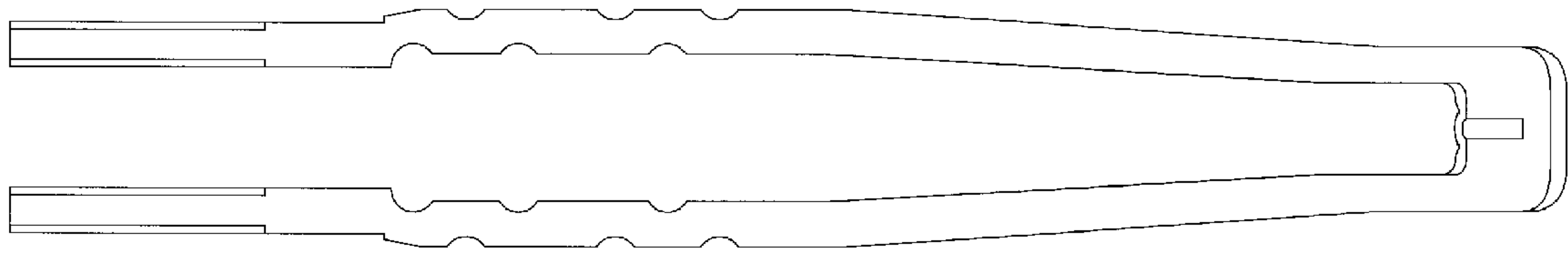


Fig. 7

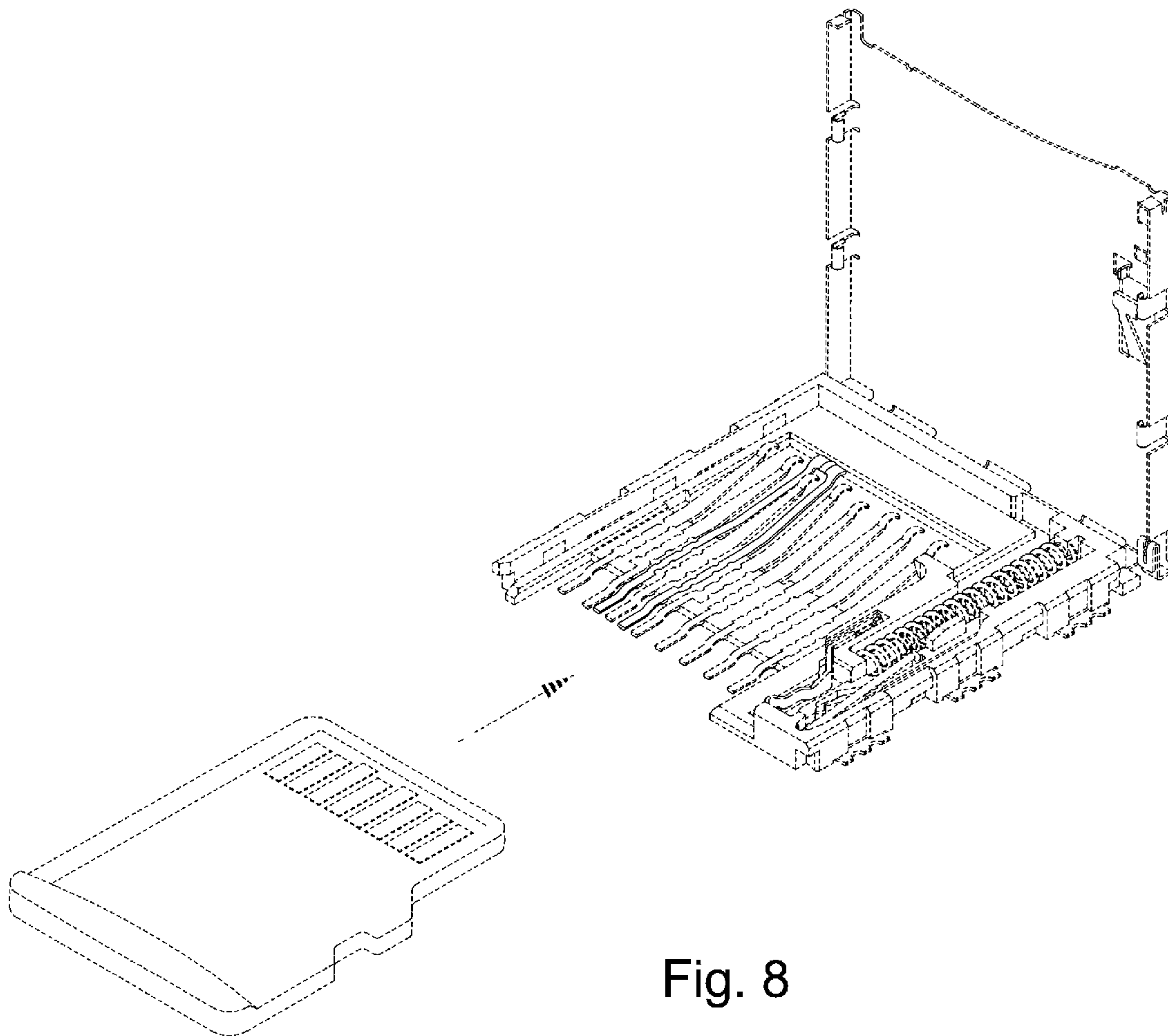


Fig. 8

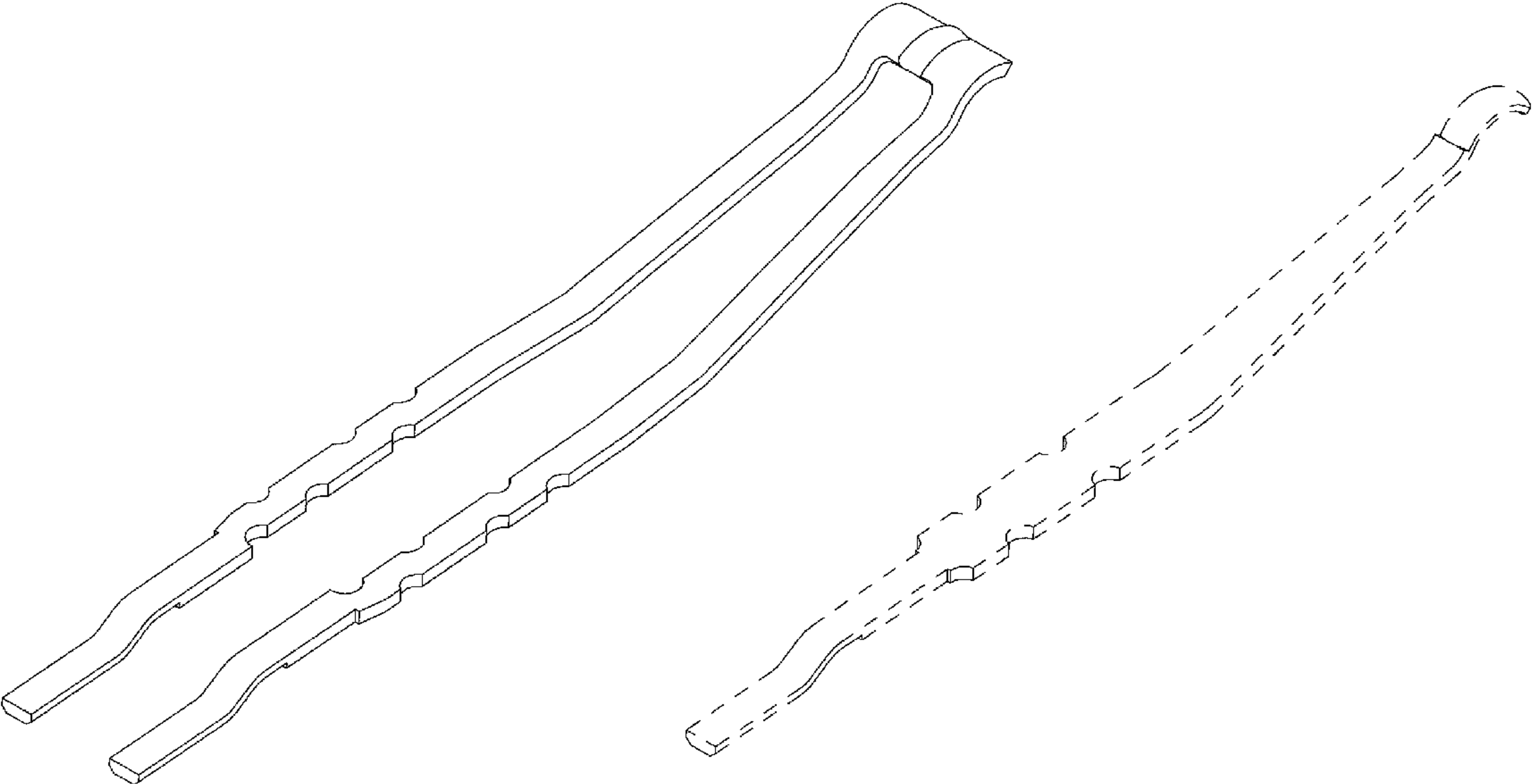


Fig. 9

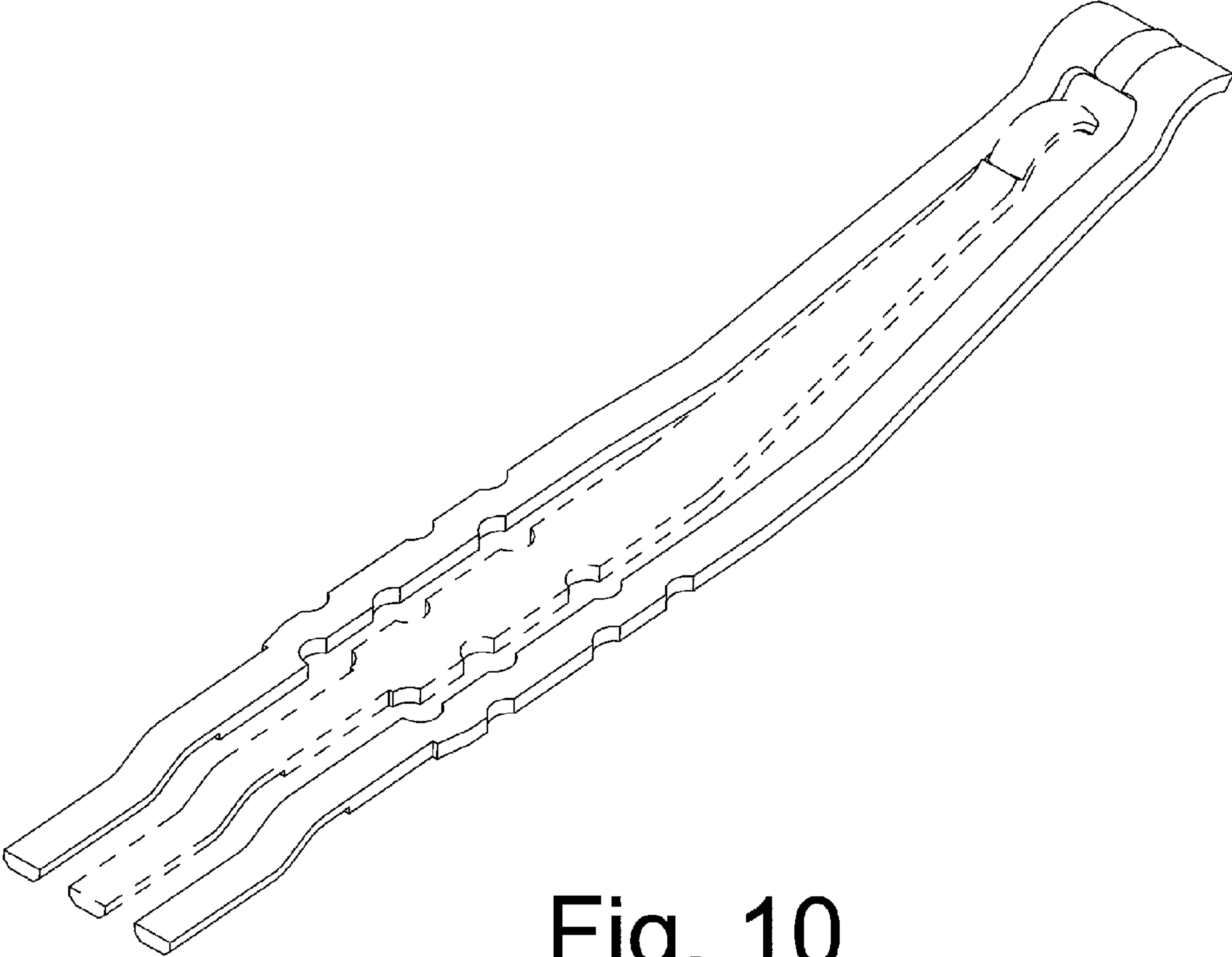


Fig. 10

UNITED STATES PATENT AND TRADEMARK OFFICE
CERTIFICATE OF CORRECTION

PATENT NO. : D626,514 S
APPLICATION NO. : 29/341821
DATED : November 2, 2010
INVENTOR(S) : Seung-Mo Hong

Page 1 of 1

It is certified that error appears in the above-identified patent and that said Letters Patent is hereby corrected as shown below:

In cover sheet column 2 under Description, FIG. 9, "is an exploded top, front" should read
-- is a top, front --.

Signed and Sealed this
Third Day of May, 2011

A handwritten signature in black ink that reads "David J. Kappos". The signature is written in a cursive, slightly slanted style.

David J. Kappos
Director of the United States Patent and Trademark Office