



US00D626510S

(12) **United States Design Patent**
Kondo

(10) **Patent No.:** **US D626,510 S**

(45) **Date of Patent:** **** Nov. 2, 2010**

(54) **ELECTRICAL CONNECTOR**

(75) Inventor: **Hayato Kondo, Yao (JP)**

(73) Assignee: **Hosiden Corporation, Osaka (JP)**

(**) Term: **14 Years**

(21) Appl. No.: **29/340,912**

(22) Filed: **Jul. 28, 2009**

(30) **Foreign Application Priority Data**

Jan. 28, 2009	(JP)	2009-001583
Feb. 16, 2009	(JP)	2009-002990
Feb. 18, 2009	(JP)	2009-003173

(51) **LOC (9) Cl.** **13-03**

(52) **U.S. Cl.** **D13/147**

(58) **Field of Classification Search** D13/147,
D13/154, 184; 439/108, 476.1, 483, 527,
439/533, 607-610, 892, 894
See application file for complete search history.

(56) **References Cited**

U.S. PATENT DOCUMENTS

D344,492 S	*	2/1994	Nakamura	D13/147
D345,343 S	*	3/1994	Nakamura	D13/147
D433,667 S	*	11/2000	Li et al.	D13/147
D590,776 S	*	4/2009	Kondo	D13/147

D602,873 S * 10/2009 Sasaki et al. D13/147
2009/0029575 A1 * 1/2009 Xiong et al. 439/83

* cited by examiner

Primary Examiner—Daniel D Bui

(74) *Attorney, Agent, or Firm*—Rankin, Hill & Clark LLP

(57) **CLAIM**

The ornamental design for an electrical connector, as shown and described.

DESCRIPTION

FIG. 1 is a front, right side and top perspective view of an electrical connector in accordance with my new design;

FIG. 2 is a rear, left side and bottom perspective view thereof;

FIG. 3 is a front elevation view thereof;

FIG. 4 is a rear view thereof;

FIG. 5 is a left side view thereof;

FIG. 6 is a right side view thereof;

FIG. 7 is a top plan view thereof; and,

FIG. 8 is a bottom plan view thereof.

The broken line portion of the figure drawings is included to show unclaimed subject matter only and forms no part of the claimed design.

1 Claim, 4 Drawing Sheets

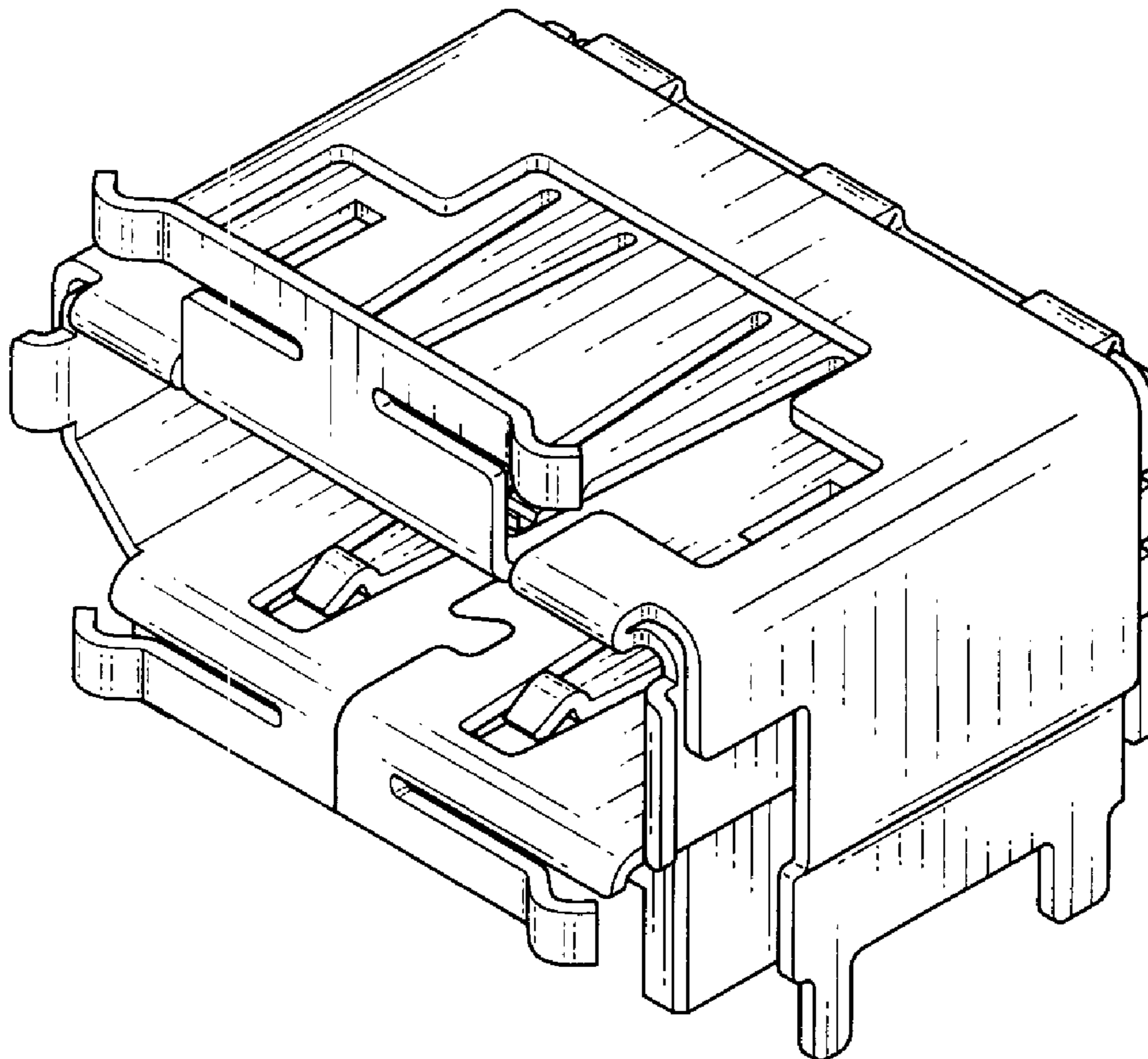


Fig. 1

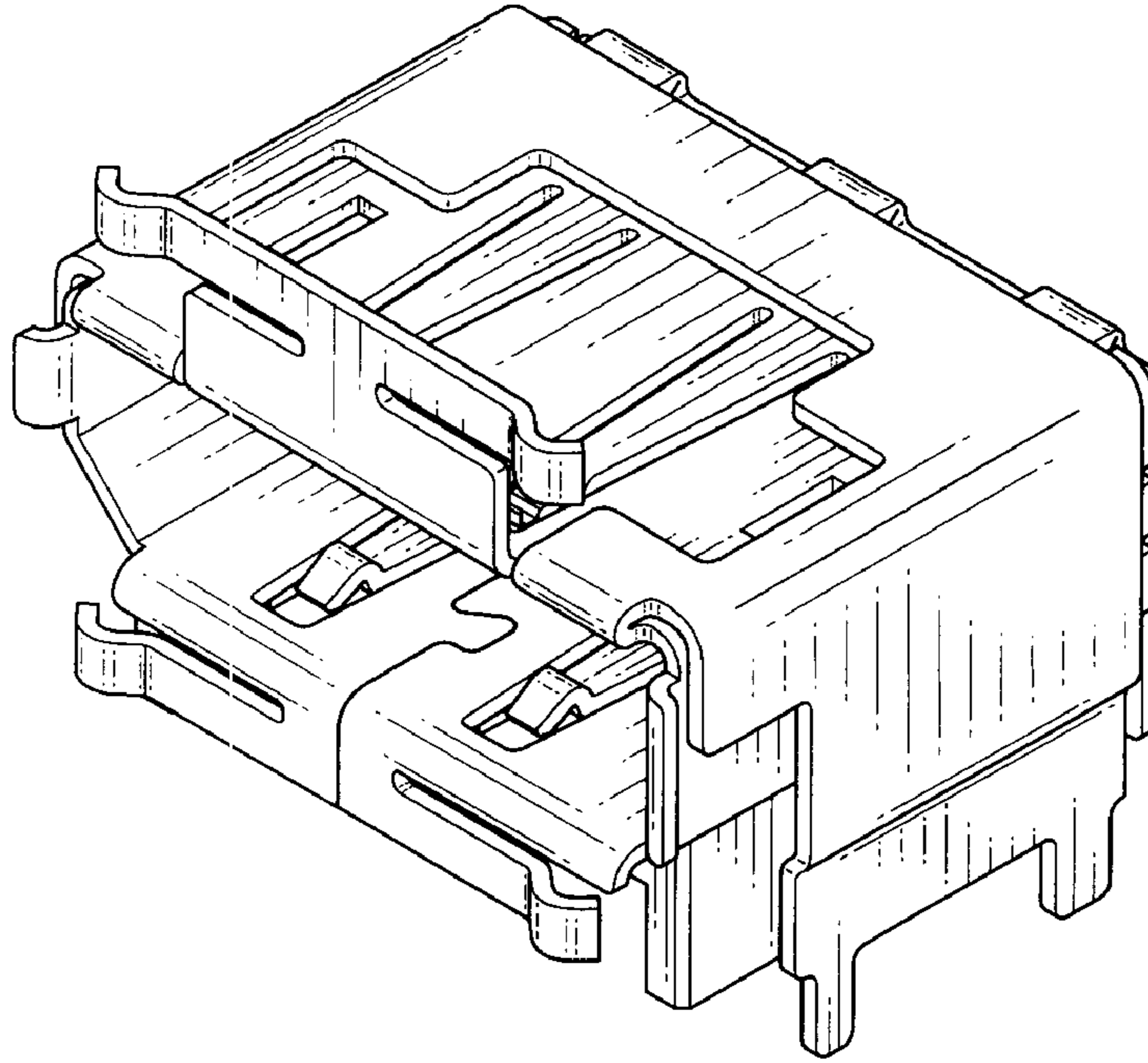


Fig. 2

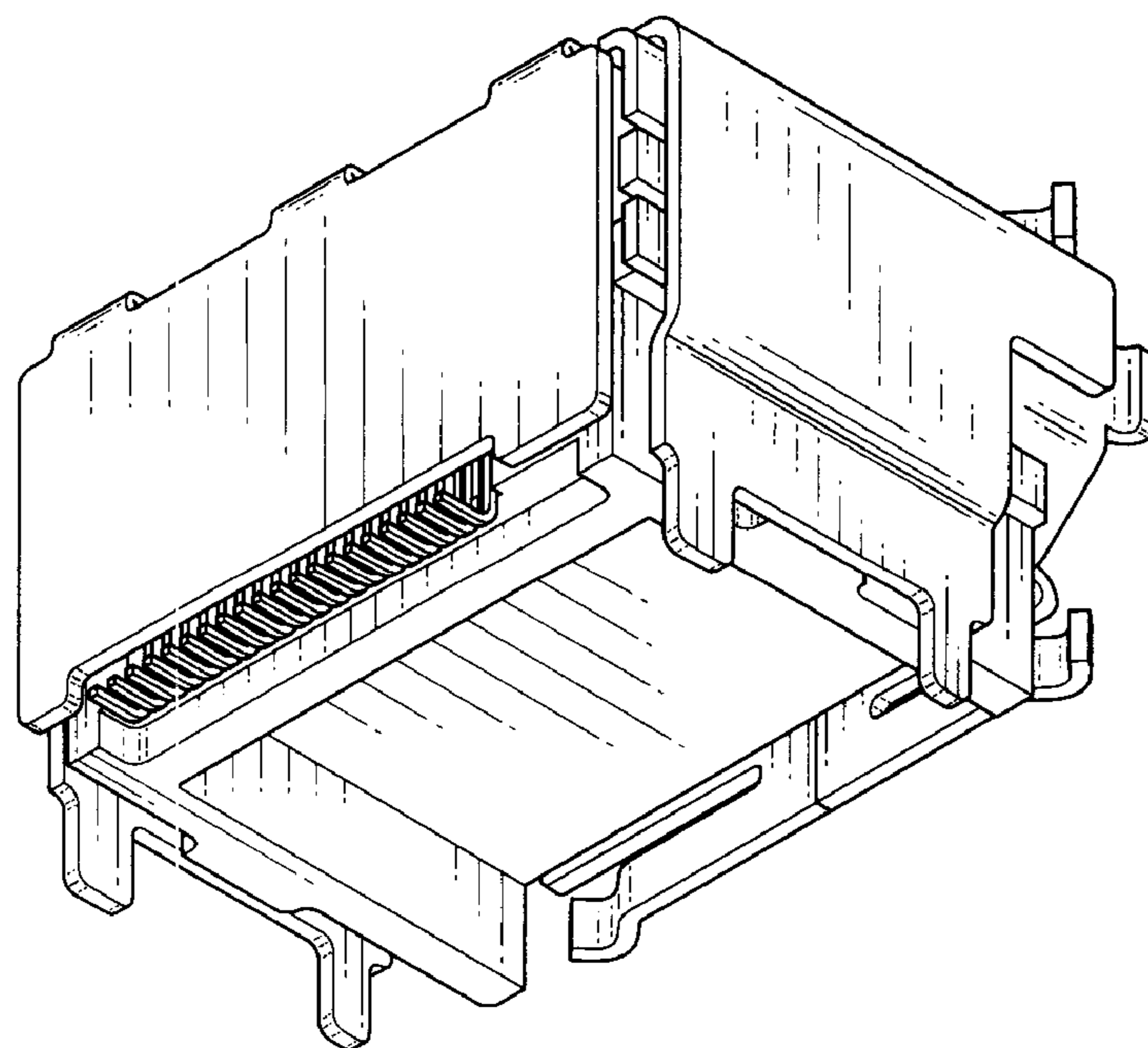


Fig. 3

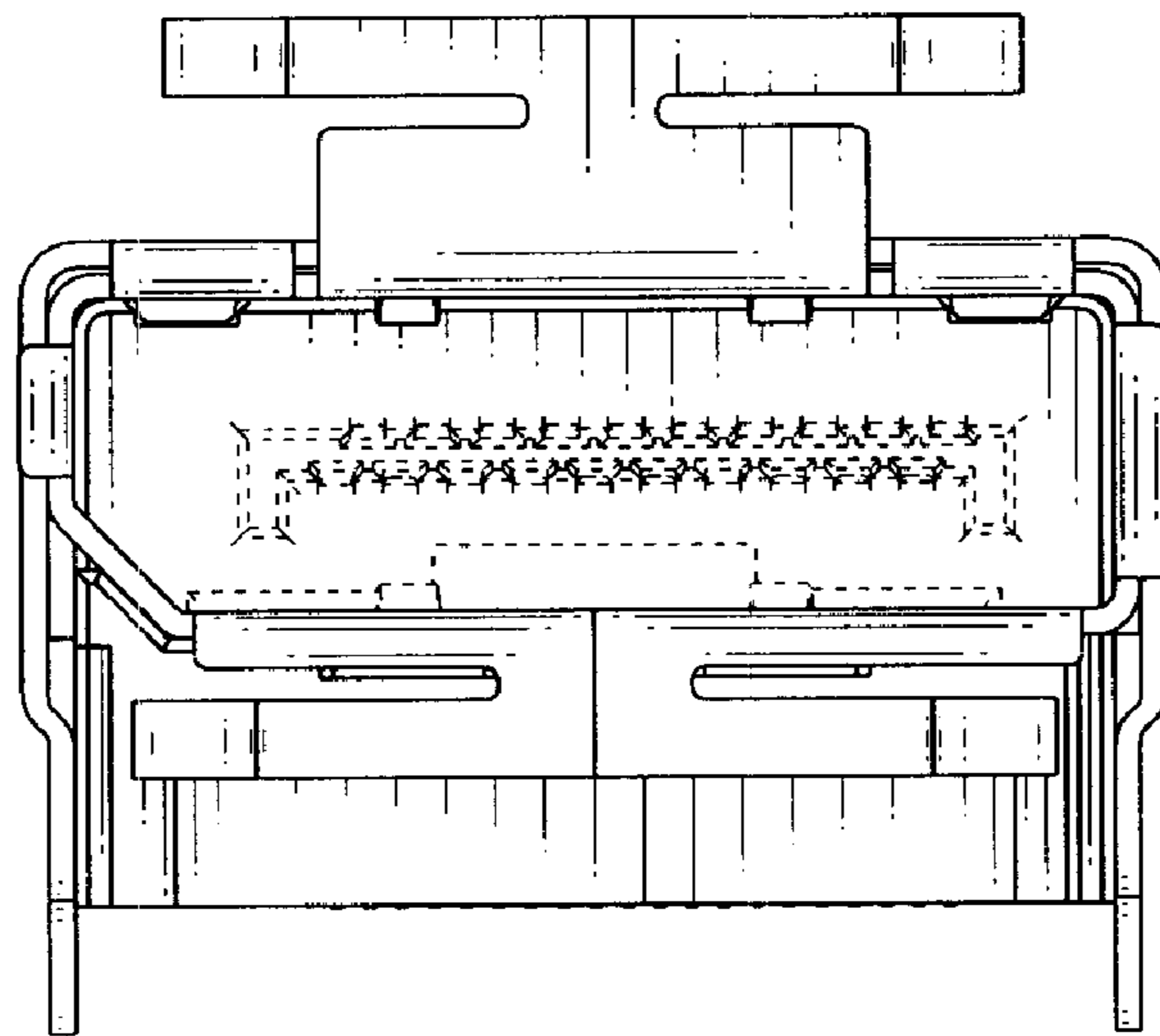


Fig. 4

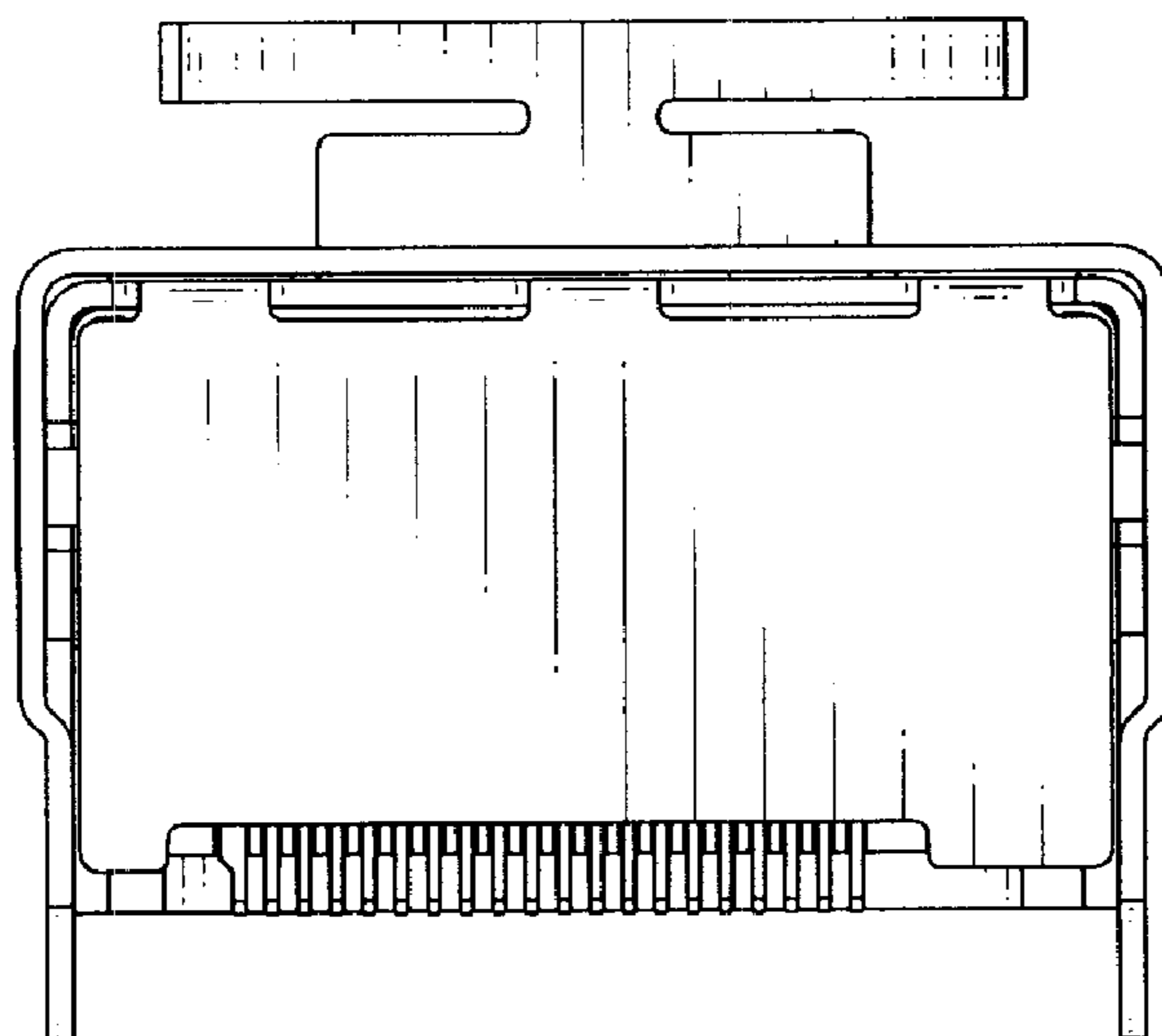


Fig. 5

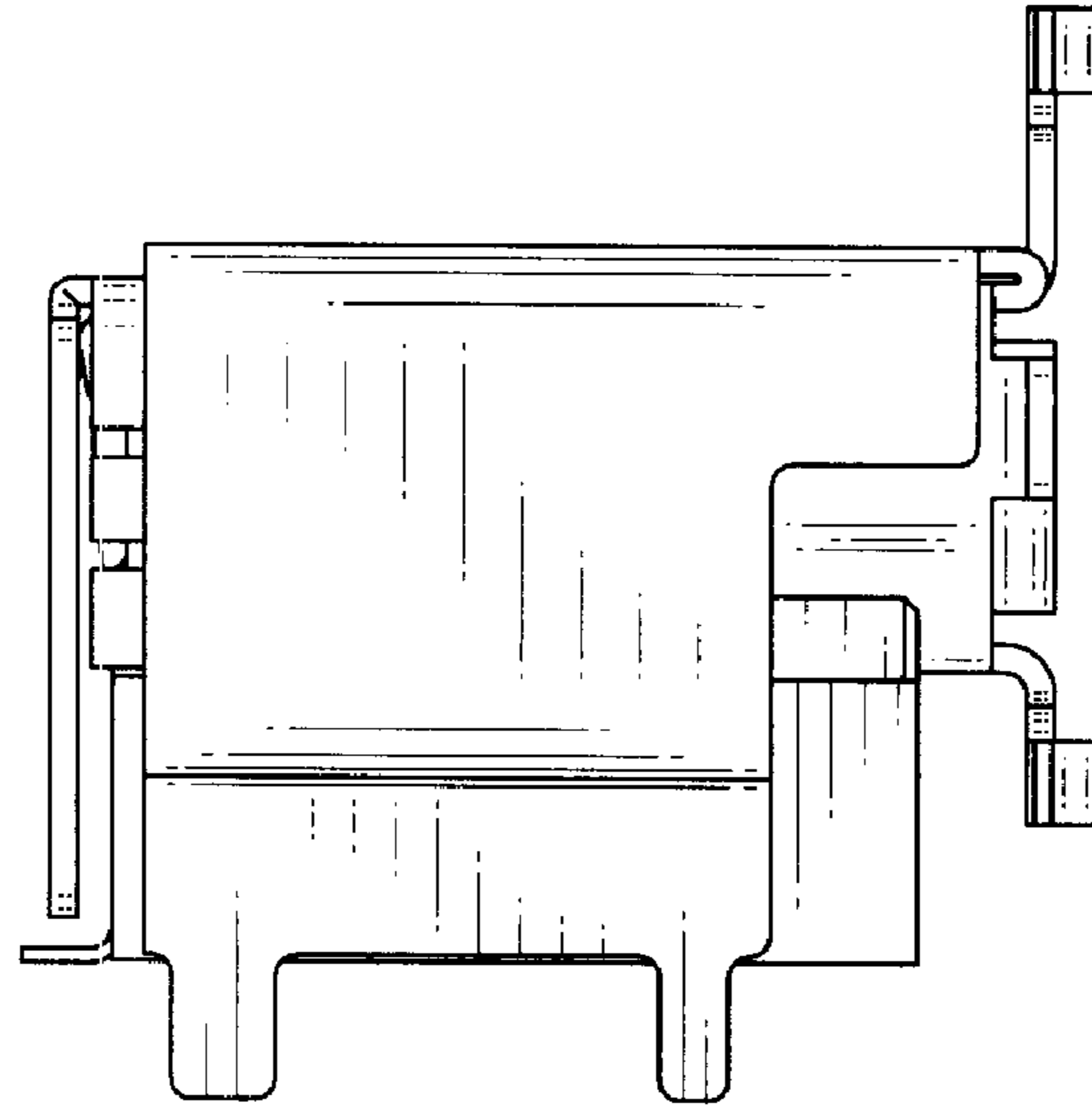


Fig. 6

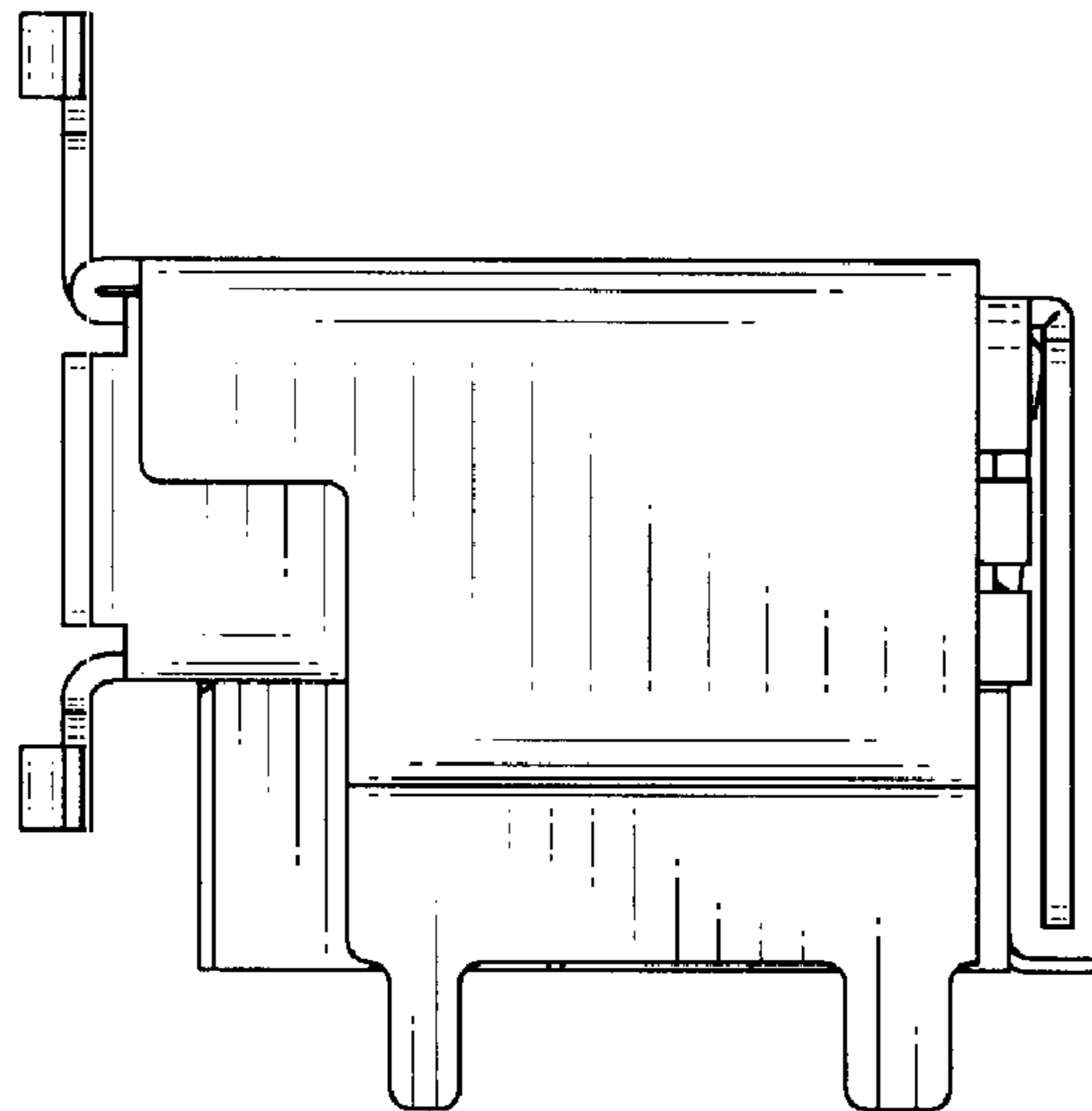


Fig. 7

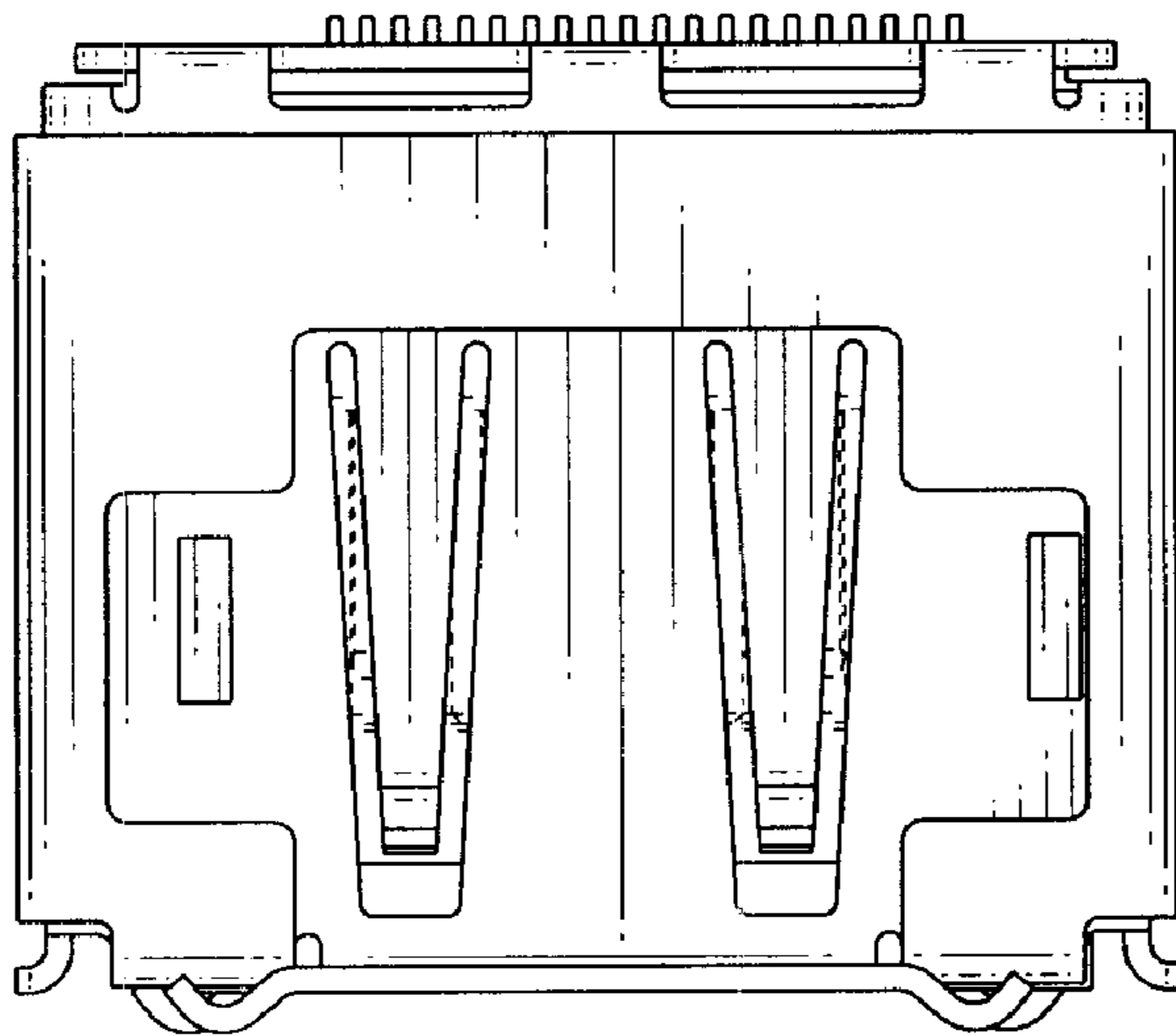


Fig. 8

