



US00D626509S

(12) **United States Design Patent**
Severing

(10) **Patent No.:** **US D626,509 S**

(45) **Date of Patent:** **** Nov. 2, 2010**

(54) **VERTICAL CONNECTION SPRING-CAGE
PCB TERMINAL BLOCK**

Primary Examiner—Daniel D Bui
(74) *Attorney, Agent, or Firm*—Leydig, Voit & Mayer, Ltd.

(75) Inventor: **Sven Severing**, Bielefeld (DE)

(57) **CLAIM**

(73) Assignee: **Phoenix Contact GmbH & Co. KG**,
Blomberg (DE)

The ornamental design for a vertical connection spring-cage
PCB terminal block, as shown and described.

(**) Term: **14 Years**

DESCRIPTION

(21) Appl. No.: **29/330,973**

FIG. 1 is a top, front, and left side perspective view of the
vertical connection spring cage PCB terminal block, showing
my new design;

(22) Filed: **Jan. 16, 2009**

FIG. 2 is a front elevational view thereof;

(30) **Foreign Application Priority Data**

FIG. 3 is a right side elevational view thereof;

Jul. 16, 2008 (EM) 000970777-0001
Jul. 16, 2008 (EM) 000970777-0003

FIG. 4 is a left side elevational view thereof;

(51) **LOC (9) Cl.** **13-03**

FIG. 5 is a rear elevational view thereof;

(52) **U.S. Cl.** **D13/147**

FIG. 6 is a bottom plan view thereof;

(58) **Field of Classification Search** D13/133,
D13/146–147, 154, 184; 439/607–610, 663,
439/680, 681

FIG. 7 is a top plan view thereof;

See application file for complete search history.

FIG. 8 is a top, front, and left side perspective view of an
alternative embodiment of three of the vertical connection
spring-cage PCB terminal blocks in a stacked configuration;

(56) **References Cited**

FIG. 9 is a front elevational view thereof;

U.S. PATENT DOCUMENTS

FIG. 10 is a right side elevational view thereof;

D360,620 S * 7/1995 Gehrs et al. D13/184
D461,771 S * 8/2002 Zhao et al. D13/133
D498,463 S * 11/2004 Lin et al. D13/147
D507,241 S * 7/2005 Koessler D13/152

FIG. 11 is a left side elevational view thereof;

OTHER PUBLICATIONS

FIG. 12 is a rear elevational view thereof;

Co-pending U.S. Appl. No. 29/330,979, filed on Jan. 16, 2009,
entitled: "Horizontal connection spring-cage PCB terminal block".

FIG. 13 is a bottom plan view thereof; and,

FIG. 14 is a top plan view thereof.

The broken line portion in the drawing views is included to
show unclaimed subject matter only and forms no part of the
claimed design.

* cited by examiner

1 Claim, 14 Drawing Sheets

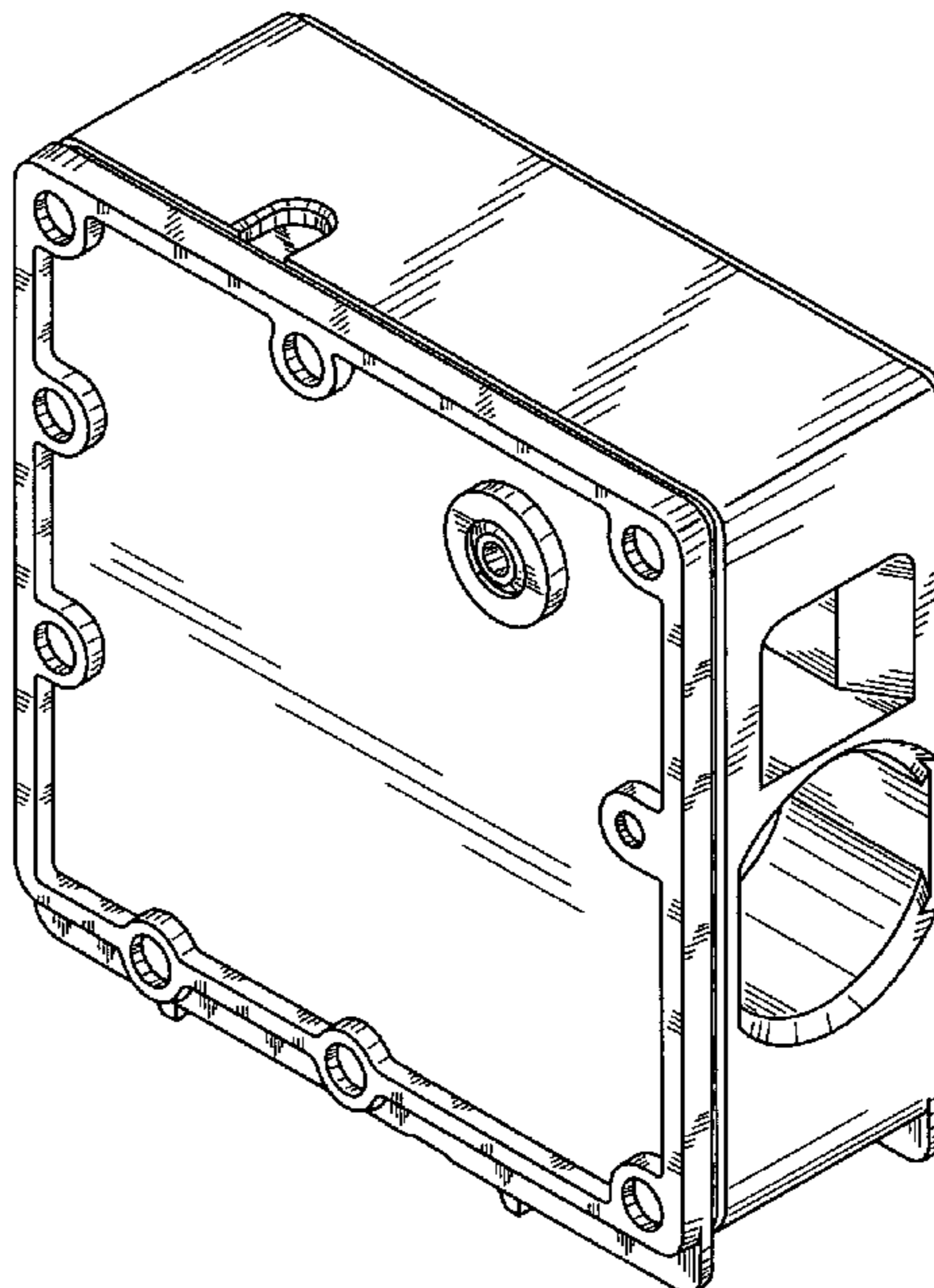


FIG. 1

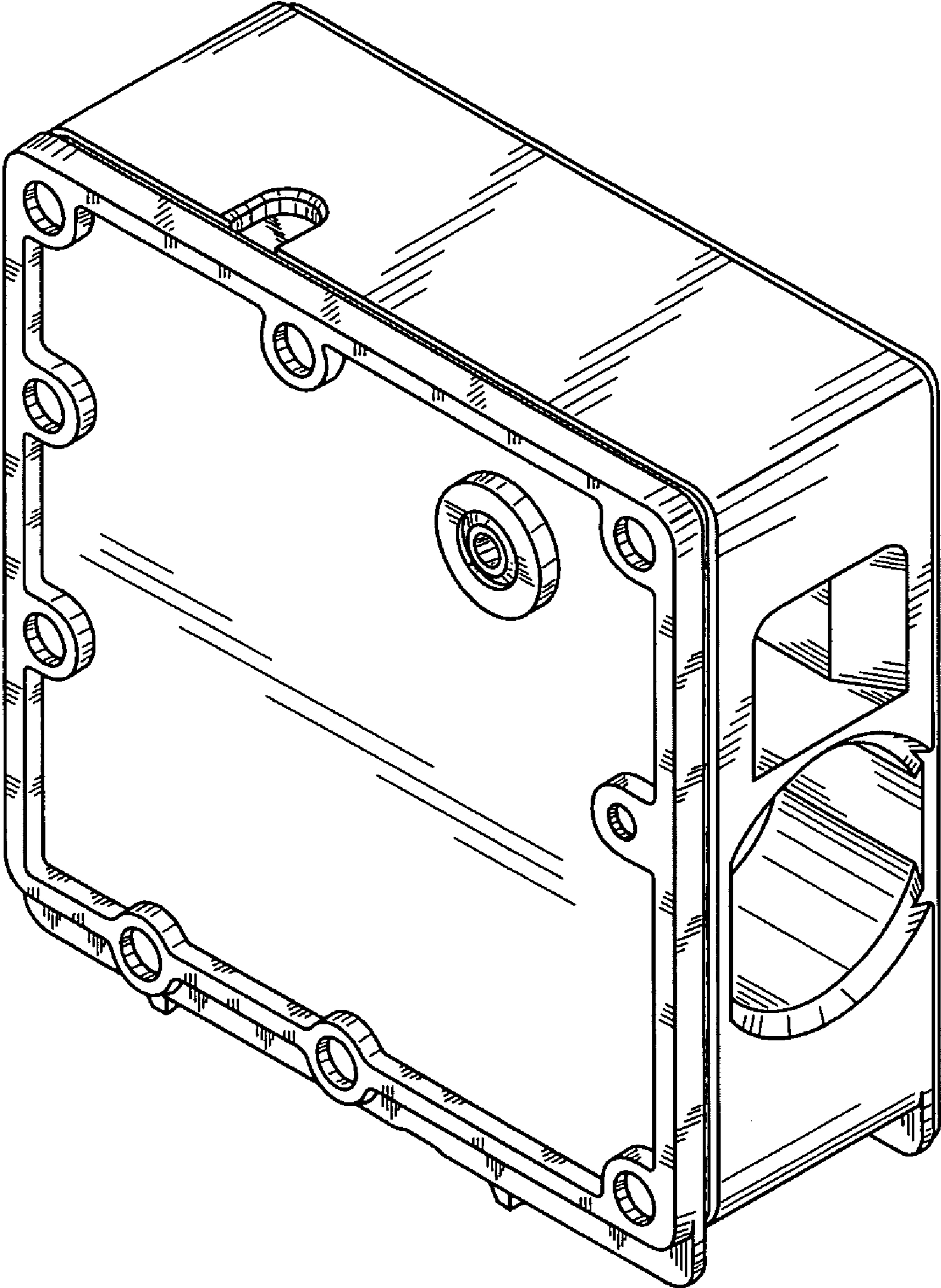


FIG. 2

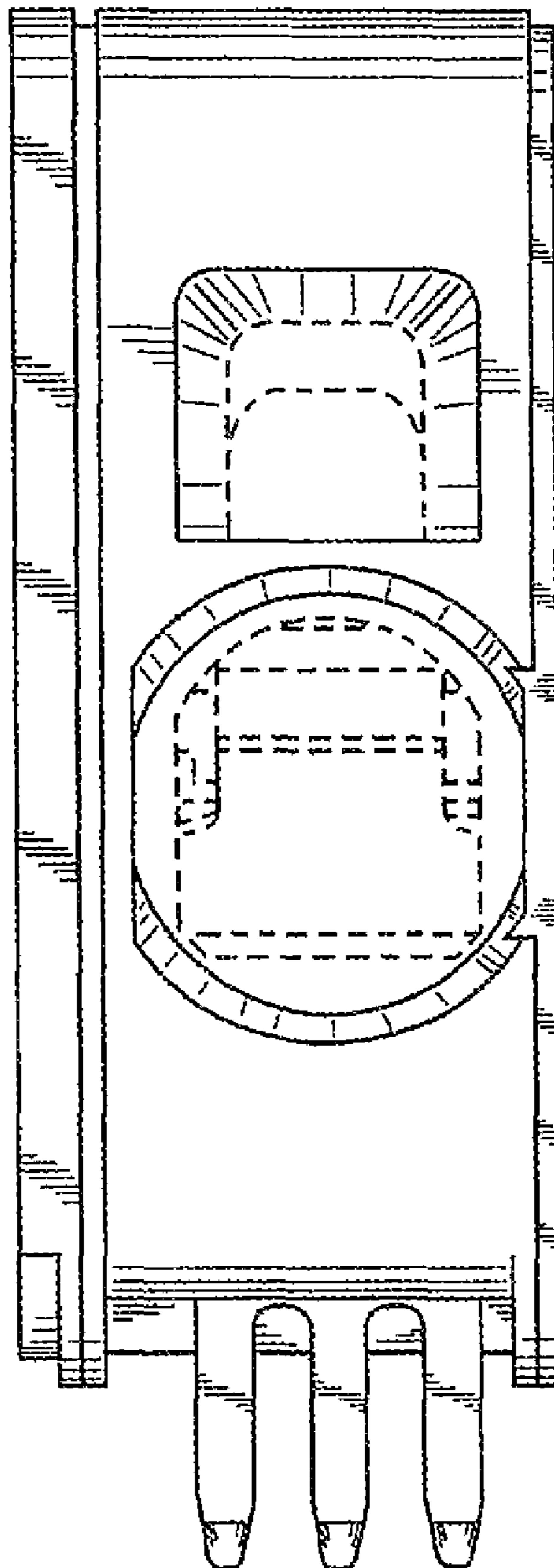


FIG. 3

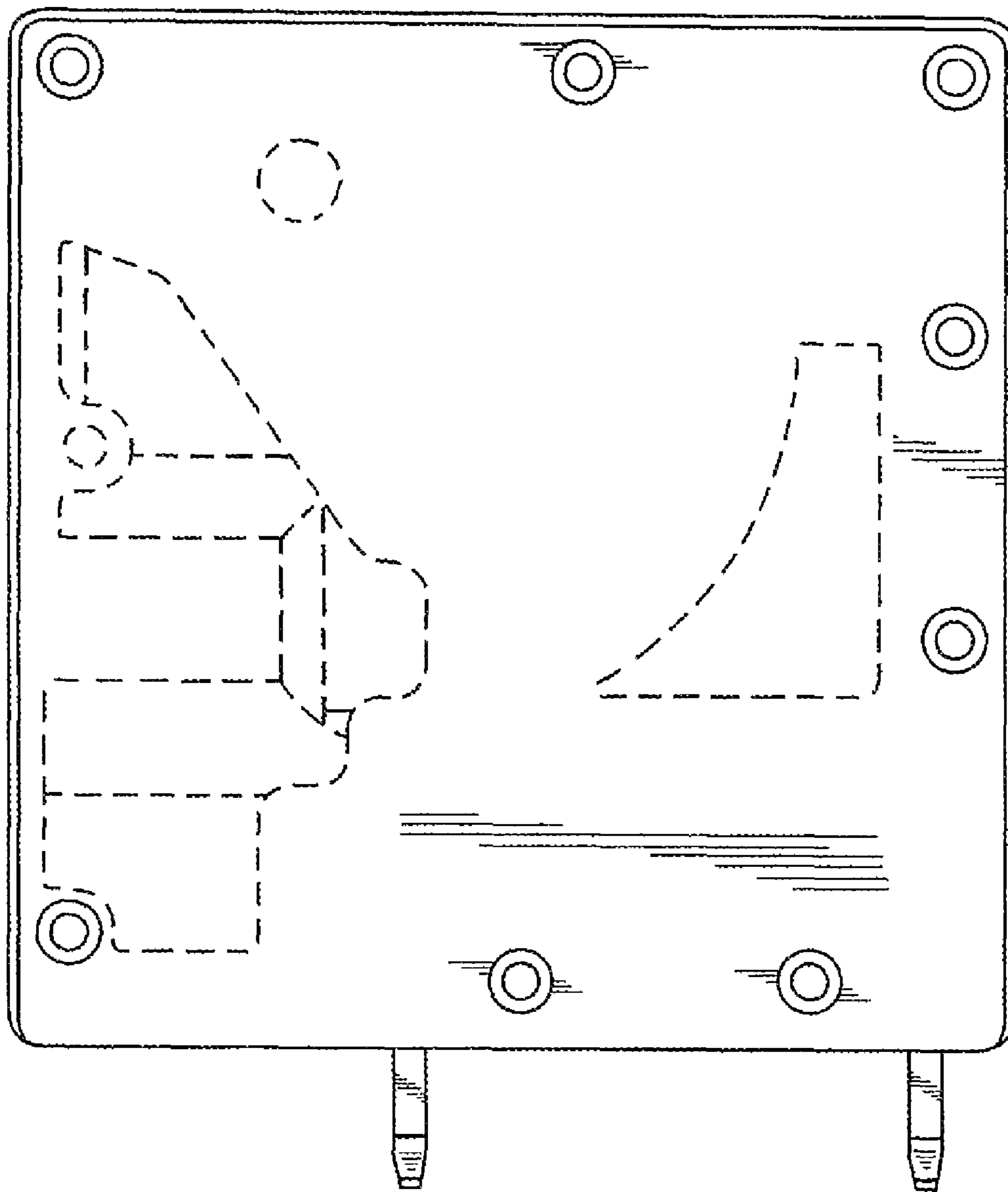


FIG. 4

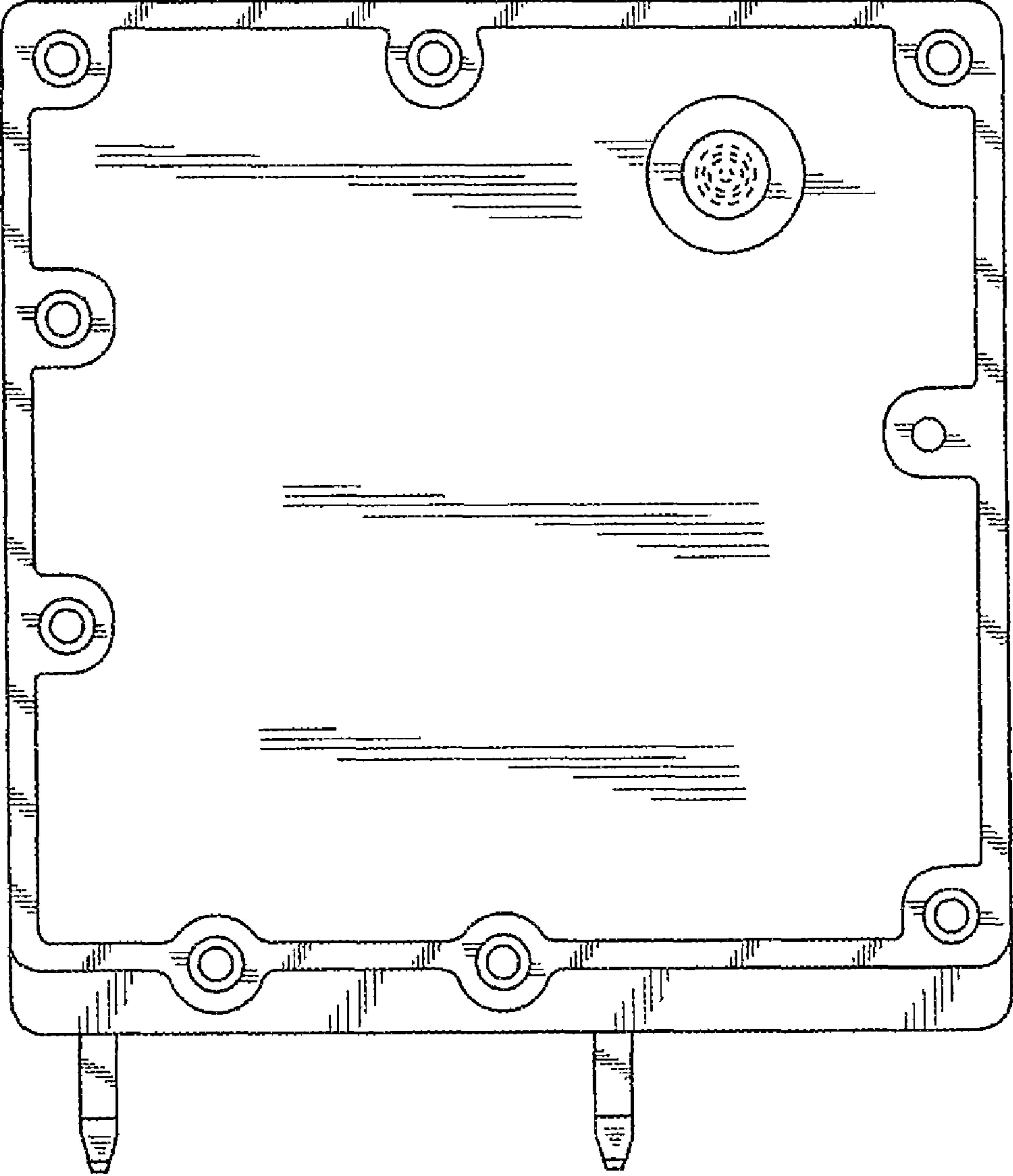


FIG. 5

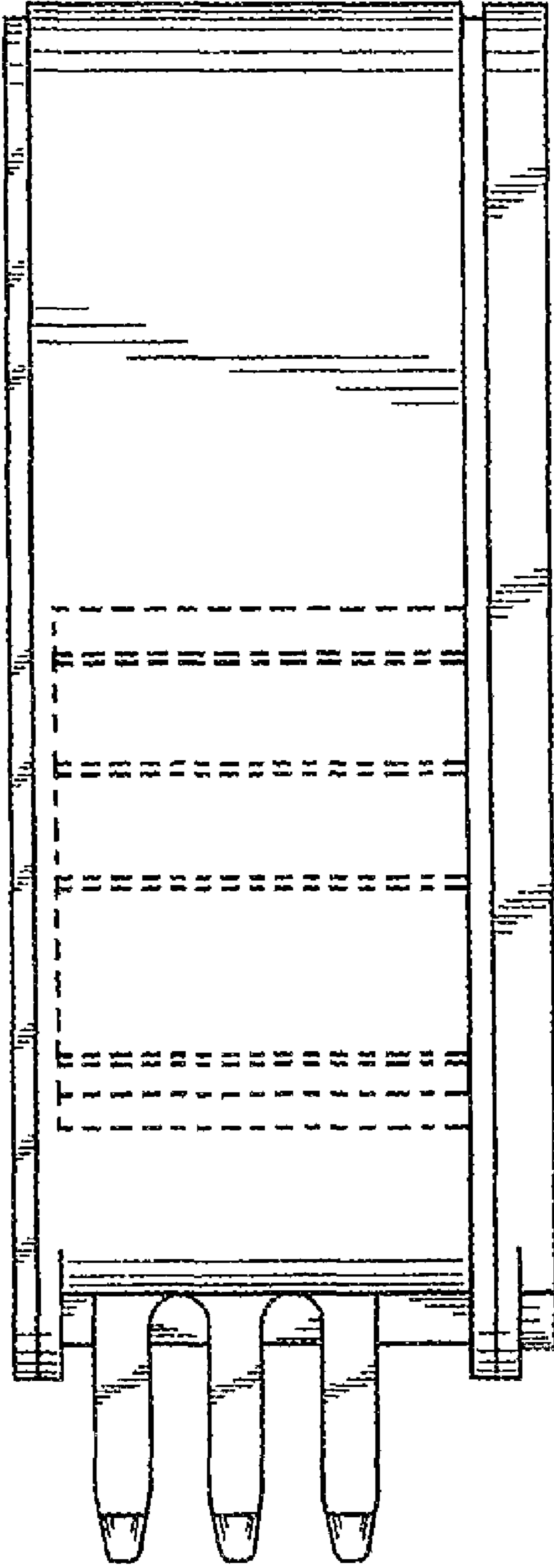


FIG. 6

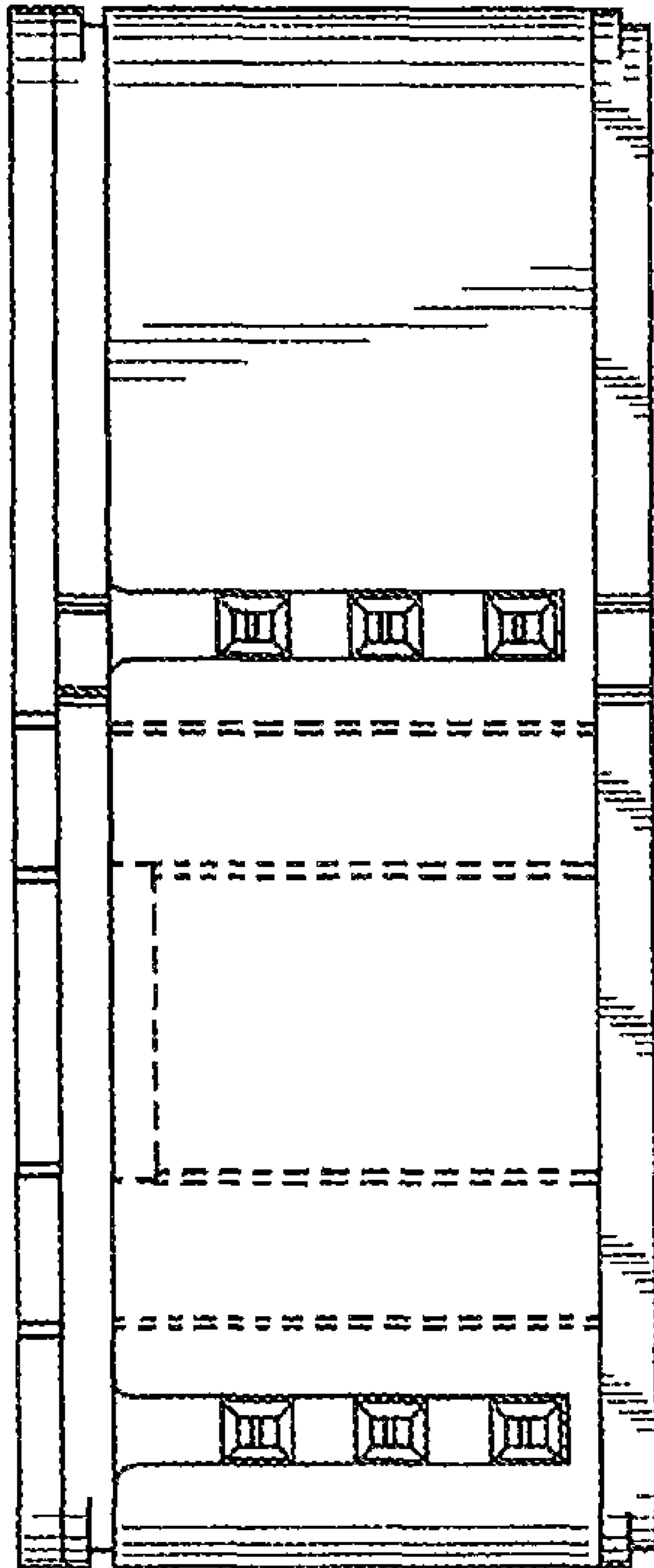


FIG. 7

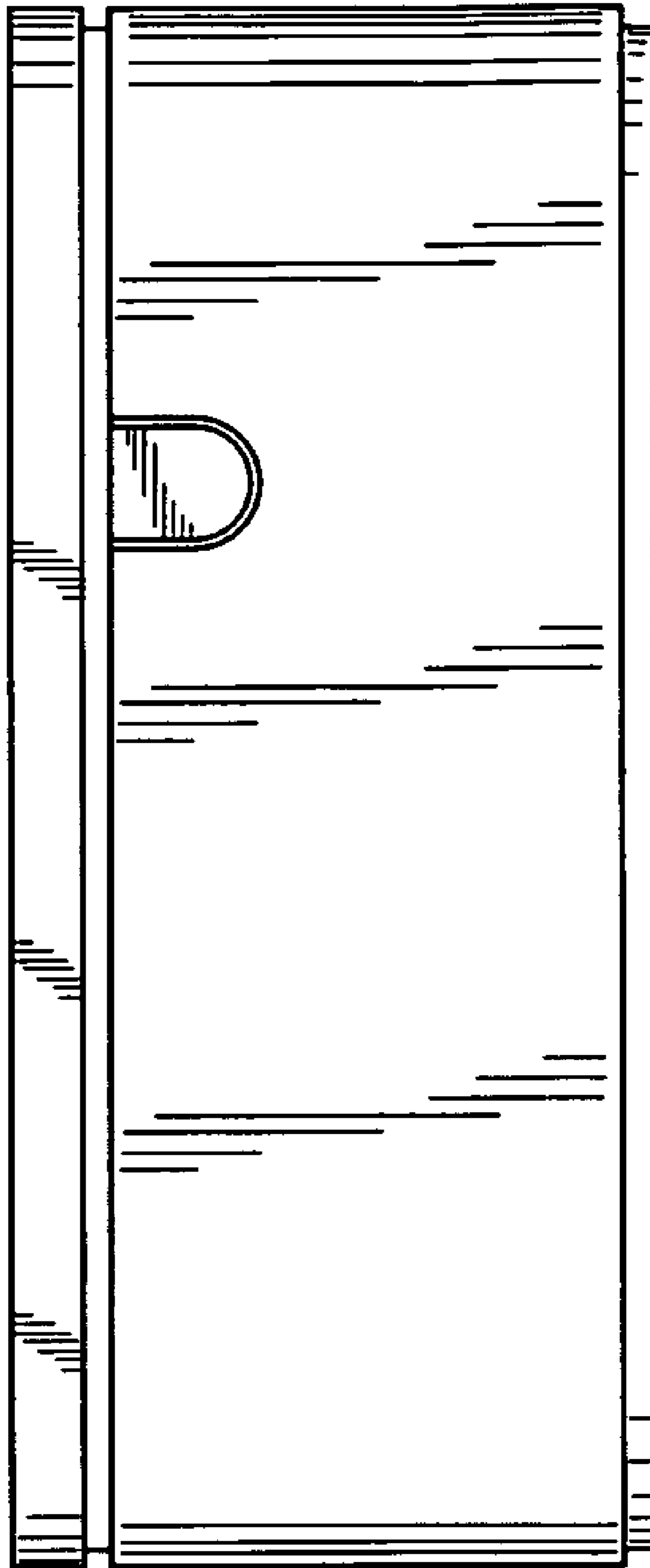


FIG. 8

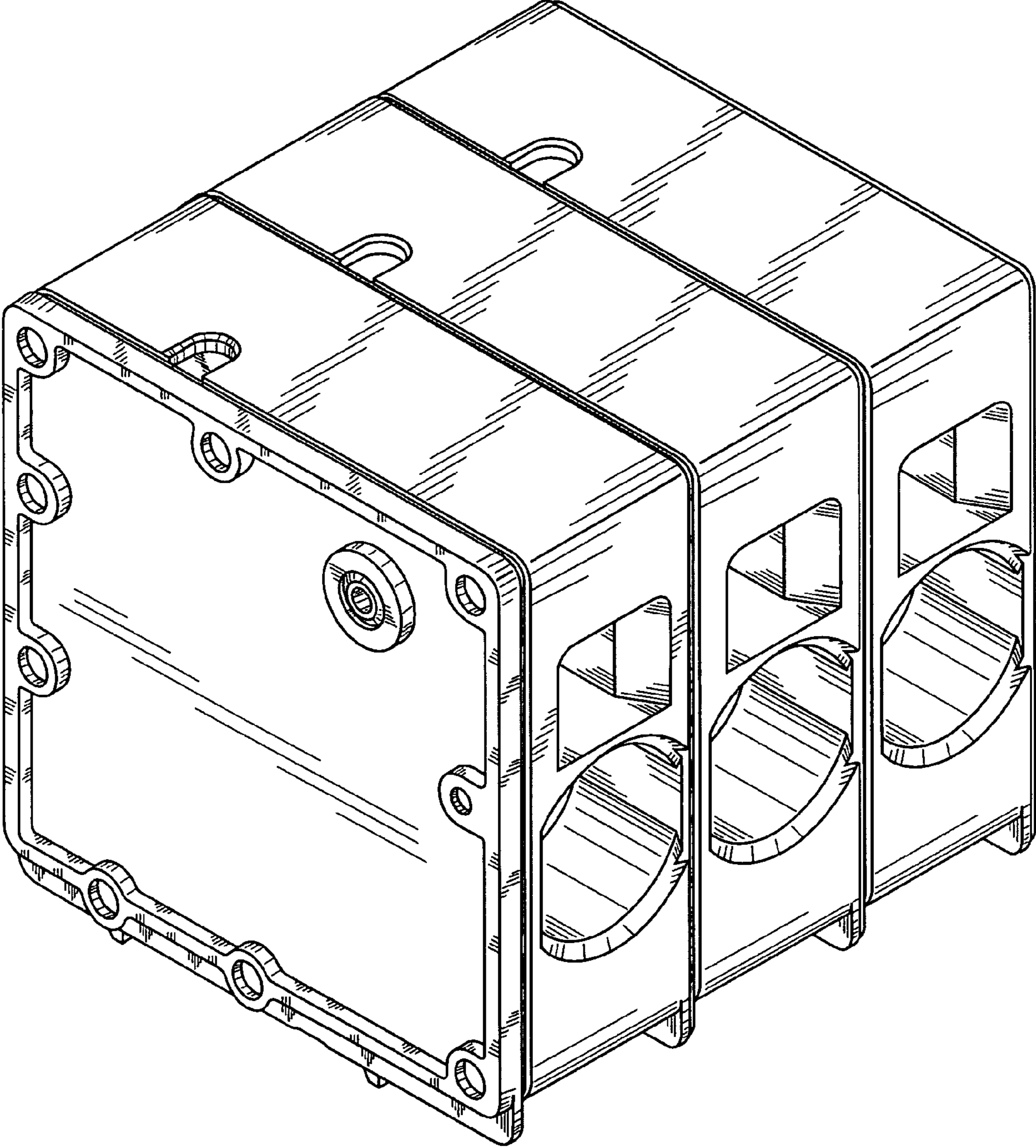


FIG. 9

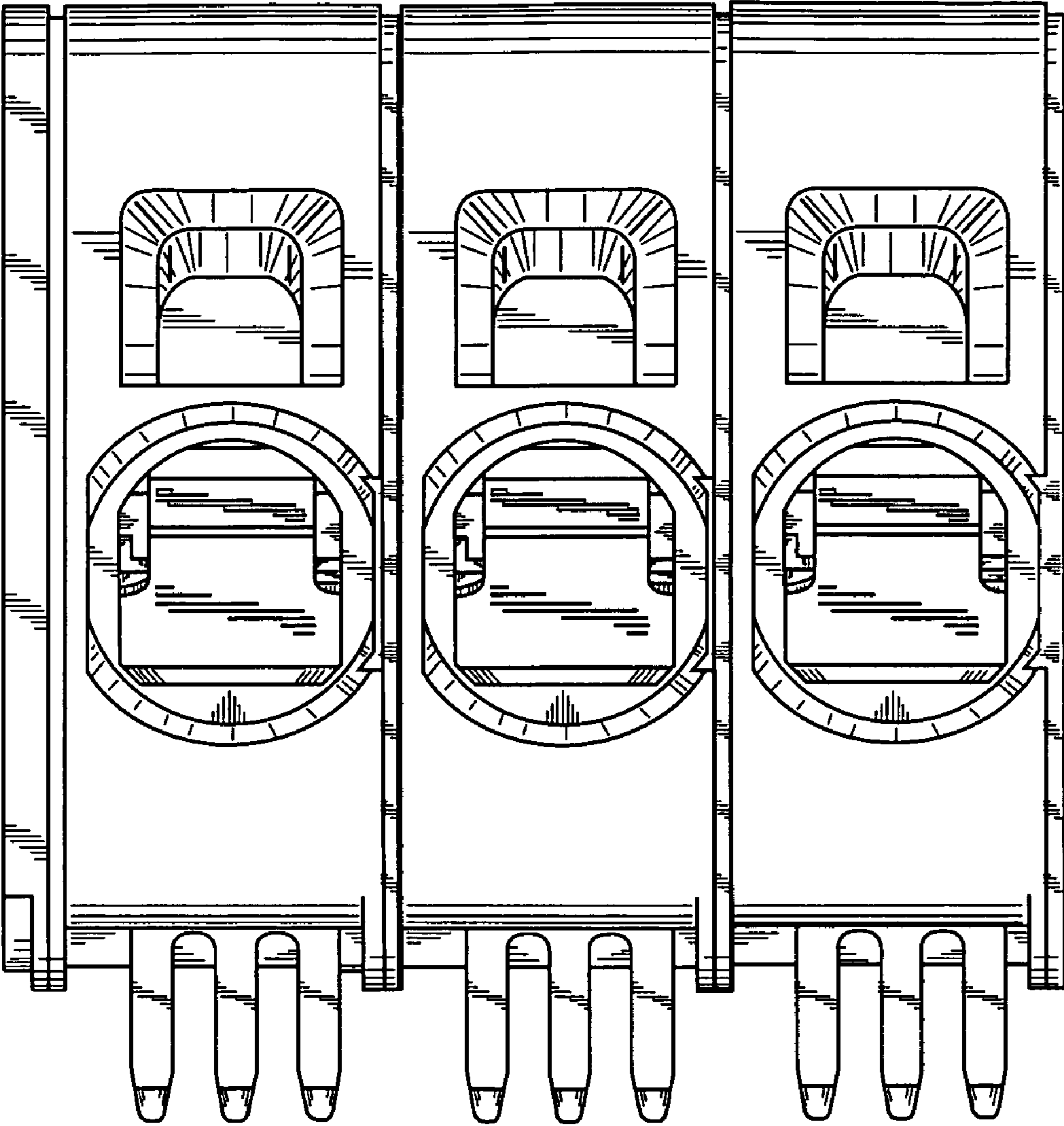


FIG. 10

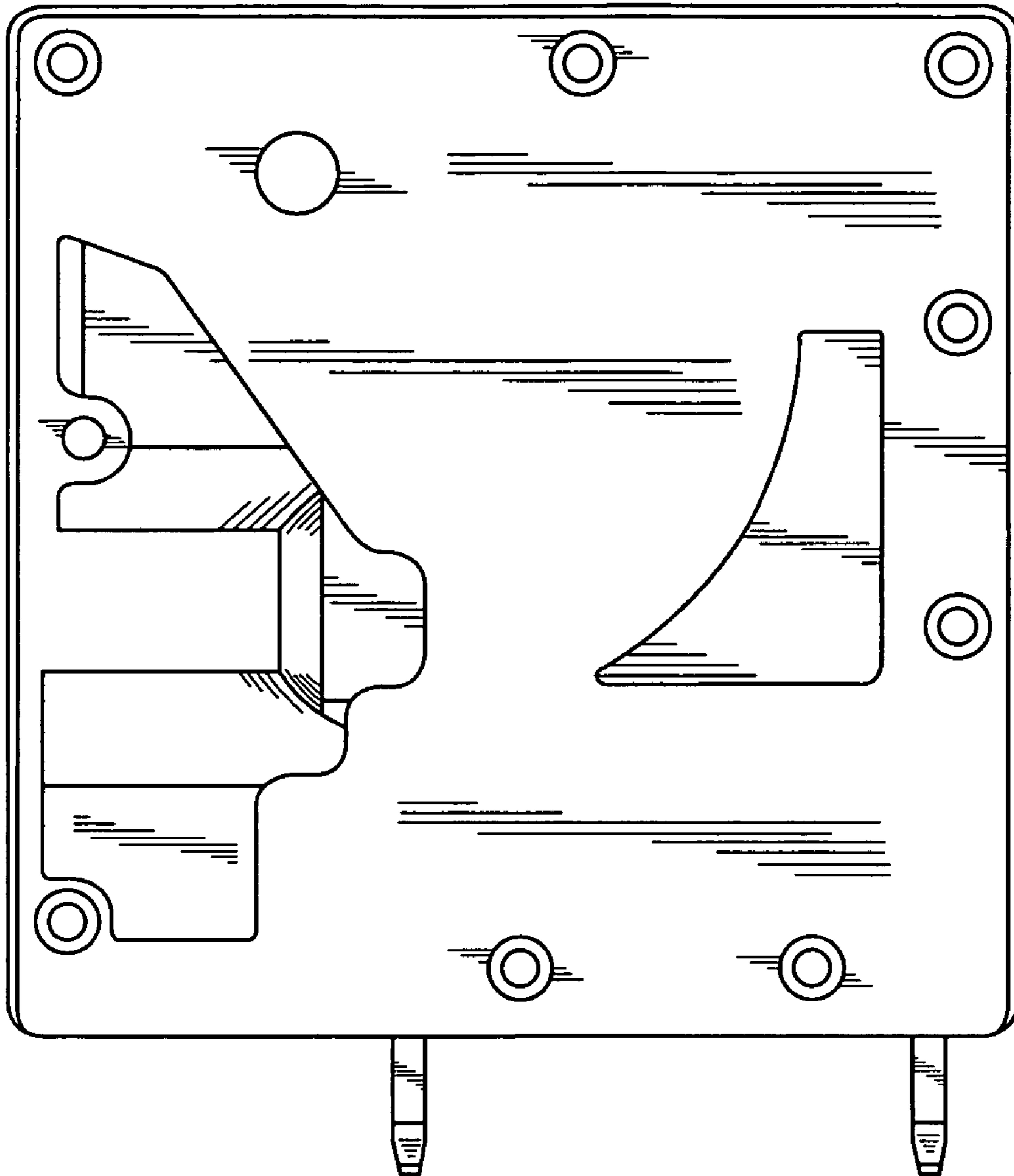


FIG. 11

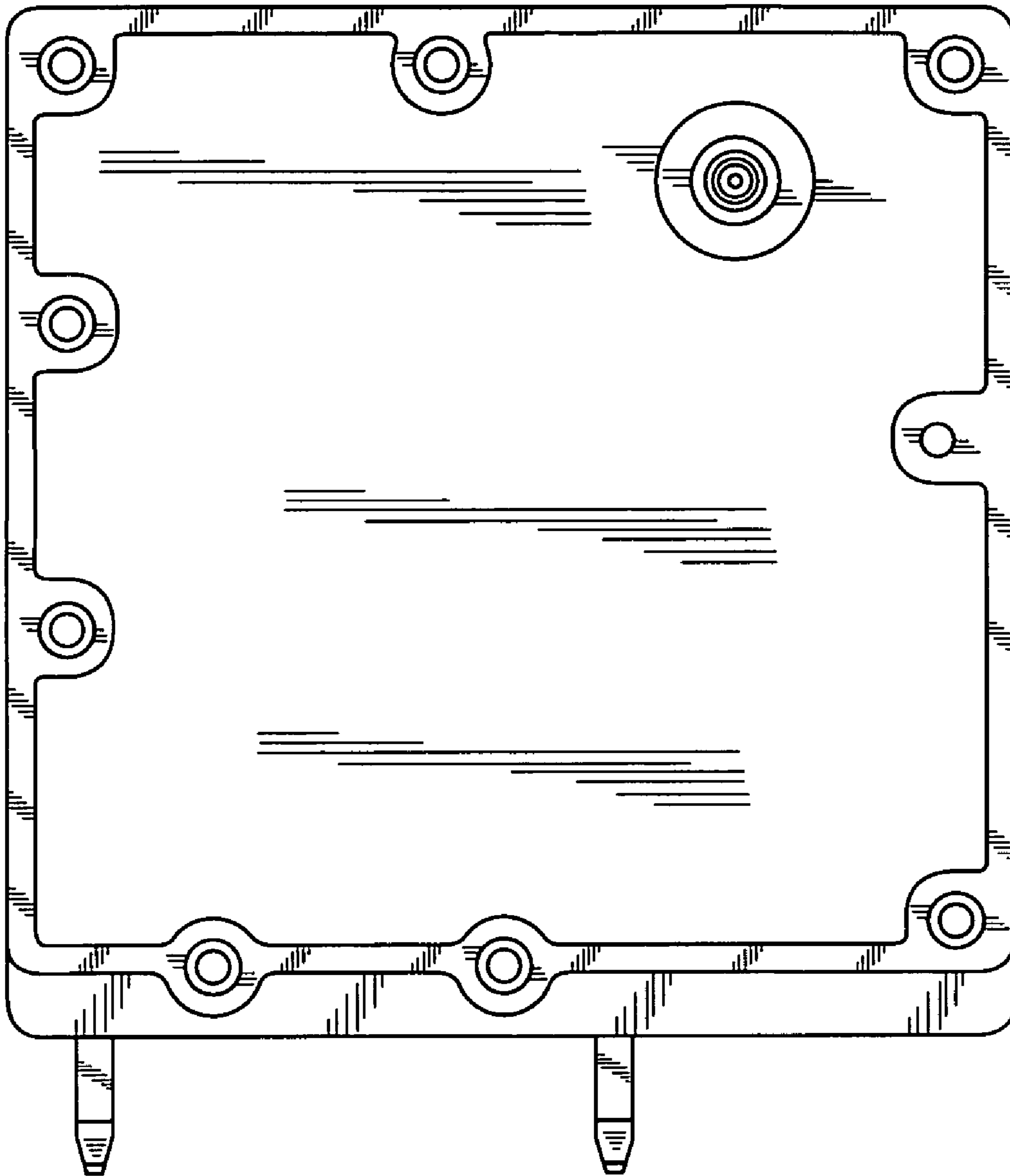


FIG. 12

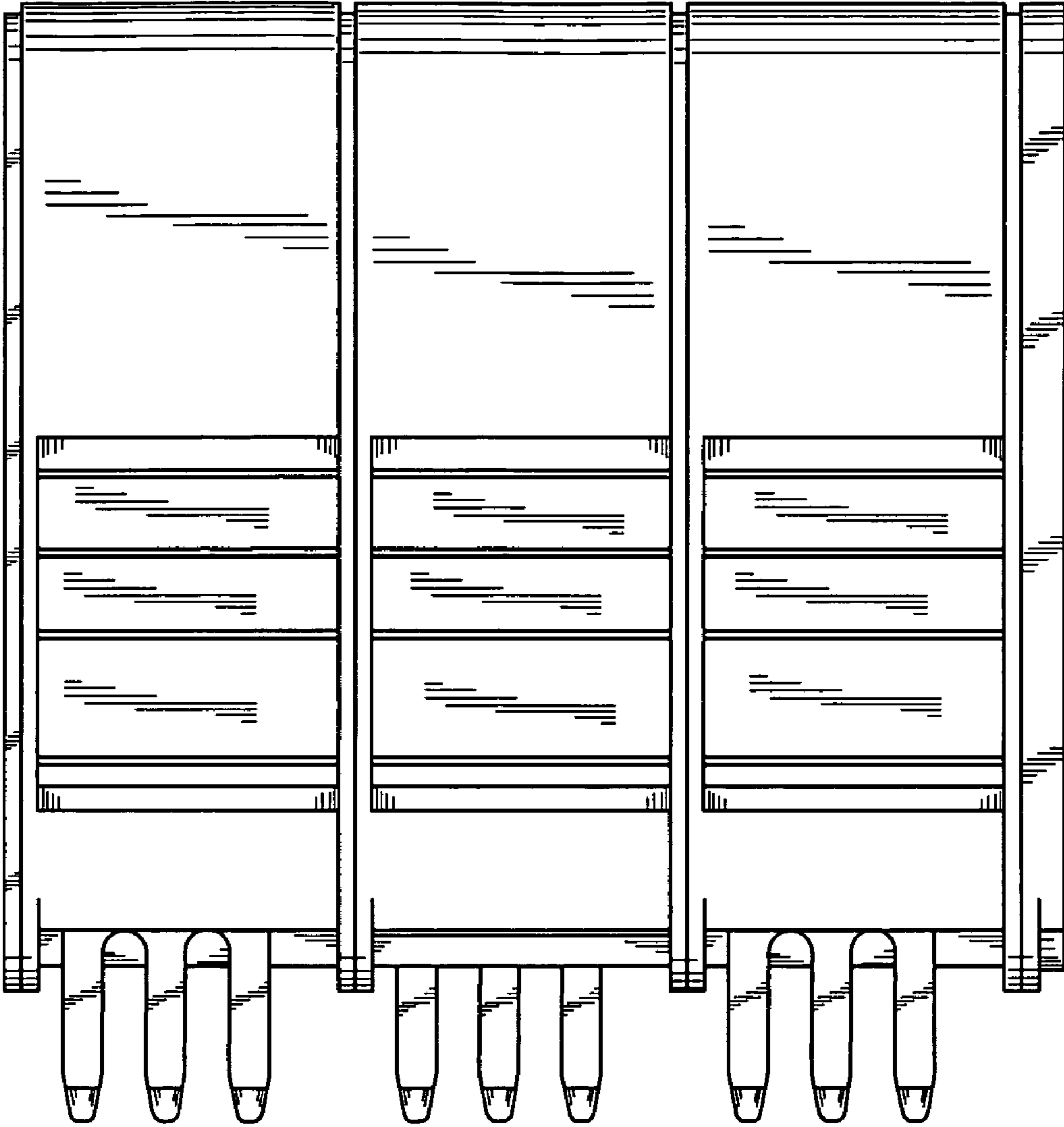


FIG. 13

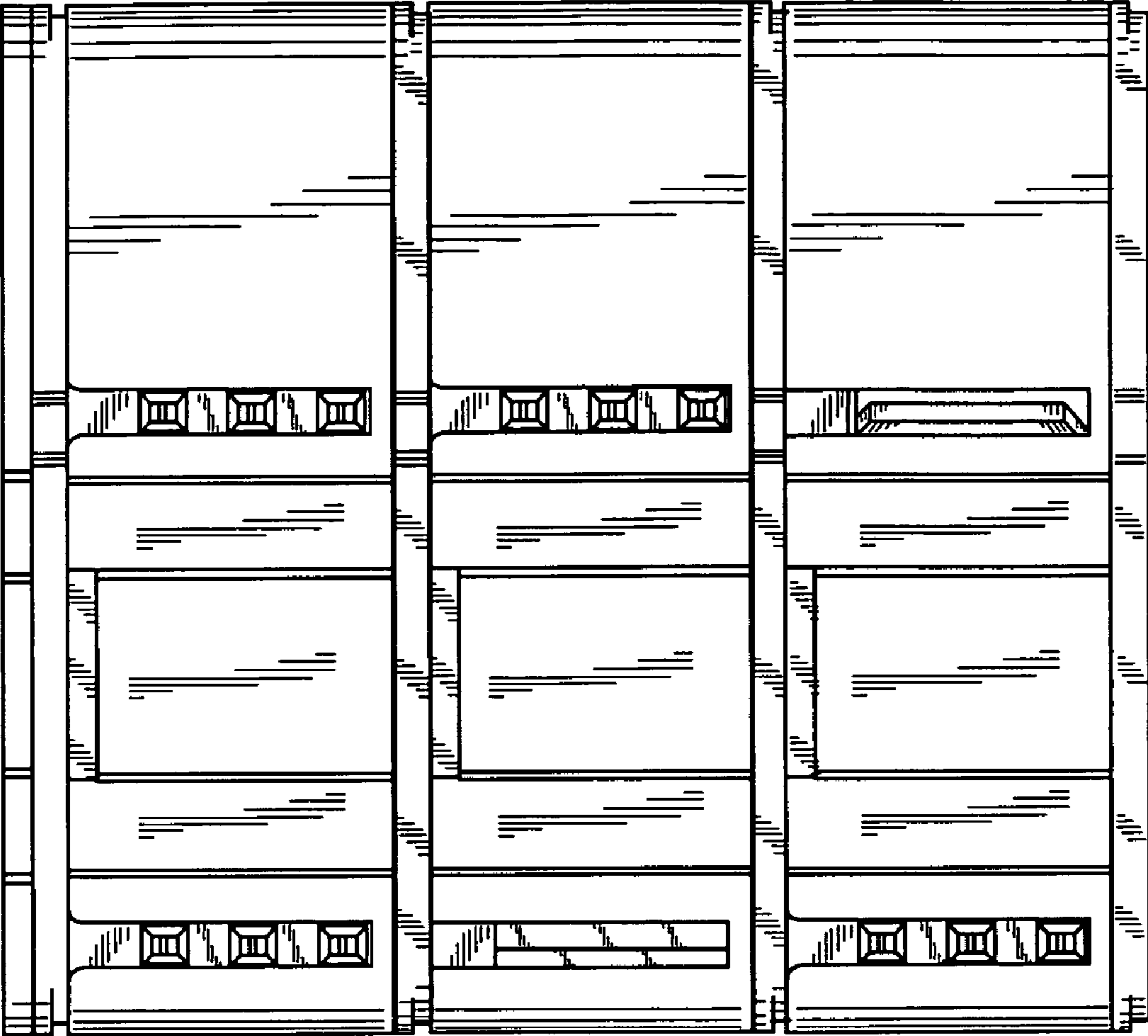


FIG. 14

