



US00D626506S

(12) **United States Design Patent**
Giefers et al.

(10) **Patent No.:** **US D626,506 S**

(45) **Date of Patent:** **** Nov. 2, 2010**

(54) **CONNECTOR WITH A LOCKING AND
RELEASE DEVICE**

(75) Inventors: **Stefan Giefers**, Detmold (DE); **Mehmet
Sagdic**, Detmold (DE)

(73) Assignee: **Phoenix Contact GmbH & Co. KG**,
Blomberg (DE)

(**) Term: **14 Years**

(21) Appl. No.: **29/346,097**

(22) Filed: **Oct. 27, 2009**

(30) **Foreign Application Priority Data**

Apr. 27, 2009 (EM) 001127773

(51) **LOC (9) Cl.** **13-03**

(52) **U.S. Cl.** **D13/133**

(58) **Field of Classification Search** D13/133,
D13/146, 147, 151, 154, 184, 199; 439/278,
439/607, 668, 669, 894, 680, 307, 186, 113,
439/315, 314, 681, 677, 488, 489, 491
See application file for complete search history.

(56) **References Cited**

U.S. PATENT DOCUMENTS

D336,070	S	*	6/1993	Clark	D13/133
5,641,310	A	*	6/1997	Tiberio, Jr.	439/680
D406,816	S	*	3/1999	Hopper et al.	D13/146
6,017,243	A	*	1/2000	Castaldo	439/462
D447,464	S	*	9/2001	Bosatelli	D13/146
D525,203	S	*	7/2006	Bihrer	D13/146
D529,865	S	*	10/2006	LaPere	D13/133
D539,743	S	*	4/2007	Langer et al.	D13/147

D578,488	S	*	10/2008	Amidon	D13/154
D601,090	S	*	9/2009	Vigorito et al.	D13/133
D606,494	S	*	12/2009	Holliday	D13/133
D613,246	S	*	4/2010	Muecke et al.	D13/133
D615,496	S	*	5/2010	Mennekes	D13/147

OTHER PUBLICATIONS

Co-pending U.S. Appl. No. 29/346,083, filed Oct. 27, 2009, entitled
"Connector with a locking and release device".

* cited by examiner

Primary Examiner—T. Chase Nelson

Assistant Examiner—John Windmuller

(74) *Attorney, Agent, or Firm*—Leydig, Voit & Mayer, Ltd.

(57) **CLAIM**

The ornamental design for a connector with a locking and
release device, as shown and described.

DESCRIPTION

FIG. 1 is a front, left, top-side perspective view of the con-
nector with a locking and release device showing our new
design;

FIG. 2 is a bottom view thereof;

FIG. 3 is a top view thereof;

FIG. 4 is a left side view thereof, the right side view being a
mirror image of the left side view;

FIG. 5 is a rear view thereof; and,

FIG. 6 is a front view thereof.

The broken lines in FIG. 5 depict interior portions of the
connector that form no part of the claimed design.

1 Claim, 2 Drawing Sheets

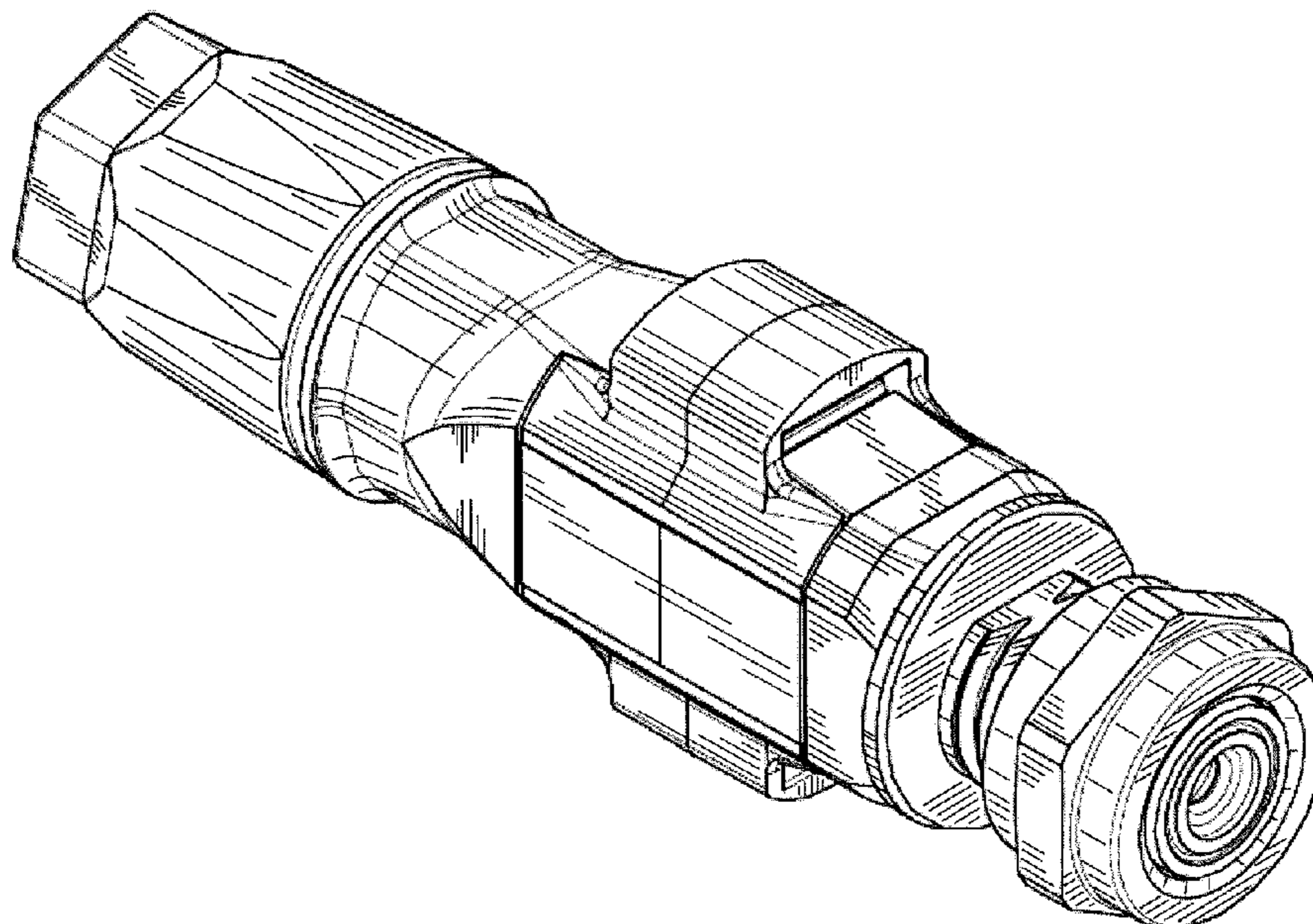


FIG. 1

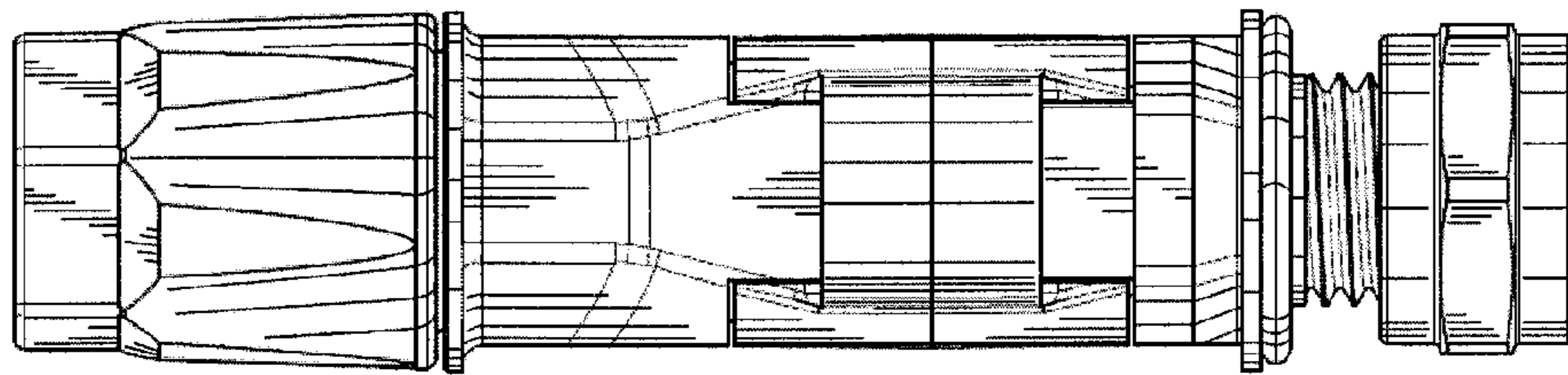
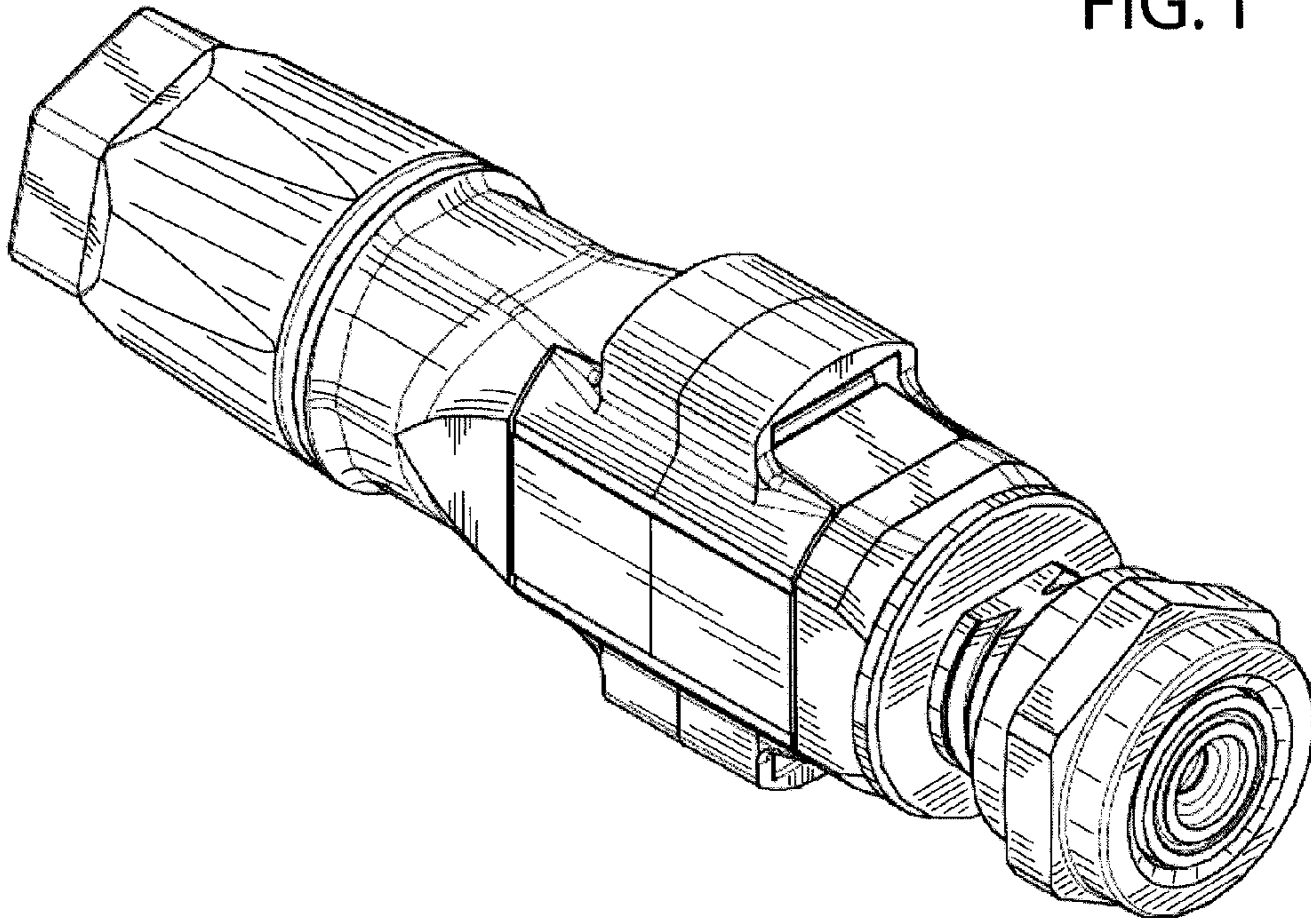


FIG. 2

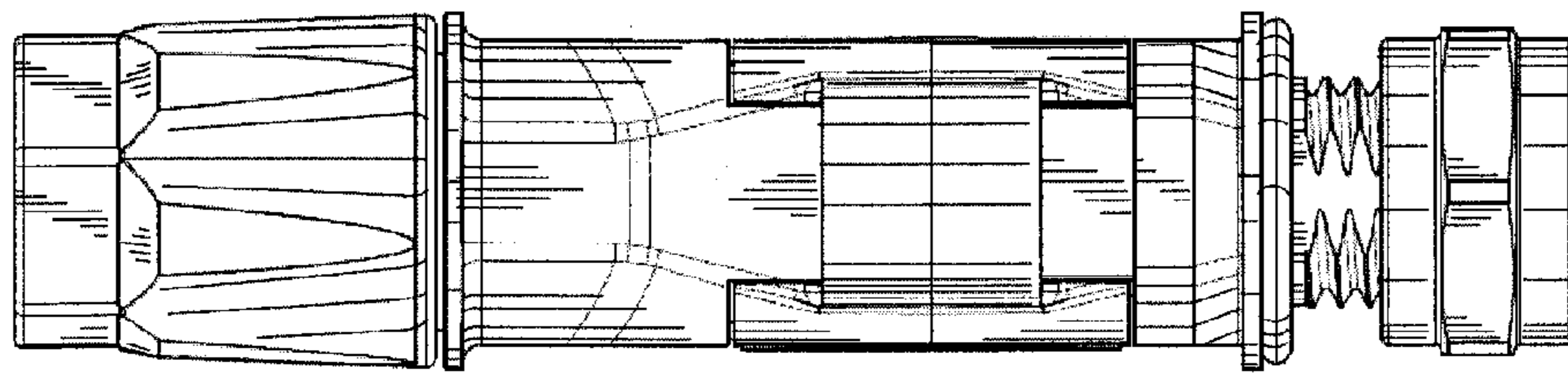


FIG. 3

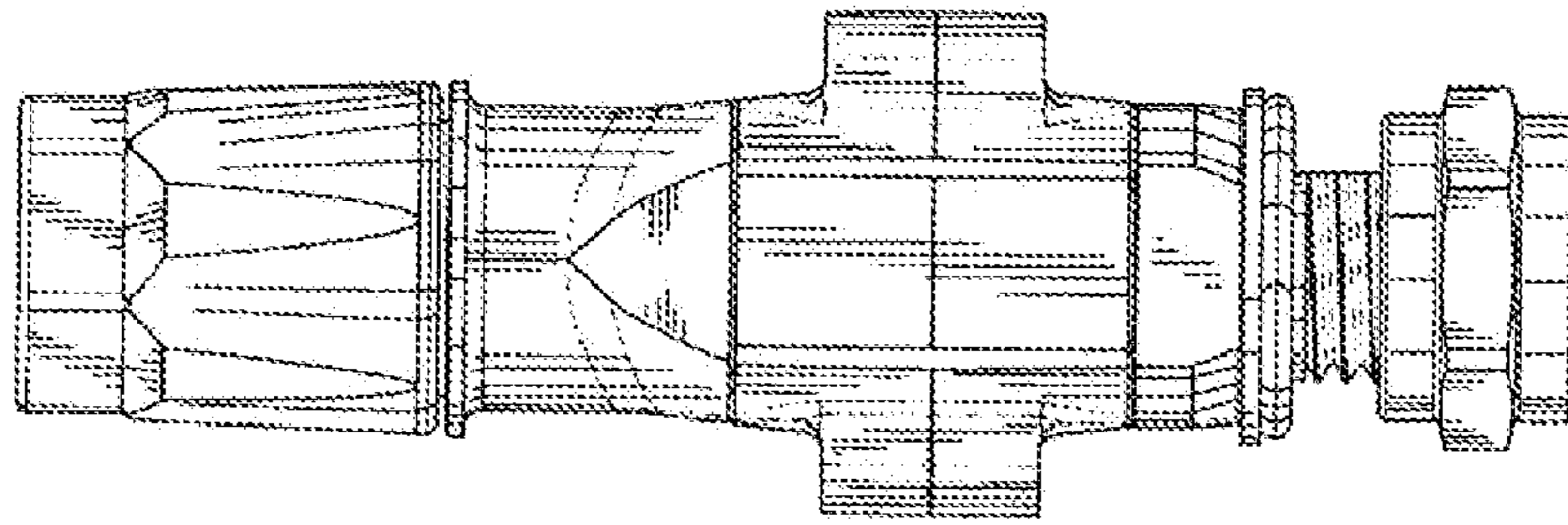


FIG. 4

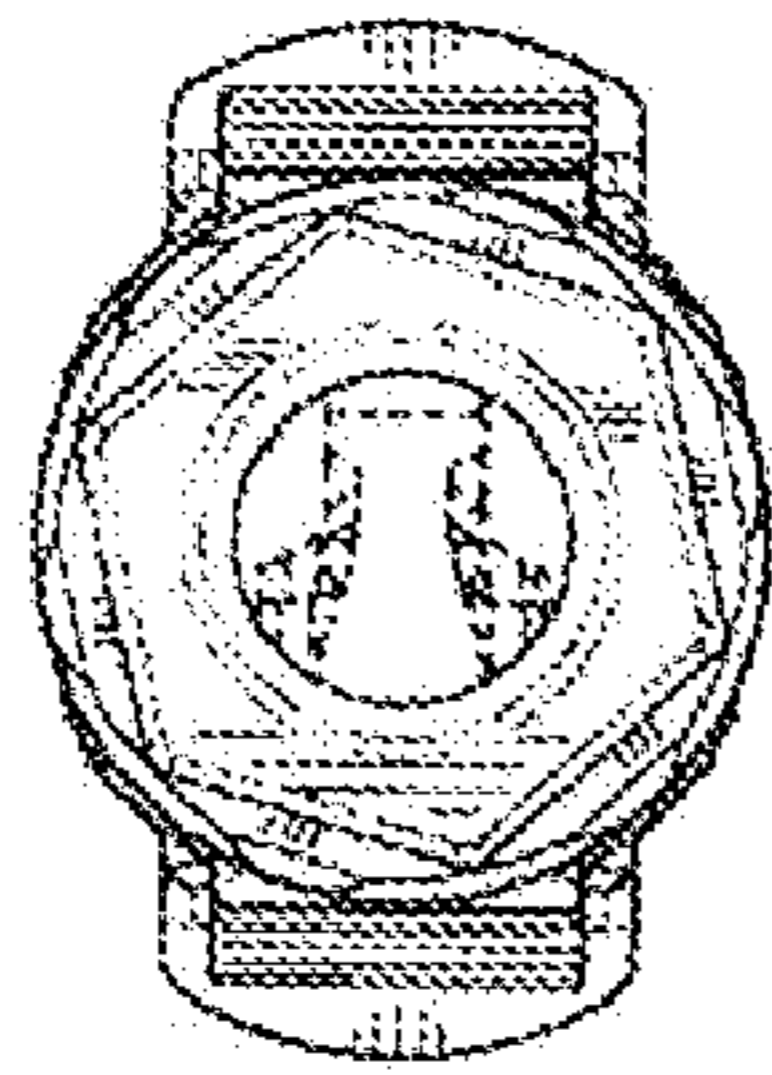


FIG. 5

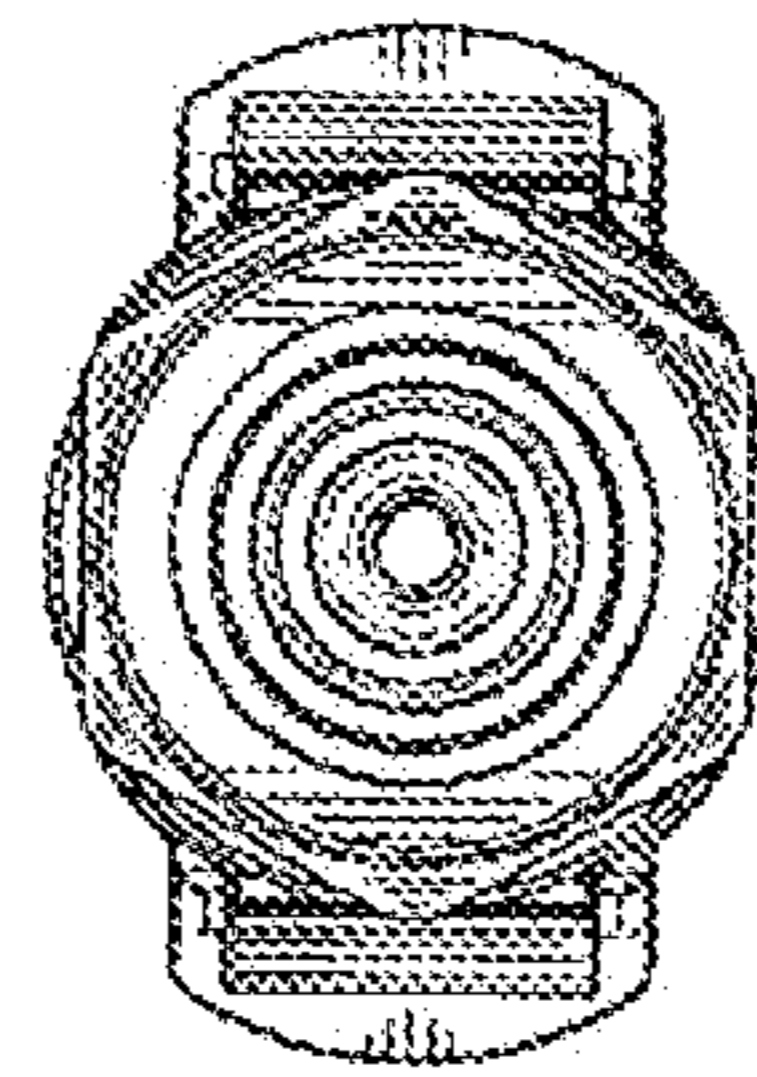


FIG. 6