



US00D626505S

(12) **United States Design Patent**
Sonne

(10) **Patent No.:** **US D626,505 S**
(45) **Date of Patent:** **** Nov. 2, 2010**

(54) **WIND TURBINE**

(75) Inventor: **Hans Sonne**, Aeroeskoebing (DK)

(73) Assignee: **Vind & Sol S.M.B.A.**, Aeroeskoebing (DK)

(**) Term: **14 Years**

(21) Appl. No.: **29/344,556**

(22) Filed: **Sep. 30, 2009**

(30) **Foreign Application Priority Data**

Mar. 31, 2009 (DK) DA 2006 00053

(51) **LOC (9) Cl.** **13-01**

(52) **U.S. Cl.** **D13/115**

(58) **Field of Classification Search** D13/115,
D13/101, 199; D7/686; D8/51; D10/59;
D15/1, 199; 52/40, 745.09, 745.18; 415/122.1;
416/24, 31, 37, 38, 119, 132 R, 142
See application file for complete search history.

(56) **References Cited**

U.S. PATENT DOCUMENTS

D252,572	S	*	8/1979	Hanson	D15/1
D271,303	S	*	11/1983	Ovelmen	D15/1
D305,419	S	*	1/1990	Korneski	D13/115
5,320,491	A	*	6/1994	Coleman et al.	416/24
6,345,957	B1	*	2/2002	Szpur	416/197 A
D487,060	S	*	2/2004	Ehrenberger	D13/115
D508,893	S	*	8/2005	Kato et al.	D13/115
D509,794	S	*	9/2005	Okubo et al.	D13/115
D511,495	S	*	11/2005	Okubo et al.	D13/115
D517,986	S	*	3/2006	Wobben	D13/115
D554,546	S	*	11/2007	Hart	D10/59
D567,176	S	*	4/2008	Borgen	D13/115

OTHER PUBLICATIONS

Electronic printout of OHIM Design Application No. 000291760-0001 retrieved on Sep. 18, 2009.

Electronic printout of OHIM Design Application No. 000970637-0001 retrieved on Sep. 18, 2009.

Electronic printout of OHIM Design Application No. 001073928-0001 retrieved on Sep. 18, 2009.

Electronic printout of OHIM Design Application No. 000631106-0001 retrieved on Sep. 18, 2009.

Electronic printout of OHIM Design Application No. 000936711-0001 retrieved on Sep. 18, 2009.

Electronic printout of OHIM Design Application No. 001034805-0001 retrieved on Sep. 18, 2009.

Electronic printout of OHIM Design Application No. 000587506-0001 retrieved on Sep. 18, 2009.

Electronic printout of OHIM Design Application No. 000796248-0001 retrieved on Sep. 18, 2009.

Electronic printout of OHIM Design Application No. 000875018-0001 retrieved on Sep. 18, 2009.

Electronic printout of OHIM Design Application No. 000461504-0001 retrieved on Sep. 18, 2009.

* cited by examiner

Primary Examiner—Prabhakar Deshmukh

Assistant Examiner—Derrick Holland

(74) *Attorney, Agent, or Firm*—Merchant & Gould P.C.

(57) **CLAIM**

The ornamental design for wind turbine, as shown and described.

DESCRIPTION

FIG. 1 is a front elevation view of a wind turbine showing my new design;

FIG. 2 is a bottom perspective view thereof;

FIG. 3 is a top perspective view thereof;

FIG. 4 is another bottom perspective view thereof;

FIG. 5 is another top perspective view thereof; and,

FIG. 6 is a top plan view thereof.

1 Claim, 6 Drawing Sheets

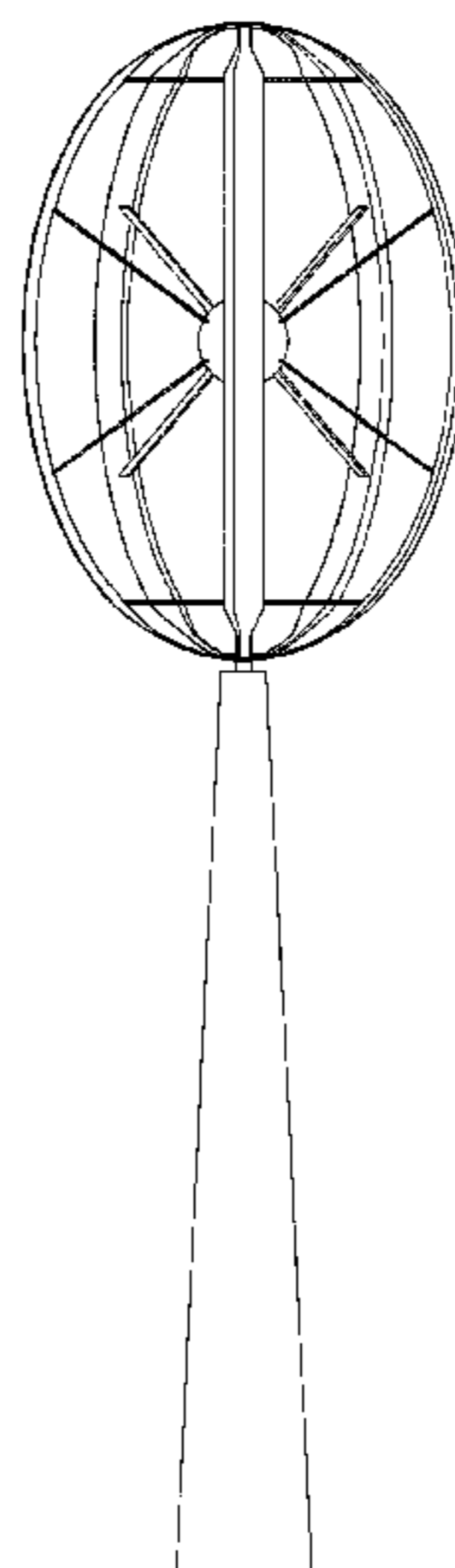


FIG. 1

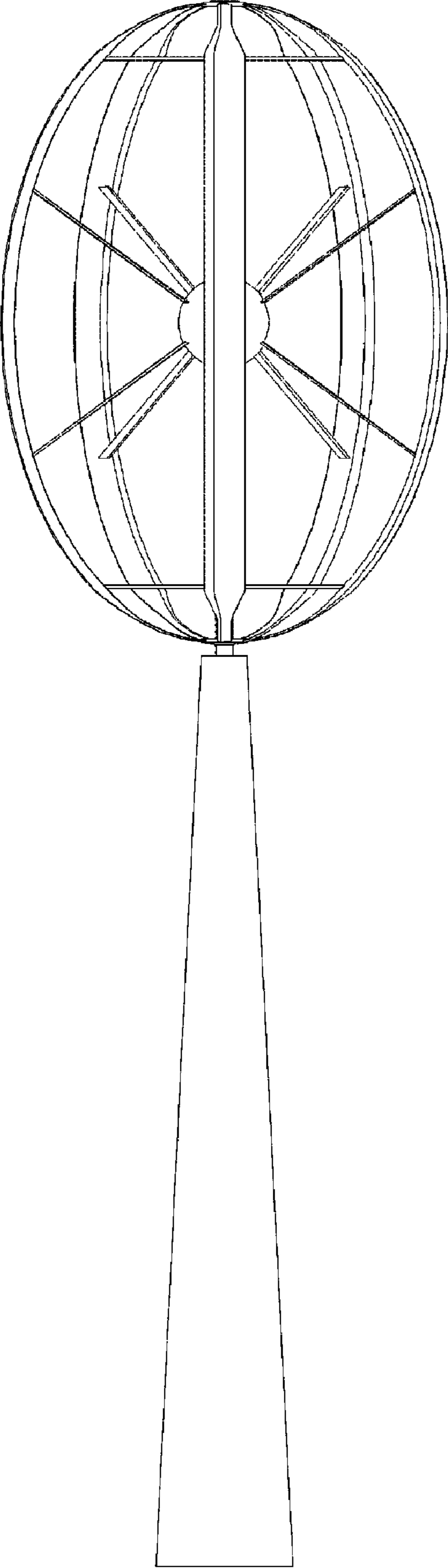


FIG. 2

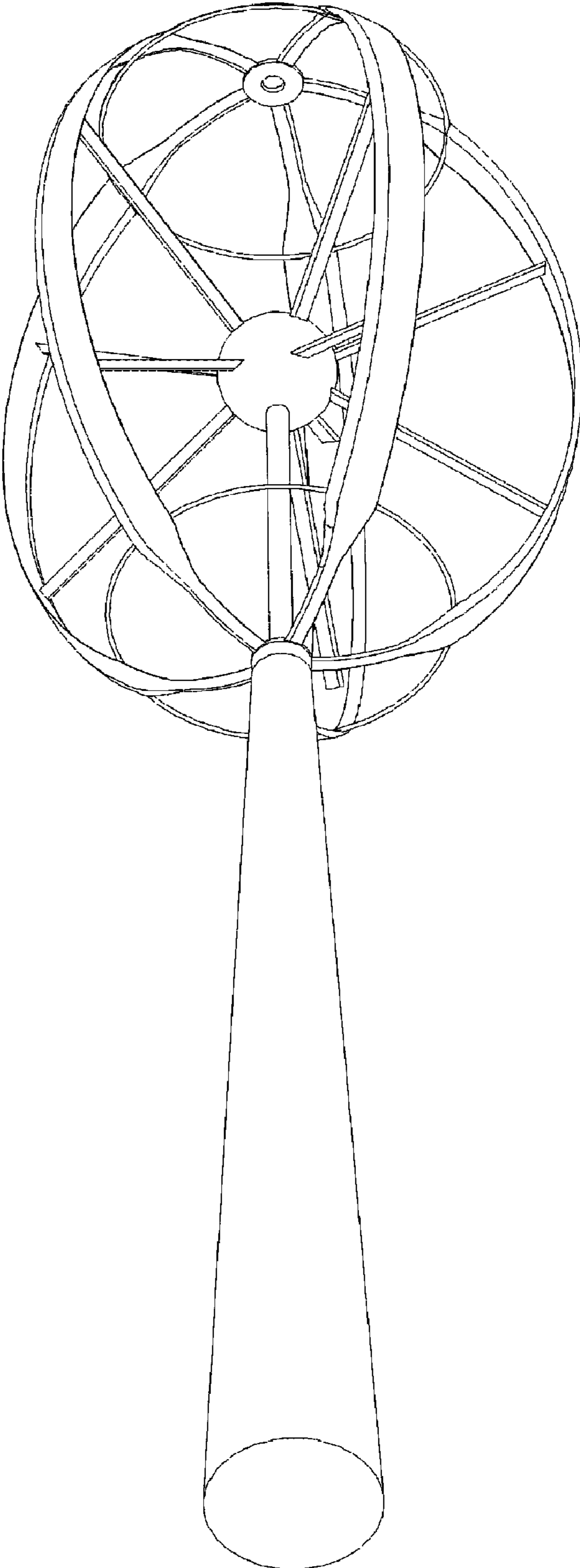


FIG. 3

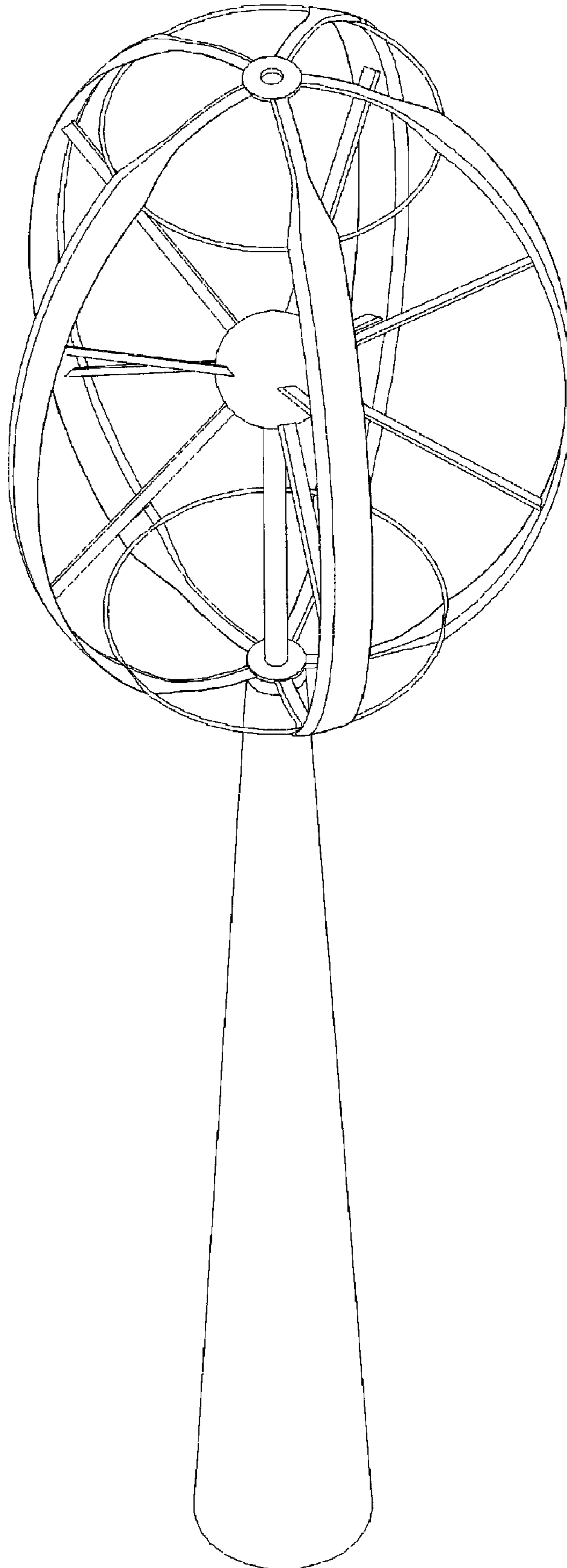


FIG. 4

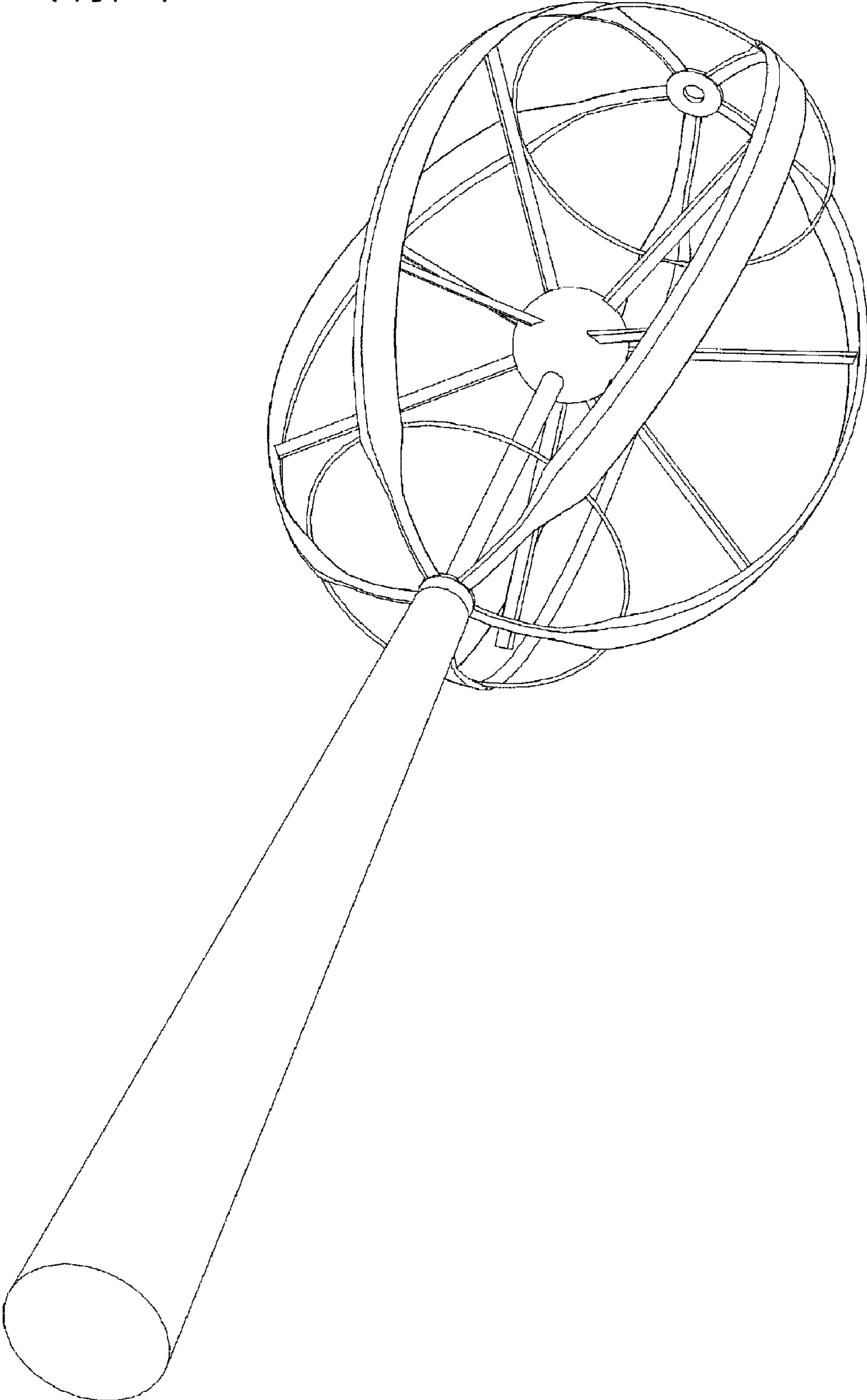


FIG. 5

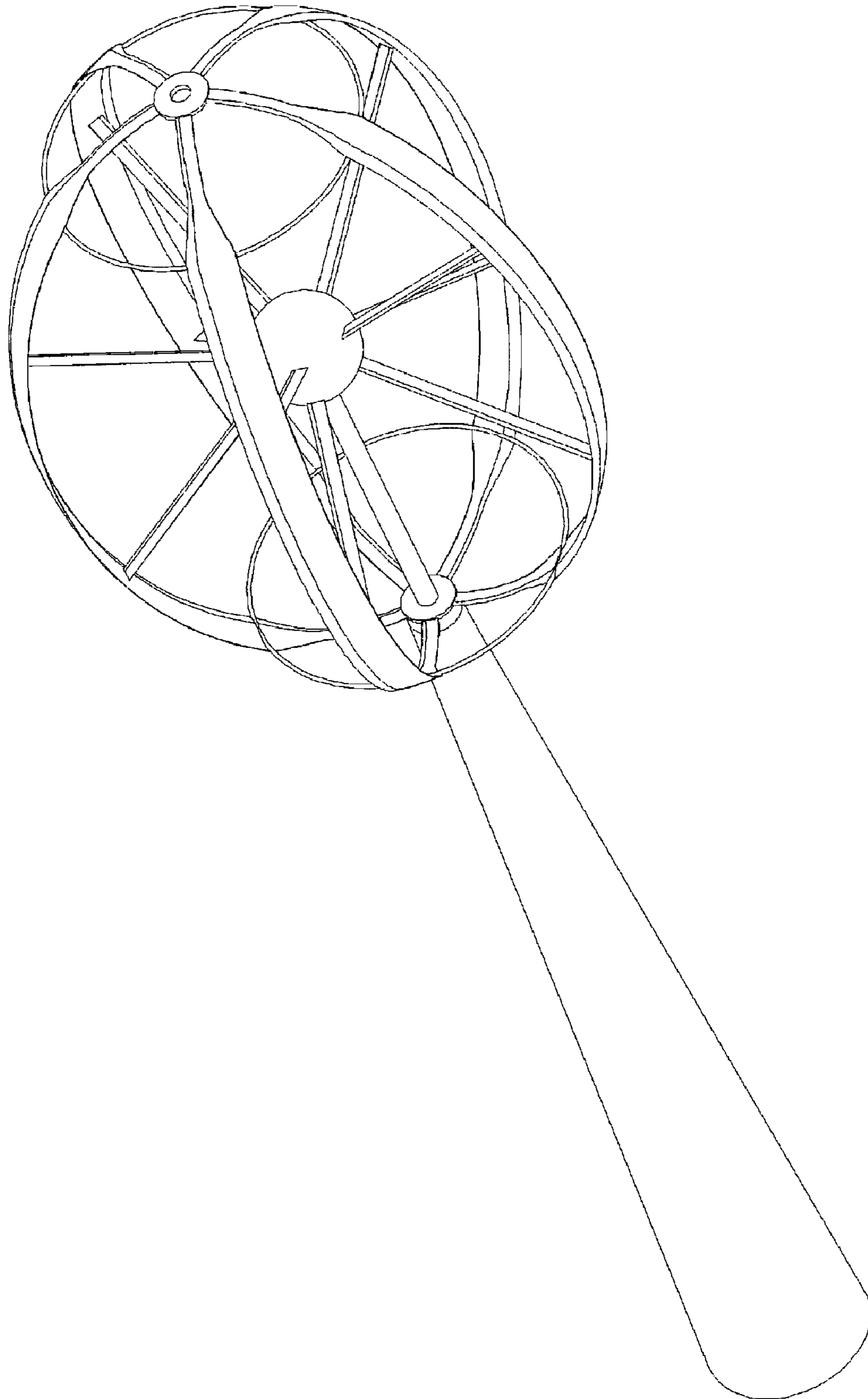


FIG. 6

