



US00D626504S

(12) **United States Design Patent**  
**Gruve et al.**

(10) **Patent No.:** **US D626,504 S**

(45) **Date of Patent:** **\*\* Nov. 2, 2010**

(54) **ACCUMULATOR**

(75) Inventors: **Alexander Gruve**, Wedemark (DE);  
**Elmar Schulze**, Lehrte (DE); **Dirk Kratzer**, Hannover (DE); **Christoph Greger**, Delligsen (DE)

(73) Assignee: **Sennheiser electronic GmbH & Co. KG**, Wedemark (DE)

(\*\*) Term: **14 Years**

(21) Appl. No.: **29/337,665**

(22) Filed: **May 27, 2009**

(30) **Foreign Application Priority Data**

Nov. 28, 2008 (EM) ..... 1 048 102

(51) **LOC (9) Cl.** ..... **13-02**

(52) **U.S. Cl.** ..... **D13/110**

(58) **Field of Classification Search** ..... D13/110,  
D13/101, 107, 133, 162, 184, 199; D20/9;  
194/215, 216, 220, 225, 228; 237/44, 75;  
307/43, 46, 66, 67, 151, 152; 903/903, 960  
See application file for complete search history.

(56) **References Cited**

**U.S. PATENT DOCUMENTS**

D250,790 S \* 1/1979 Scheiter et al. .... D20/9

D349,682 S \* 8/1994 Hunziker ..... D13/110  
D463,363 S \* 9/2002 Veino et al. .... D13/110  
D526,616 S \* 8/2006 Nakashima et al. .... D13/133  
D568,241 S \* 5/2008 Heine et al. .... D13/110

\* cited by examiner

*Primary Examiner*—Prabhakar Deshmukh

*Assistant Examiner*—Derrick Holland

(74) *Attorney, Agent, or Firm*—Townsend and Townsend and Crew LLP

(57) **CLAIM**

The ornamental design for an accumulator, as shown and described.

**DESCRIPTION**

FIG. 1 is a front elevational view of an accumulator showing our new design.

FIG. 2 is a right side elevational view thereof;

FIG. 3 is a top plan view thereof;

FIG. 4 is a left side elevational view thereof;

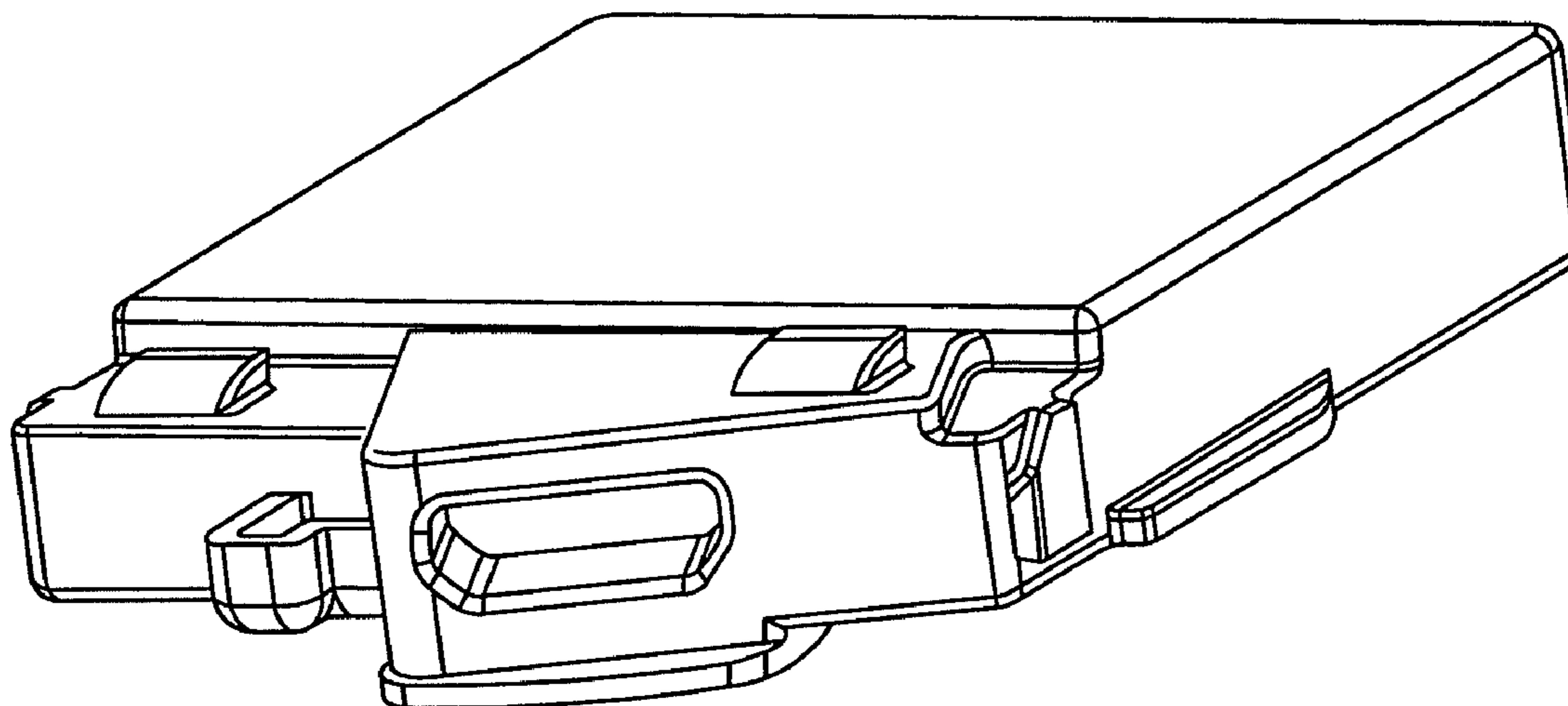
FIG. 5 is a bottom plan view thereof;

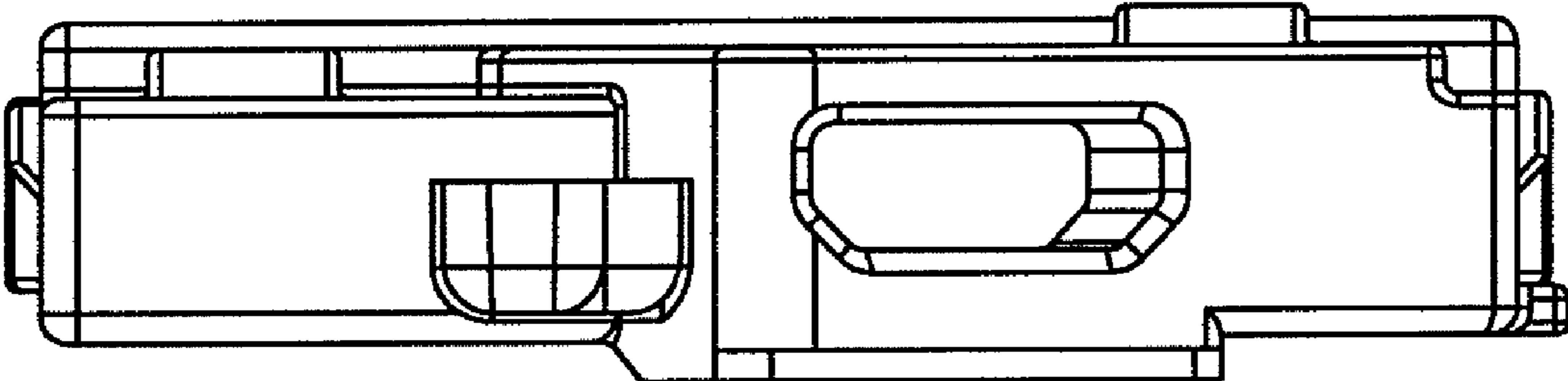
FIG. 6 is a rear elevational view thereof; and,

FIG. 7 is a perspective view thereof.

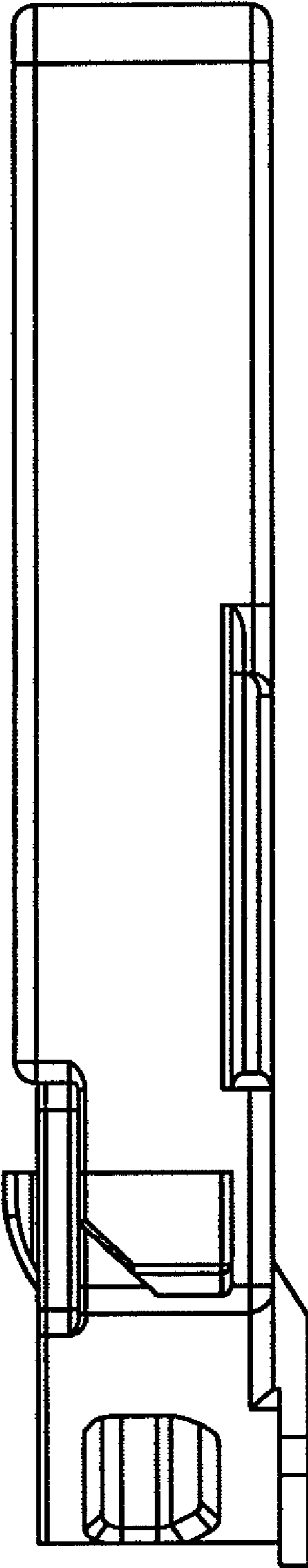
The broken lines shown are for illustrative purposes only and form no part of the claimed design.

**1 Claim, 7 Drawing Sheets**

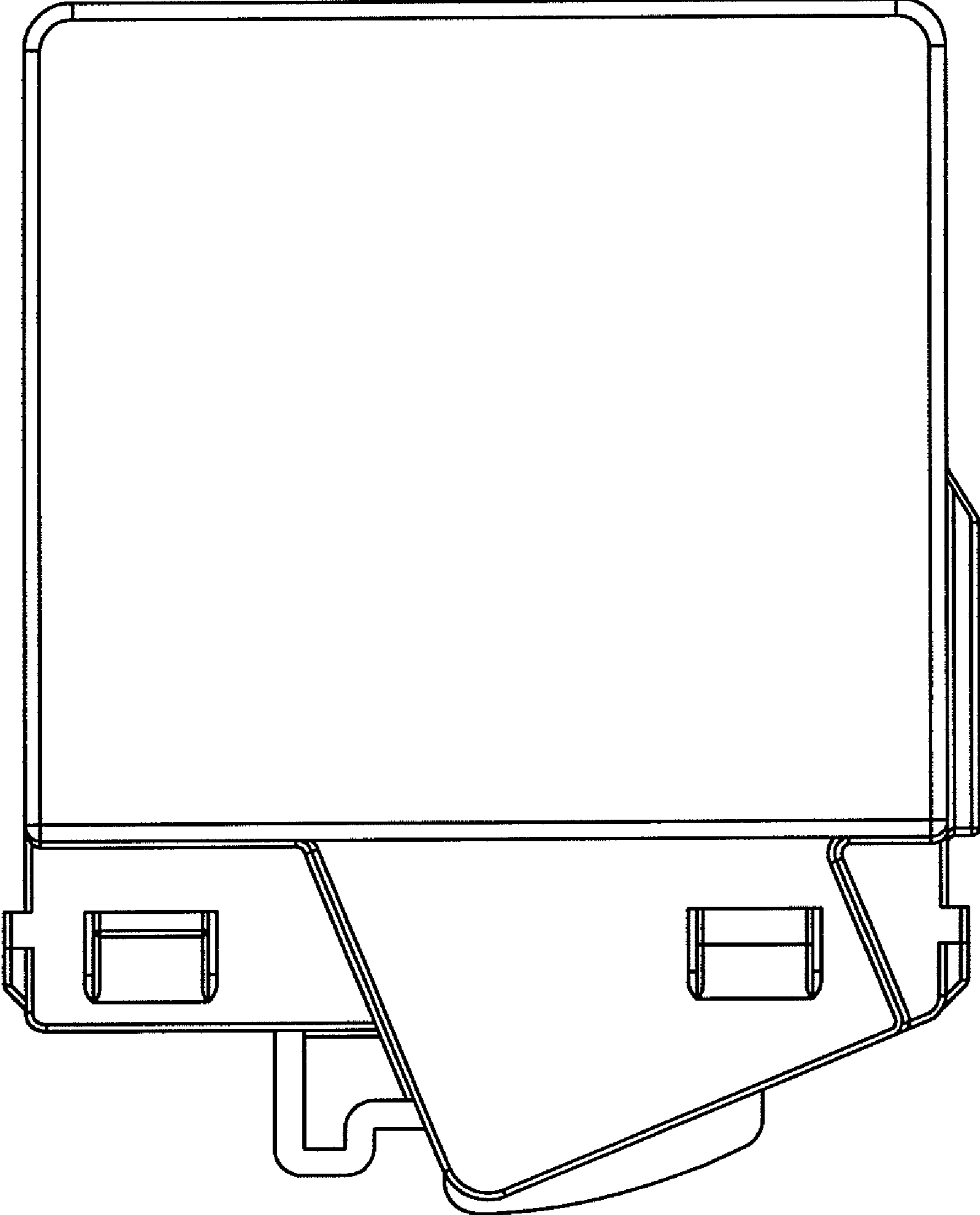




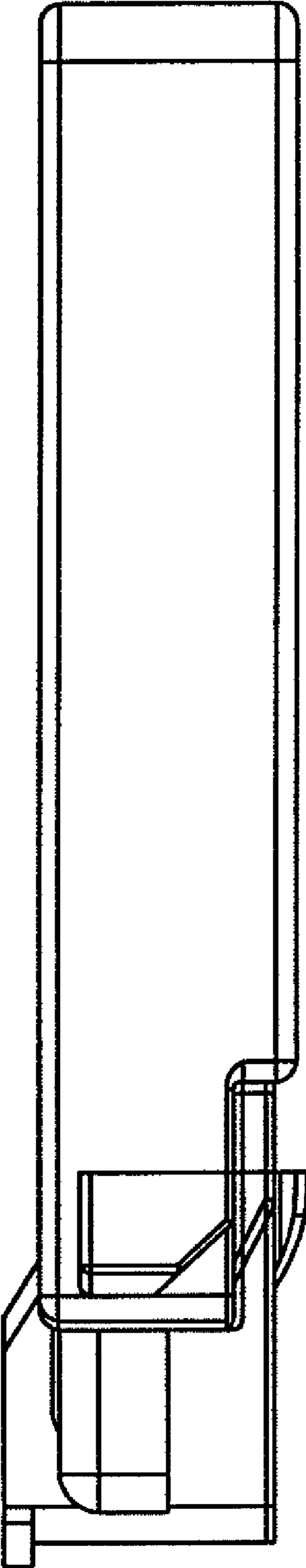
*FIG. 1*



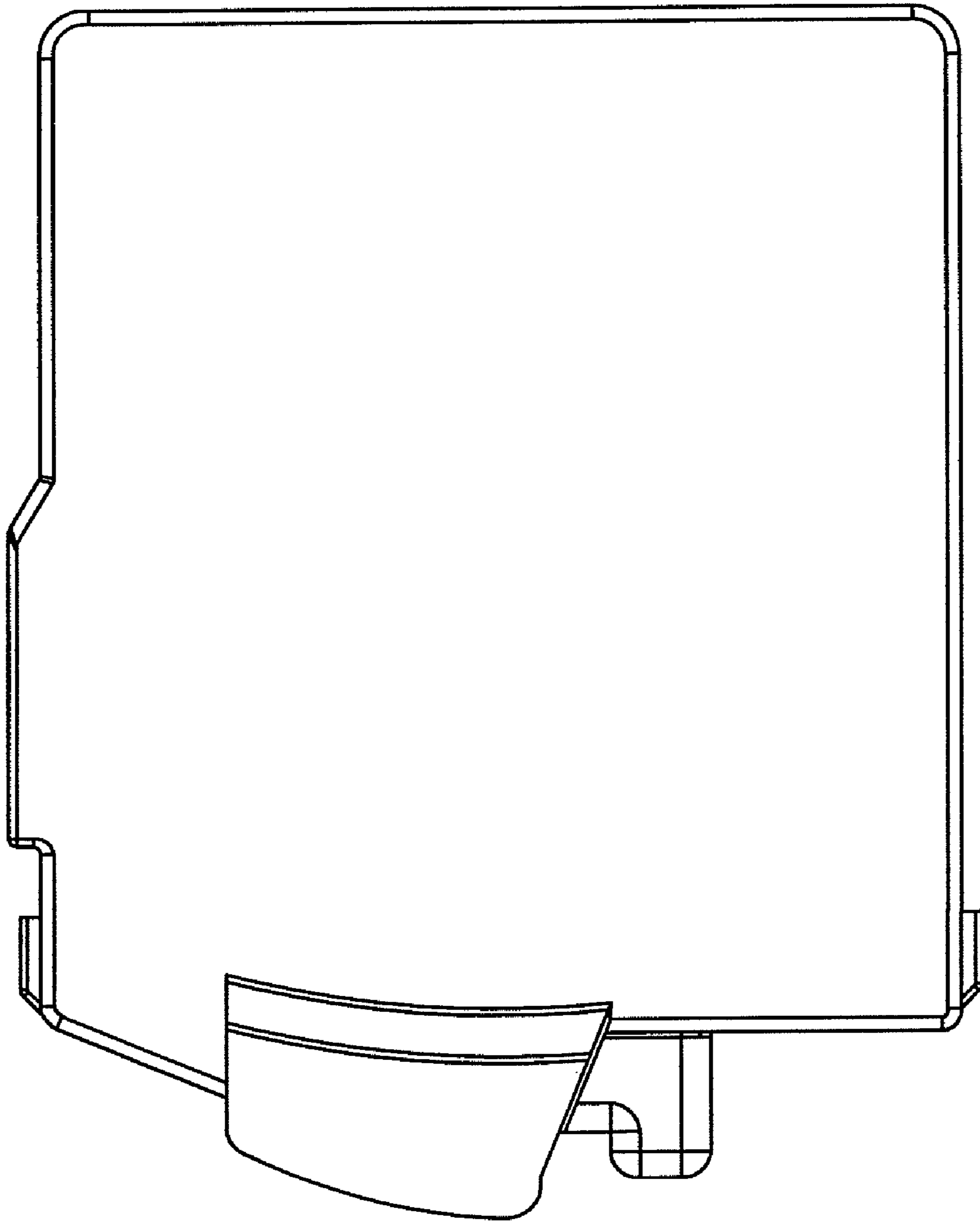
*FIG. 2*



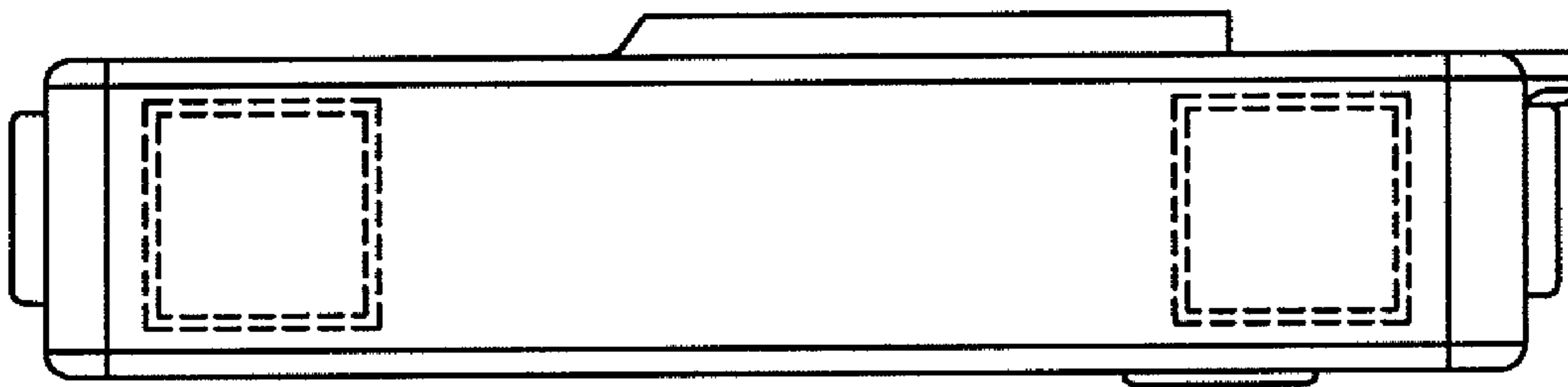
*FIG. 3*



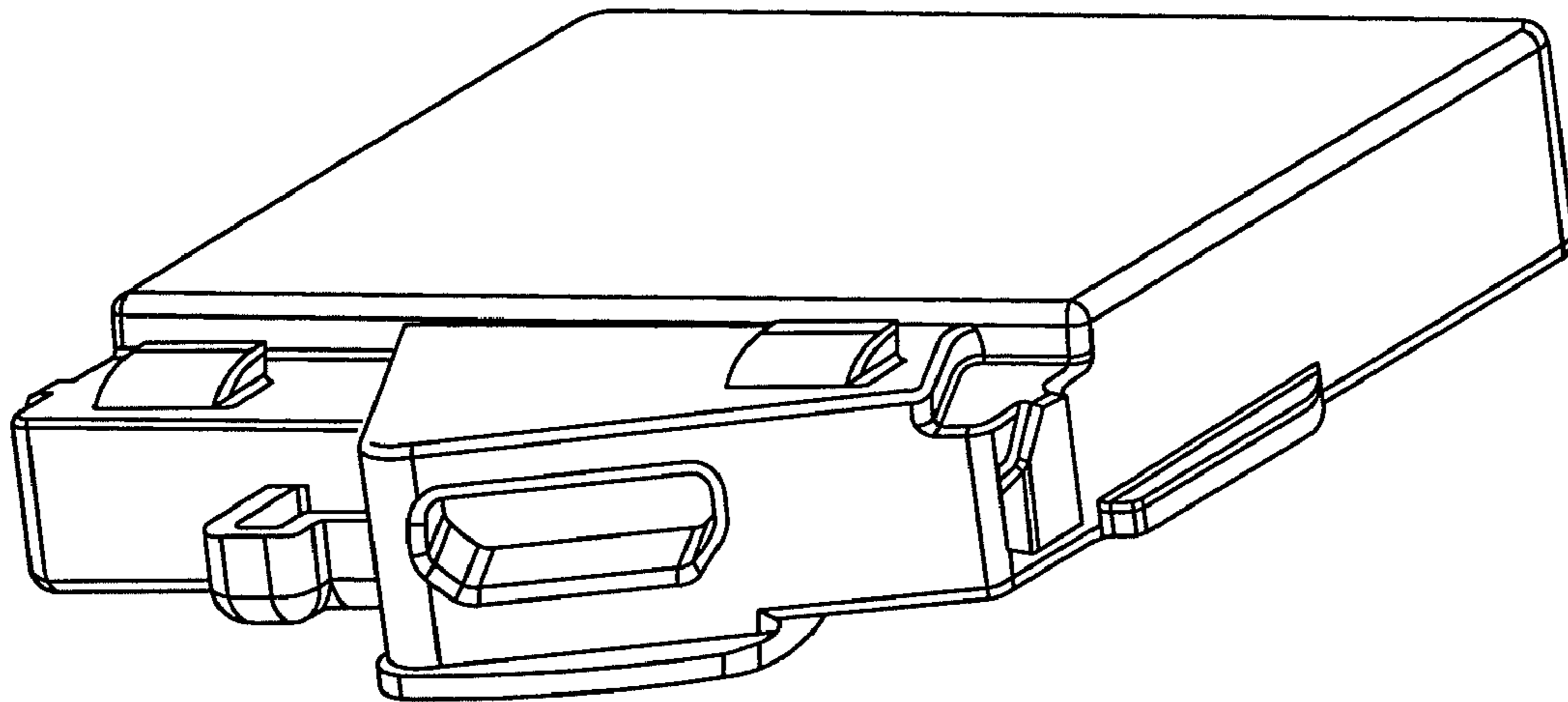
*FIG. 4*



*FIG. 5*



*FIG. 6*



*FIG. 7*