



US00D626494S

(12) **United States Design Patent**
Gates et al.

(10) **Patent No.:** **US D626,494 S**
(45) **Date of Patent:** **** Nov. 2, 2010**

- (54) **LATERALLY CUSHIONED ARTICLE HOLDER**
- (75) Inventors: **Travis D. Gates**, Riverton, UT (US);
Stacey L. Gates, Riverton, UT (US)
- (73) Assignee: **All Rite Products, Inc.**, West Jordan,
UT (US)
- (**) Term: **14 Years**
- (21) Appl. No.: **29/356,331**
- (22) Filed: **Feb. 24, 2010**
- (51) **LOC (9) Cl.** **12-16**
- (52) **U.S. Cl.** **D12/412**
- (58) **Field of Classification Search** D12/401-414,
D12/414.1, 89-93, 16, 96-100; D21/433-434,
D21/548, 552, 559, 561; D25/38, 43; D6/552,
D6/513, 567; 135/88.01, 95; 150/165-167,
150/158; 160/32, 26; 280/770; 296/136.01,
296/190.08, 190.01-190.02, 114-116, 77.1,
296/100.01-100.06, 98; 248/687, 688; D8/71
See application file for complete search history.

4,609,170 A	9/1986	Schnable	
D296,074 S	6/1988	Seyfarth	
D299,213 S	1/1989	Puntillo	
D299,247 S	1/1989	Shepard	
4,823,673 A	4/1989	Downing	
D306,553 S	3/1990	Rumpel	
4,943,183 A	7/1990	Nakano	
5,014,939 A	5/1991	Kraus et al.	
D322,200 S	12/1991	Pierce	
5,178,413 A	1/1993	King	
5,344,032 A *	9/1994	Ramsdell 211/64
5,346,165 A	9/1994	Frean et al.	
5,360,190 A	11/1994	Walker et al.	
D366,609 S	1/1996	McDonald	
D375,453 S	11/1996	Fleck	
D377,383 S	1/1997	Morocco	
D378,439 S	3/1997	Gary et al.	
5,609,415 A	3/1997	Protz, Jr.	
5,615,903 A	4/1997	Spear et al.	
D386,304 S	11/1997	Hancock	
5,697,181 A	12/1997	Savant	
D390,101 S	2/1998	Nygards	

(Continued)

Primary Examiner—Caron Veynar
Assistant Examiner—Katrina A Kile
(74) *Attorney, Agent, or Firm*—Thorpe North & Western LLP

(56) **References Cited**
U.S. PATENT DOCUMENTS

492,740 A	2/1893	Copeland	
D30,772 S	5/1899	Nichols	
2,578,067 A	12/1951	Jensen	
2,632,619 A	3/1953	Wilson	
2,721,680 A	10/1955	Steckman	
2,826,206 A	3/1958	Slater	
3,154,281 A	10/1964	Frank	
3,252,677 A	5/1966	Achille	
3,295,732 A	1/1967	Haven	
3,304,038 A	2/1967	Foster	
D227,742 S	7/1973	Logsdon	
3,905,570 A	9/1975	Nieuwveld	
D239,592 S	4/1976	Anderson	
D241,314 S	9/1976	Hug	
D250,631 S	12/1978	Stephenson	
D284,294 S	6/1986	Upton	
4,607,772 A *	8/1986	Hancock 224/442

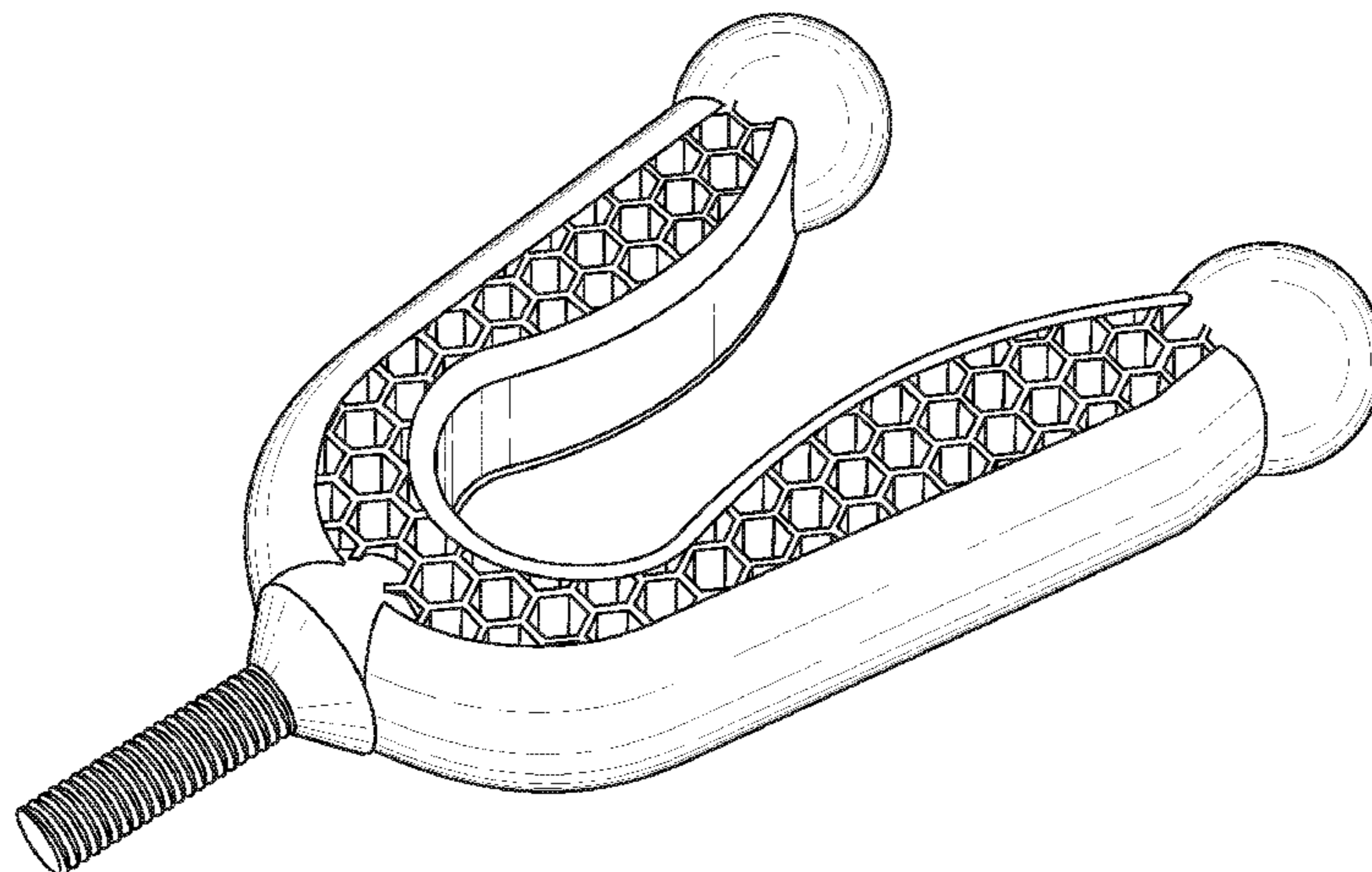
(57) **CLAIM**

The ornamental design for a laterally cushioned article holder, as shown.

DESCRIPTION

FIG. 1 is a perspective view of a laterally cushioned article holder in accordance with the present invention;
FIG. 2 is a front view thereof;
FIG. 3 is a rear view thereof;
FIG. 4 is a side view thereof;
FIG. 5 is an opposing side view thereof;
FIG. 6 is a top view thereof; and,
FIG. 7 is a bottom view thereof.

1 Claim, 5 Drawing Sheets



US D626,494 S

Page 2

U.S. PATENT DOCUMENTS

D400,064 S	10/1998	Tellez		6,637,707 B1	10/2003	Gates et al.	
5,915,572 A *	6/1999	Hancock	211/64	D481,930 S	11/2003	Hein	
5,957,352 A	9/1999	Gares		6,695,183 B2	2/2004	Hancock et al.	
D417,612 S	12/1999	Jones		6,793,109 B2	9/2004	Gates et al.	
D421,318 S	2/2000	O'Brien et al.		6,902,089 B2	6/2005	Carnevali	
6,029,874 A	2/2000	Meggitt		6,929,223 B2 *	8/2005	Hancock et al.	248/74.2
D435,284 S	12/2000	Sutula		D516,402 S	3/2006	Gates et al.	
6,186,383 B1	2/2001	Kobdish		D547,643 S *	7/2007	Ratajczek et al.	D8/395
6,189,753 B1	2/2001	Kalhok et al.		7,337,934 B2 *	3/2008	Alling et al.	224/401
D440,625 S	4/2001	Cook, Jr.		D598,689 S *	8/2009	McDonald	D6/552
6,397,507 B1	6/2002	Marshall et al.		D605,577 S *	12/2009	Maguire	D12/407
6,484,913 B1	11/2002	Hancock et al.		D605,578 S *	12/2009	Retief	D12/411
D470,937 S	2/2003	Gary et al.		7,681,768 B2	3/2010	Gates et al.	
D476,290 S *	6/2003	Gates et al.	D12/408	2002/0060232 A1	5/2002	Stenger et al.	
6,584,719 B1	7/2003	Morford		2003/0000981 A1	1/2003	Gates et al.	
6,588,637 B2	7/2003	Gates et al.		2003/0042283 A1	3/2003	Carnevali	
6,626,339 B2	9/2003	Gates et al.		2003/0168484 A1	9/2003	Gates et al.	
6,626,423 B2	9/2003	Doswell		2004/0113041 A1	6/2004	Hancock et al.	
				2006/0049656 A1 *	3/2006	Li	296/98

* cited by examiner

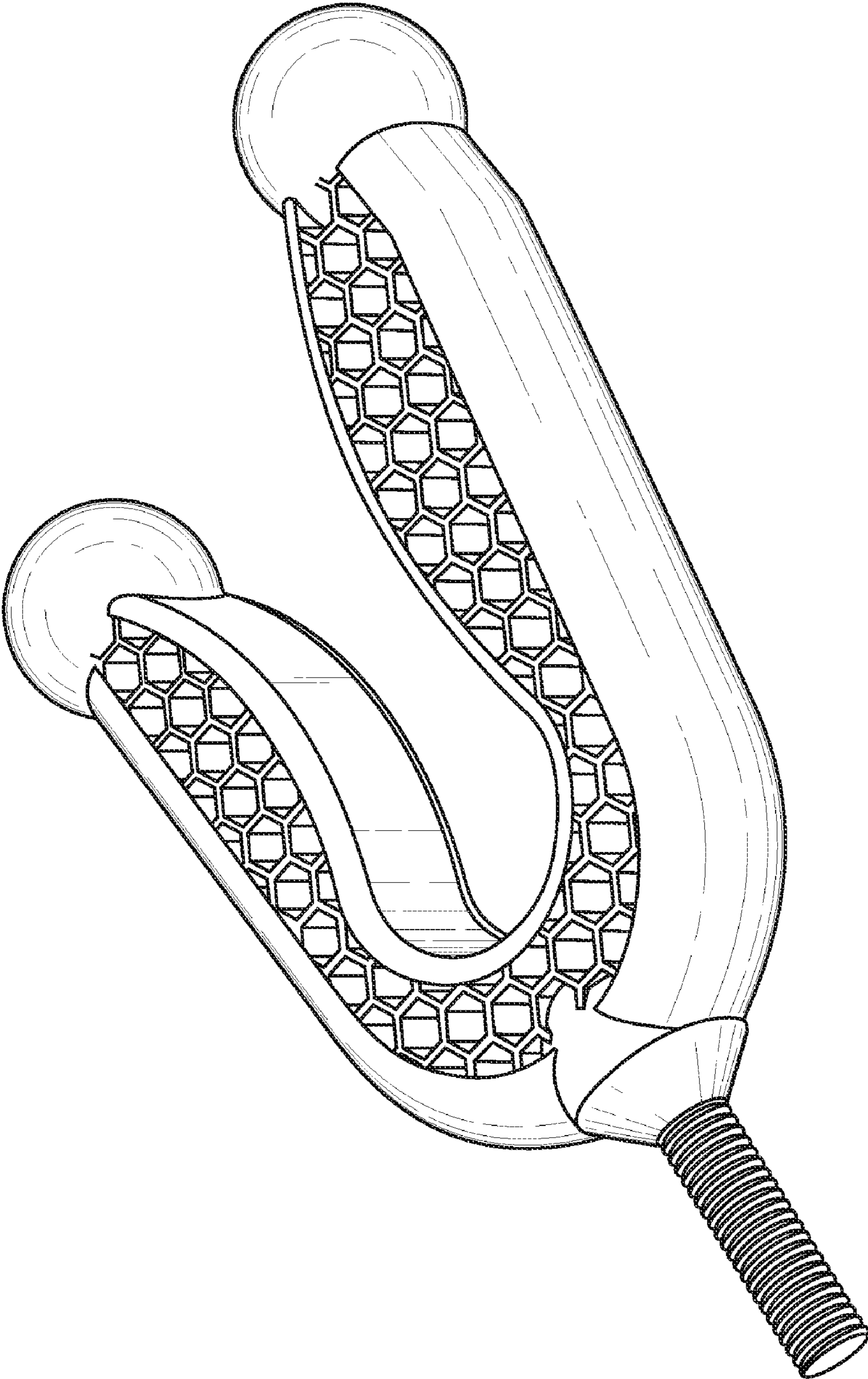


Fig. 1

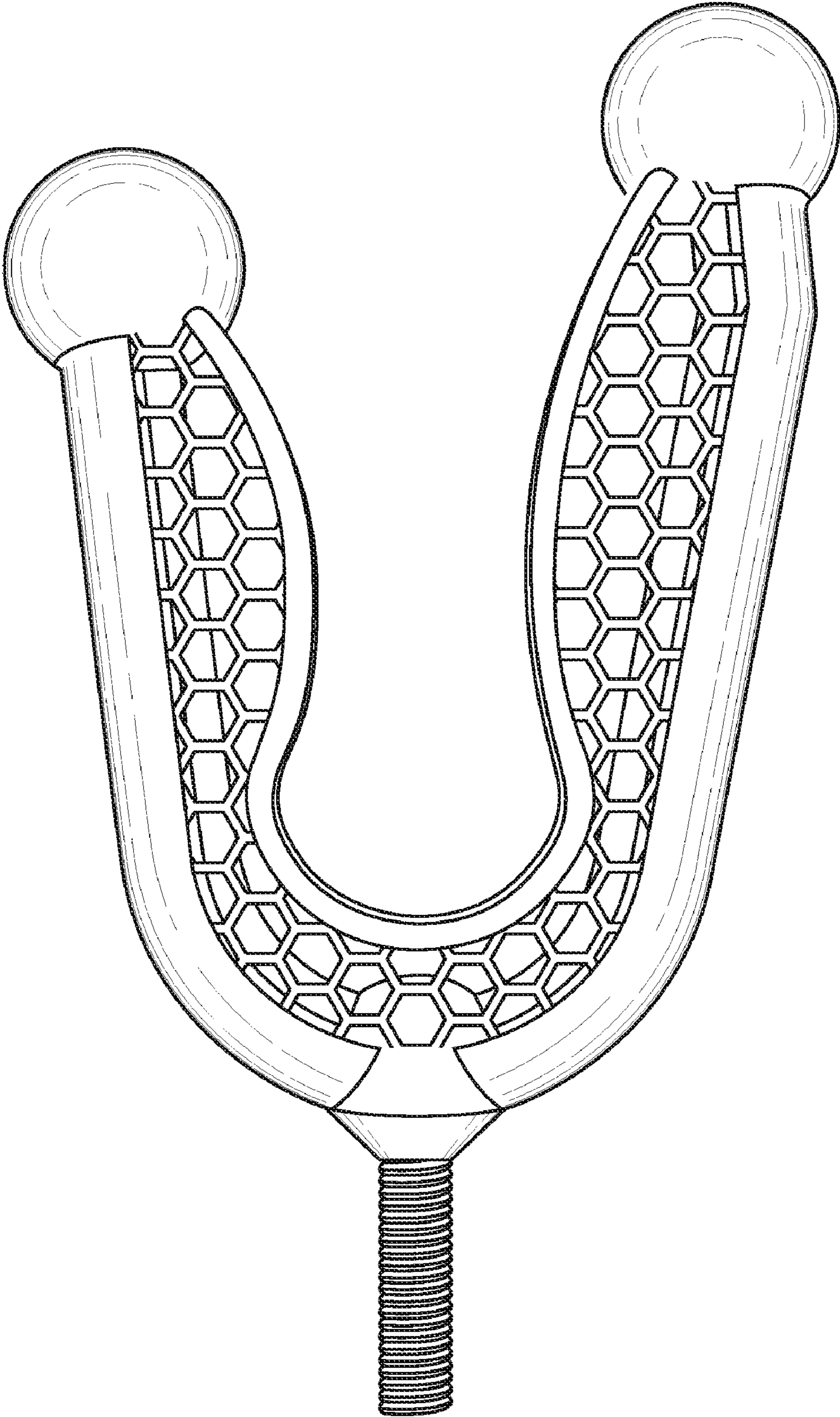


Fig. 2

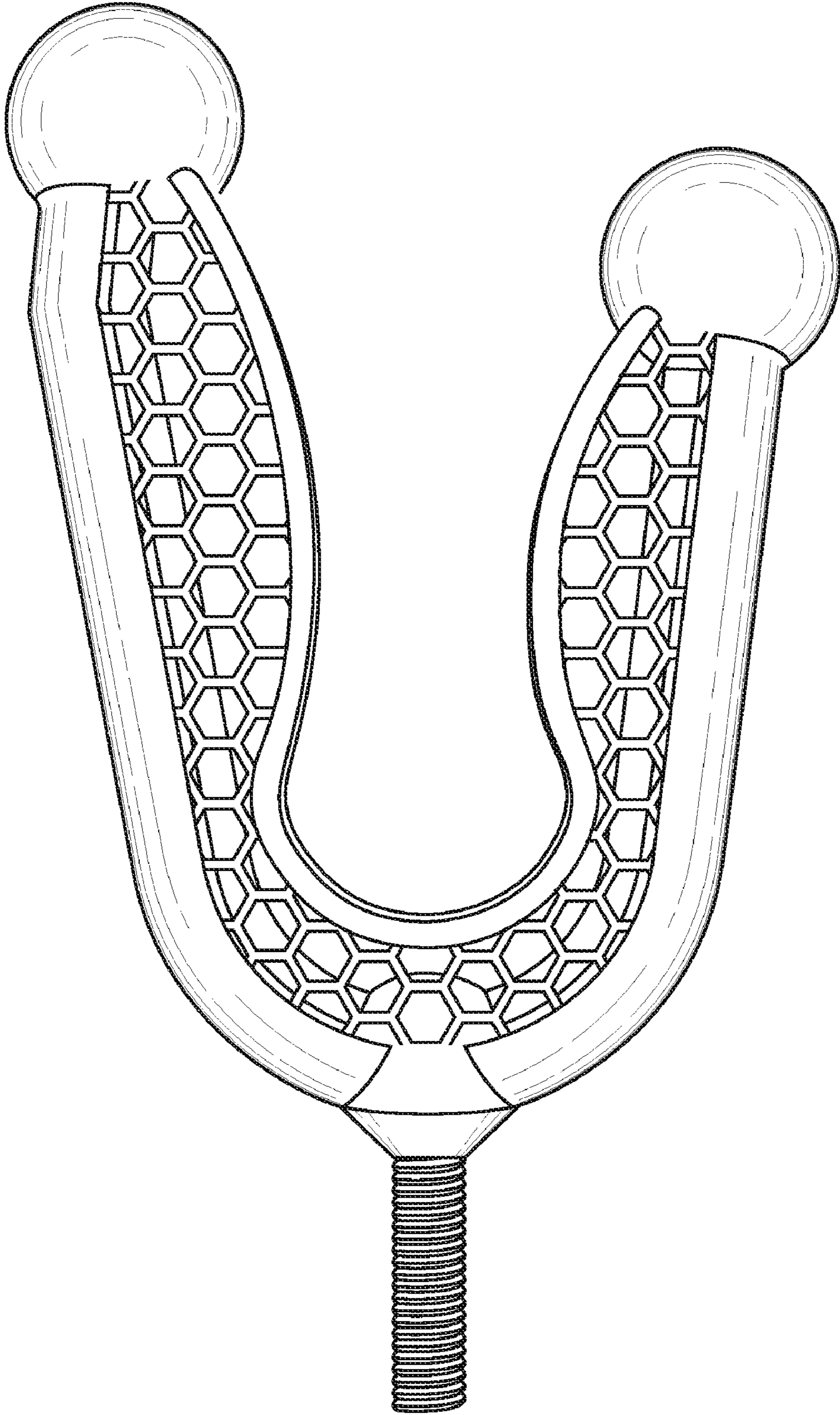


Fig. 3

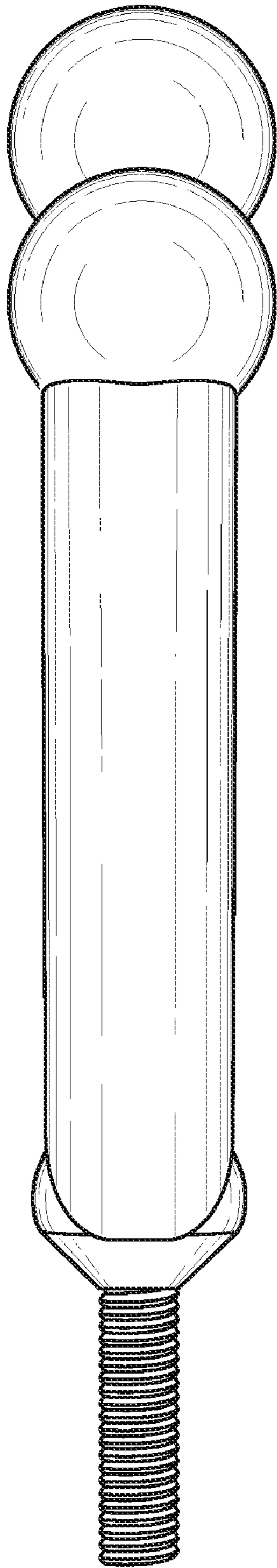


Fig. 4

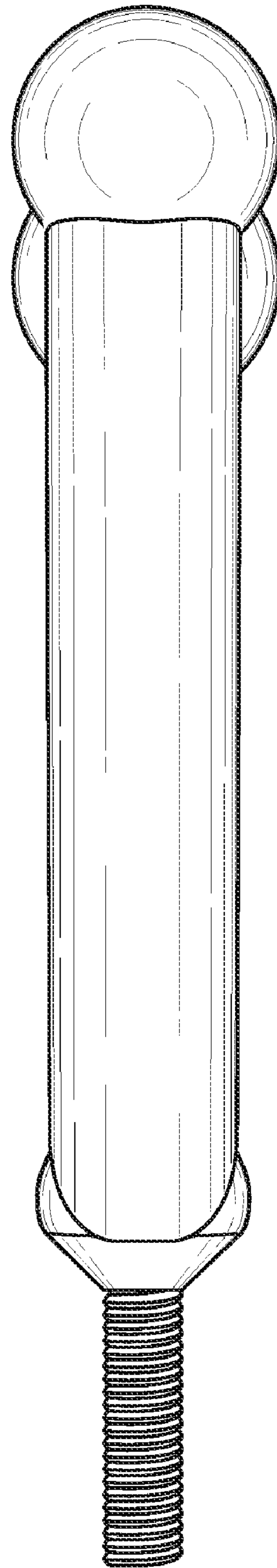


Fig. 5

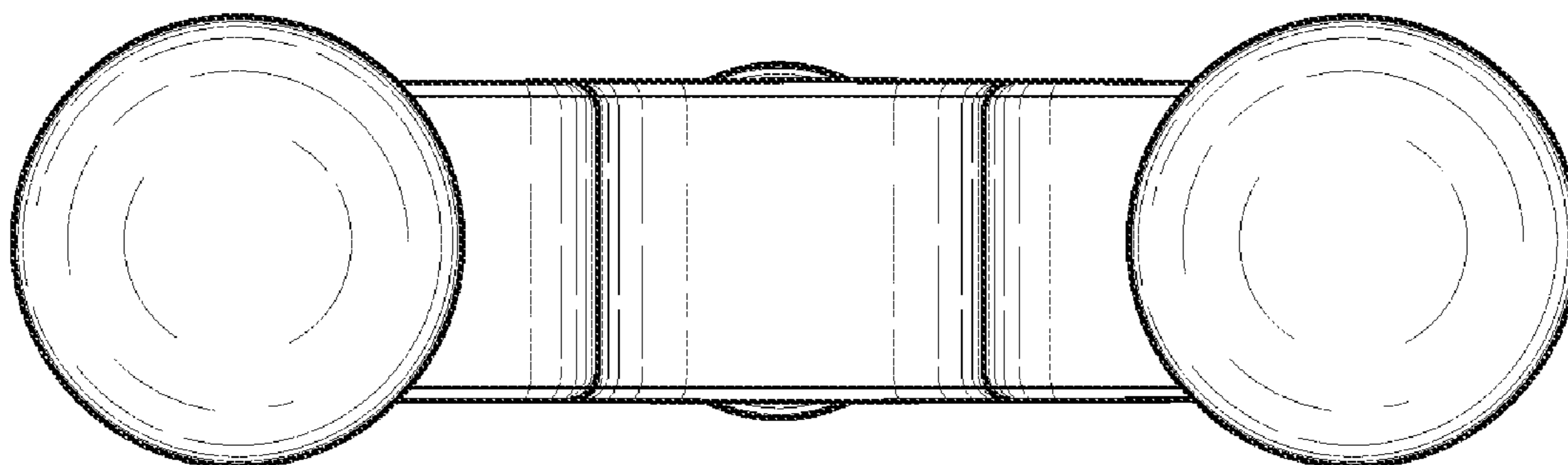


Fig. 6

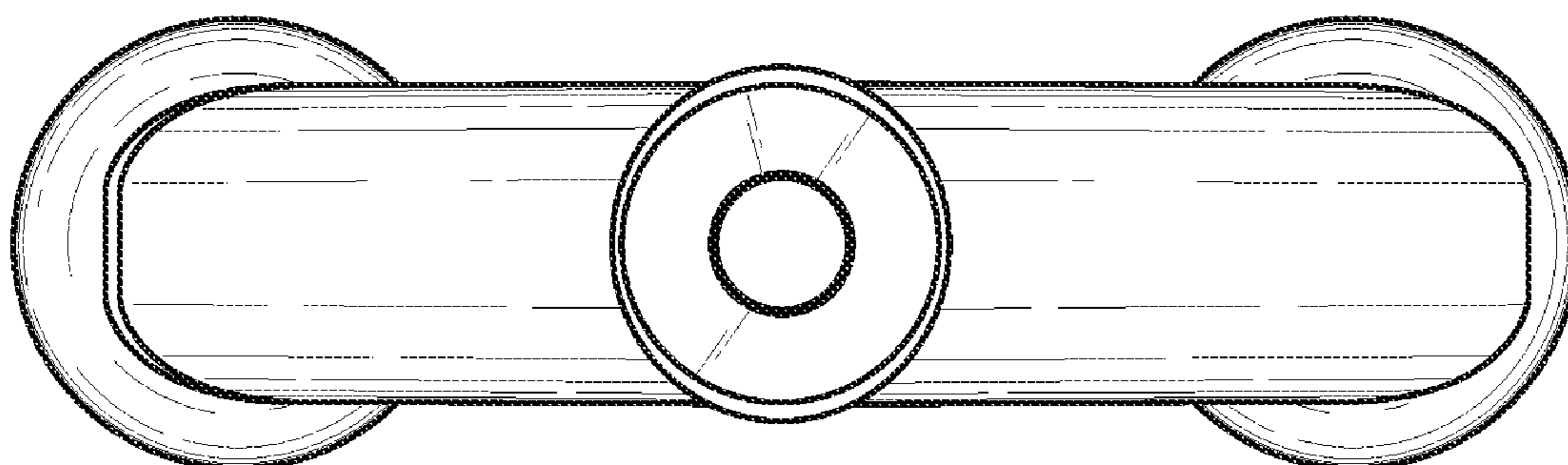


Fig. 7