



US00D626486S

(12) **United States Design Patent**  
**Jung et al.**

(10) **Patent No.:** **US D626,486 S**

(45) **Date of Patent:** **\*\* Nov. 2, 2010**

(54) **WHEEL**

(75) Inventors: **Chi Jung**, Torrance, CA (US);  
**Guillermo Gonzalez**, Lawndale, CA  
(US)

(73) Assignee: **Honda Motor Co., Ltd.**, Tokyo (JP)

(\*\*) Term: **14 Years**

(21) Appl. No.: **29/326,543**

(22) Filed: **Oct. 20, 2008**

(51) **LOC (9) Cl.** ..... **12-16**

(52) **U.S. Cl.** ..... **D12/209**

(58) **Field of Classification Search** ..... D12/204-213;  
301/37.101, 64.101, 65, 64.201

See application file for complete search history.

(56) **References Cited**

**U.S. PATENT DOCUMENTS**

D392,237 S *	3/1998	Kelley	.....	D12/209
D481,664 S *	11/2003	Vian	.....	D12/211
D497,865 S *	11/2004	Cahyono	.....	D12/209
D522,431 S *	6/2006	Hieke	.....	D12/209
D522,946 S *	6/2006	Hieke	.....	D12/209
D525,578 S	7/2006	Schell		

D528,494 S	9/2006	Osborne et al.	
D530,253 S	10/2006	Coutts	
D530,258 S	10/2006	Schell	
D540,236 S *	4/2007	Hamano	..... D12/209
D579,847 S *	11/2008	Hieke	..... D12/211
D585,803 S *	2/2009	Hieke	..... D12/209
D604,223 S *	11/2009	Dilber	..... D12/211
D618,607 S *	6/2010	Hilpert	..... D12/211
D620,869 S *	8/2010	Groom	..... D12/211

\* cited by examiner

*Primary Examiner*—Stacia Cadmus

(74) *Attorney, Agent, or Firm*—Plumsea Law Group, LLC;  
Mark E. Duell

(57) **CLAIM**

The ornamental design for a wheel, as shown and described.

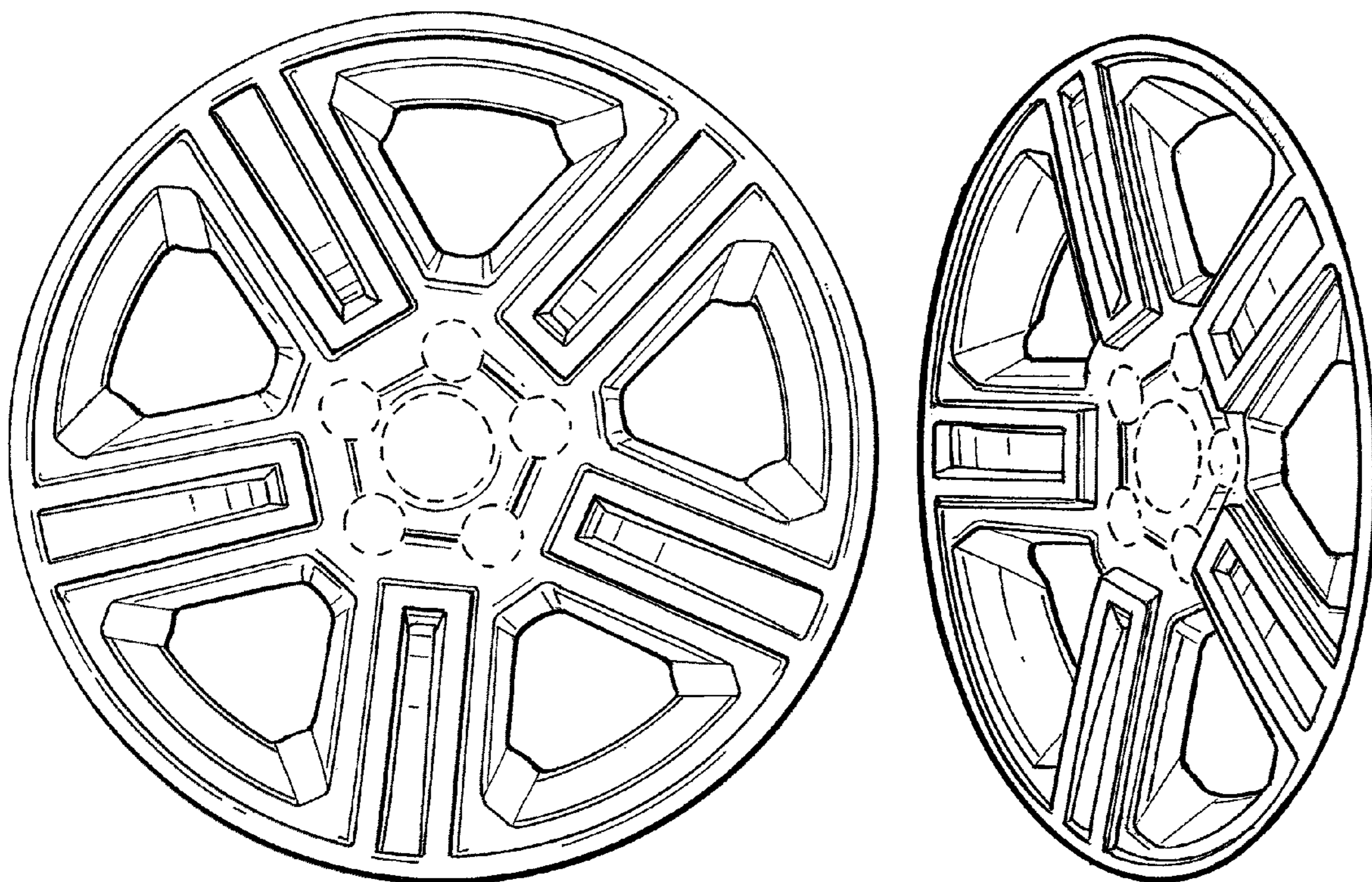
**DESCRIPTION**

FIG. 1 is a elevational view of a wheel showing our new design; and,

FIG. 2 is a perspective view thereof.

The broken line showings of the circles on the wheel hub depict environmental subject matter and form no part of the claimed design.

**1 Claim, 1 Drawing Sheet**



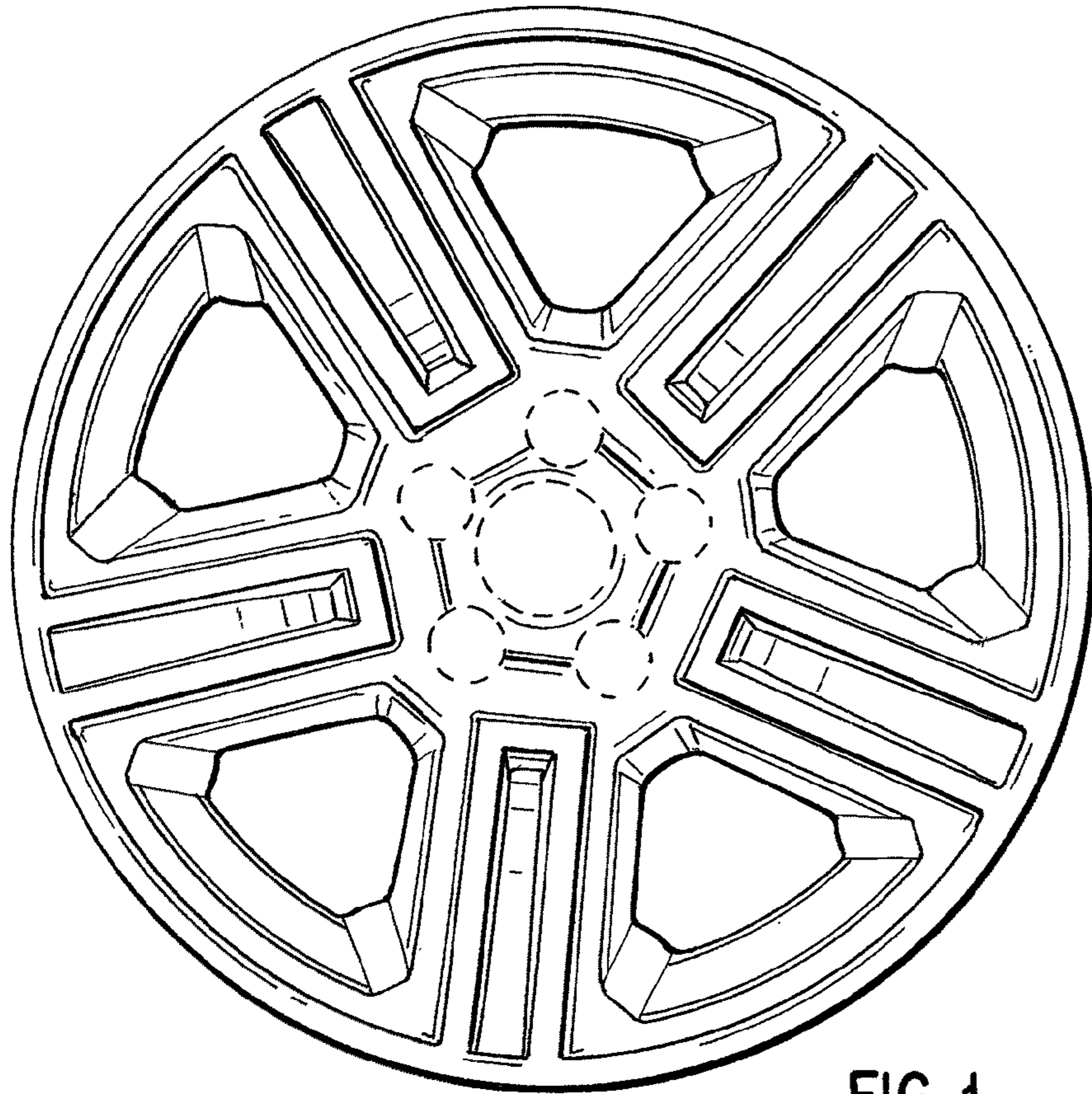


FIG. 1

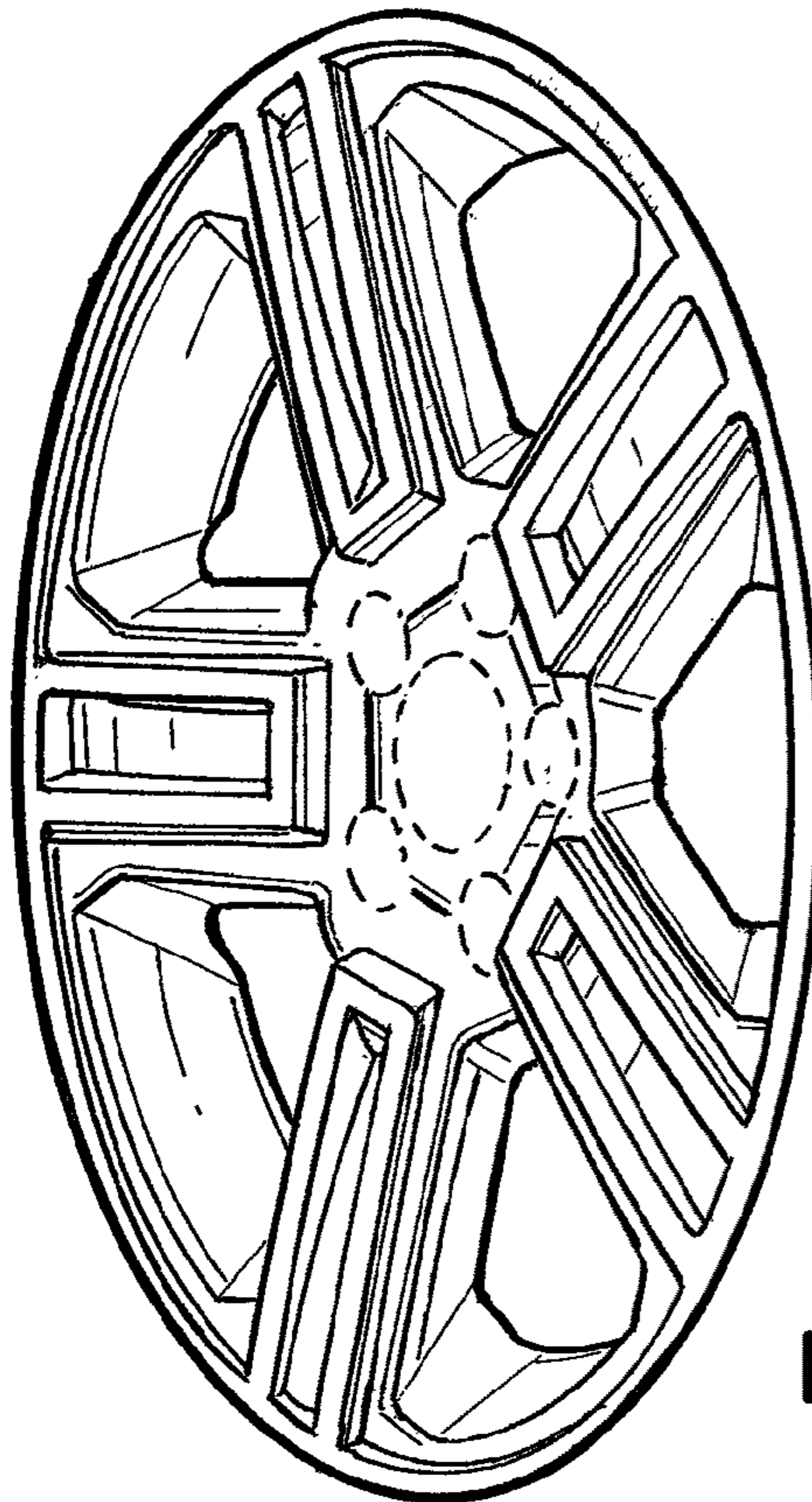


FIG. 2